



COLUMBIA

PAYLOADER

PARTS MANUAL

2024



Columbia Vehicle Group, Inc.
A Nordic Group Company | Business Ventures Since 1947



PREFACE

Welcome, and congratulations on your choice of vehicle from Columbia Vehicle Group! Your vehicle has been designed and manufactured to conform to applicable sections of ANSI B56.8. Your safe use and operation of your vehicle is important to us. Any alteration of your Columbia vehicle that results in the vehicle being in noncompliance with applicable ANSI standards is strictly prohibited. Columbia Vehicle Group is not responsible or liable for any damage that results from any such alteration, and all warranties for any such altered vehicles are null and void.

Personal Transport Vehicles (PTV) are not designed for over-the-road use. They do not conform to Federal Motor Vehicle Safety Standards or EPA regulations, and are not equipped for operation on public streets, roads, or highways.

Low Speed Vehicles (LSV) commonly referred to as NEV or Neighborhood Electric Vehicles meet the requirements of the National Highway Traffic & Safety Administration (NHTSA) as stated in the Code of Federal Regulations, Title 49, Part 571, Standard 500, Low Speed Vehicles.

To the best knowledge of Columbia Vehicle Group, the material contained herein is accurate as of the date this publication was approved for printing. Columbia Vehicle Group is not liable for errors in this manual or for incidental or consequential damages that result from the use of the material in this manual. Columbia Vehicle Group reserves the right to change specifications, equipment or designs at any time without notice and without incurring obligation.

This manual contains proprietary information that is protected by copyright. All rights are reserved. No part of this manual may be photocopied, reproduced, or translated to another language without the written consent of Columbia Vehicle Group. Columbia Vehicle Group products are manufactured under one or more of the following U.S. Patents - 2986162, 2987934, 3116089, 3144631, 3144860, 3229792, 3434887, 3559773, 3673359, 3680403, 3683716, 3709317, 4648473, Des. 225626.



Table of Contents

**Section
Tab** **Page**

SECTION 1 BRAKES

1.01 6

Pedal Accelerator

1.02 7

Brake Pedal

1.04 9

Hydraulic Brake Components

1.05 10

Parking Brake

1.11 16

Handbrake

1.12 21

Front Brake Hub

1.14 23

Rear Brake Hub

1.15 24

Rear Brake Line Hardware

1.16 25

SECTION 2 FRONT SUSPENSION / STEERING

2.01 34

Front Suspension

2.02 35

Front Axle

2.02 36

Front Suspension Springs

2.09 43

Front Axle Assembly

2.10 44

Front Axle Steering

2.11 45

Steering Column Assembly

2.12 46

Steering Wheel

2.13 47

SECTION 3 REAR SUSPENSION / DRIVE TRAIN

3.01 50

48V Motor

3.02 51

5KW Motor

3.03 52

8KW Motor

3.04 53

Rear Suspension With 5KW Motor

3.05 54

Rear Suspension Motor Hardware

3.07 57

Rear Suspension Springs

3.08 59

Rear Suspension

3.10 61

LY Axle Components

3.11 66

SECTION 4 WHEELS

4.01 72

Wheels

4.02 73

SECTION 5 BODY

5.01 75

Cab

5.02 76

Cab Without Doors

5.04 78

Cab Doors	5.05	79
Cab Doors & Hardware	5.06	80
Deck Covers	5.10	84
Bucket Seats	5.16	90
Cab Armrests	5.17	91
Folding Seat	5.18	92
Bench Seat	5.19	93
Seat Board	5.20	94
Seat Belts	5.21	95
Reflectors	5.23	97
Grip Mat	5.24	98

SECTION 6 ELECTRICAL	6.01	99
-----------------------------	------	----

Wiring Cover	6.02	100
Speedometer	6.03	101
Non-Removable Key, FWD/REV Switch	6.04	102
Horn	6.05	103
Horn Switch	6.06	104
Charger Cord With Cleat	6.08	106
Lights	6.10	108
Chargers	6.12	110
Charger Plug	6.15	113
Charger Display	6.16	114
Charger Cord Reel	6.17	115
12V Power Outlet	6.19	117
USB Charger Port	6.20	118
12V Accessories Harness	6.21	119
Battery Watering System	6.28	126
36V Battery Tray	6.29	127
48V Battery Tray	6.34	132
Power Switch A	6.38	136
Power System	6.39	137
AC Control	6.40	138
DC/DC Converter	6.43	140
DC Control Panel	6.44	141
DC Control Channel Mount	6.45	142
Power Switch	6.47	144
Turn Switch	6.48	145
Transfer Stand	6.49	146
BDI Meter	6.52	149
Hour Meter	6.53	150
Telematics	6.55	152

SECTION 7 ACCESSORIES	7.01	154
------------------------------	------	-----

Rear Hitch Mounting Plate	7.02	155
Pintle Hitch	7.03	156
Ball-less Hitch	7.04	157
1 7/8" Ball	7.05	158
2" Ball	7.06	159
Front Receiver Hitch	7.07	160
5 Panel Rear View Mirrors	7.08	161
Side View Mirrors	7.10	163
Strobe Light	7.11	164
Cargo Van	7.16	169
Rear Inner Fenders	7.17	170
Dome Light	7.18	171
Dump Bed	7.21	173
Windshield Wiper	7.25	177
Heater/Blower	7.27	179
Overhead Rack	7.28	180
Rack, Full Top	7.30	182
Rack, Operator Top	7.33	185
Operator Top	7.35	187
Full Top	7.36	188
Suntop	7.37	189
Steel Bulkhead	7.38	190
Folding Sides	7.40	192
Tinted Acrylic Windshield	7.45	197
Cup Holders	7.46	198
Keypad	7.47	199
Clear View+Digital BDI	7.48	200



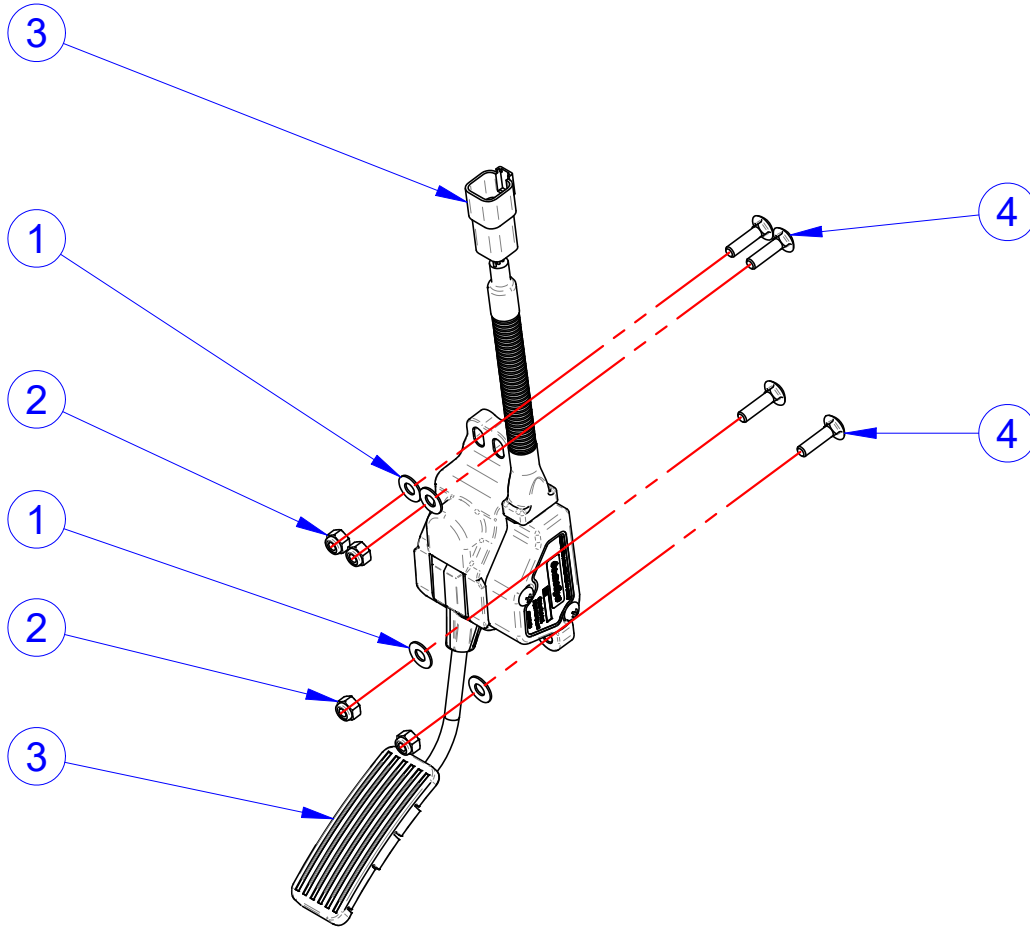
COLUMBIA

PAYLOADER

PARTS MANUAL SECTION 1

BRAKES

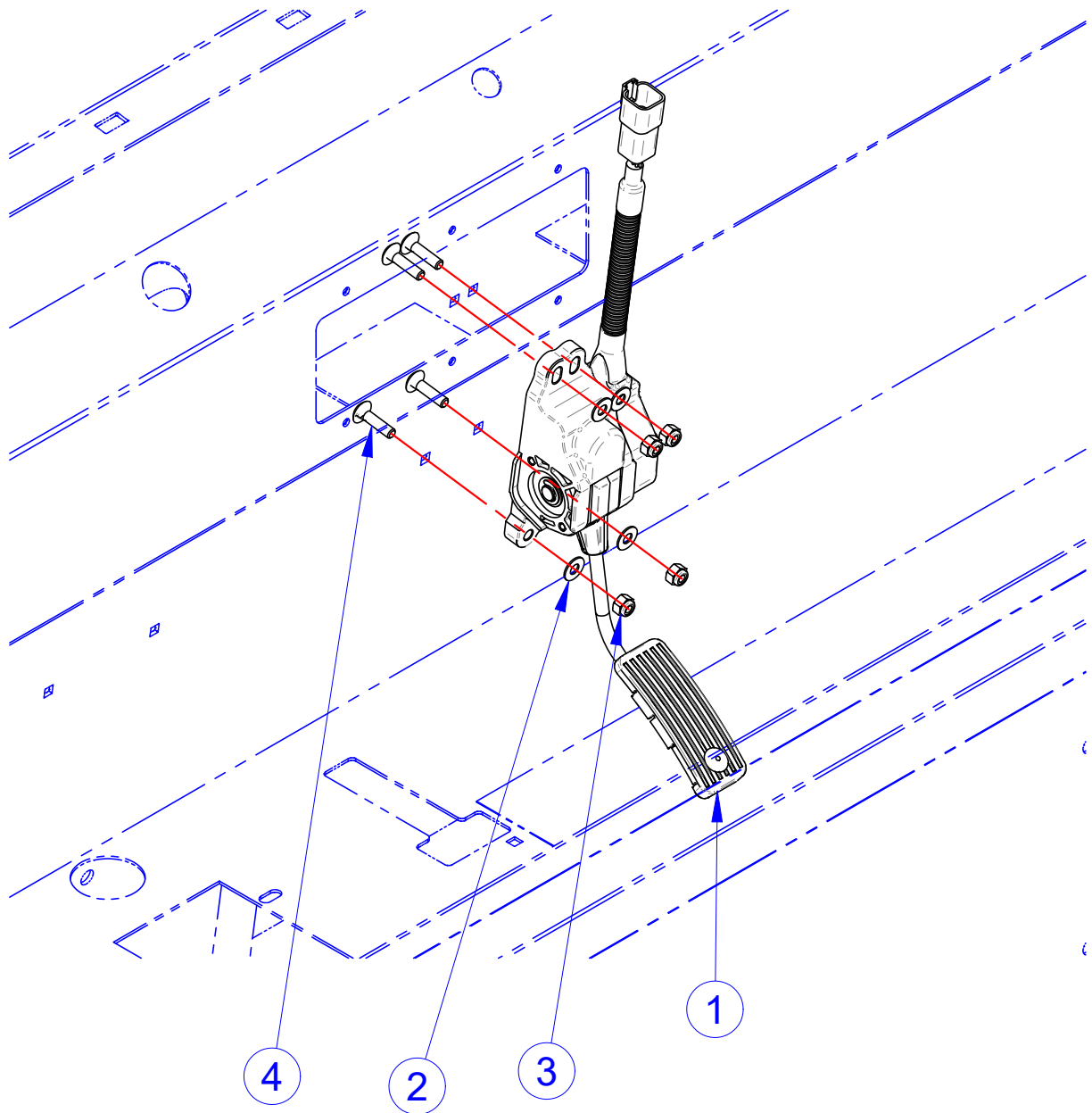
PEDAL ACCELERATOR



ITEM	PART #	DESCRIPTION	QTY	REF #
1	708511	WASHER, FLAT, 1/4", 18-8SS	4	708511
2	719876	NUT, 1/4-20, L/N, NYL, NE, 316, S/S	4	719876
3	468031	ASM, PEDAL ACLTR DEVICE (PAD) AHERN	1	468031
4	782803	SCREW, 1/4-20X1, CARR, 18-8 SS	4	782803

NOTE: Items with * in tables indicates parts not shown in drawing

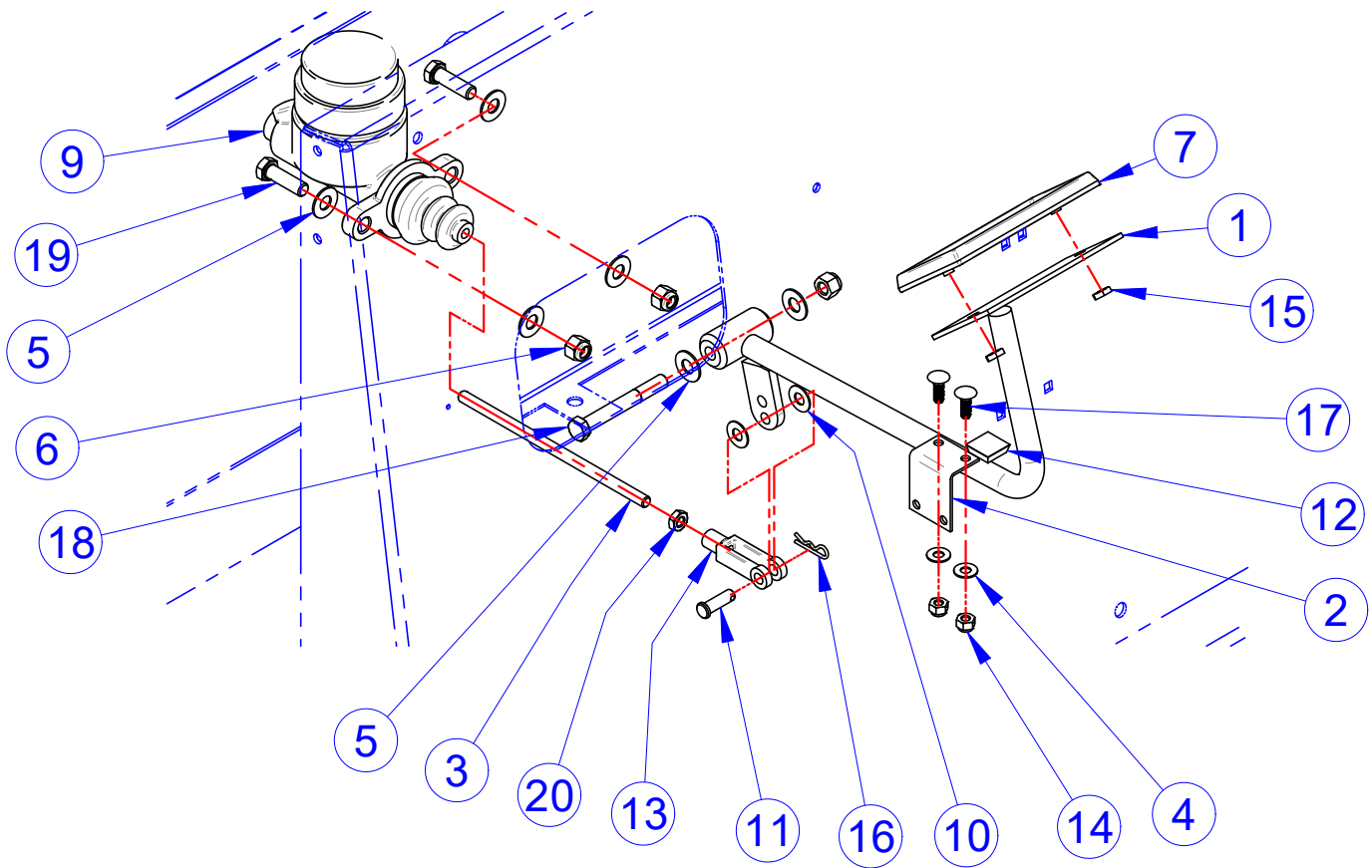
ACCELERATOR PEDAL



ITEM	PART #	DESCRIPTION	QTY	REF #
1	468031	ASSY, PEDAL ACLTR DEVISE	1	468031
2	708511	WASHER, FLAT, 1/4", 18-8SS	4	708511
3	719876	NUT, 1/4-20, L/N, NYL, NE, 316, S/S	4	719876
4	782803	SCREW, 1/4-20X1, CARR, 18-8 SS	4	782803

NOTE: Items with * in tables indicates parts not shown in drawing

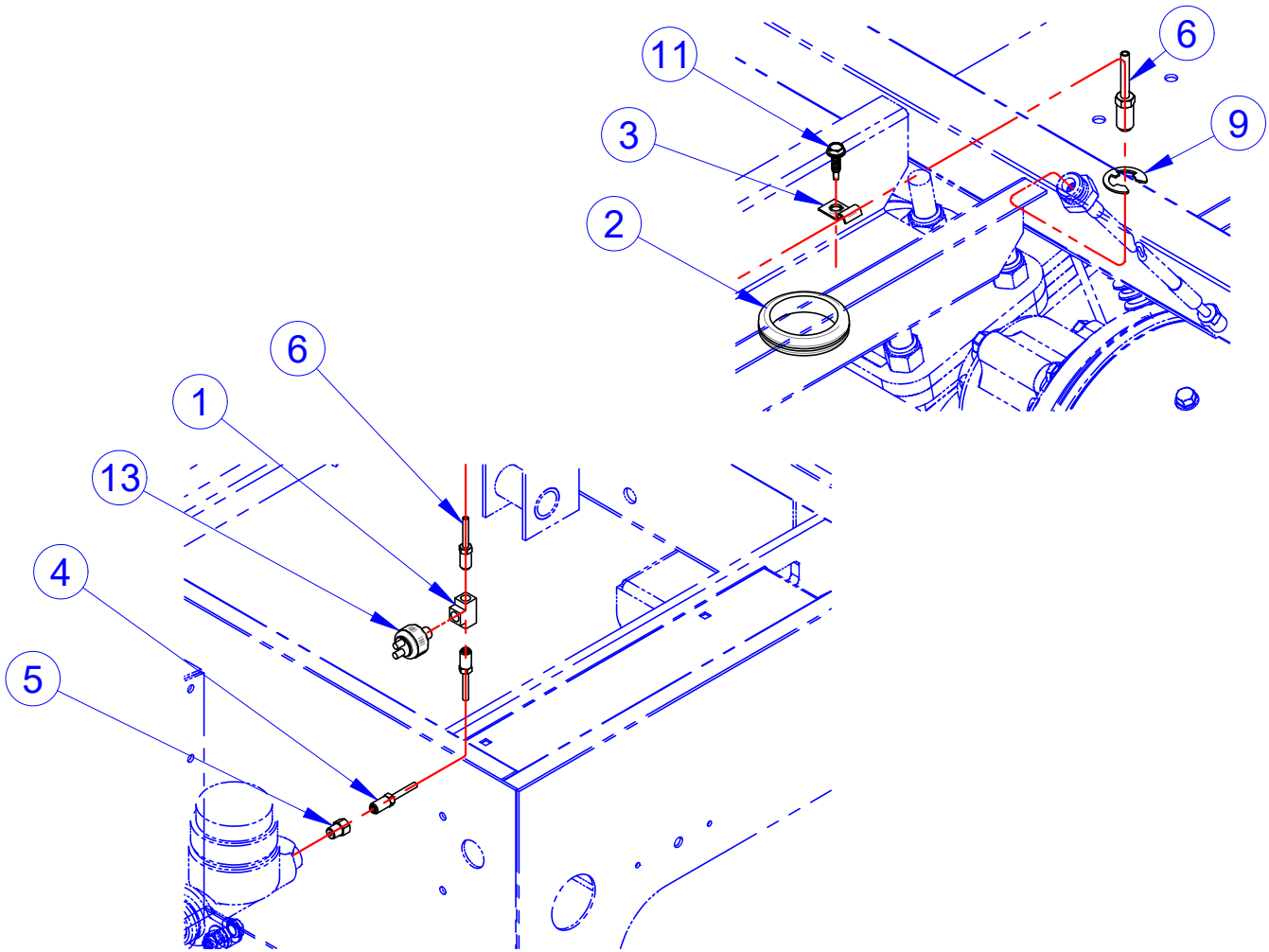
BRAKE PEDAL



ITEM	PART #	DESCRIPTION	QTY	REF #
1	193714U	P&A KIT, BRAKE PEDAL, PL	1	193714U
2	510372	BRAKE SPR RETURN MTG. BRKT.	1	510372
3	518963	ROD, BRAKE PEDAL / MASTER CYL, PL	1	518963
4	708511	WASHER, FLAT, 1/4", 18-8SS	2	708511
5	708859	WASHER, 3/8, STD, FW, 18-8SS	6	708859
6	708860	NUT, 3/8-16, L/N, NYL, NE, 18-8, S/S	3	708860
7	709048	PAD, BRAKE PEDAL "STOP"	1	709048
8*	709745	SPRING, BRAKE RETURN, 3/4X5	1	709745
9	468123	P&A, BC4 MASTER CYLINDER	1	468123
	709780	MASTER CYLINDER, BC	1	709780
10	719375	WSHR, 5/16X0.75X0.040, F/W, 18-8S/S	2	719375
11	719709	PIN, 5/16X1, CLEVIS, ZC	1	719709
12	719738	BUMPER BLACK 3M#SJ5023	1	719738
13	719852	CLEVIS, #52, 5/16-24, ADJ YOKE END, ZC	1	719852
14	719876	NUT, 1/4-20, L/N, NYL, NE, 316, S/S	2	719876
15	719922	NUT SELF-THR BLK ZINC PALNUT SR250	2	719922
16	781700	HAIR PIN CLIP, #13, SS	1	781700
17	781739	SCR, 1/4-20 X 0.75, CARR, 18-8, S/S	2	781739
18	782713	SCR, 3/8-16 X 3, HHCS, 18-8, S/S	1	782713
19	782787	SCREW, 3/8-16X1.25, HHCS, 18-8SS	2	782787
20	782790	NUT, 5/16-24, JAM, 18-8SS	1	782790

NOTE: Items with * in tables indicates parts not shown in drawing

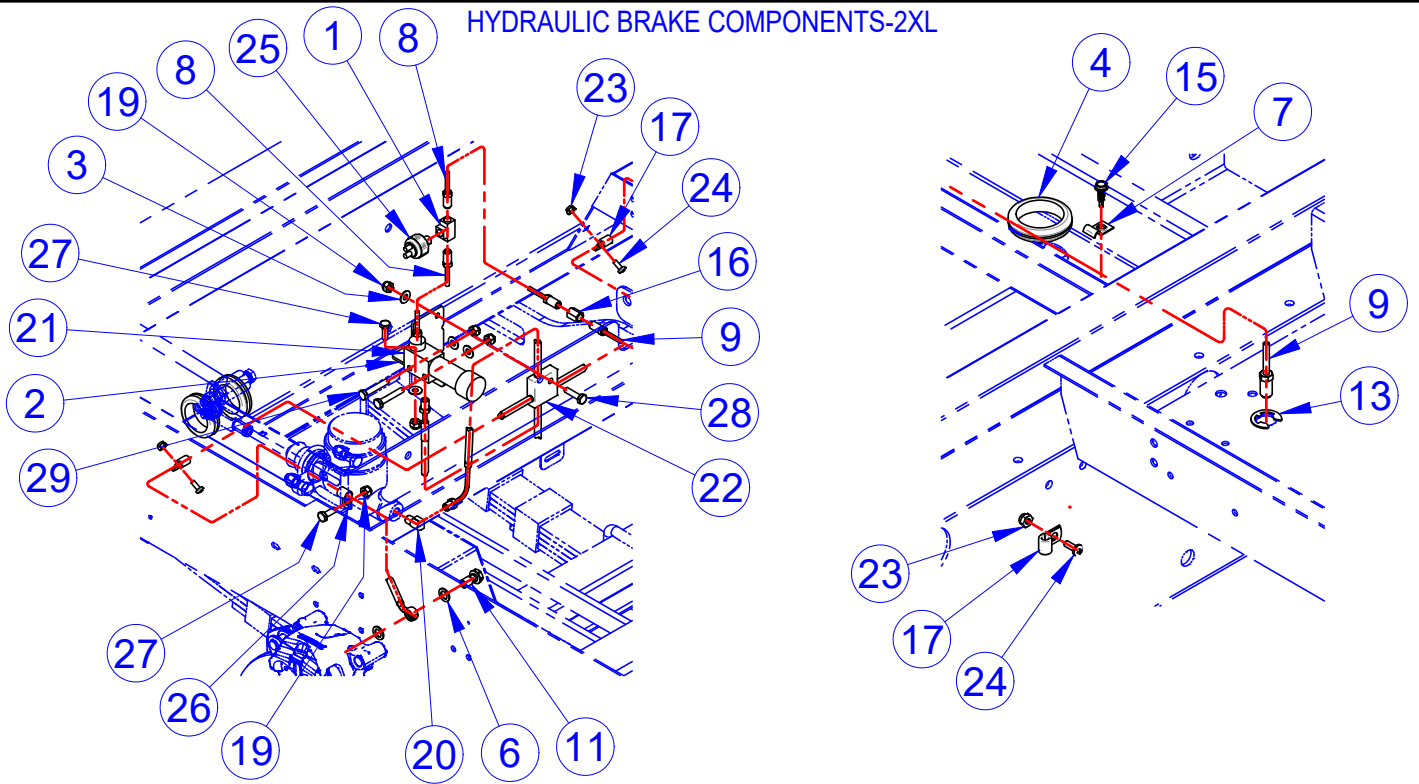
HYDRUALIC REAR BRAKES 2XL



ITEM	PART #	DESCRIPTION	QTY	REF #
1	508959	CONNECTOR, 3-WAY SWITCH	1	508959
2	709346	GROMMET, 1-1/2"ID, 1/16"X1-3/4" HOLE	3	709346
3	709409	PIPE STRAP	3	709409
4	709607	BRAKE LINE, 3/16 X 12	1	709607
5	709618	CONNECTOR, BRASS, 3-1/2 MALE	1	709618
6	709727	BRAKE LINE, 3/16 X 60	1	709727
7*	719355	MOLDING, BLACK	1	719355
8*	719433	LOOM,.625"XSLIT,POLY,BLACK	0.67	719433
9	761649	E-RING, 625,SS	1	761649
10*	719523	GROMMET, 1-1/2"ID, 3/16"X1-3/4" HOLE	2	719523
11	719583	SCREW, 10-16X3/4,HWH,TEK,MAG525	3	719583
12*	719831	TERMINAL 16/14 INS .156 FEM BULLET	2	719831
13	194990U	P&A, KIT, BRAKE LIGHT SWITCH	1	194990U

NOTE: Items with * in tables indicates parts not shown in drawing

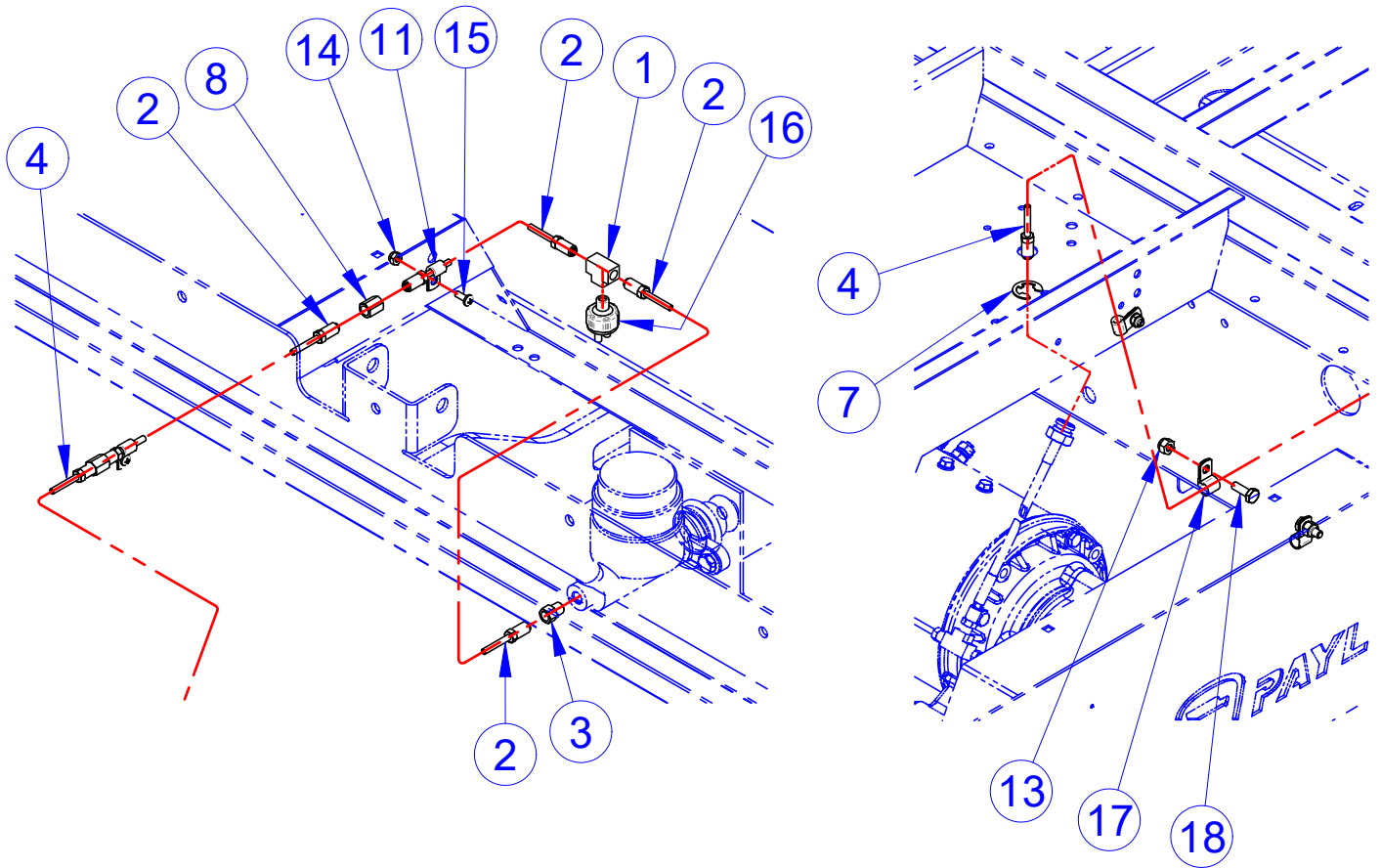
HYDRAULIC BRAKE COMPONENTS-2XL



ITEM	PART #	DESCRIPTION	QTY	REF #
1	508959	CONNECTOR, 3-WAY SWITCH	1	508959
2	516897	BC BRAKE BRKT	1	516897
3	708511	WASHER, FLAT, 1/4", 18-8SS	4	708511
4	709346	GROMMET, 1-1/2"ID, 1/16"X1-3/4" HOLE	3	709346
5*	709377	UNION TEE, 3/16",HYD BRAKE TUBE	1	709377
6	709387	GASKET-BRAKE FITTING, COPPER	4	709387
7	709409	PIPE STRAP	2	709409
8	709607	BRAKE LINE, 3/16 X 12	2	709607
9	709727	BRAKE LINE, 3/16 X 60	1	709727
10*	719355	MOLDING, BLACK	1	719355
11	719423	BOLT, BANJO, M10 X 1.25 X 20 MM	2	719423
12*	719433	LOOM,.625"XSLIT,POLY,BLACK	0.67	719433
13	761649	E-RING, 625,SS	1	761649
14*	719523	GROMMET, 1-1/2"ID, 3/16"X1-3/4" HOLE	2	719523
15	719583	SCREW,10-16X3/4,HWH,TEK,MAG525	2	719583
16	719657	FLARE, UNION INVERTED 3/16	1	719657
17	719756	CLAMP,1/4",STL TUBE,VINYL CUSHION	6	719756
18*	719831	TERMINAL 16/14 INS .156 FEM BULLET	2	719831
19	719876	NUT, 1/4-20, L/N, NYL, NE, 316, S/S	6	719876
20	729907	ELBOW,#402X3,HEAVY WALL,MALE	1	729907
21	761056	VALVE, PROPORTIONING,BRAKE	1	761056
22	761262	HARNESS, BRAKE, FRONT, SU5	1	761262
23	761631	NUT, #10-24 GRD 18-8 NM SS NYLOCK	6	761631
24	761632	SCREW, #10-24X1/2" PPH GRD 18-8 SS	6	761632
25	194990U	P&A, KIT, BRAKE LIGHT SWITCH	1	194990U
26	782210	CLAMP, 3/8, STL TUBE, VINYL CUSHION	2	782210
27	782784	SCREW, 1/4-20X3/4,HHCS,18-8SS	3	782784
28	782785	SCREW, 1/4-20X1.0,HHCS,18-8SS	1	782785
29	782792	SCREW, 1/4-20 X 1 1/2" HEX CAP SS 18-S	2	782792

NOTE: Items with * in tables indicates parts not shown in drawing

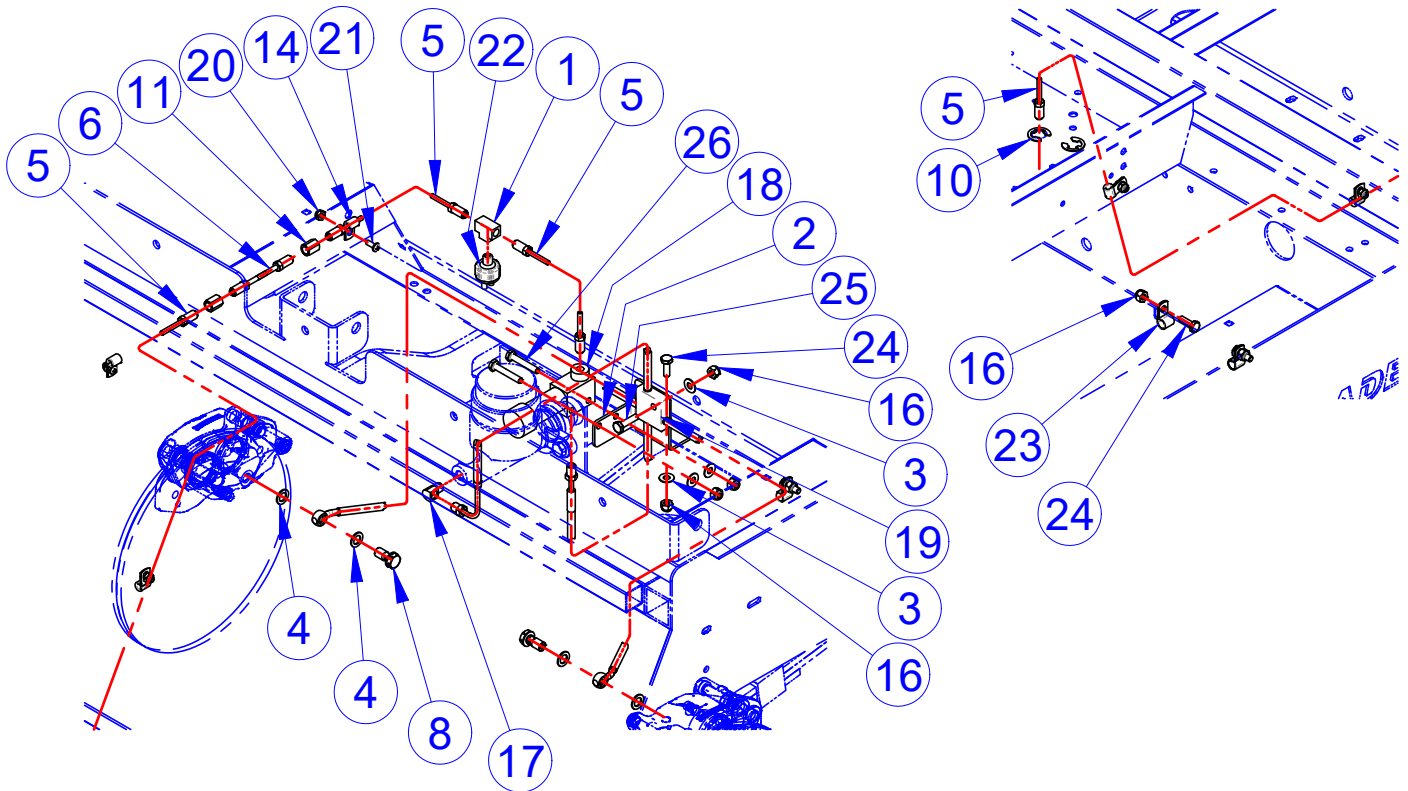
HYDRAULIC BRAKE COMPONENTS-4X



ITEM	PART #	DESCRIPTION	QTY	REF #
1	508959	CONNECTOR, 3-WAY SWITCH	1	508959
2	709607	BRAKE LINE, 3/16 X 12	3	709607
3	709618	CONNECTOR, BRASS, 3-1/2 MALE	1	709618
4	709727	BRAKE LINE, 3/16 X 60	1	709727
5*	719355	MOLDING, BLACK	1.00	719355
6*	719433	LOOM, .625"XSLIT,POLY,BLACK	0.67	719433
7	761649	E-RING, 625,SS	1	761649
8	719657	FLARE, UNION INVERTED 3/16	2	719657
9*	719690	WIRE, 10GA, BLACK	7.00	719690
10*	719691	WIRE, 10GA, RED	3.50	719691
11	719756	CLAMP, 1/4",STL TUBE,VINYL CUSHION	7	719756
12*	719831	TERMINAL 16/14 INS .156 FEM BULLET	2	719831
13	719876	NUT, 1/4-20, L/N, NYL, NE, 316, S/S	2	719876
14	761631	NUT, #10-24 GRD 18-8 NM SS NYLOCK	7	761631
15	761632	SCREW, #10-24X1/2" PPH GRD 18-8 SS	7	761632
16	194990U	P&A, KIT, BRAKE LIGHT SWITCH	1	194990U
17	782210	CLAMP, 3/8, STL TUBE, VINYL CUSHION	2	782210
18	782784	SCREW, 1/4-20X3/4,HHCS,18-8SS	2	782784

NOTE: Items with * in tables indicates parts not shown in drawing

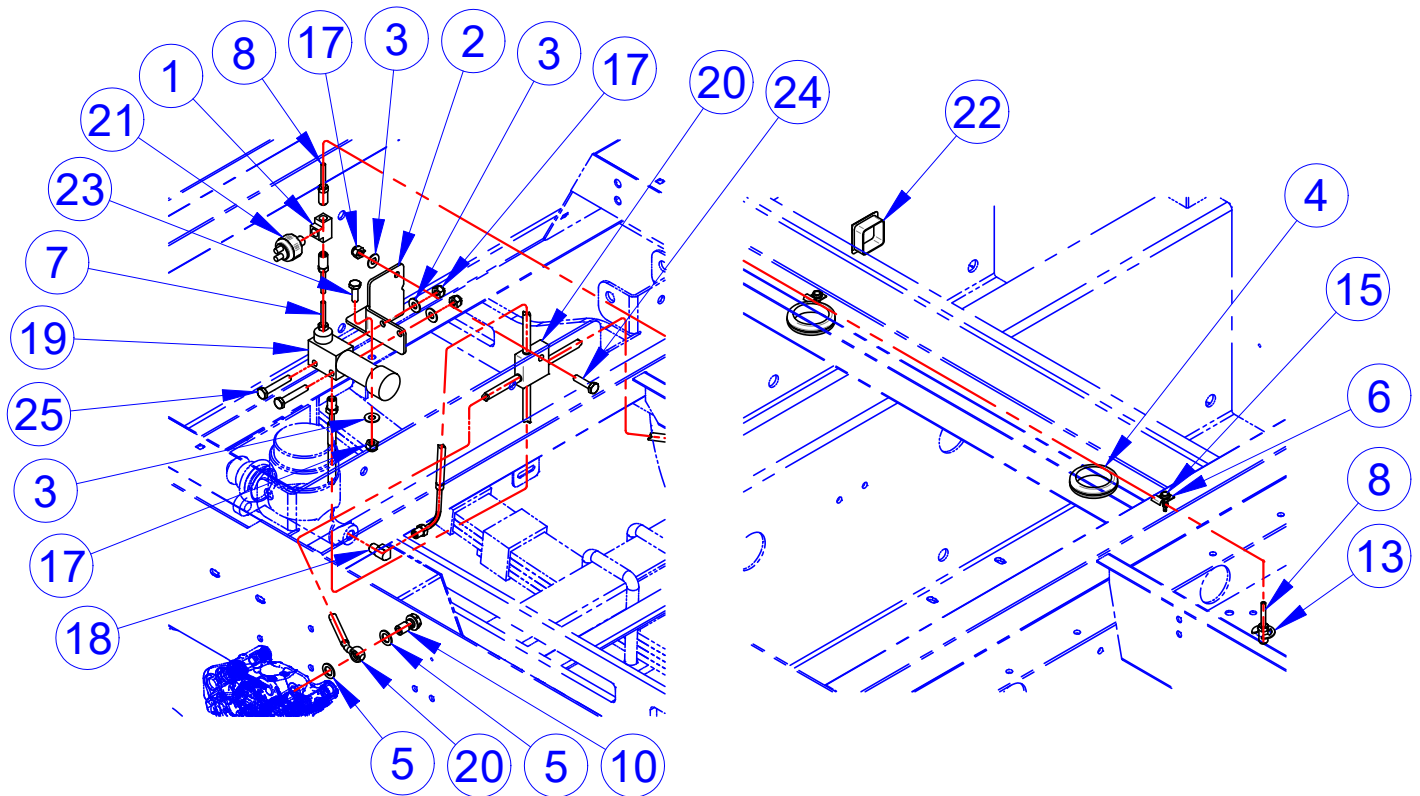
HYDRAULIC BRAKE COMPONENTS-4X



ITEM	PART #	DESCRIPTION	QTY	REF #
1	508959	CONNECTOR, 3-WAY SWITCH	1	508959
2	516897	BC BRAKE BRKT	1	516897
3	708511	WASHER, FLAT, 1/4", 18-8SS	4	708511
4	709387	GASKET-BRAKE FITTING, COPPER	4	709387
5	709607	BRAKE LINE, 3/16 X 12	3	709607
6	709727	BRAKE LINE, 3/16 X 60	1	709727
7*	719355	MOLDING, BLACK	1.75	719355
8	719423	BOLT, BANJO, M10 X 1.25 X 20 MM	2	719423
9*	719433	LOOM,.625"XSLIT,POLY,BLACK	0.67	719433
10	761649	E-RING, 625,SS	2	761649
11	719657	FLARE, UNION INVERTED 3/16	2	719657
12*	719690	WIRE, 10GA, BLACK	7.00	719690
13*	719691	WIRE, 10GA, RED	3.50	719691
14	719756	CLAMP,1/4",STL TUBE,VINYL CUSHION	7	719756
15*	719831	TERMINAL 16/14 INS .156 FEM BULLET	2	719831
16	719876	NUT, 1/4-20, L/N, NYL, NE, 316, S/S	7	719876
17	729907	ELBOW,#402X3,HEAVY WALL,MALE	1	729907
18	761056	VALVE, PROPORTIONING,BRAKE	1	761056
19	761262	HARNESS, BRAKE, FRONT, SU5	1	761262
20	761631	NUT, #10-24 GRD 18-8 NM SS NYLOCK	7	761631
21	761632	SCREW, #10-24X1/2" PPH GRD 18-8 SS	7	761632
22	194990U	P&A, KIT, BRAKE LIGHT SWITCH	1	194990U
23	782210	CLAMP, 3/8, STL TUBE, VINYL CUSHION	3	782210
24	782784	SCREW, 1/4-20X3/4,HHCS,18-8SS	4	782784
25	782785	SCREW, 1/4-20X1.0,HHCS,18-8SS	1	782785
26	782792	SCREW, 1/4-20 X 1 1/2" HEX CAP SS 18-S	2	782792

NOTE: Items with * in tables indicates parts not shown in drawing

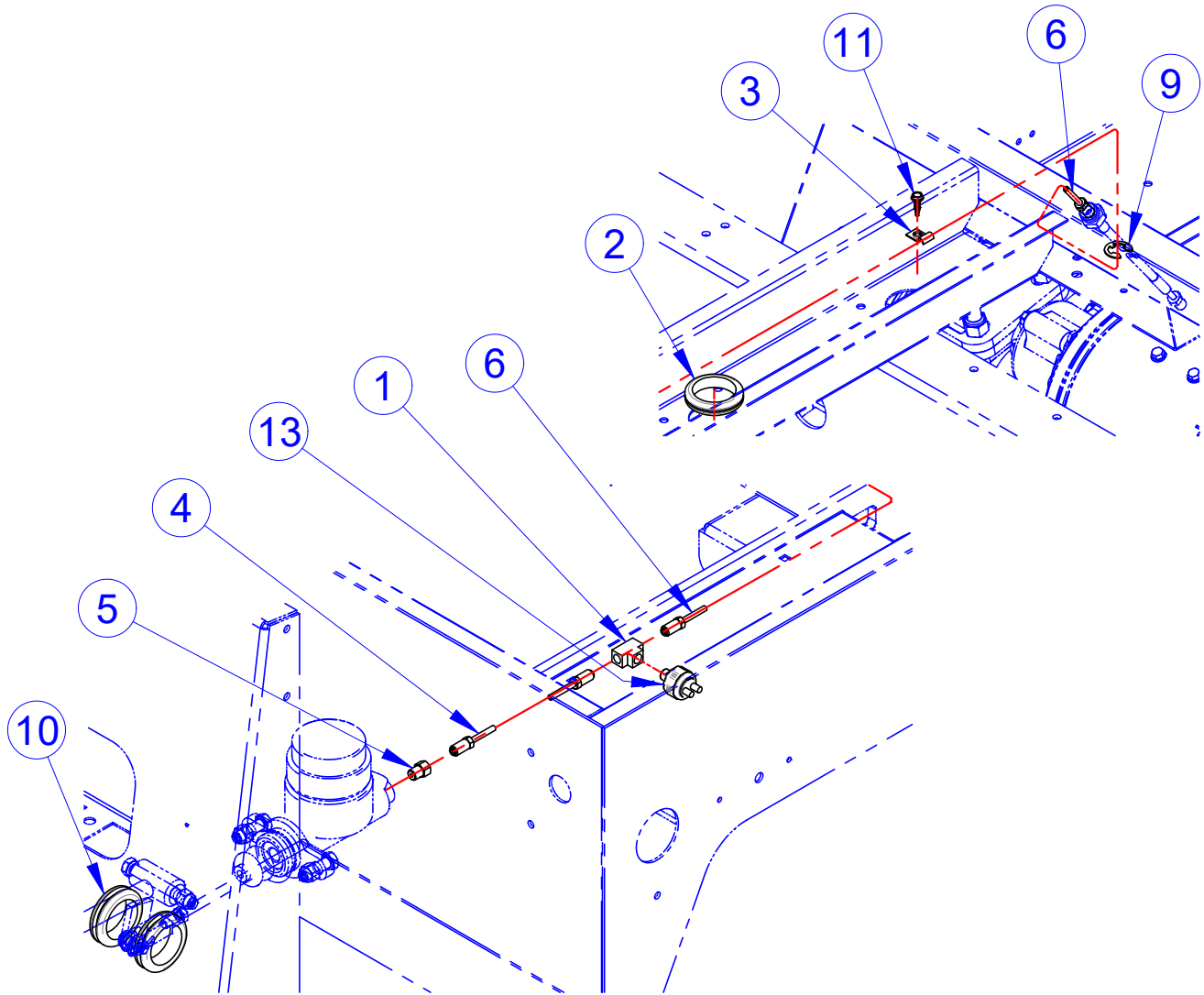
HYDRAULIC BRAKE COMPONENTS-2X



ITEM	PART #	DESCRIPTION	QTY	REF #
1	508959	CONNECTOR, 3-WAY SWITCH	1	508959
2	516897	BC BRAKE BRKT	1	516897
3	708511	WASHER, FLAT, 1/4", 18-8SS	4	708511
4	709346	GROMMET, 1-1/2"ID, 1/16"X1-3/4" HOLE	3	709346
5	709387	GASKET-BRAKE FITTING, COPPER	4	709387
6	709409	PIPE STRAP	2	709409
7	709607	BRAKE LINE, 3/16 X 12	1	709607
8	709727	BRAKE LINE, 3/16 X 60	1	709727
9*	719355	MOLDING, BLACK	1.75	719355
10	719423	BOLT, BANJO, M10 X 1.25 X 20 MM	2	719423
11*	719433	LOOM, .625"XSLIT, POLY, BLACK	0.67	719433
12*	719504	CABLE TIE, BLACK, .18X11-3/4, STD, 50LB	19	719504
13	761649	E-RING, 625, SS	2	761649
14*	719523	GROMMET, 1-1/2"ID, 3/16"X1-3/4" HOLE	2	719523
15	719583	SCREW, 10-16X3/4, HWH, TEK, MAG525	2	719583
16*	719831	TERMINAL 16/14 INS .156 FEM BULLET	2	719831
17	719876	NUT, 1/4-20, L/N, NYL, NE, 316, S/S	4	719876
18	729907	ELBOW, #402X3, HEAVY WALL, MALE	1	729907
19	761056	VALVE, PROPORTIONING, BRAKE	1	761056
20	761262	HARNESS, BRAKE, FRONT, SU5	1	761262
21	194990U	P&A, KIT, BRAKE LIGHT SWITCH	1	194990U
22	781502	PLUG, 1-1/2" SQ X 11GA	4	781502
23	782784	SCREW, 1/4-20X3/4, HHCS, 18-8SS	1	782784
24	782785	SCREW, 1/4-20X1.0, HHCS, 18-8SS	1	782785
25	782792	SCREW, 1/4-20 X 1 1/2" HEX CAP SS 18-S	2	782792

NOTE: Items with * in tables indicates parts not shown in drawing

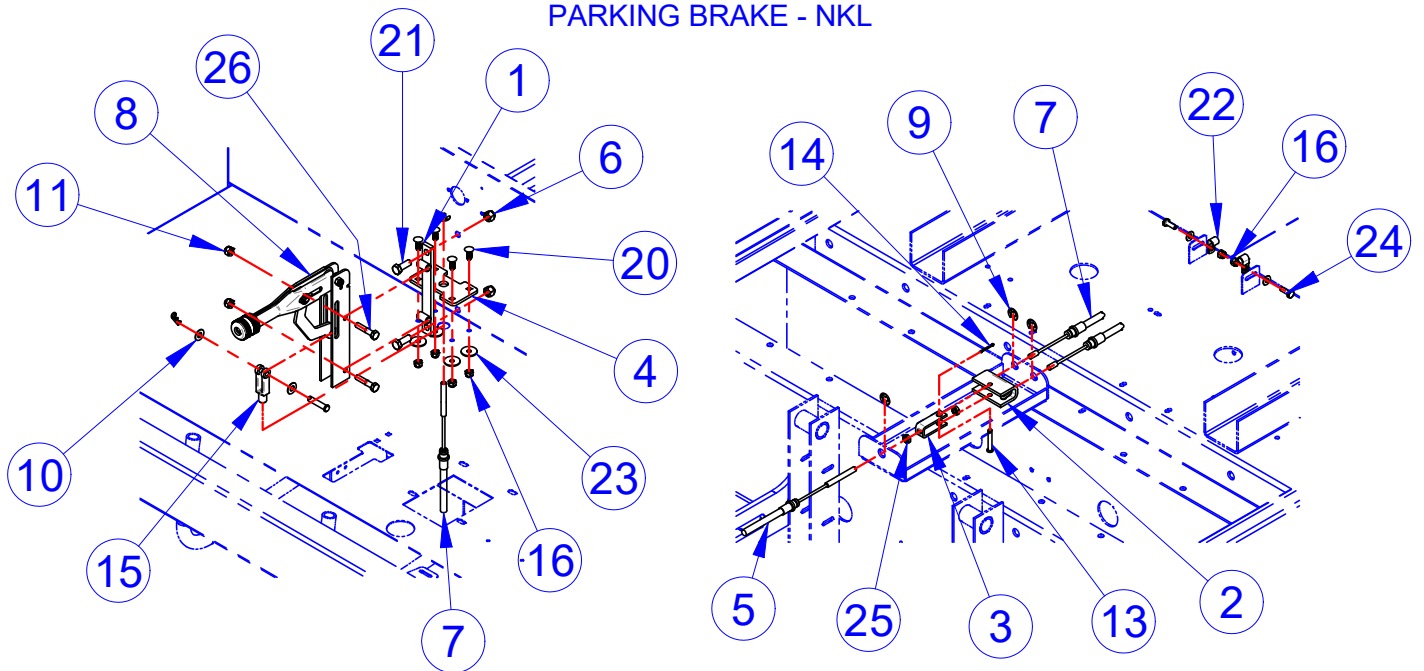
HYDRUALIC BRAKES



ITEM	PART #	DESCRIPTION	QTY	REF #
1	508959	CONNECTOR, 3-WAY SWITCH	1	508959
2	709346	GROMMET, 1-1/2"ID, 1/16"X1-3/4" HOLE	2	709346
3	709409	PIPE STRAP	2	709409
4	709601	BRAKE LINE, 3/16 X 8	1	709601
5	709618	CONNECTOR, BRASS, 3-1/2 MALE	1	709618
6	709727	BRAKE LINE, 3/16 X 60	1	709727
7*	719355	MOLDING, BLACK	1	719355
8*	719433	LOOM,.625"XSLIT,POLY,BLACK	0.67	719433
9	761649	E-RING, 625,SS	1	761649
10	719523	GROMMET, 1-1/2"ID, 3/16"X1-3/4" HOLE	2	719523
11	719583	SCREW, 10-16X3/4,HWH,TEK,MAG525	2	719583
12*	719831	TERMINAL 16/14 INS .156 FEM BULLET	2	719831
13	194990U	P&A, KIT, BRAKE LIGHT SWITCH	1	194990U

NOTE: Items with * in tables indicates parts not shown in drawing

PARKING BRAKE - NKL



ITEM	PART #	DESCRIPTION	QTY	REF #
1-26	192448U	P&A KIT, GRP PARKING BRK, NKL, PL	KIT	192448
1	306105	HAND BRAKE MTG. BRKT. ASSY.	1	306105
2	509154PL	PLATED, BRAKE EQUALIZER	1	509154PL
3	509240	CLEVIS-535	1	509240
4	516714	BC PRK BRK PLATE	1	516714
5*	708511	WASHER, FLAT, 1/4", 18-8SS	2	708511
6	708860	NUT, 3/8-16, L/N, NYL, NE, 18-8, S/S	2	708860
7	709375	BRAKE CABLE, 46.56"	1	709375
8	709750	PARKING HAND BRAKE LEVER ASSY	1	709750
9	709818	CABLE, BRAKE, 42" W/ E-CLIP	2	709818
	709819	CABLE, BRAKE, 51"	2	709819
10	719375	WSHR, 5/16X0.75X0.040, F/W, 18-8S/S	2	719375
11	719377	NUT, 5/16-18, L/N, NYL, NE, 18-8SS	2	719377
12*	719709	PIN, 5/16X1, CLEVIS, ZC	2	719709
13	719715	PIN, 1/4X1-1/2, CLEVIS, BLK150	1	719715
14	719743	PIN, 5/64X1, 18-8SS, COTTER, BLKZC	1	719743
15	719852	CLEVIS, #52, 5/16-24, ADJ YOKE END, ZC	1	719852
16	719876	NUT, 1/4-20, L/N, NYL, NE, 316, S/S	6	719876
17*	761003	SPRT, BRAKE LINE	1	761003
18*	761635	PIN, 1/8X1, COTTER, 18-8 SS	2	761635
19*	781694	NUT, 5/16-18 HEX, FLANGE, SERR, S/S	2	781694
20	781739	SCR, 1/4-20 X 0.75, CARR, 18-8, S/S	4	781739
21	781786	SCR, 3/8-16 X 1, HHCS, 18-8SS	2	781786
22	782210	CLAMP, 3/8, STL TUBE, VINYL CUSHION	2	782210
23	782731	WSHR, 1/4 (M6) X 1.000 X 0.062, FENDER, 18-8, S/S	4	782731
24	782784	SCREW, 1/4-20X3/4, HHCS, 18-8SS	2	782784
25	782790	NUT, 5/16-24, JAM, 18-8SS	2	782790
26	783116	SCR, 5/16-18 X 1.5, HCS, 18-8, SS	2	783116

NOTE: Items with * in tables indicates parts not shown in drawing

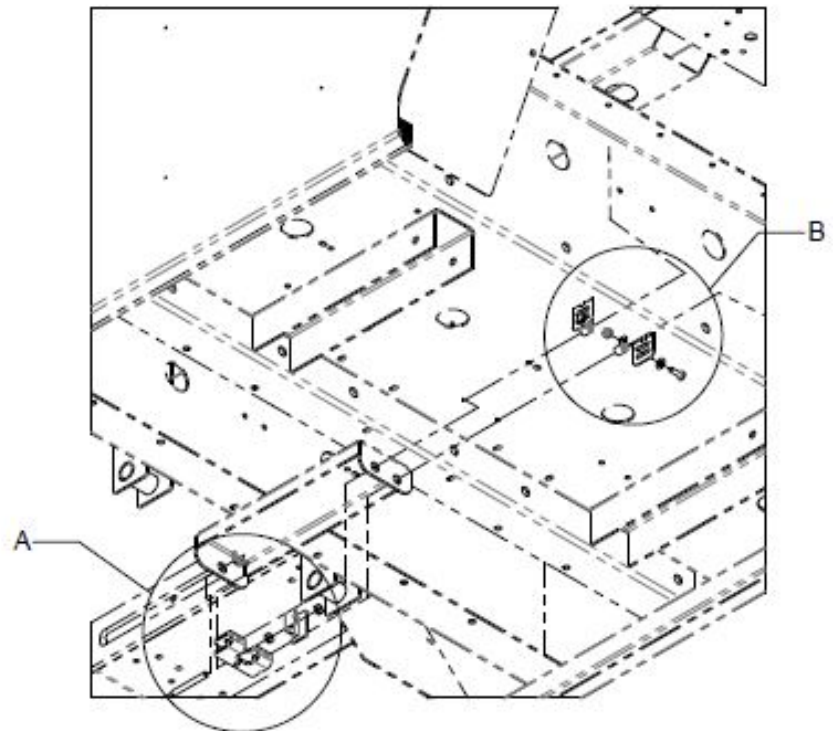
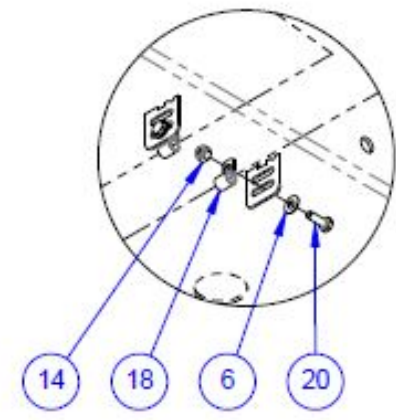
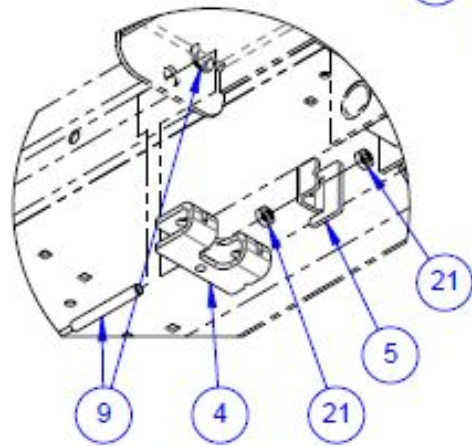
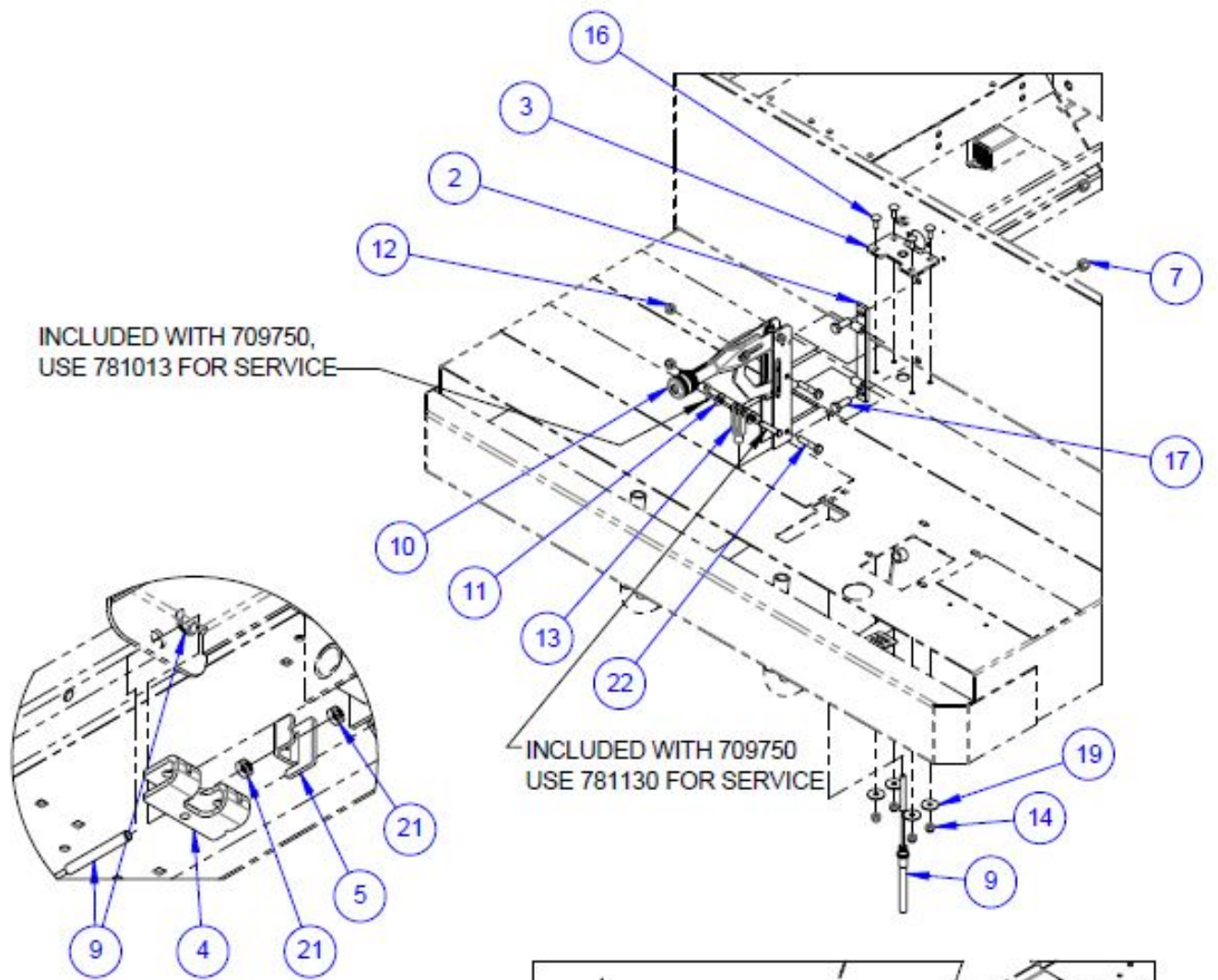
PARKING BRAKE, LY, PL-2XL

DRAWINGS FOR BILL OF MATERIALS ON THE FOLLOWING PAGE.

ITEM	PART #	DESCRIPTION	QTY	REF #
1	1030990	BRAKE CABLE, 42.75	2	1030990
2	306105	WLDMT, HAND BRAKE, MTG BRKT	1	306105
3	516714	PLATE, PRK BRK, PL	1	516714
4	520791	BRAKE EQUALIZER, LY	1	520791
5	520792	BRKT, BRAKE CABLE, EQ LY	1	520792
6	708511	WASHER, FLAT 1/4" 18-8 SS	2	708511
7	708860	NUT, 3/8-16, NILN, 18-8, SS	2	708860
8	709013	TRIM,PINCH WELT,3/32",BLK	0.5	709013
9	709375	BRAKE CABLE, 46.56"	1	709375
10	709750	ASSY, PRKING HAND BRAKE LEVER	1	709750
11	719375	WSHR, 5/16 (M8), FW, SOD, 18-8, SS	2	719375
12	719377	NUT, 5/16-18, NILN, 18-8, SS	2	719377
13	719852	CLEVIS, 5/16-24, YOKE END, ADJ, ZC	1	719852
14	719876	NUT, 1/4-20, NILN, 316, SS	6	719876
15	760121	CABLE TIE, 0.30 X 8, 120 LB	1	760121
16	719504	SCR, 1/4-20 X 0.75, CARR, 18-8, SS	4	719504
17	781786	SCR, 3/8-16 X 1, HCS, 18-8, SS	2	781786
18	782210	CLAMP, 3/8, STL TUBE, VINYL CUSHION	2	782210
19	782731	WSHR, 1/4 (M6) X 1, 18-8, SS	4	782731
20	782784	SCR, 1/4-20 X 0.75, HCS, 18-8, SS	2	782784
21	782790	NUT, 5/16-24, HJN, 18-8, SS	2	782790
22	783116	SCR, 5/16-18 X 1.5, HCS, 18-8, SS	2	783116

NOTE: Items with * in tables indicates parts not shown in drawing

PARKING BRAKE, LY, PL-2XL



PARKING BRAKE, LY, PL-2XL/4X

DRAWINGS FOR BILL OF MATERIALS ON THE FOLLOWING PAGE.

ITEM	PART #	DESCRIPTION	QTY	REF #
1	1030990	BRAKE CABLE, 42.75	2	1030990
2	306105	WLDMT, HAND BRAKE, MTG BRKT	1	306105
3	516714	PLATE, PRK BRK, PL	1	516714
4	520399	HANGER, BRAKE LINE	1	520399
5	520791	BRAKE EQUALIZER, LY	1	520791
6	520792	BRKT, BRAKE CABLE, EQ LY	1	520792
7	708511	WASHER, FLAT 1/4" 18-8 SS	2	708511
8	708860	NUT, 3/8-16, NILN, 18-8, SS	2	708860
9	709013	TRIM,PINCH WELT,3/32",BLK	0.50	709013
10	709375	BRAKE CABLE, 46.56"	1	709375
11	709750	ASSY, PRKING HAND BRAKE LEVER	1	709750
12	719375	WSHR, 5/16 (M8), FW, SOD, 18-8, SS	4	719375
13	719377	NUT, 5/16-18, NILN, 18-8, SS	3	719377
14	719514	E-RING, .500,BLACK PHOS	4	719514
15	719852	CLEVIS, 5/16-24, YOKE END, ADJ, ZC	1	719852
16	719876	NUT, 1/4-20, NILN, 316, SS	6	719876
17	781739	SCR, 1/4-20 X 0.75, CARR, 18-8, SS	4	781739
18	781786	SCR, 3/8-16 X 1, HCS, 18-8, SS	2	781786
19	782210	CLAMP, 3/8, STL TUBE, VINYL CUSHION	2	782210
20	782731	WSHR, 1/4 (M6) X 1, 18-8, SS	4	782731
21	782784	SCR, 1/4-20 X 0.75, HCS, 18-8, SS	2	782784
22	782790	NUT, 5/16-24, HJN, 18-8, SS	2	782790
23	783058	SCR, 5/16-18 X 0.75, 6PMS, 18-8, SS	1	783058
24	783116	SCR, 5/16-18 X 1.5, HCS, 18-8, SS	2	783116

NOTE: Items with * in tables indicates parts not shown in drawing

PARKING BRAKE, LY, PL-2XL/4X

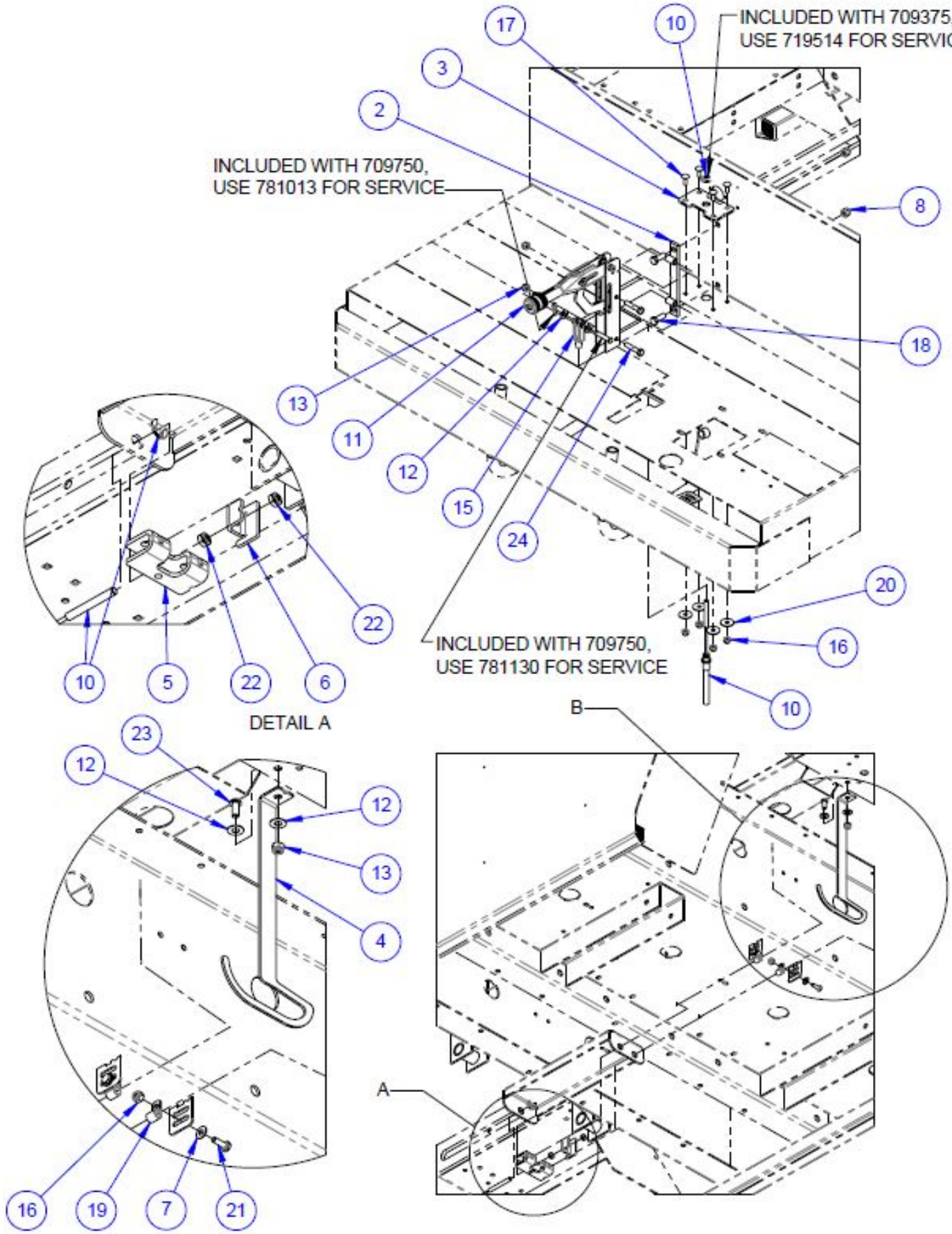
INCLUDED WITH 709375,
USE 719514 FOR SERVICE

INCLUDED WITH 709750,
USE 781013 FOR SERVICE

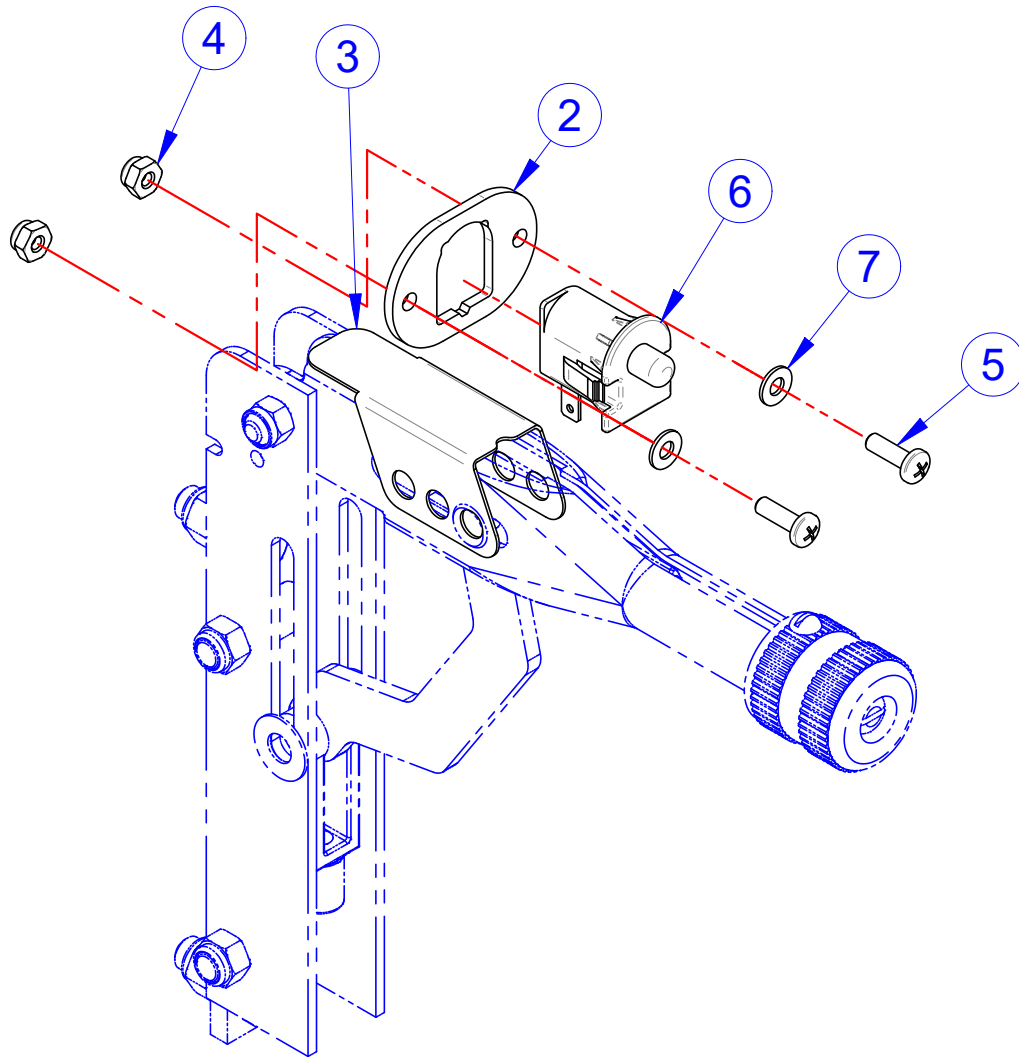
INCLUDED WITH 709750,
USE 781130 FOR SERVICE

DETAIL A

DETAIL B



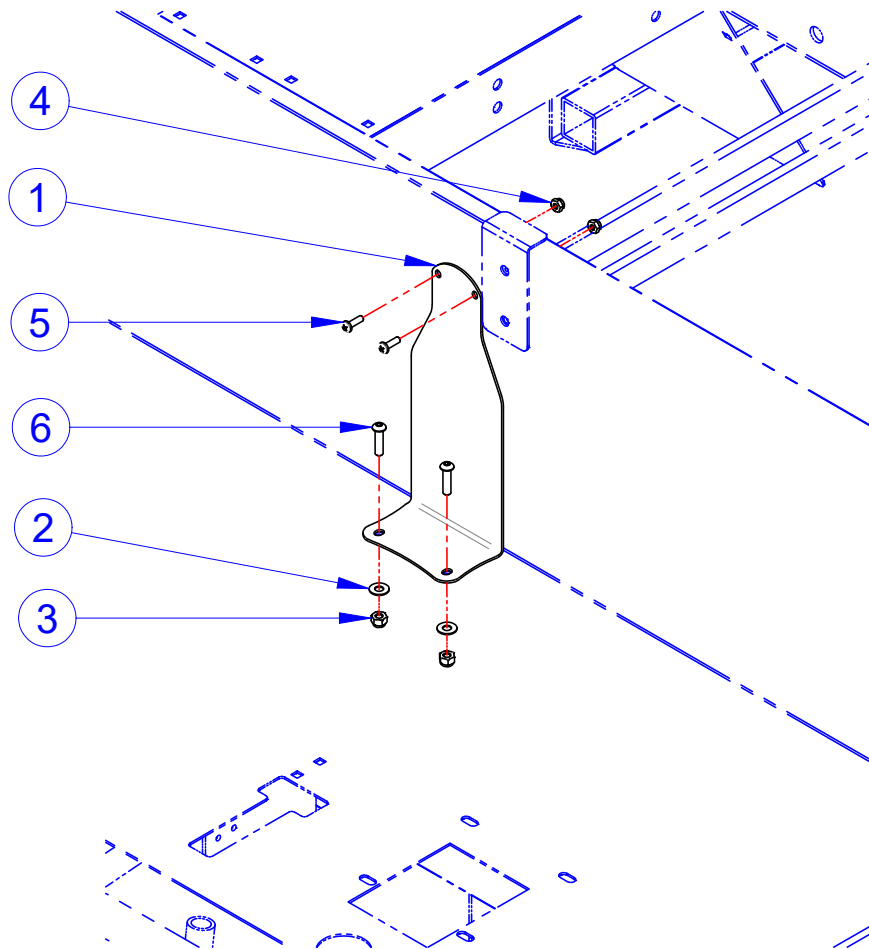
HANDBRAKE INTERLOCK SWITCH



ITEM	PART #	DESCRIPTION	QTY	REF #
1-7	192712U	P&A, HANDBRAKE INTERLOCK, PL	KIT	192712A
1*	468827	HARNES, BC HNDBRK INTRLK SWITCH	1	468827
2	515776	PLATE, HNDBRK SW	1	515776
3	516638	BRKT, HNDBRK SW STOP	1	516638
4	761631	NUT, #10-24 GRD 18-8 NM SS NYLOCK	2	761631
5	761633	SCREW, 10-24X5/8, PPHMS, 18-8SS	2	761633
6	781580	SWITCH, PLUNGER, DELTA, NC, 6440-53	1	781580
7	782722	WSHR, #10 X 0.438 X 0.031, F/W, 18-8SS	2	782722

NOTE: Items with * in tables indicates parts not shown in drawing

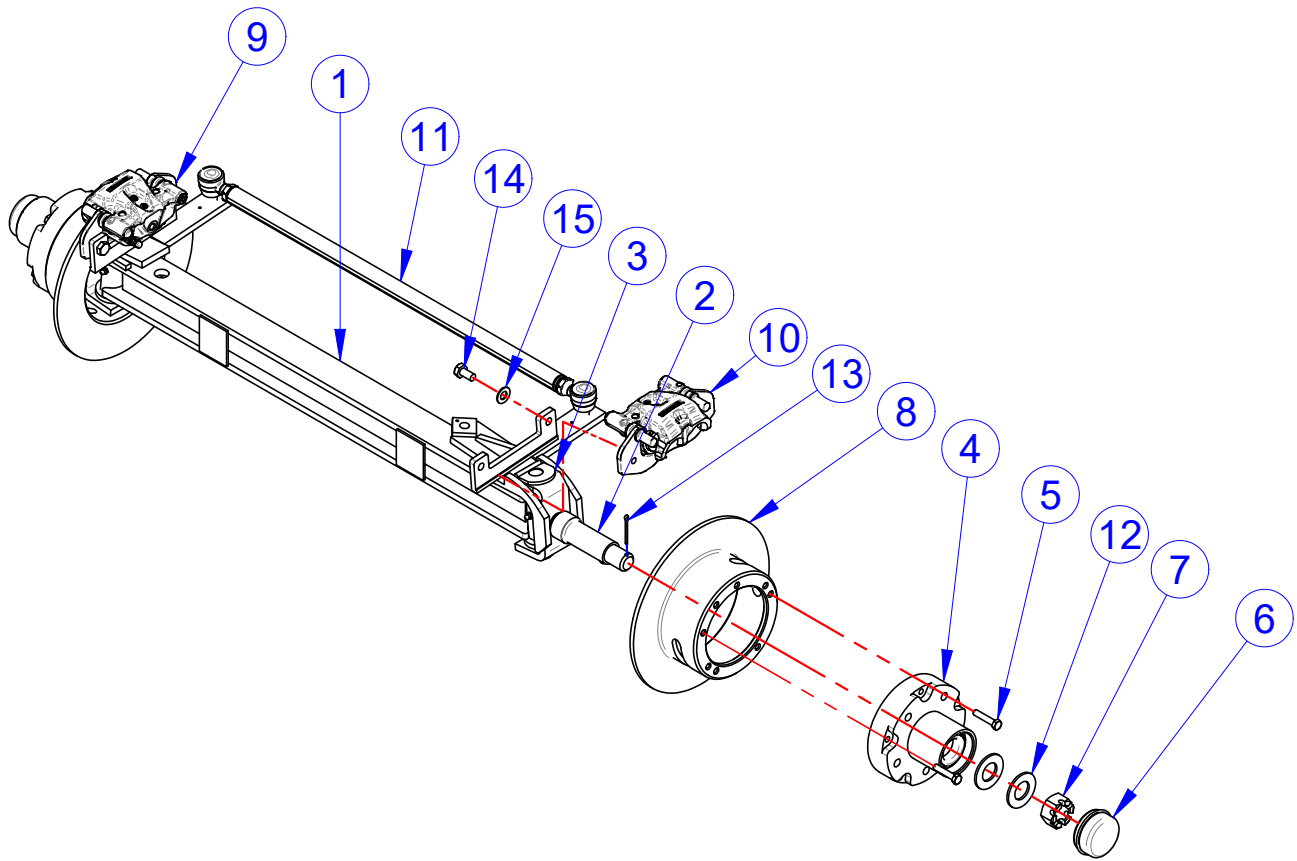
COVER, W/O HANDBRAKE



ITEM	PART #	DESCRIPTION	QTY	REF #
1	517476TB	AC PRK BRK COVER, PL	1	517476
2	708511	WASHER, FLAT, 1/4", 18-8SS	2	708511
3	719876	NUT, 1/4-20, L/N, NYL, NE, 316, S/S	2	719876
4	761631	NUT, #10-24 GRD 18-8 NM SS NYLOCK	2	761631
5	761633	SCREW, 10-24X5/8, PPHMS, 18-8SS	2	761633
6	782719	SCR, 1/4-20 X 1, BSHCS, 18-8, S/S	2	782719

NOTE: Items with * in tables indicates parts not shown in drawing

FRONT BRAKES & HUBS



ITEM	PART #	DESCRIPTION	QTY	REF #
1	306096	WLDMT, FRONT AXLE ASSEMBLY	1	306096
2	313159WX	SPINDLE WLDMT, LH, TSR MOUNT, WX	1	313159
3	467952	PNTD, KING PIN	2	467952
4	468075	P&A ASSY, HUB BOLT ON DISC BRAKE	2	468075
5	707457	SCREW, 5/16-18 X 1-1/2 HEX HEAD CAP WITH PATCH	10	707457
6	709831	DUST CAP, 12842 HUB	2	709831
7	719859	NUT 1-14 GR 5 SLOTTED HEX CLR ZINC	2	719859
8	761179	ROTOR, DISC BRAKE - DUAL PATTERN	2	761179
9	761269	TITAN, RH CALIPER, FRONT	1	761269
10	761270	TITAN, LH CALIPER, FRONT	1	761270
11	468664	ASM, BC TIE ROD	1	468664
11	761609	BC TIE ROD ASM	1	761609
12	761646	WASHER, 1", F/W, 18-8SS	4	761646
13	761647	PIN, 1/8X1-1/2, COTTER, SS	2	761647
14	782563	SCREW, M10X1.25X20MM 8.8 GRADE	4	782563
15	782752	WSHR, 7/16 (M11), SAE, F/W, G8, MAGNI 525	4	782752

Columbia Vehicle Group, Inc.

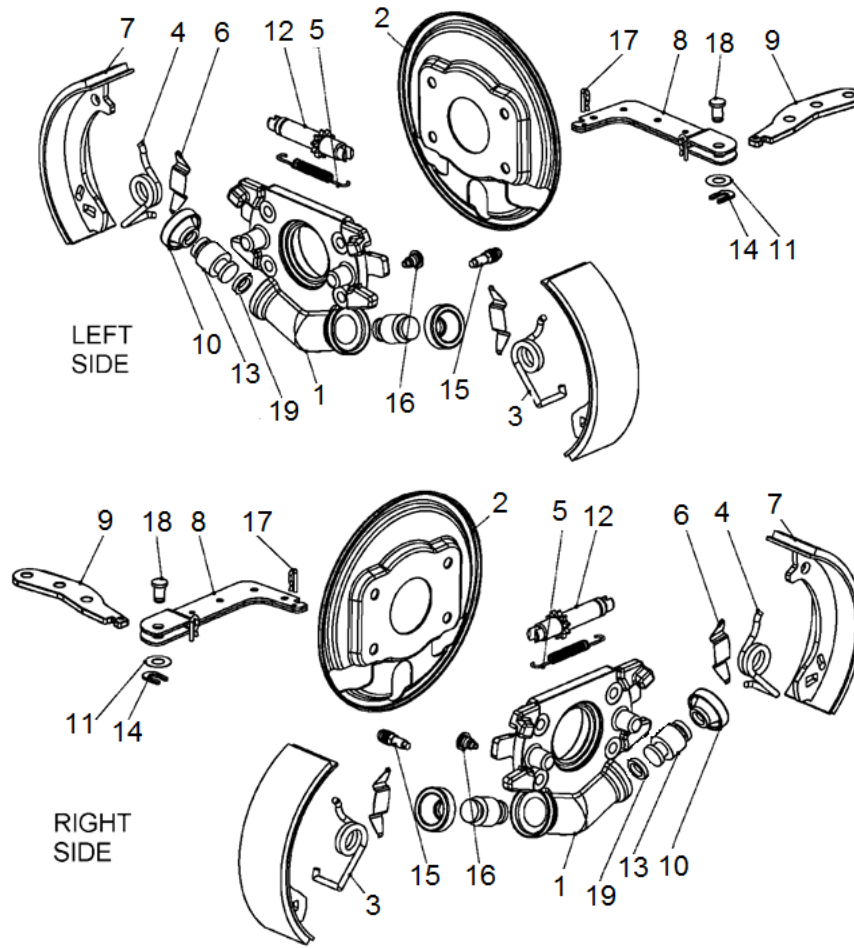
A Nordic Group Company | Business Ventures Since 1947



COLUMBIA TOMBERLIN

NOTE: Items with * in tables indicates parts not shown in drawing

REAR BRAKE HUBS FOR NKL REAR AXLE

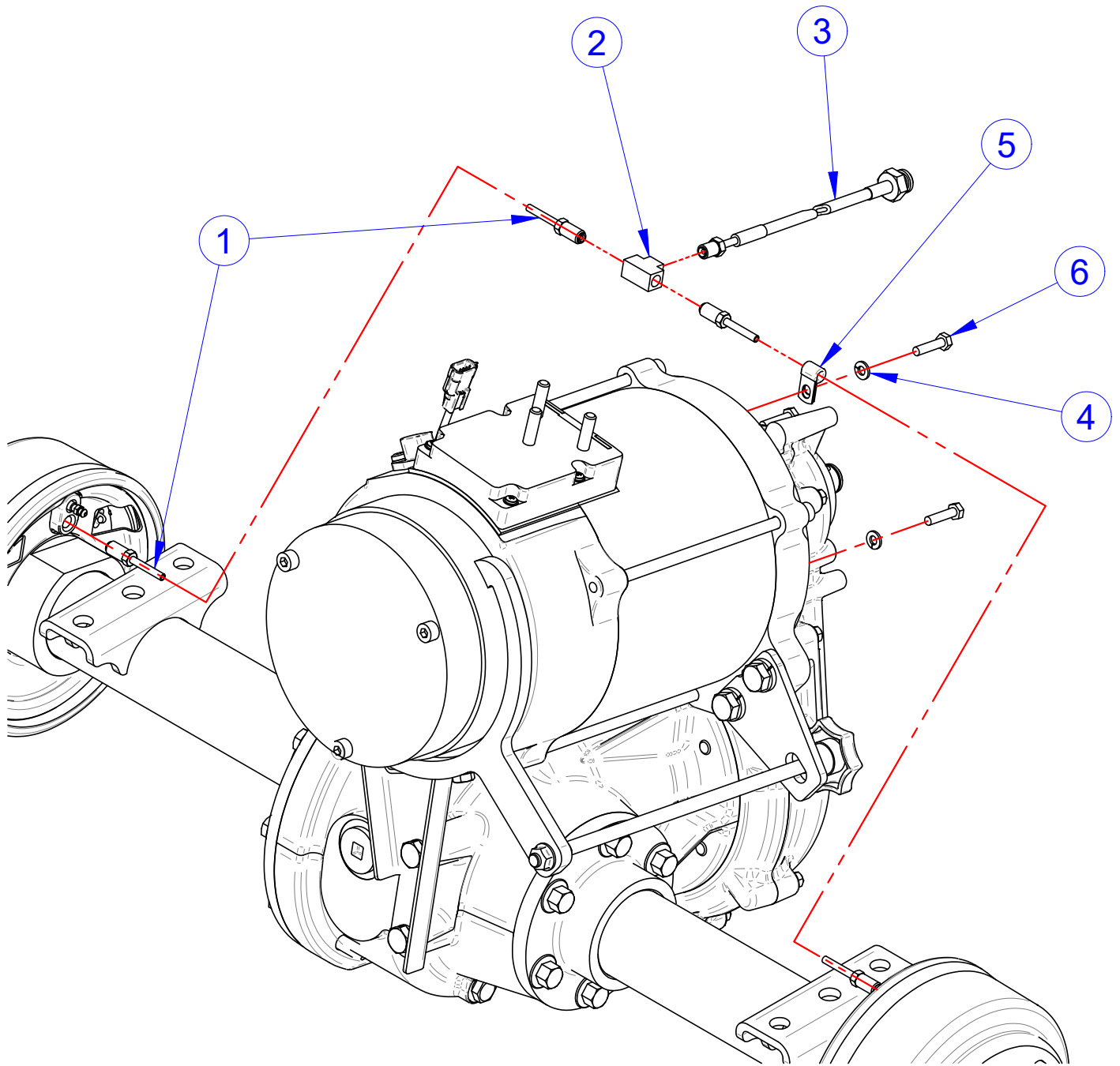


NOTES: (1) Due to pressed on bearings at the shaft, when replacing item 2, or parts showing no PART #, replace complete axle shaft assembly as shown on axle parts brake down. (2) Hubs are for 10.37 & 16.77 NKL rear axles.

ITEM	PART #	DESCRIPTION	QTY	REF #
1	NONE	MAIN BODY(See Note 1)	1	NONE
2	760980	COVER(See Note 1)	1	760980
3	760981	SPRIN(BLUE)	1	760981
4	760982	SPRING(YELLOW)	1	760982
5	NONE	SPRING(See Note 1)	1	NONE
6	NONE	SPRING PIECE(See Note 1)	2	NONE
7	760928	SHOES,REAR BRAKE(PAIR)	2	760928
8	NONE	L-TYPE LEVER(See Note 1)	1	NONE
9	NONE	LEVER(See Note 1)	1	NONE
10	192943U	DUSTPROOF COVER KIT	1	192943U
11	NONE	WASHER(See Note 1)	1	NONE
12A	760984	ADJUSTMENT ASSY L (Includes Items 12-19)	1	760984
12B	760985	ADJUSTMENT ASSY R (Includes Items 12-19)	1	760985
13	NONE	PISTON ASSY(See Item 12)	2	NONE
14	NONE	CARCLIP(See Item 12)	1	NONE
15	NONE	BLEEDER SCREW(See Item 12)	1	NONE
16	NONE	BUSHING(See Item 12)	1	NONE
17	NONE	COTTER PIN(See Item 12)	1	NONE
18	NONE	PIN(See Item 12)	1	NONE
19	NONE	OIL SEAL(See Item 12)	2	NONE

NOTE: Items with * in tables indicates parts not shown in drawing

REAR SUSPENSION BRAKE LINE HARDWARE



ITEM	PART #	DESCRIPTION	QTY	REF #
1	709232	BRAKE LINE, 3/16 X 30	2	709232
2	709377	UNION TEE,3/16",HYD BRAKE TUBE	1	709377
3	709430	BRAKE HOSE, HYD, FLEX, 18"	1	709430
4	719378	WSHR, 1/4 (M6), L/W, SPLIT, 18-8, S/S	3	719378
5	719756	CLAMP,1/4",STL TUBE,VINYL CUSHION	1	719756
6	783118	SCREW,M6-1.0X25MM,HHCS,A2,SS	3	783118

NOTE: Items with * in tables indicates parts not shown in drawing

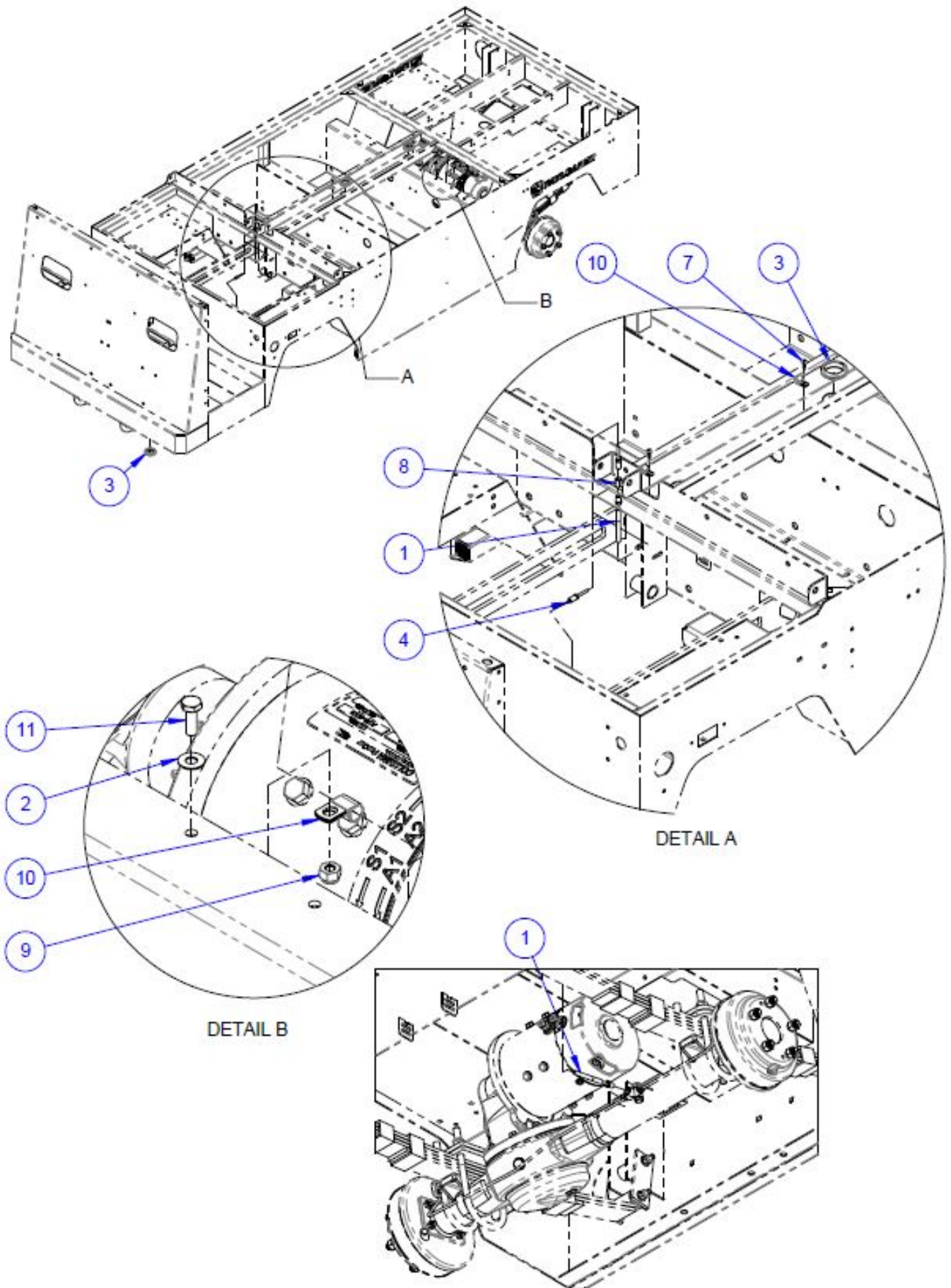
BRAKE LINES, PL-STD

DRAWINGS FOR BILL OF MATERIALS ON THE FOLLOWING PAGE.

ITEM	PART #	DESCRIPTION	QTY	REF #
1	1029264	FLEX LINE, BRAKE, 106 INCH	1	1029264
2	708511	WASHER, FLAT 1/4" 18-8 SS	1	708511
3	709346	GROMMET, 1-1/2" ID, 1/16" X 1-3/4" HOLE	3	709346
4	709607	BRAKE LINE, 3/16 X 12	1	709607
5	NONE	BRAKE FLUID, DOT 3	0.08	NONE
6	719355	MOLDING, BLACK	1	719355
7	719583	SCR, 10-16 X 3/4, HWH, TEK, M525	3	719583
8	719657	FLARE, UNION INVERTED 3/16	1	719657
9	719876	NUT, 1/4-20, NILN, 316, SS	1	719876
10	782210	CLAMP, 3/8, STL TUBE, VINYL CUSHION	4	782210
11	782784	SCR, 1/4-20 X 0.75, HCS, 18-8, SS	1	782784

NOTE: Items with * in tables indicates parts not shown in drawing

PARKING BRAKE LINE HDW, LY, PL-2XL/4X

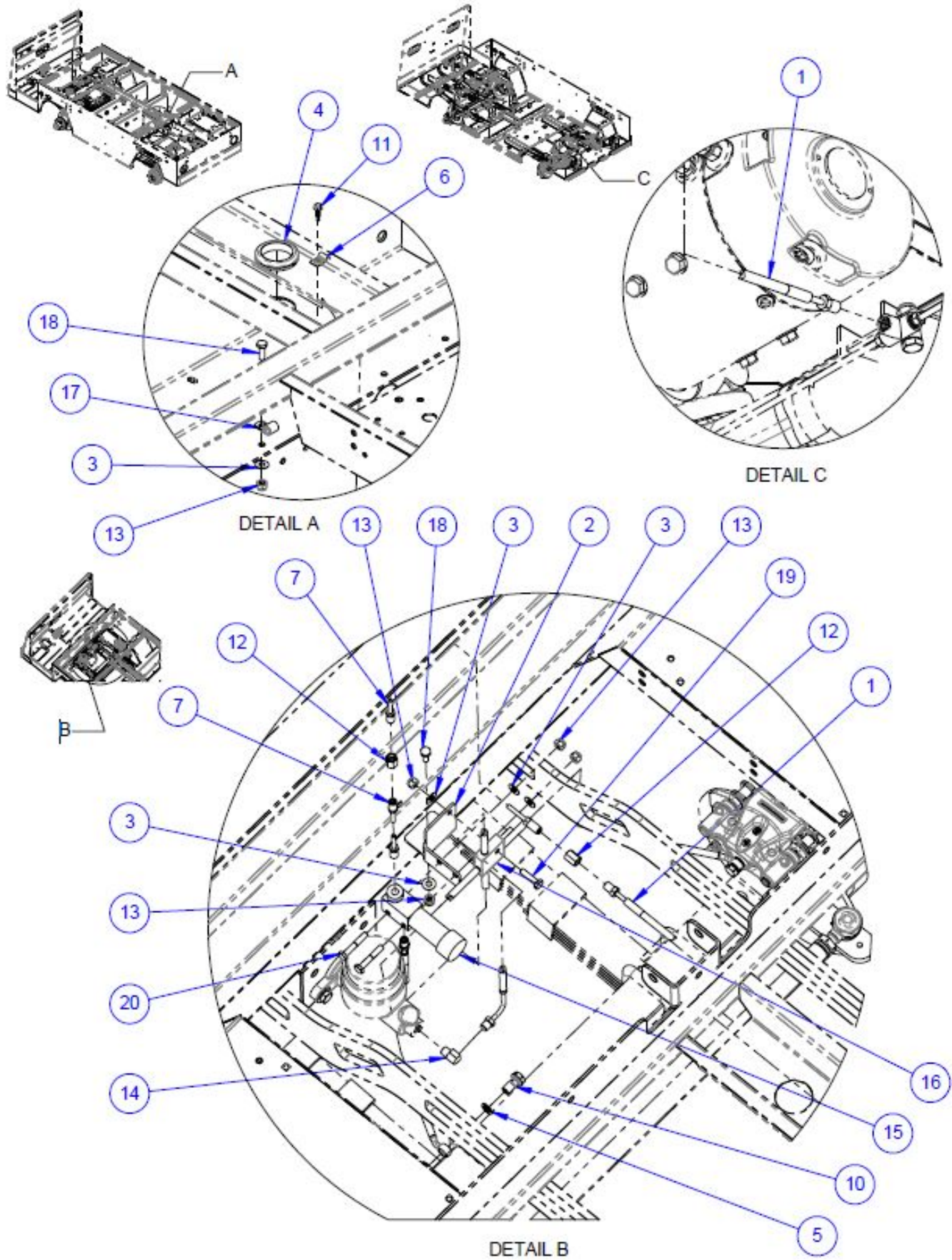


DRAWINGS FOR BILL OF MATERIALS ON THE FOLLOWING PAGE.

ITEM	PART #	DESCRIPTION	QTY	REF #
1	1029264	FLEX LINE, BRAKE, 106 INCH	1	1029264
2	516897	BC BRK BRKT	1	516897
3	708511	WASHER, FLAT 1/4" 18-8 SS	5	708511
4	709346	GROMMET, 1-1/2" ID, 1/16" X 1-3/4" HOLE	2	709346
5	709387	GASKET, BRAKE FITTING, COPPER	4	709387
6	709409	PIPE STRAP	3	709409
7	709607	BRAKE LINE, 3/16 X 12	2	709607
8	NONE	BRAKE FLUID, DOT 3	0.10	NONE
9	719355	MOLDING, BLACK	1	719355
10	719423	BANJO BOLT, M10-1.25 X 20MM	2	719423
11	719583	SCR, 10-16 X 3/4, HWH, TEK, M525	3	719583
12	719657	FLARE, UNION INVERTED 3/16	2	719657
13	719876	NUT, 1/4-20, NILN, 316, SS	5	719876
14	729907	ELBOW, #402X3, HEAVY WALL, MALE	1	729907
15	761056	VALVE, PROPORTIONING, BRK	1	761056
16	761262	HARNESS, BRAKE, FRONT, UT	1	761262
17	782210	CLAMP, 3/8, STL TUBE, VINYL CUSHION	1	782210
18	782784	SCR, 1/4-20 X 0.75, HCS, 18-8, SS	2	782784
19	782785	SCREW, 1/4-20 X 1.0, HHCS, 18-8 SS	1	782785
20	782792	SCR, 1/4-20 X 1.5, HCS, 18-8, SS	2	782792

NOTE: Items with * in tables indicates parts not shown in drawing

BRK LINES, LY, 4-WHEEL, PL-STD

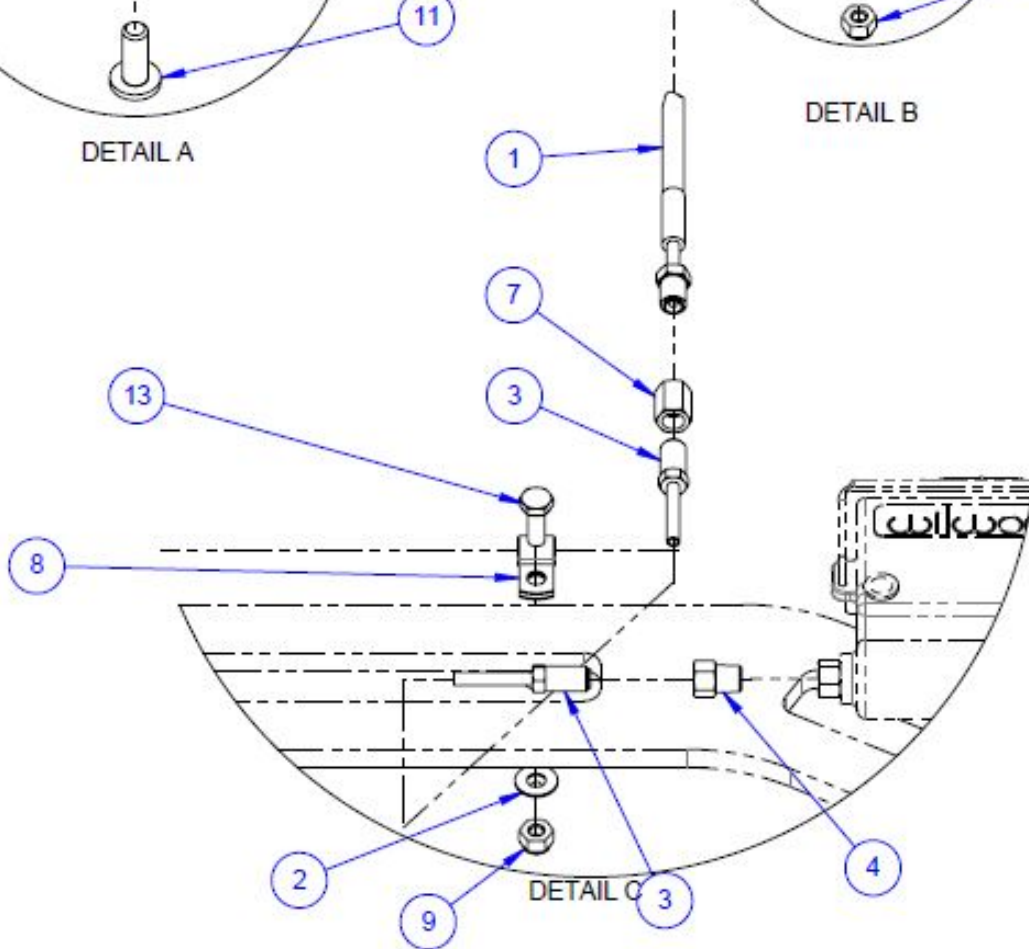
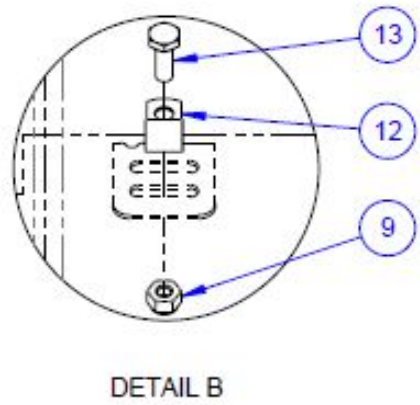
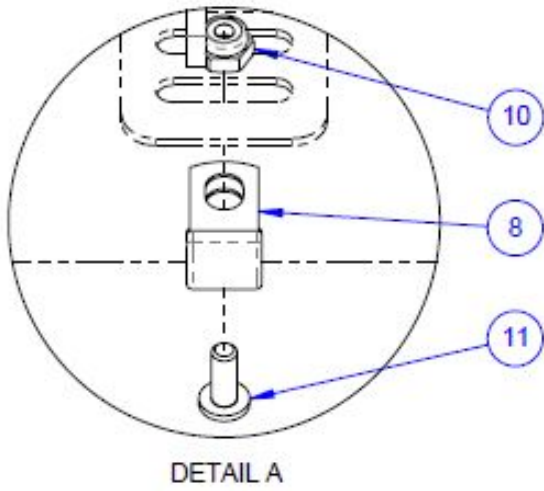
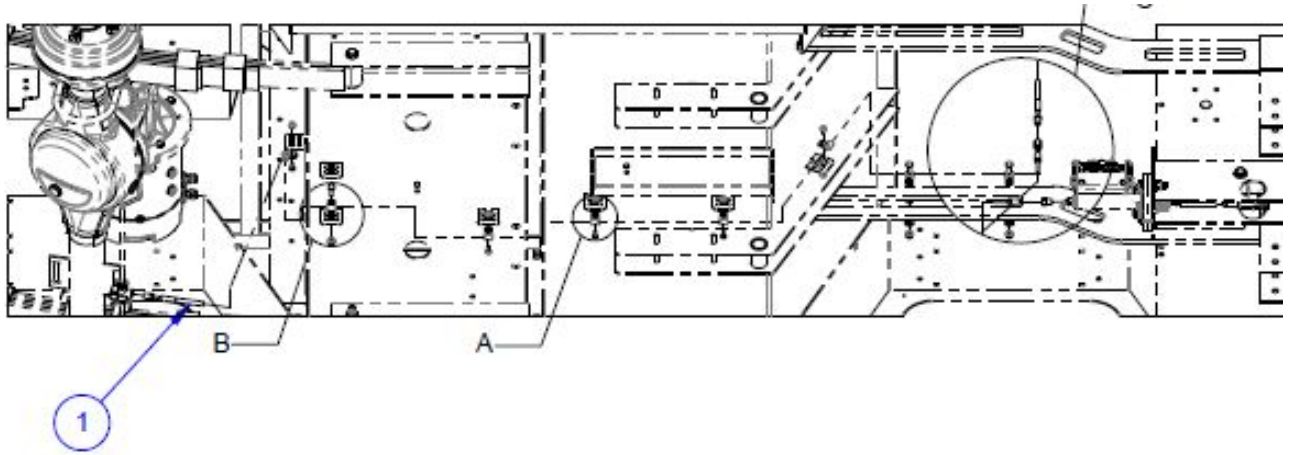


DRAWINGS FOR BILL OF MATERIALS ON THE FOLLOWING PAGE.

ITEM	PART #	DESCRIPTION	QTY	REF #
1	1029264	FLEX LINE, BRAKE, 106 INCH	1	1029264
2	708511	WASHER, FLAT 1/4" 18-8 SS	2	708511
3	709607	BRAKE LINE, 3/16 X 12	1	709607
4	709618	CONNECTOR, BRASS, 3-1/2 MALE	1	709618
5	NONE	BRAKE FLUID, DOT 3	0.10	NONE
6	719355	MOLDING, BLACK	1.00	719355
7	719657	FLARE, UNION INVERTED 3/16	1	719657
8	719756	CLAMP, 1/4", STL TUBE, VINYL CUSHION	7	719756
9	719876	NUT, 1/4-20, NILN, 316, SS	3	719876
10	761631	NUT, #10-24, NILN, 18-8, SS	5	761631
11	761632	SCR,#10-24X1/2" PPH GRD 18-8 SS	5	761632
12	782210	CLAMP, 3/8, STL TUBE, VINYL CUSHION	1	782210
13	782784	SCR, 1/4-20 X 0.75, HCS, 18-8, SS	3	782784

NOTE: Items with * in tables indicates parts not shown in drawing

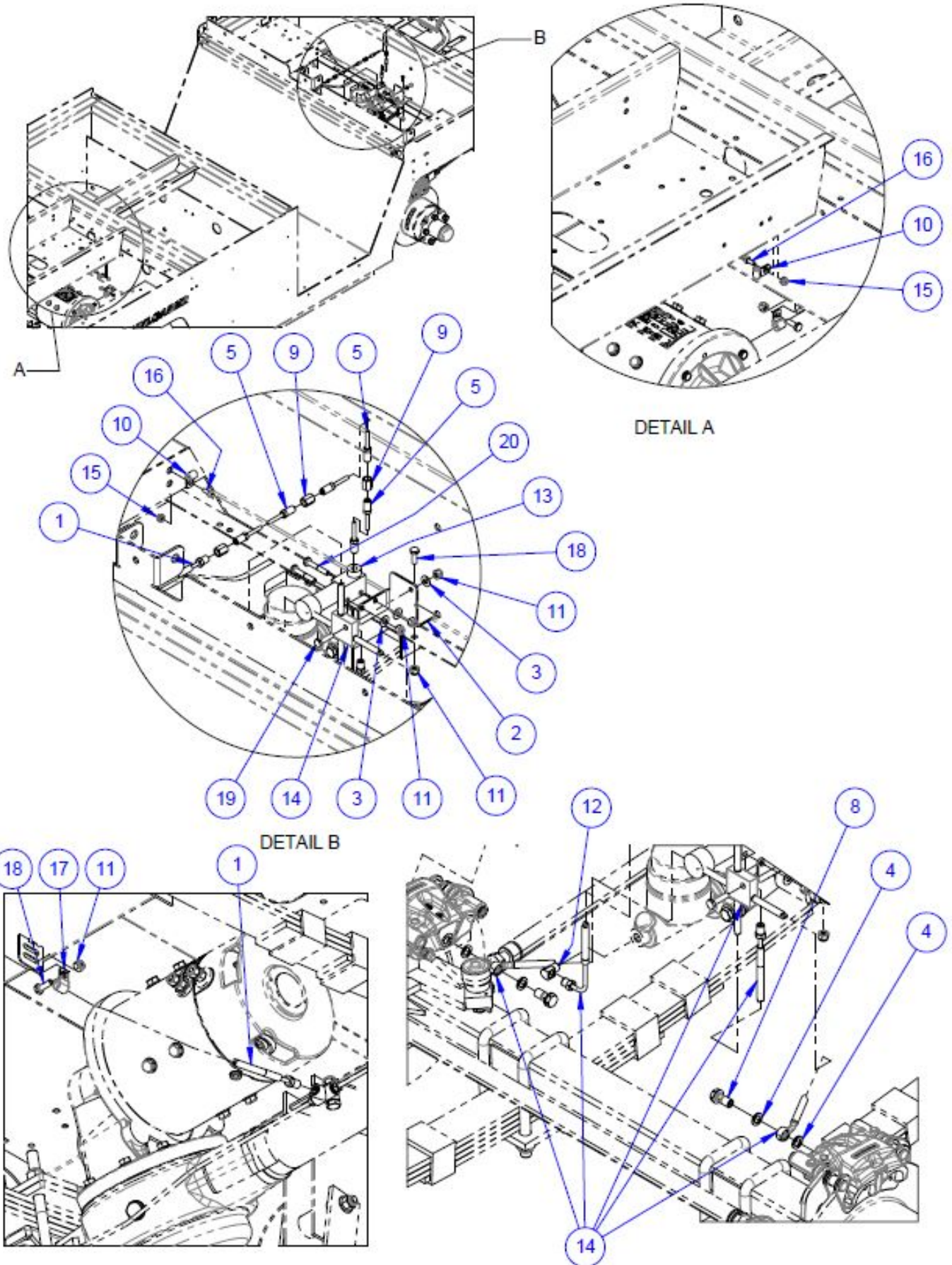
BRK LINES, LY, PL-4X



DRAWINGS FOR BILL OF MATERIALS ON THE FOLLOWING PAGE.

ITEM	PART #	DESCRIPTION	QTY	REF #
1	1029264	FLEX LINE, BRAKE, 106 INCH	1	1029264
2	516897	BC BRK BRKT	1	516897
3	708511	WASHER, FLAT 1/4" 18-8 SS	3	708511
4	709387	GASKET-BRAKE FITTING, COPPER	4	709387
5	709607	BRAKE LINE, 3/16 X 12	3	709607
6	719056	BRAKE FLUID, DOT 3	0.25	719056
7	719355	MOLDING, BLACK	1.75	719355
8	719423	BANJO BOLT, M10-1.25 X 20MM	2	719423
9	719657	FLARE, UNION INVERTED 3/16	3	719657
10	719756	CLAMP, 1/4", STL TUBE, VINYL CUSHION	7	719756
11	719876	NUT, 1/4-20, NILN, 316, SS	6	719876
12	729907	ELBOW, #402X3, HEAVY WALL, MALE	1	729907
13	761056	VALVE, PROPORTIONING, BRK	1	761056
14	761262	HARNESS, BRAKE, FRONT, UT	1	761262
15	761631	NUT, #10-24, NILN, 18-8, SS	7	761631
16	761632	SCR,#10-24X1/2" PPH GRD 18-8 SS	7	761632
17	782210	CLAMP, 3/8, STL TUBE, VINYL CUSHION	2	782210
18	782784	SCR, 1/4-20 X 0.75, HCS, 18-8, SS	3	782784
19	782785	SCREW, 1/4-20 X 1.0, HHCS, 18-8 SS	1	782785
20	782792	SCR, 1/4-20 X 1.5, HCS, 18-8, SS	2	782792

NOTE: Items with * in tables indicates parts not shown in drawing





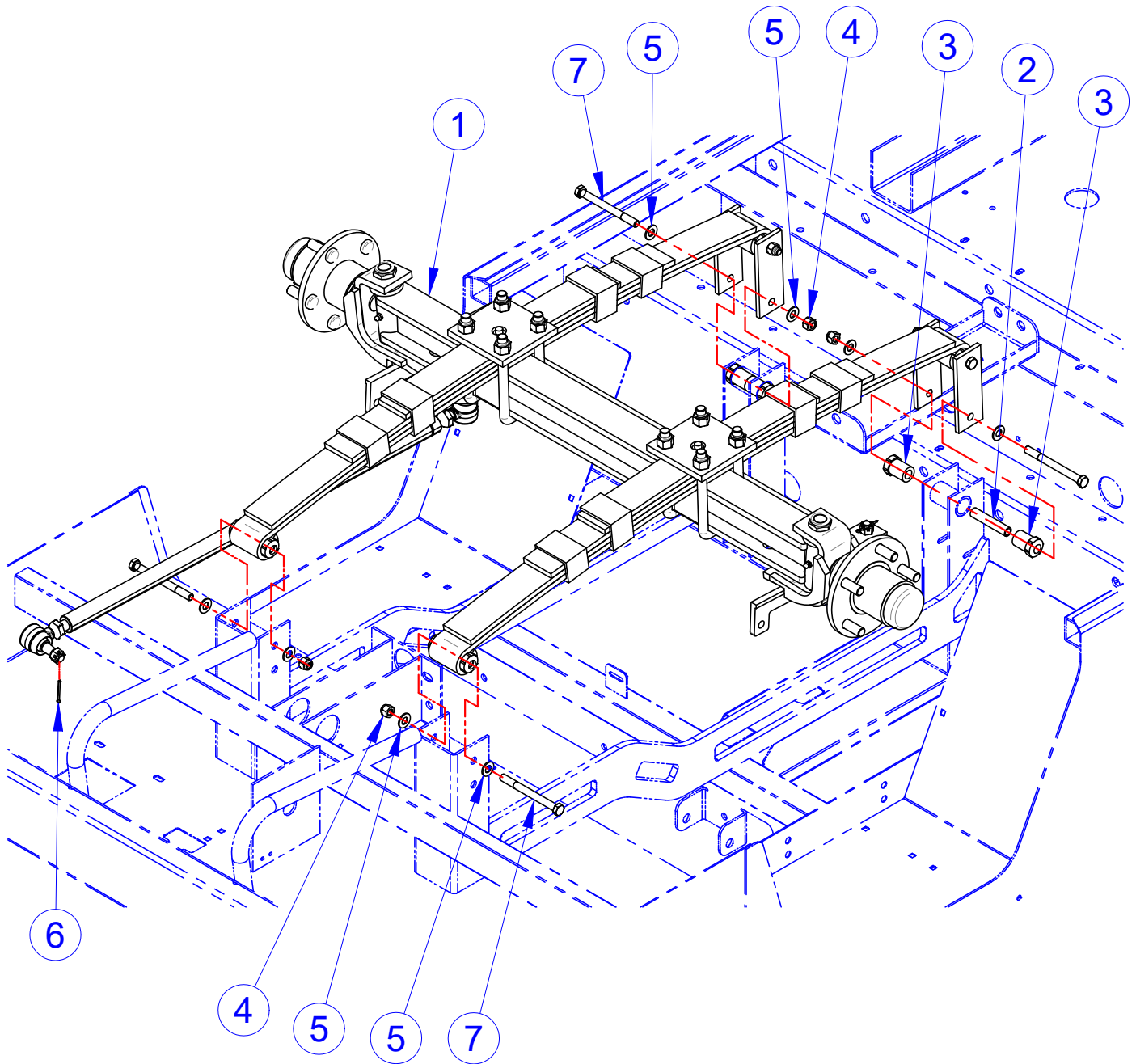
COLUMBIA

PAYLOADER

PARTS MANUAL SECTION 2

FRONT SUSPENSION/ STEERING

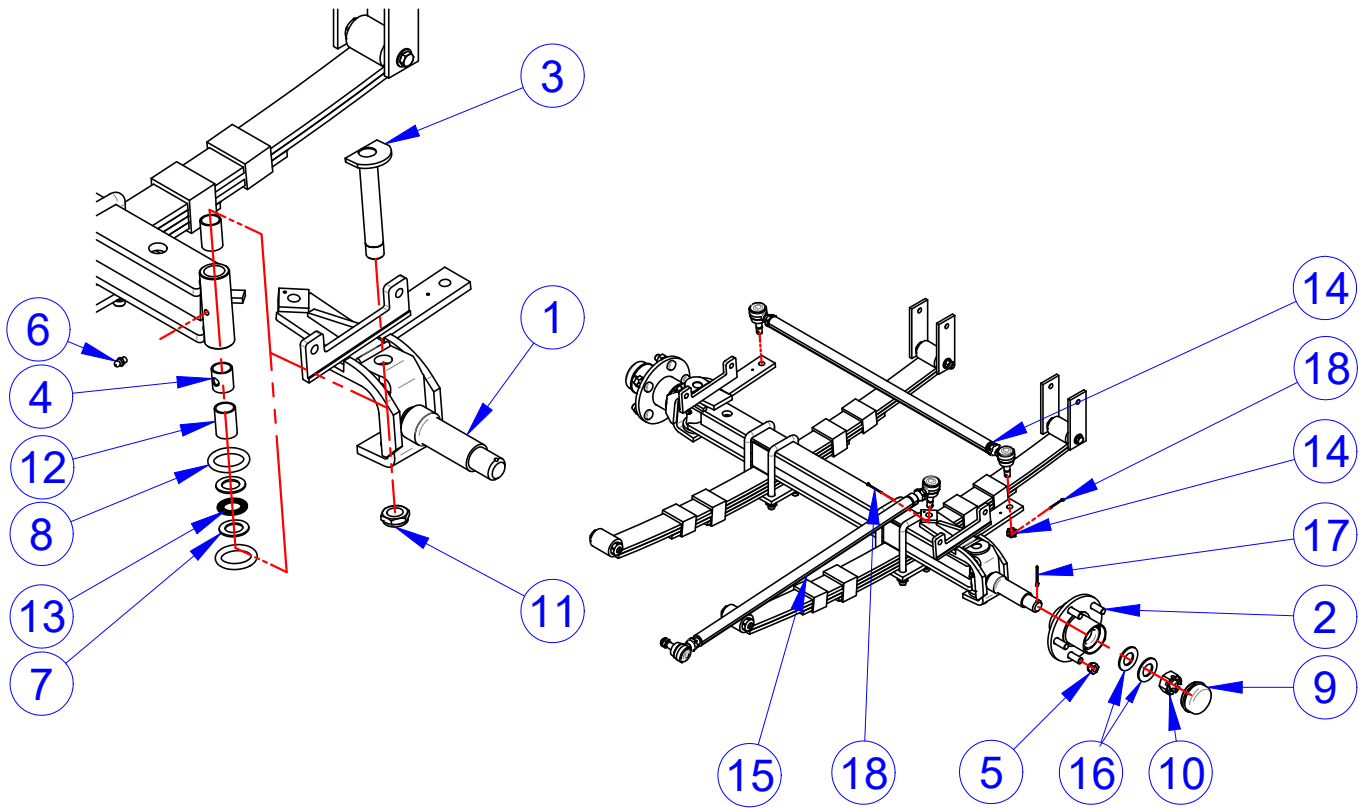
FRONT SUSPENSION



ITEM	PART #	DESCRIPTION	QTY	REF #
1	467391	FR SPNSN, W/O BRAKES, PL-STD/HVY	1	467391
	467392	FR SPNSN, BRAKES, PL-STD/HVY	1	467392
	467393	GROUP, FR SPNSN, BRAKES, PL-SUP	1	467393
2	519964PL	SPACER, 0.384X0.500X2.63	2	519964
3	709015	BUSHING, RUBBER, 1/2X 1-3/8	4	709015
4	782118	NUT, 3/8-16, L/N, NYL, NE, G8, MAGNI525	4	782118
5	782740	WSHR, 3/8(M10), SAE, F/W, G8, MAGNI525	8	782740
6	782952	PIN, 3/32X1-1/4, COTTER, 18-8 SS	1	782952
7	782963	SCR, 3/8-16 X 4, HHCS, G8, MAGNI 525	4	782963

NOTE: Items with * in tables indicates parts not shown in drawing

FRONT AXLE, NO BRAKES



ITEM	PART #	DESCRIPTION	QTY	REF #
1-18	467391	P&A KIT, FRONT AXLE, W/O BRAKES, PL	KIT	467391
1	313159WX	SPINDLE WLDMT, LH, TSR MOUNT, WX	1	313159
2	467799	BC FRT HUB ASSY	2	467799
3	467952	PNTD, KING PIN	2	467952
4	518482	BUSHING, .751 X .878 X .950 W/ HOLE	2	518482
5	709002	NUT, 1/2-20, TAPERED WHEEL	10	709002
6	709110	GREASE FITTING, 1/4" DRIVE, STRAIGHT	2	709110
7	709217	WASHER, NEEDLE THRUST	4	709217
8	709218	O-RING,#332,1-1/4X1/4	4	709218
9	709831	DUST CAP, 12842 HUB	2	709831
10	719859	NUT 1-14 GR 5 SLOTTED HEX CLR ZINC	2	719859
11	719861	NUT, 3/4-16 GR A NTE STYLE JAM NYLON	2	719861
12	719961	BUSHING, .751 X .878 X 1.25 OILITE	4	719961
13	719962	BEARING TORRINGTON NEEDLE THRUST	2	719962
14	468664	ASM, BC TIE ROD	1	468664
14	761609	BC TIE ROD ASM	1	761609
15	761610	BC DRAG LINK ASM	1	761610
16	761646	WASHER,1",F/W,18-8SS	4	761646
17	761647	PIN,1/8X1-1/2,COTTER,SS	2	761647
18	782952	PIN,3/32X1-1/4,COTTER,18-8 SS	3	782952

NOTE: Items with * in tables indicates parts not shown in drawing
 Columbia Vehicle Group, Inc.
 A Nordic Group Company | Business Ventures Since 1947



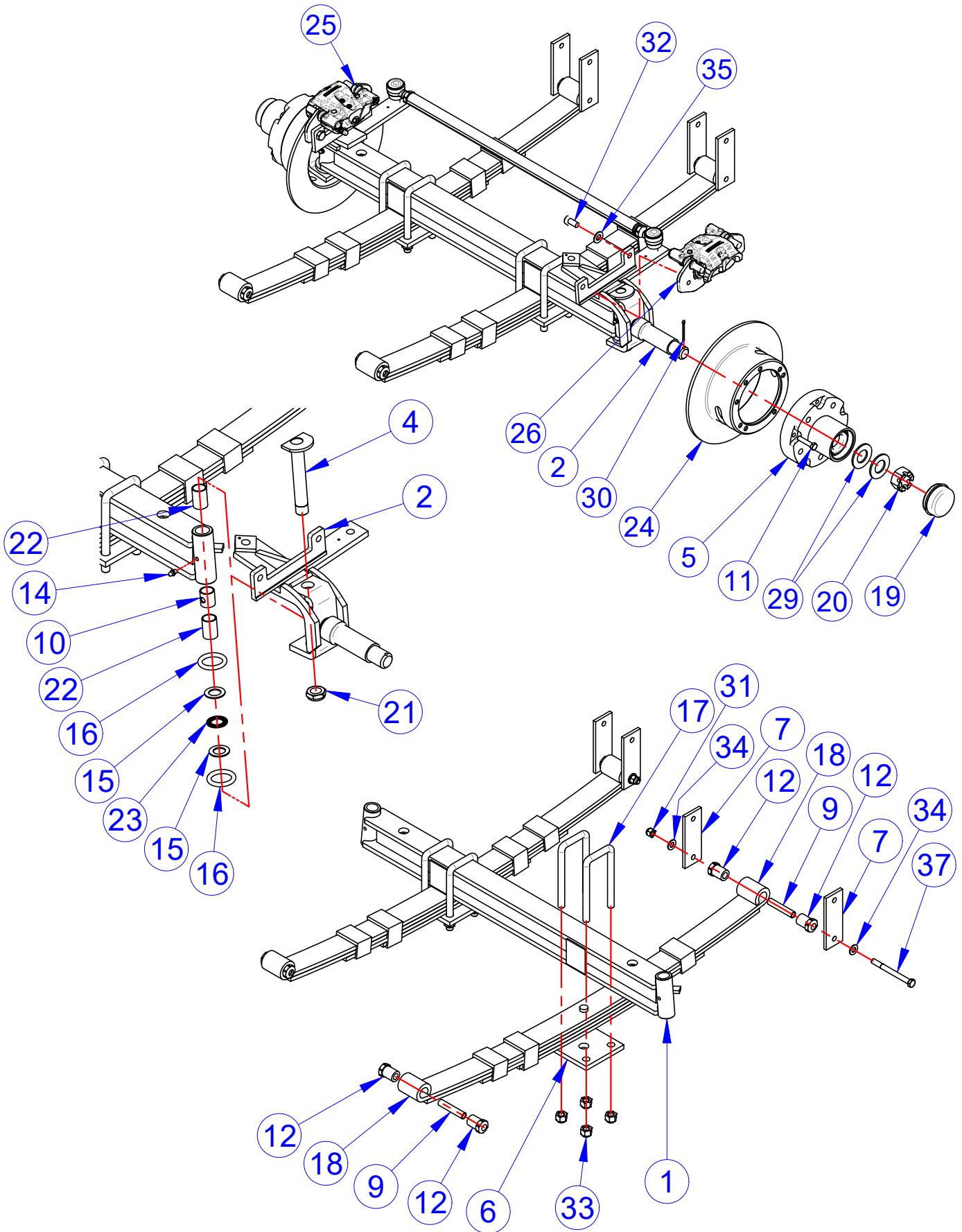
FRONT AXLE WITH BRAKE, STD/HVY

DRAWINGS FOR BILL OF MATERIALS ON THE FOLLOWING PAGE.

ITEM	PART #	DESCRIPTION	QTY	REF #
1	306096	WLDMT, FRONT AXLE ASSEMBLY	1	306096
2	313159WX	SPINDLE WLDMT, LH, TSR MOUNT, WX	1	313159
3*	313160WX	SPINDLE WLDMNT RH, TSR MNT, WX	1	313160
4	467952	PNTD, KING PIN	2	467952
5	468075	P&A ASSY, HUB BOLT ON DISC BRAKE	2	468075
6	510276	CPC FRONT AXLE SPRING PLATE	2	510276
7	510364	SUSP SPR SHACKLE	4	510364
8*	517751	OFFSET SPCR	2	517751
9	519964PL	SPACER, 0.384X0.500X2.63	4	519964
10	518482	BUSHING, .751 X .878 X .950 W/ HOLE	2	518482
11	707457	SCREW, 5/16-18 X 1-1/2 HEX HEAD CAP WITH PATCH	10	707457
12	709015	BUSHING, RUBBER, 1/2X 1-3/8	8	709015
13*	709082	LUG BOLT, WHEEL	10	709082
14	709110	GREASE FITTING, 1/4" DRIVE, STRAIGHT	2	709110
15	709217	WASHER, NEEDLE THRUST	4	709217
16	709218	O-RING, #332, 1-1/4X1/4	4	709218
17	709372	U-BOLT, 1/2-13X5-1/4, FRONT, MAGNI525BLK	4	709372
18	468295	LEAF SPRING ASSY, 4-LEAF, SUSPENSION	2	709382
19	709831	DUST CAP, 12842 HUB	2	709831
20	719859	NUT 1-14 GR 5 SLOTTED HEX CLR ZINC	2	719859
21	719861	NUT, 3/4-16 GR A NTE STYLE JAM NYLON	2	719861
22	719961	BUSHING, .751 X .878 X 1.25 OILITE	4	719961
23	719962	BEARING TORRINGTON NEEDLE THRUST	2	719962
24	761179	ROTOR, DISC BRAKE - DUAL PATTERN	2	761179
25	761269	TITAN, RH CALIPER, FRONT	1	761269
26	761270	TITAN, LH CALIPER, FRONT	1	761270
27*	468664	ASM, BC TIE ROD	1	468664
27*	761609	BC TIE ROD ASM	1	761609
28*	761610	BC DRAG LINK ASM	1	761610
29	761646	WASHER, 1", F/W, 18-8SS	4	761646
30	761647	PIN, 1/8X1-1/2, COTTER, SS	2	761647
31	782118	NUT, 3/8-16, L/N, NYL, NE, G8, MAGNI525	2	782118
32	782563	SCREW, M10X1.25X20MM 8.8 GRADE	4	782563
33	782739	NUT, 1/2-13, L/N, NYL, NE, G8, MAGNI 525	8	782739
34	782740	WSHR, 3/8(M10), SAE, F/W, G8, MAGNI525	4	782740
35	782752	WSHR, 7/16 (M11), SAE, F/W, G8, MAGNI 525	4	782752
36*	782952	PIN, 3/32X1-1/4, COTTER, 18-8 SS	3	782952
37	782963	SCR, 3/8-16 X 4, HHCS, G8, MAGNI 525	2	782963

NOTE: Items with * in tables indicates parts not shown in drawing

FRONT AXLE WITH BRAKE, STD/HVY



NOTE: Items with * in tables indicates parts not shown in drawing

Columbia Vehicle Group, Inc.
A Nordic Group Company | Business Ventures Since 1947



FRONT AXLE WITH BRAKE, SUP

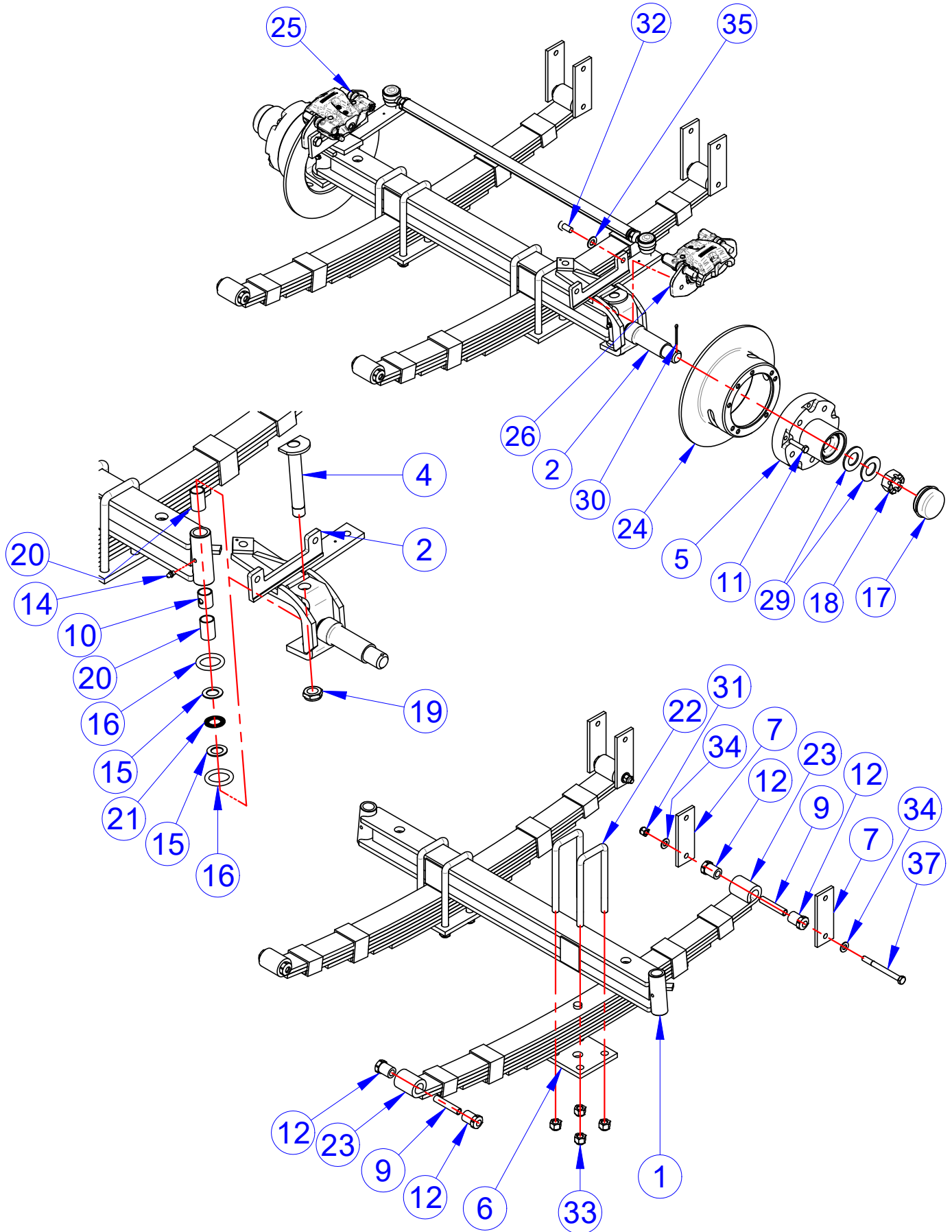
DRAWINGS FOR BILL OF MATERIALS ON THE FOLLOWING PAGE.

ITEM	PART #	DESCRIPTION	QTY	REF #
1	306096	WLDMT, FRONT AXLE ASSEMBLY	1	306096
2	313159WX	SPINDLE WLDMT, LH, TSR MOUNT, WX	1	313159
3*	313160WX	SPINDLE WLDMNT RH, TSR MNT, WX	1	313160
4	467952	PNTD, KING PIN	2	467952
5	468075	P&A ASSY, HUB BOLT ON DISC BRAKE	2	468075
6	510276	CPC FRONT AXLE SPRING PLATE	2	510276
7	510364	SUSP SPR SHACKLE	4	510364
8*	517751	OFFSET SPCR	2	517751
9	519964PL	SPACER, 0.384X0.500X2.63	4	519964
10	518482	BUSHING, .751 X .878 X .950 W/ HOLE	2	518482
11	707457	SCREW, 5/16-18 X 1-1/2 HEX HEAD CAP WITH PATCH	10	707457
12	709015	BUSHING, RUBBER, 1/2X 1-3/8	8	709015
13*	709082	LUG BOLT, WHEEL	10	709082
14	709110	GREASE FITTING, 1/4" DRIVE, STRAIGHT	2	709110
15	709217	WASHER, NEEDLE THRUST	4	709217
16	709218	O-RING, #332, 1-1/4X1/4	4	709218
17	709831	DUST CAP, 12842 HUB	2	709831
18	719859	NUT 1-14 GR 5 SLOTTED HEX CLR ZINC	2	719859
19	719861	NUT, 3/4-16 GR A NTE STYLE JAM NYLON	2	719861
20	719961	BUSHING, .751 X .878 X 1.25 OILITE	4	719961
21	719962	BEARING TORRINGTON NEEDLE THRUST	2	719962
22	1030585	U-BLT 1/2-13 X 6.25IL X 2.12IW M525	4	1030585
23	468297	P&A SET, SPRING 7 LEAF	2	468297
24	761179	ROTOR, DISC BRAKE - DUAL PATTERN	2	761179
25	761269	TITAN, RH CALIPER, FRONT	1	761269
26	761270	TITAN, LH CALIPER, FRONT	1	761270
27*	468664	ASM, BC TIE ROD	1	468664
27*	761609	BC TIE ROD ASM	1	761609
28*	761610	BC DRAG LINK ASM	1	761610
29	761646	WASHER, 1", F/W, 18-8SS	4	761646
30	761647	PIN, 1/8X1-1/2, COTTER, SS	2	761647
31	782118	NUT, 3/8-16, L/N, NYL, NE, G8, MAGNI525	2	782118
32	782563	SCREW, M10X1.25X20MM 8.8 GRADE	4	782563
33	782739	NUT, 1/2-13, L/N, NYL, NE, G8, MAGNI 525	8	782739
34	782740	WSHR, 3/8(M10), SAE, F/W, G8, MAGNI525	4	782740
35	782752	WSHR, 7/16 (M11), SAE, F/W, G8, MAGNI 525	4	782752
36*	782952	PIN, 3/32X1-1/4, COTTER, 18-8 SS	3	782952
37	782963	SCR, 3/8-16 X 4, HHCS, G8, MAGNI 525	2	782963

NOTE: Items with * in tables indicates parts not shown in drawing



FRONT AXLE WITH BRAKE, SUP



NOTE: Items with * in tables indicates parts not shown in drawing

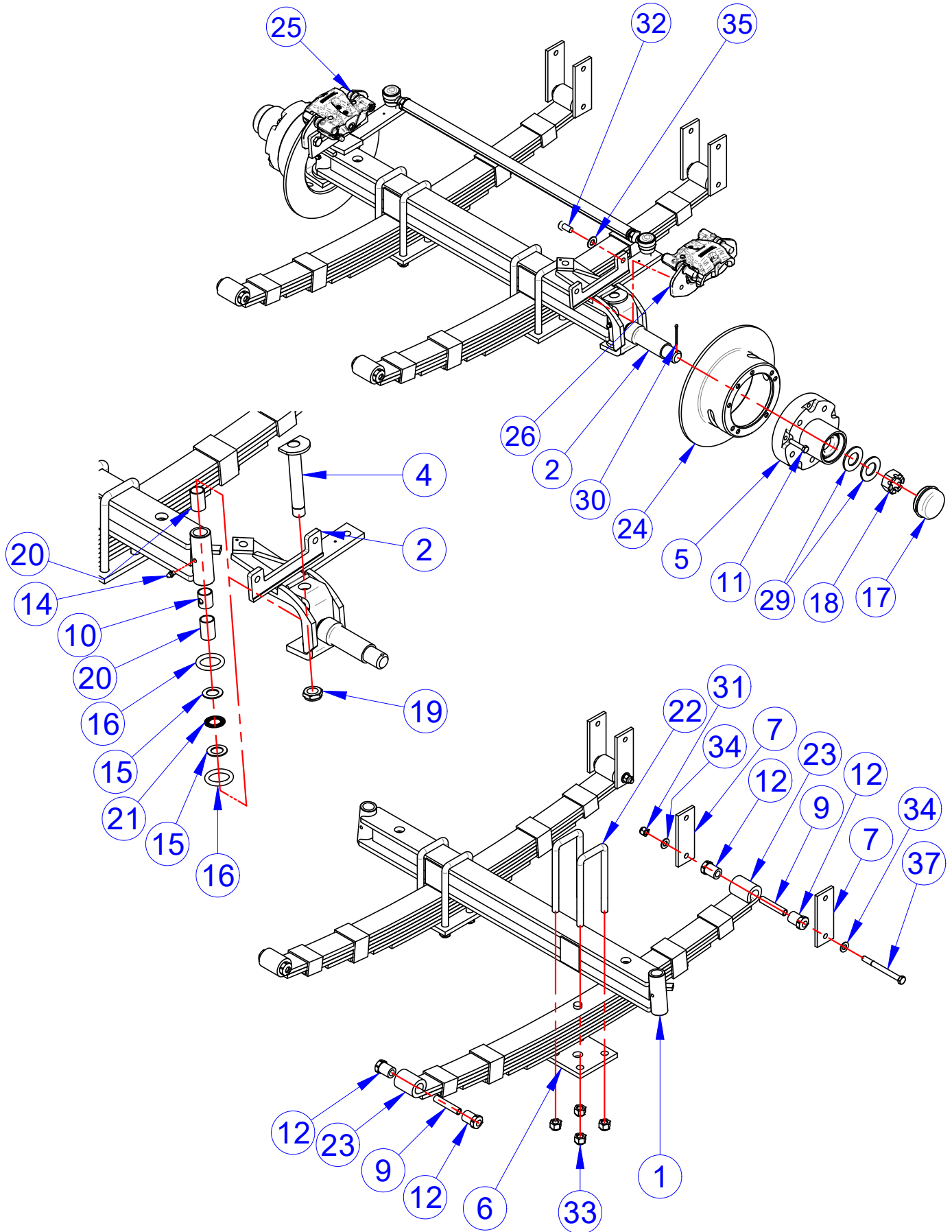
FRONT AXLE WITH BRAKE, EXT

DRAWINGS FOR BILL OF MATERIALS ON THE FOLLOWING PAGE.

ITEM	PART #	DESCRIPTION	QTY	REF #
1	306096	WLDMT, FRONT AXLE ASSEMBLY	1	306096
2	313159WX	SPINDLE WLDMT, LH, TSR MOUNT, WX	1	313159
3*	313160WX	SPINDLE WLDMNT RH, TSR MNT, WX	1	313160
4	467952	PNTD, KING PIN	2	467952
5	468075	P&A ASSY, HUB BOLT ON DISC BRAKE	2	468075
6	510276	CPC FRONT AXLE SPRING PLATE	2	510276
7	510364	SUSP SPR SHACKLE	4	510364
8*	517751	OFFSET SPCR	2	517751
9	519964PL	SPACER, 0.384X0.500X2.63	4	519964
10	518482	BUSHING, .751 X .878 X .950 W/ HOLE	2	518482
11	707457	SCREW, 5/16-18 X 1-1/2 HEX HEAD CAP WITH PATCH	10	707457
12	709015	BUSHING, RUBBER, 1/2X 1-3/8	8	709015
13*	709082	LUG BOLT, WHEEL	10	709082
14	709110	GREASE FITTING, 1/4" DRIVE, STRAIGHT	2	709110
15	709217	WASHER, NEEDLE THRUST	4	709217
16	709218	O-RING, #332, 1-1/4X1/4	4	709218
17	709831	DUST CAP, 12842 HUB	2	709831
18	719859	NUT 1-14 GR 5 SLOTTED HEX CLR ZINC	2	719859
19	719861	NUT, 3/4-16 GR A NTE STYLE JAM NYLON	2	719861
20	719961	BUSHING, .751 X .878 X 1.25 OILITE	4	719961
21	719962	BEARING TORRINGTON NEEDLE THRUST	2	719962
22	1030585	U-BLT 1/2-13 X 6.25IL X 2.12IW M525	4	1030585
23	468297	P&A SET, SPRING 7 LEAF	2	468297
24	761179	ROTOR, DISC BRAKE - DUAL PATTERN	2	761179
25	761269	TITAN, RH CALIPER, FRONT	1	761269
26	761270	TITAN, LH CALIPER, FRONT	1	761270
27*	468664	ASM, BC TIE ROD	1	468664
27*	761609	BC TIE ROD ASM	1	761609
28*	761610	BC DRAG LINK ASM	1	761610
29	761646	WASHER, 1", F/W, 18-8SS	4	761646
30	761647	PIN, 1/8X1-1/2, COTTER, SS	2	761647
31	782118	NUT, 3/8-16, L/N, NYL, NE, G8, MAGNI525	2	782118
32	782563	SCREW, M10X1.25X20MM 8.8 GRADE	4	782563
33	782739	NUT, 1/2-13, L/N, NYL, NE, G8, MAGNI 525	8	782739
34	782740	WSHR, 3/8(M10), SAE, F/W, G8, MAGNI525	4	782740
35	782752	WSHR, 7/16 (M11), SAE, F/W, G8, MAGNI 525	4	782752
36*	782952	PIN, 3/32X1-1/4, COTTER, 18-8 SS	3	782952
37	782963	SCR, 3/8-16 X 4, HHCS, G8, MAGNI 525	2	782963

NOTE: Items with * in tables indicates parts not shown in drawing

FRONT AXLE WITH BRAKE, EXT

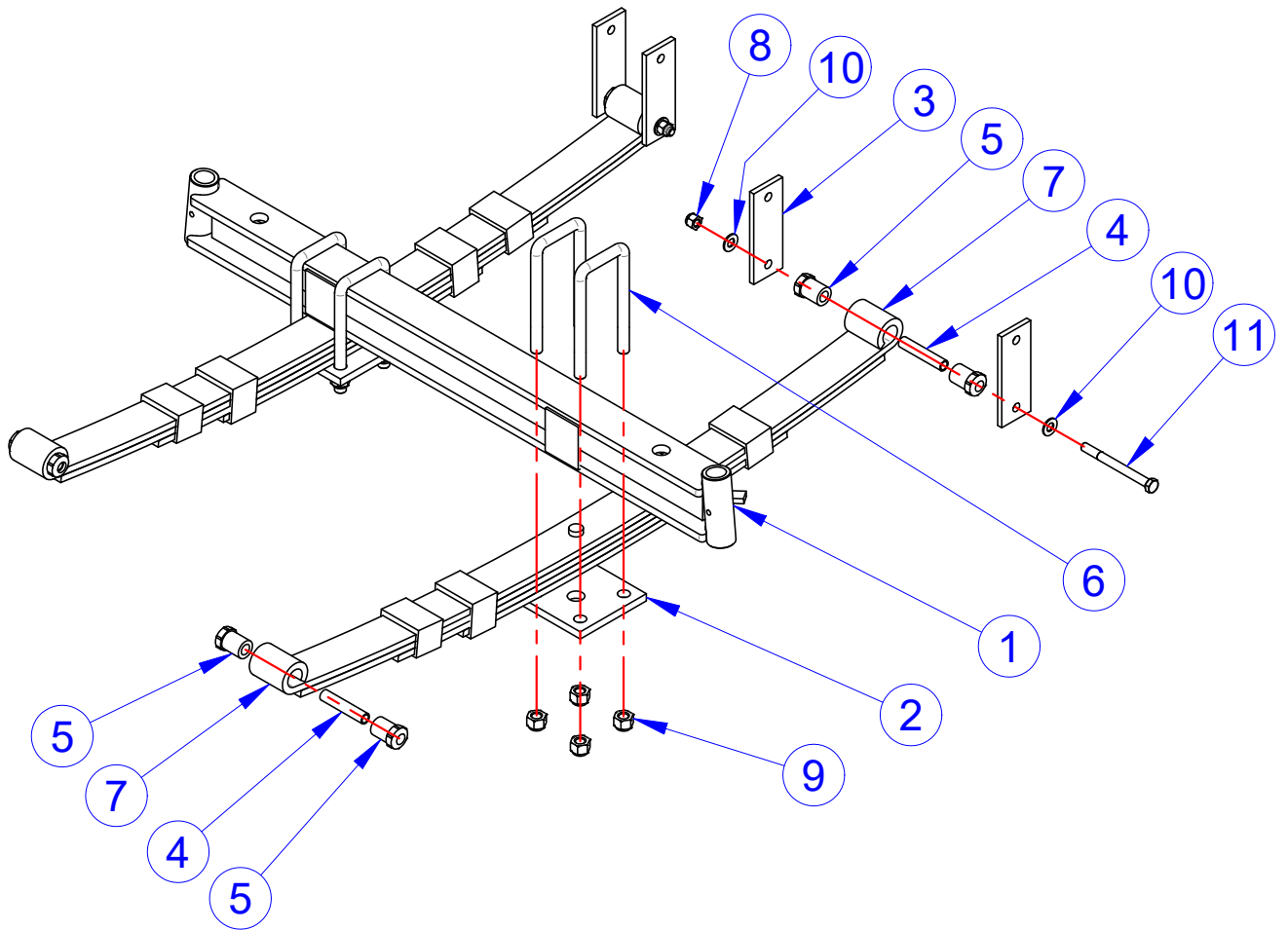


NOTE: Items with * in tables indicates parts not shown in drawing

Columbia Vehicle Group, Inc.
A Nordic Group Company | Business Ventures Since 1947



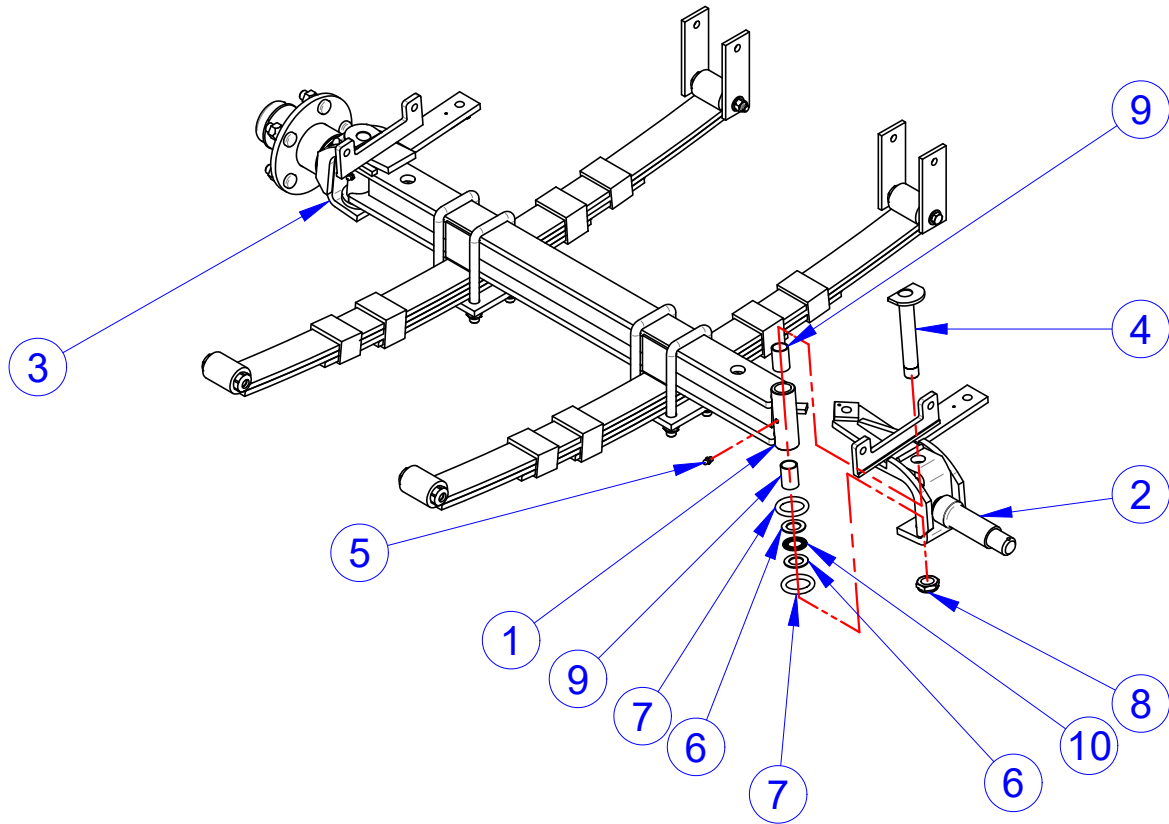
FRONT SUSPENSION SPRINGS



ITEM	PART #	DESCRIPTION	QTY	REF #
1	306096	WLDMT, FRONT AXLE ASSEMBLY	1	306096
2	510276	CPC FRONT AXLE SPRING PLATE	2	510276
3	510364	SUSP SPR SHACKLE	4	510364
4	519964PL	SPACER, 0.384X0.500X2.63	4	519964
5	709015	BUSHING, RUBBER, 1/2X 1-3/8	8	709015
6	709372	U-BOLT, 1/2-13X5-1/4, FRONT, MAGNI525BLK	4	709372
7	468295	P&A SET, LEAF SPRING ASSY, 4-LEAF, SUSPENSION	SET	709382
	468296	P&A SET, LEAF SPRNG ASM, 6-LEAF SSPN	SET	709540
	468297	P&A SET, SPRING 7 LEAF	SET	739587
8	782118	NUT, 3/8-16, L/N, NYL, NE, G8, MAGNI525	2	782118
9	782739	NUT, 1/2-13, L/N, NYL, NE, G8, MAGNI 525	8	782739
10	782740	WSHR, 3/8(M10), SAE, F/W, G8, MAGNI525	4	782740
11	782963	SCR, 3/8-16 X 4, HHCS, G8, MAGNI 525	2	782963

NOTE: Items with * in tables indicates parts not shown in drawing

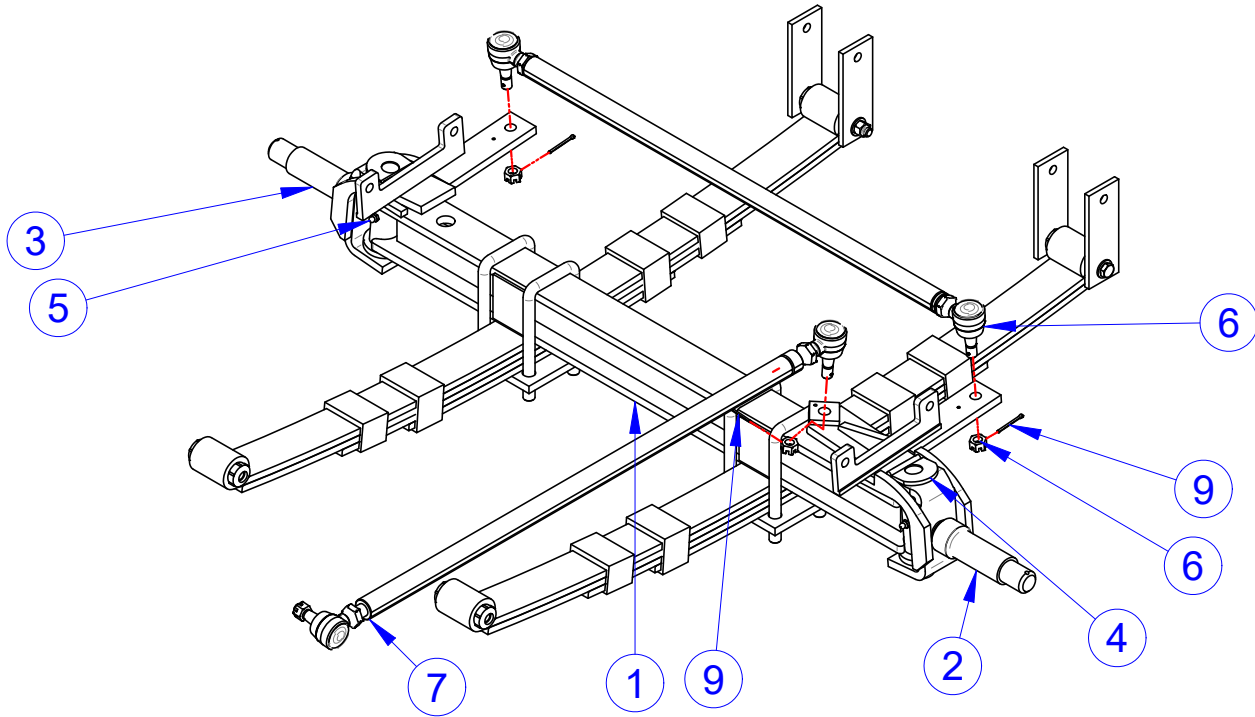
FRONT AXLE ASSEMBLY



ITEM	PART #	DESCRIPTION	QTY	REF #
1	306096	WLDMT, FRONT AXLE ASSEMBLY	1	306096
2	313159WX	SPINDLE WLDMT, LH, TSR MOUNT, WX	1	313159
3	313160WX	SPINDLE WLDMNT RH, TSR MNT, WX	1	313160
4	467952	PNTD, KING PIN	2	467952
5	709110	GREASE FITTING, 1/4" DRIVE, STRAIGHT	2	709110
6	709217	WASHER, NEEDLE THRUST	4	709217
7	709218	O-RING,#332,1-1/4X1/4	4	709218
8	719861	NUT, 3/4-16 GR A NTE STYLE JAM NYLON	2	719861
9	719961	BUSHING, .751 X .878 X 1.25 OILITE	4	719961
10	719962	BEARING TORRINGTON NEEDLE THRUST	2	719962

NOTE: Items with * in tables indicates parts not shown in drawing

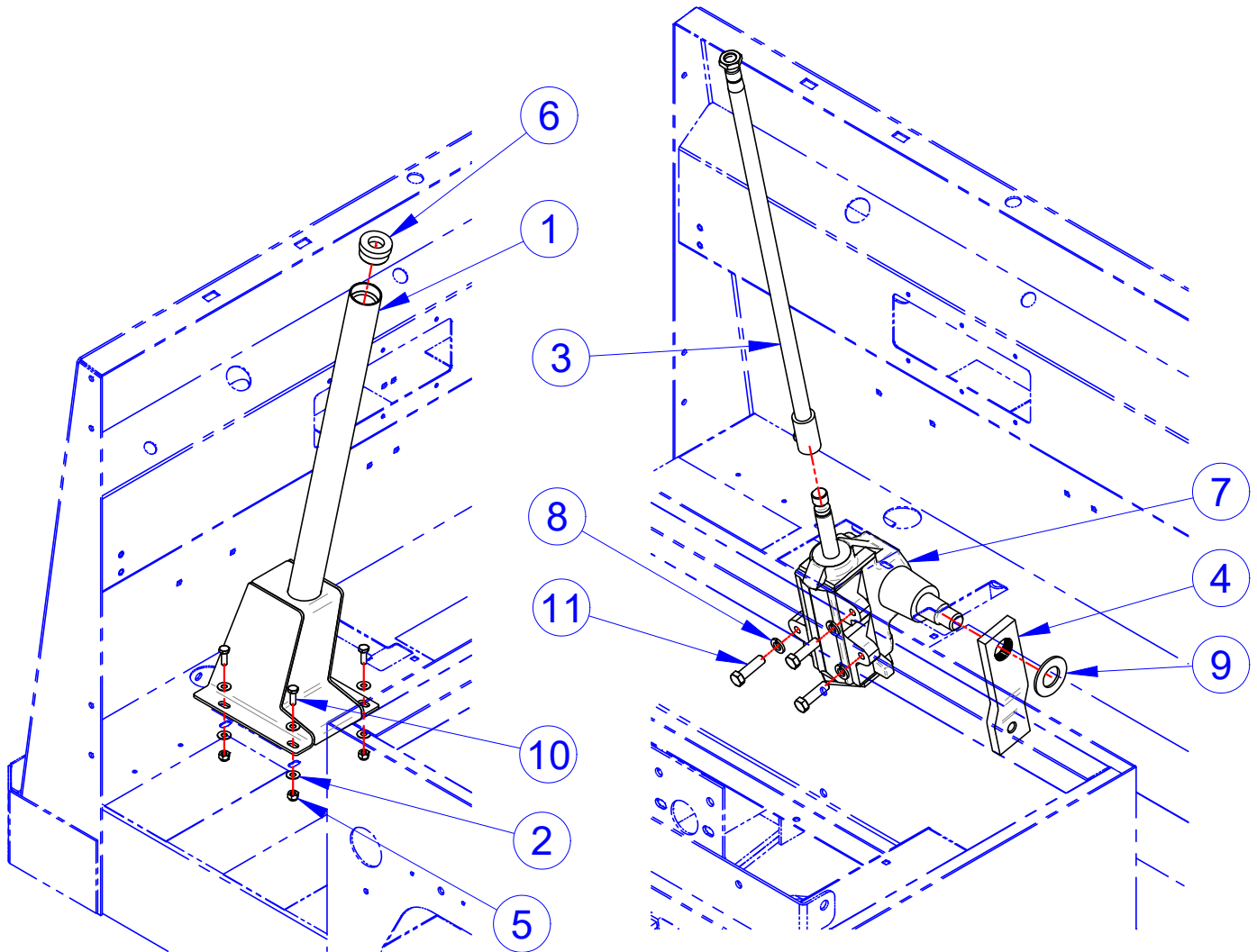
FRONT AXLE STEERING



ITEM	PART #	DESCRIPTION	QTY	REF #
1	306096	WLDMT, FRONT AXLE ASSEMBLY	1	306096
2	313159WX	SPINDLE WLDMT, LH, TSR MOUNT, WX	1	313159
3	313160WX	SPINDLE WLDMNT RH, TSR MNT, WX	1	313160
4	467952	PNTD, KING PIN	2	467952
5	709110	GREASE FITTING, 1/4" DRIVE, STRAIGHT	2	709110
6	468664	ASM, BC TIE ROD	1	468664
6	761609	BC TIE ROD ASM	1	761609
7	761610	BC DRAG LINK ASM	1	761610
8*	761646	WASHER, 1", F/W, 18-8SS	2	761646
9	782952	PIN, 3/32X1-1/4, COTTER, 18-8 SS	3	782952

NOTE: Items with * in tables indicates parts not shown in drawing

STEERING COLUMN



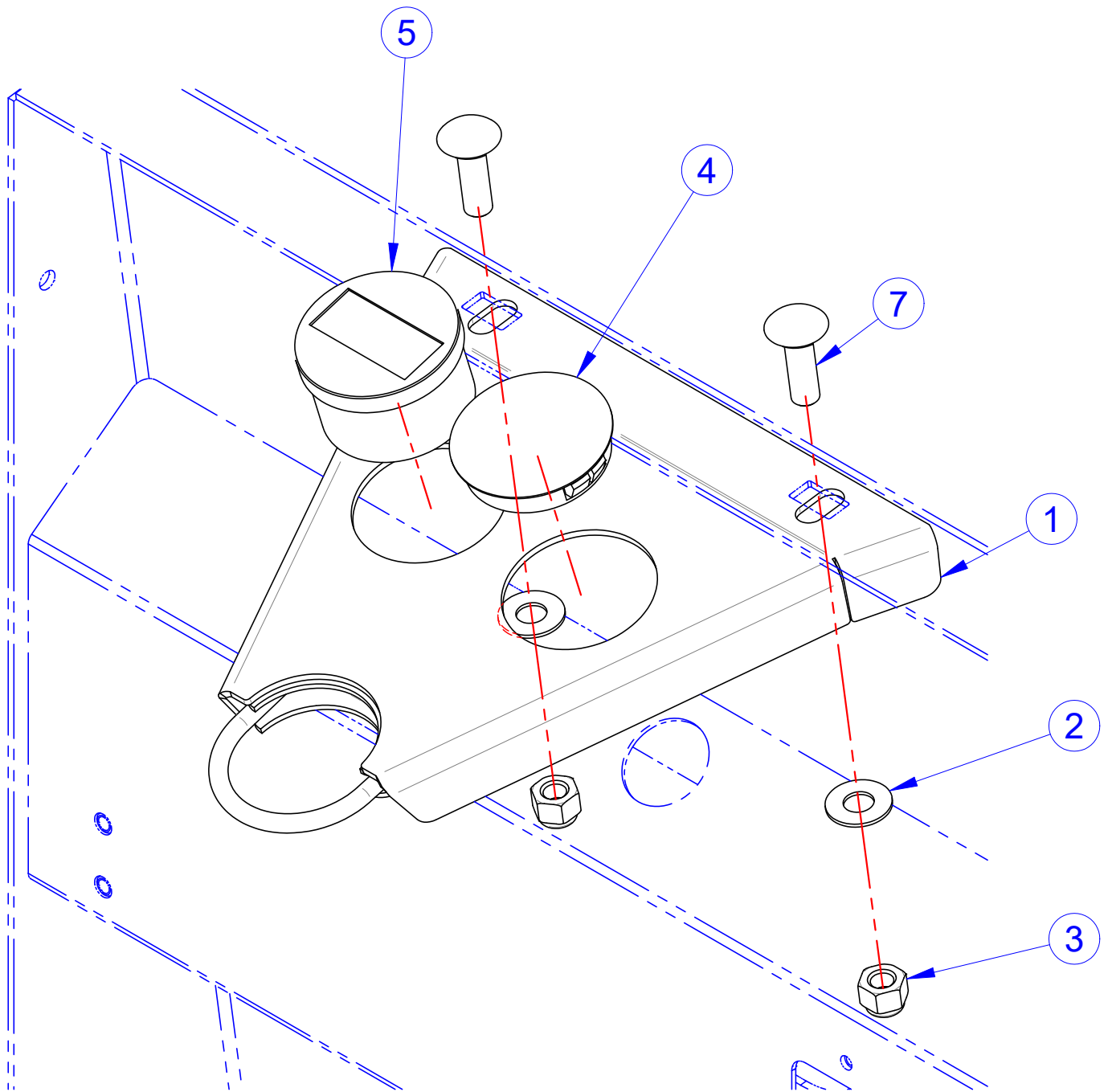
ITEM	PART #	DESCRIPTION	QTY	REF #
1	311694TB	WLDMT, STEERING COLUMN, BC	1	311694
2	708511	WASHER, FLAT, 1/4", 18-8SS	8	708511
3	1017520	STEERING SHAFT, 25"	1	1017520
4	761866	PITMAN ARM, STEERING GEARBOX, PL	1	761866
5	719876	NUT, 1/4-20, L/N, NYL, NE, 316, S/S	4	719876
6	739636	BEARING, COLUMN	1	739636
7	761872	STEERING GEAR BOX, BC	1	761872
8	761640	WASHER, 7/16 LOCK, S-SPLIT, L/W, 18-8 SS	3	761640
9	761646	WASHER, 1", F/W, 18-8SS	1	761646
10	782784	SCREW, 1/4-20X3/4, HHCS, 18-8SS	4	782784
11	782791	SCREW, 7/16-14X1.50, HHCS, 18-8SS	3	782791

NOTE: Items with * in tables indicates parts not shown in drawing

Columbia Vehicle Group, Inc.
A Nordic Group Company | Business Ventures Since 1947



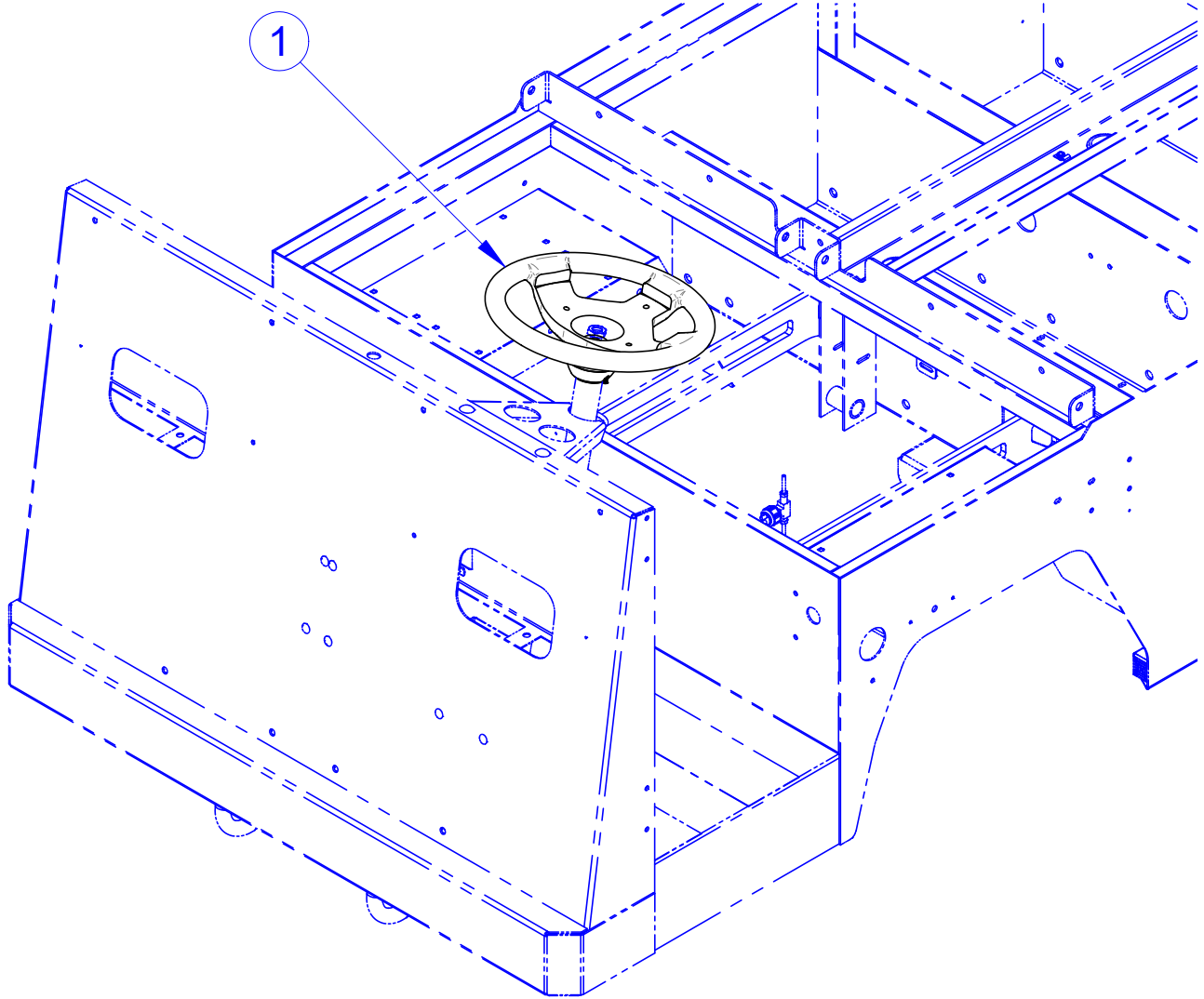
STEERING WHEEL, SMARTVIEW DISPLAY



ITEM	PART #	DESCRIPTION	QTY	REF #
1	306117TB	WLDMT, UPR STRG CLMN SPRT	1	306117
2	708859	WASHER, 3/8, STD, FW, 18-8SS	2	708859
3	708860	NUT, 3/8-16, L/N, NYL, NE, 18-8, S/S	2	708860
4	719214	DOME PLUG, BLACK (FITS 2.00" HOLE)	1	719214
5	761154	DISPLAY, SMART VIEW	1	761154
6*	761157	HARNESS, DISPLAY ADAPTER, AC DR	1	761157
7	782724	SCR, 3/8-16 X 1.25, CARR, 18-8, S/S	2	782724

NOTE: Items with * in tables indicates parts not shown in drawing

STEERING WHEEL



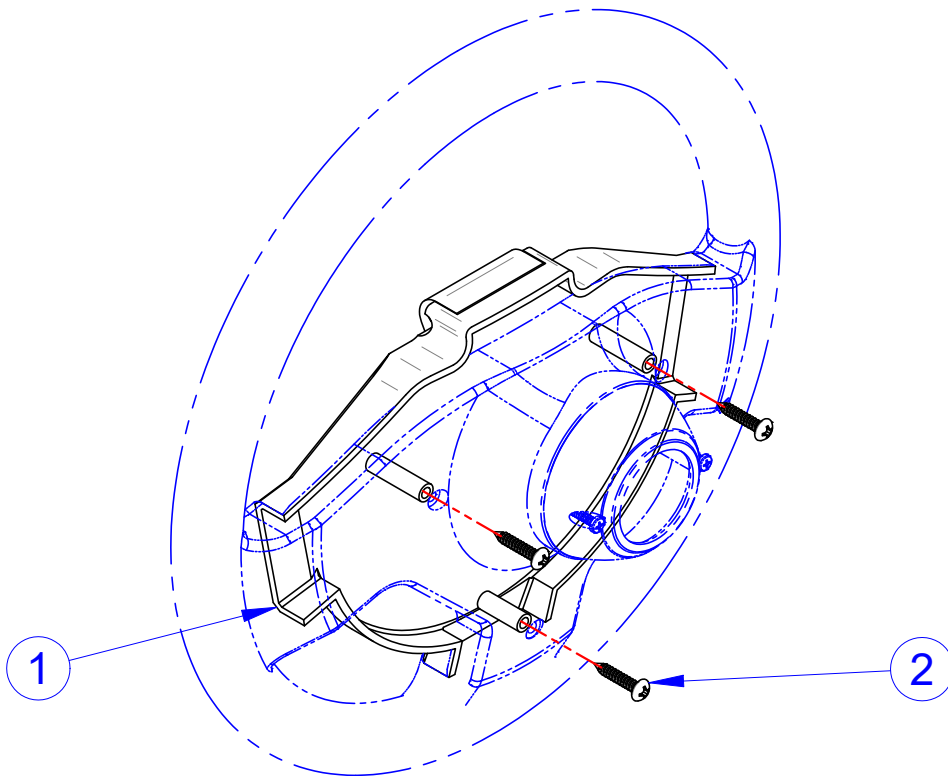
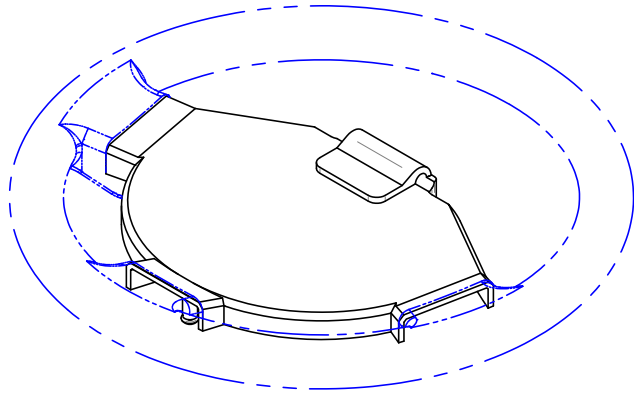
ITEM	PART #	DESCRIPTION	QTY	REF #
1	463399	ASM, STEERING WHEEL, SPORT	1	463399

NOTE: Items with * in tables indicates parts not shown in drawing

Columbia Vehicle Group, Inc.
A Nordic Group Company | Business Ventures Since 1947



STEERING COVER, SCORECARD HOLDER



ITEM	PART #	DESCRIPTION	QTY	REF #
1	709043	SCORECARD HOLDER	1	709043
2	729263	SCREW #10X1,PPH,T/S,TA, MAGNI 525	3	729263

NOTE: Items with * in tables indicates parts not shown in drawing



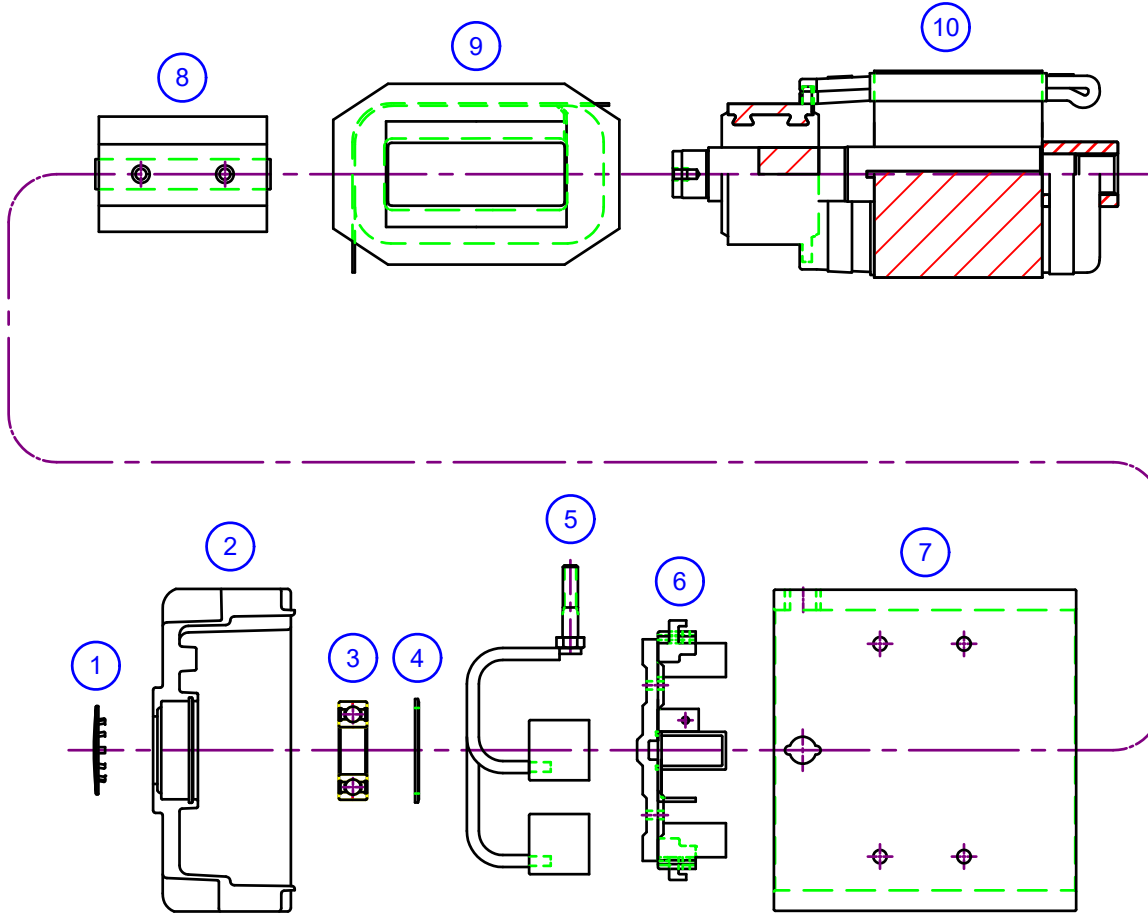
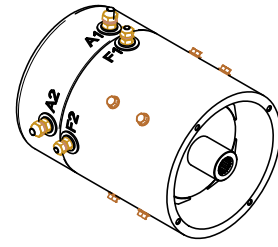
COLUMBIA

PAYLOADER

PARTS MANUAL SECTION 3

REAR SUSPENSION/ DRIVE TRAIN

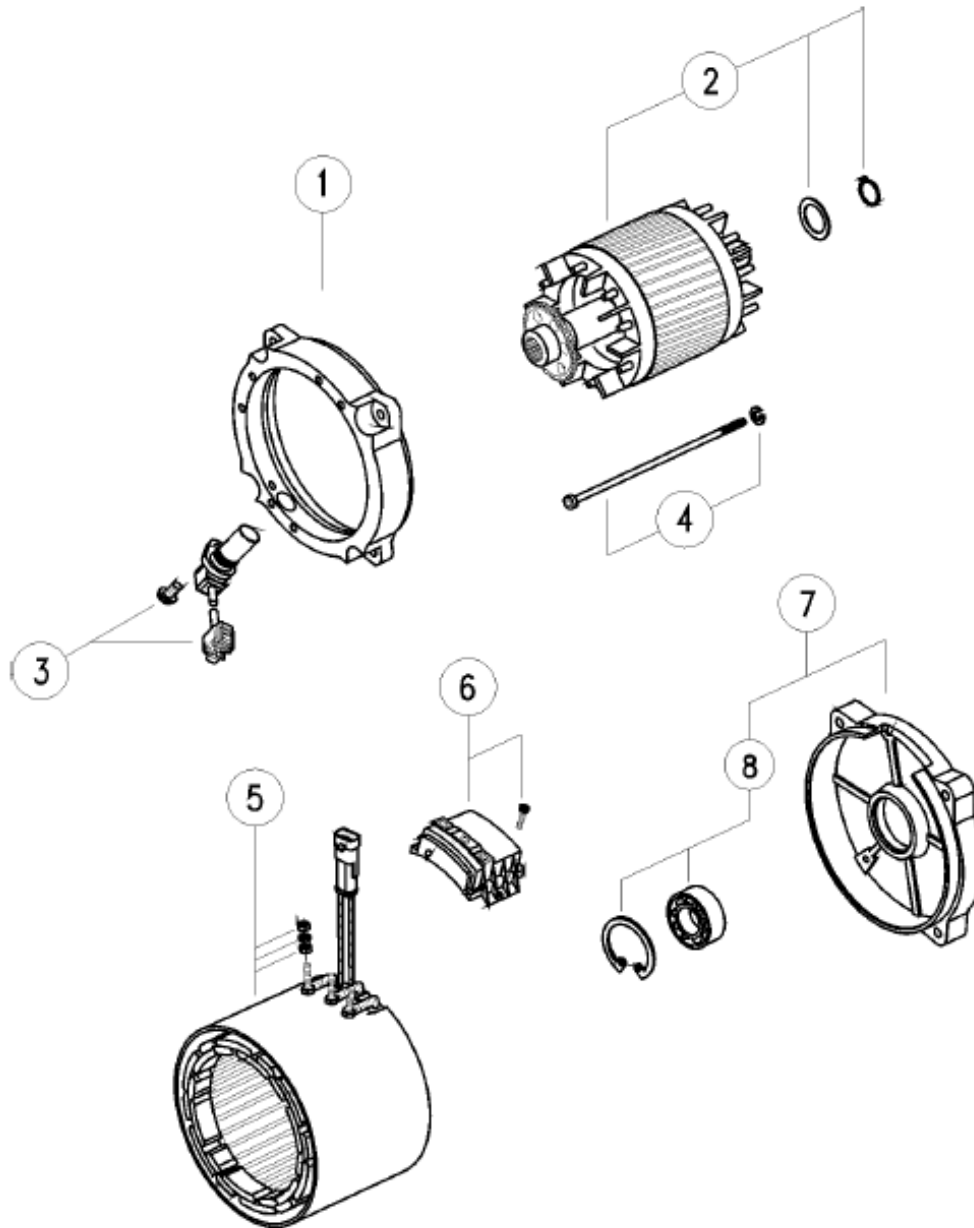
48V MOTOR



ITEM	PART #	DESCRIPTION	QTY	REF #
1	N/A	HOLE PLUG	1	N/A
2	N/A	CUMMUTATOR END HEAD	1	N/A
3	759896	BEARING	1	759896
4	N/A	RETAINING RING	1	N/A
5	759780	BRUSH ASSY.	2	759780
6	759781	BRUSH BOX ASSY	1	759781
7	N/A	MOTOR FRAME	1	N/A
8	N/A	POLE SHOE ASSY.	4	N/A
9	N/A	SHUNT COIL ASSY	1	N/A
10	N/A	ARMATURE ASSY	1	N/A

NOTE: Items with * in tables indicates parts not shown in drawing

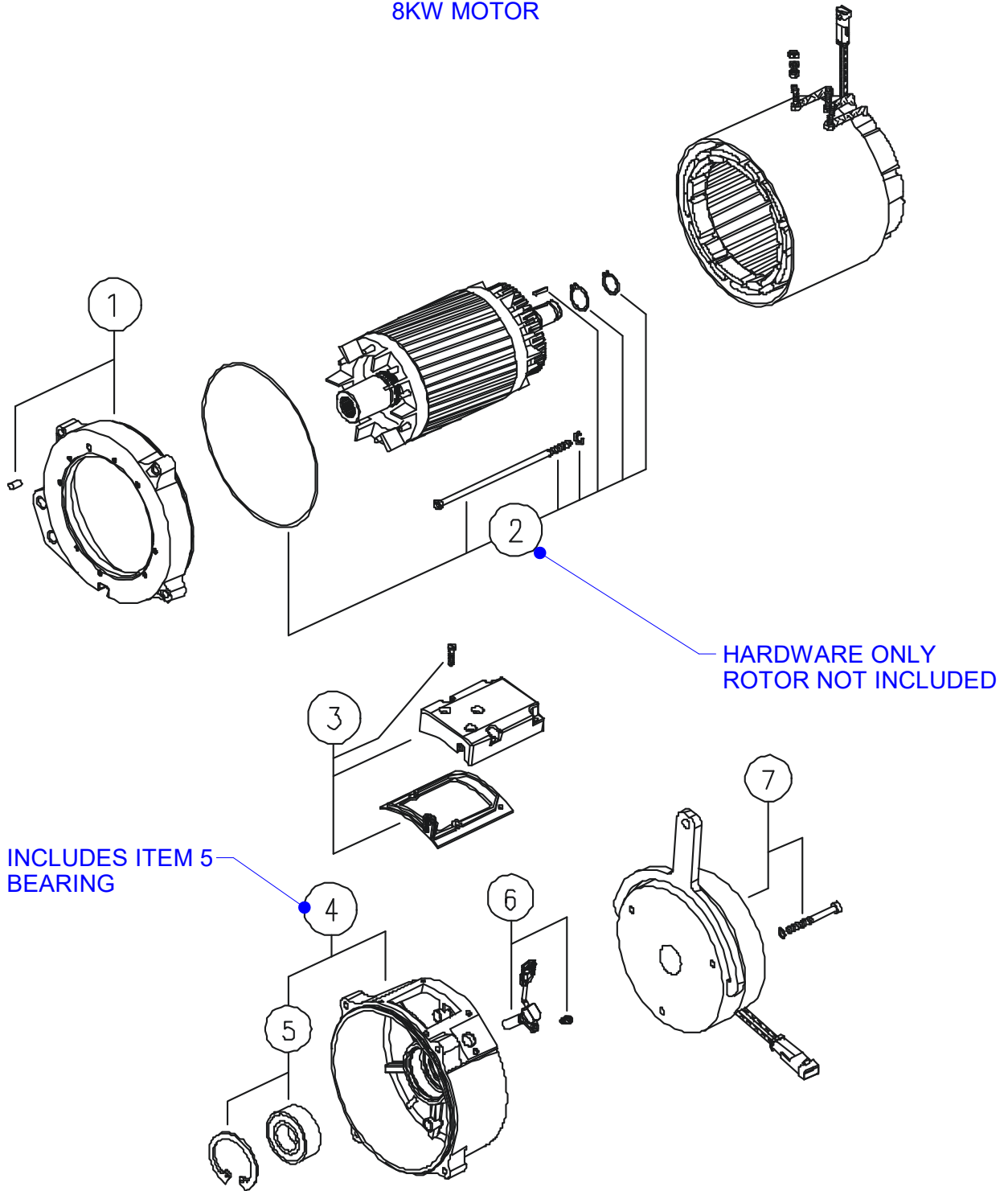
5KW MOTOR



ITEM	PART #	DESCRIPTION	QTY	REF #
1-9	194889U	P&A KIT, 5KW MOTOR EMBRAKE, PT1000	1	194889
1	761670	BRKT, DRIVE END, 5KW	1	761670
2	761671	ARMATURE, 5KW	1	761671
3	761623	SENSOR, LETRIKA MOTOR SPEED	1	761623
4	761676	BOLT, MOTOR STAY, 5KW	1	761676
5	N/A	STATOR	1	N/A
6	761675	PLATE, CONNECTION, 5KW	1	761675
7	761674	BRACKET, REAR END, 5KW	1	761674
8	761622	BEARING, 8KW MOTOR	1	761622
9*	761672	EM BRAKE, 5KW	1	761672

NOTE: Items with * in tables indicates parts not shown in drawing

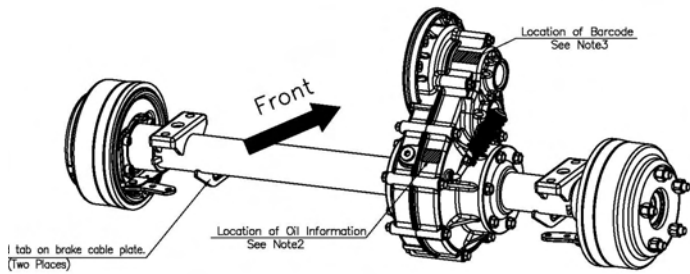
8KW MOTOR



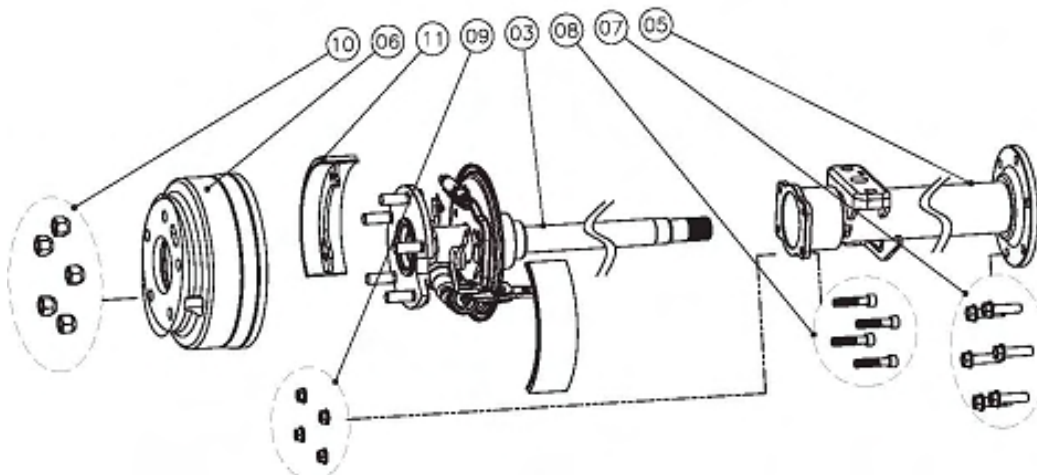
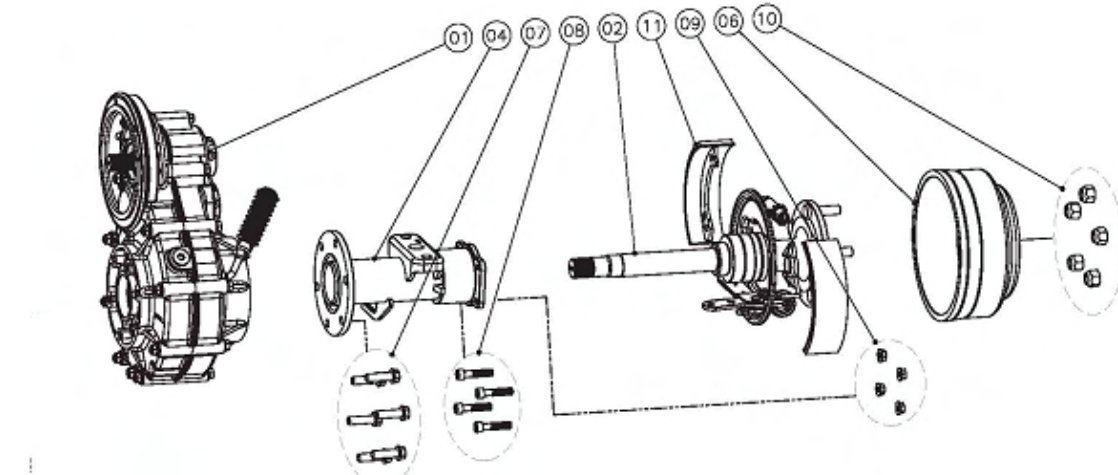
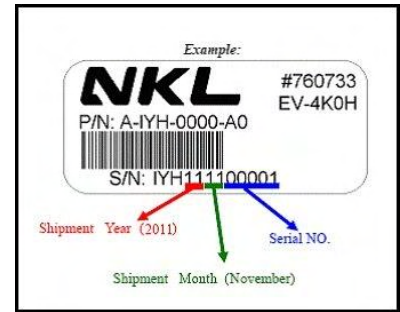
ITEM	PART #	DESCRIPTION	QTY	REF #
1-7	761699	MOTOR, 8KW, EM BRAKE, PT1000	1	761699
1	761620	FIXING SET	1	761620
2	761621	BRACKET, DRIVE END	1	761621
3	761625	PLATE, CONNECTION	1	761625
4	761621	BRACKET, REAR END	1	761621
5	761622	BEARING, 8KW MOTOR	1	761622
6	761623	SENSOR, MOTOR SPEED	1	761623
7	761624	BRAKE, 8KW MOTOR	1	761624

NOTE: Items with * in tables indicates parts not shown in drawing

NKL AXLE SHAFT COMPONENTS



Gear Oil SAE #80
Draining 600ml
Disassembly 800ml

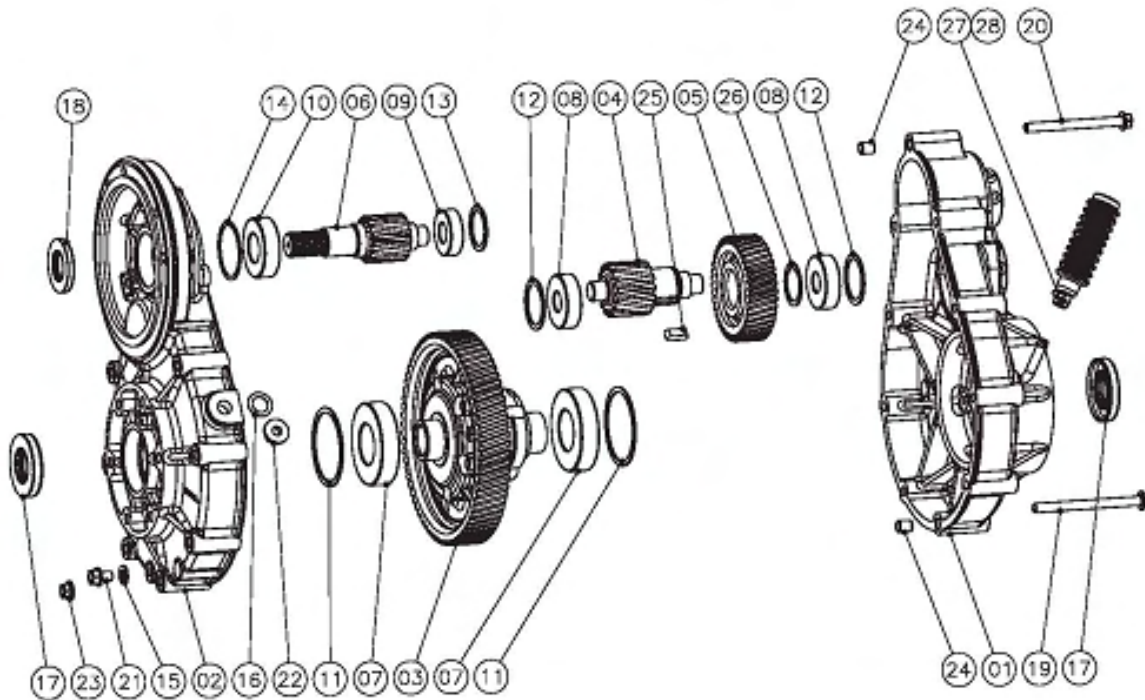


BOTH 10.37 AND 16.77 AXLES USE THE SAME AXLE SHAFT COMPONENTS

ITEM	CVG PN	DESCRIPTION	QTY	REF #
1-11	761739	AXLE,HD,NKL 16.77:1	1	761739
	761738	AXLE,HD,NKL 10.37:1	1	761738
2	760986	AXLE SHAFT ASSY-R (SHORT) W/SHOES	1	760986
3	760987	AXLE SHAFT ASSY-L (LONG) W/SHOES	1	760987
6	760927	DRUM,REAR BRAKE (EITHER SIDE)	1	760927
11	760928	SHOES,REAR BRAKE(PAIR)	2	760928

NOTE: Items with * in tables indicates parts not shown in drawing

NKL AXLE GEARBOX COMPONENTS



NOTE DESCRIPTION FOR 10.37 VS 16.77

ITEM	CVG PN	DESCRIPTION	QTY	REF #
7	760926	BALL BEARING 6207	2	760926
8	1030274	BEARING, BALL, 6303 C3	2	1030274
9	1030272	BEARING, BALL, 6203 C3	1	1030272
10	760922	BALL BEARING 6205	1	760922
11	760925	SHIM 61X69X1.5t	2	760925
12	760919	SHIM 36X44X1.5t	2	760919
13	760920	SHIM 32X40X1.0t	1	760920
14	760923	SHIM 45X51X1.5t	1	760923
17	761754	OIL SEAL,VITON,NKL	2	761754
18	760993	SEAL,AXLE,25X47X6H	1	760993
26	760917	CIRCLIP-SHAFT 32	1	760917
29	760939	CARRIER GEAR ASSY10.37:1 (INCLUDES ITEMS 3,7 & 11)	1	760939
30	760934	INTERM. GEAR ASSY 10.37:1 (INCLUDES ITEMS 4,8,12,25 & 25)	1	760934
31	760938	INPUT GEAR ASSY 10.37:1 (INCLUDES ITEMS 6,9,10,13 & 14)	1	760938
32	760935	CARRIER GEAR ASSY 16.77:1 (INCLUDES ITEMS 3,7 & 11)	1	760935
33	760936	INTERM. GEAR ASSY 16.77:1 (INCLUDES ITEMS 4,8,12,25 & 26)	1	760936
34	760937	INPUT GEAR ASSY 16.77:1 (INCLUDES ITEMS 6,9,10,13 & 14)	1	760937

NOTE: Items with * in tables indicates parts not shown in drawing

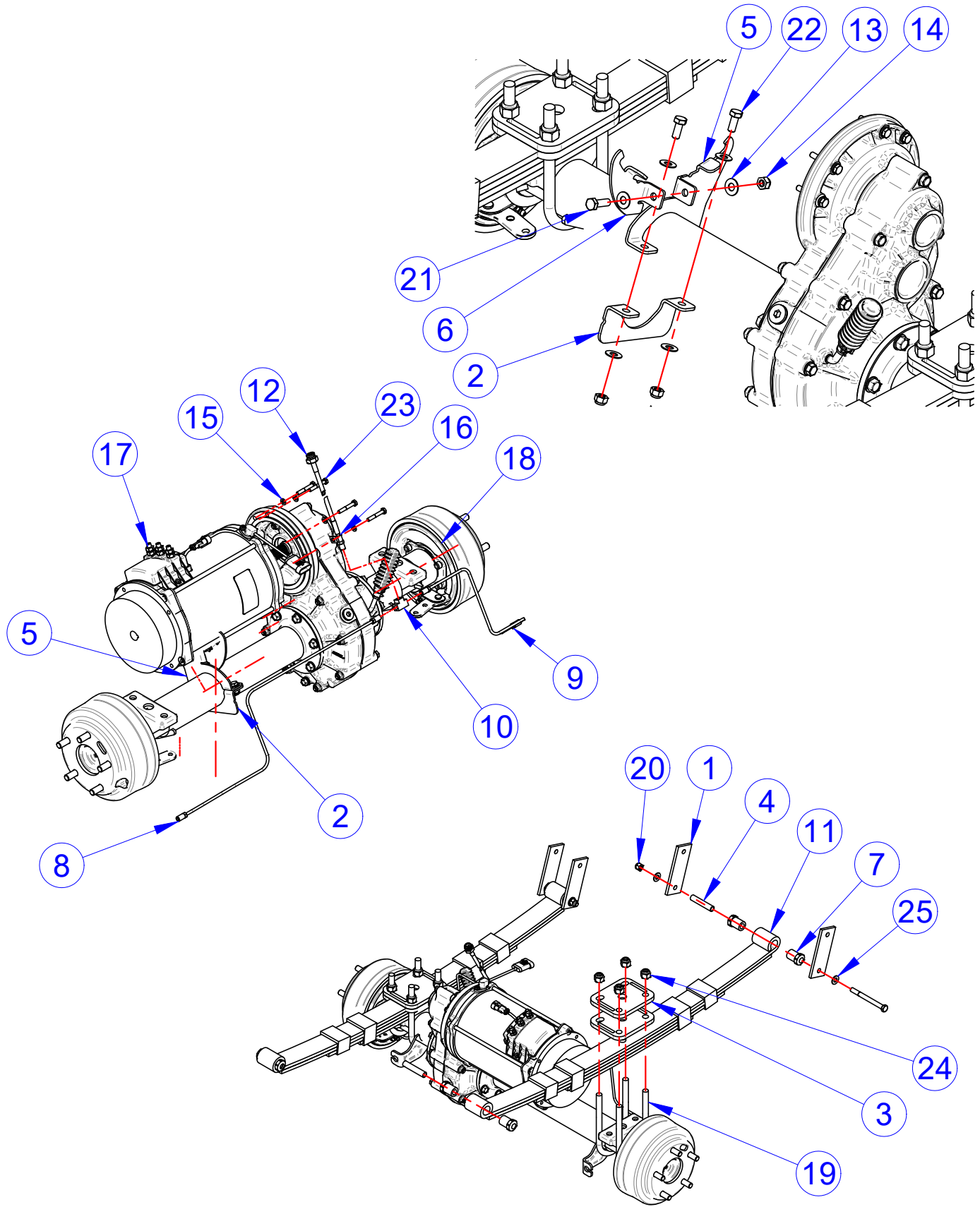
10.37 REAR SUSPENSION WITH 5KW MOTOR

VIEWS FOR BOM ON NEXT PAGE

ITEM	PART #	DESCRIPTION	QTY	REF #
1	510364	SUSP SPR SHACKLE	4	510364
2	517869	BRKT, MOTOR SPRT, 8KW, LOWER, LT	1	517869
3	517871	PLATE, AXLE MT, ST/LT	4	517871
4	519964PL	SPACER, 0.384X0.500X2.63	4	519964
5	518064	MOTOR SPRT, 5KW, UPPER, LT	1	518064
6	518067	MOTOR SPRT, 5KW, UPPER	1	518067
7	709015	BUSHING, RUBBER, 1/2X 1-3/8	8	709015
8	709232	BRAKE LINE, 3/16 X 30 (LH FORMED)	1	709232
9	709358	BRAKE LINE, 3/16 X 20 (RH FORMED)	1	709358
10	709377	UNION TEE, 3/16", HYD BRAKE TUBE	1	709377
11	468295	LEAF SPRING ASSY, 4-LEAF, SUSPENSION	2	709382
12	709430	BRAKE HOSE, HYD, FLEX, 18"	1	709430
13	719375	WSHR, 5/16X0.750X0.040, F/W, 18-8S/S	6	719375
14	719377	NUT, 5/16-18, L/N, NYL, NE, 18-8SS	3	719377
15	719378	WSHR, 1/4 (M6), L/W, SPLIT, 18-8, S/S	6	719378
16	719756	CLAMP, 1/4", STL TUBE, VINYL CUSHION	1	719756
17	194889U	P&A KIT, 5KW MOTOR EMBRAKE, PT1000	1	194889
18	761738	AXLE, NKL HDLT, 10.37:1	1	761738
19	782102	U-BOLT, 1/2-13 X 6.75 IL X 2.81 IW, MAGNI 525	4	782102
20	782118	NUT, 3/8-16, L/N, NYL, NE, G8, MAGNI525	2	782118
21	782720	SCR, 5/16-18 X 1, HHCS, 18-8, S/S	1	782720
22	782721	SCR, 5/16-18 X 0.75, HHCS, 18-8, S/S	2	782721
23	782735	SCR, M6-1.0 X 40MM, HHCS, A2, S/S	6	782735
24	782739	NUT, 1/2-13, L/N, NYL, NE, G8, MAGNI 525	8	782739
25	782740	WSHR, 3/8(M10), SAE, F/W, G8, MAGNI525	4	782740
26*	782963	SCR, 3/8-16 X 4, HHCS, G8, MAGNI 525	2	782963

NOTE: Items with * in tables indicates parts not shown in drawing

10.37 REAR SUSPENSION WITH 5KW MOTOR



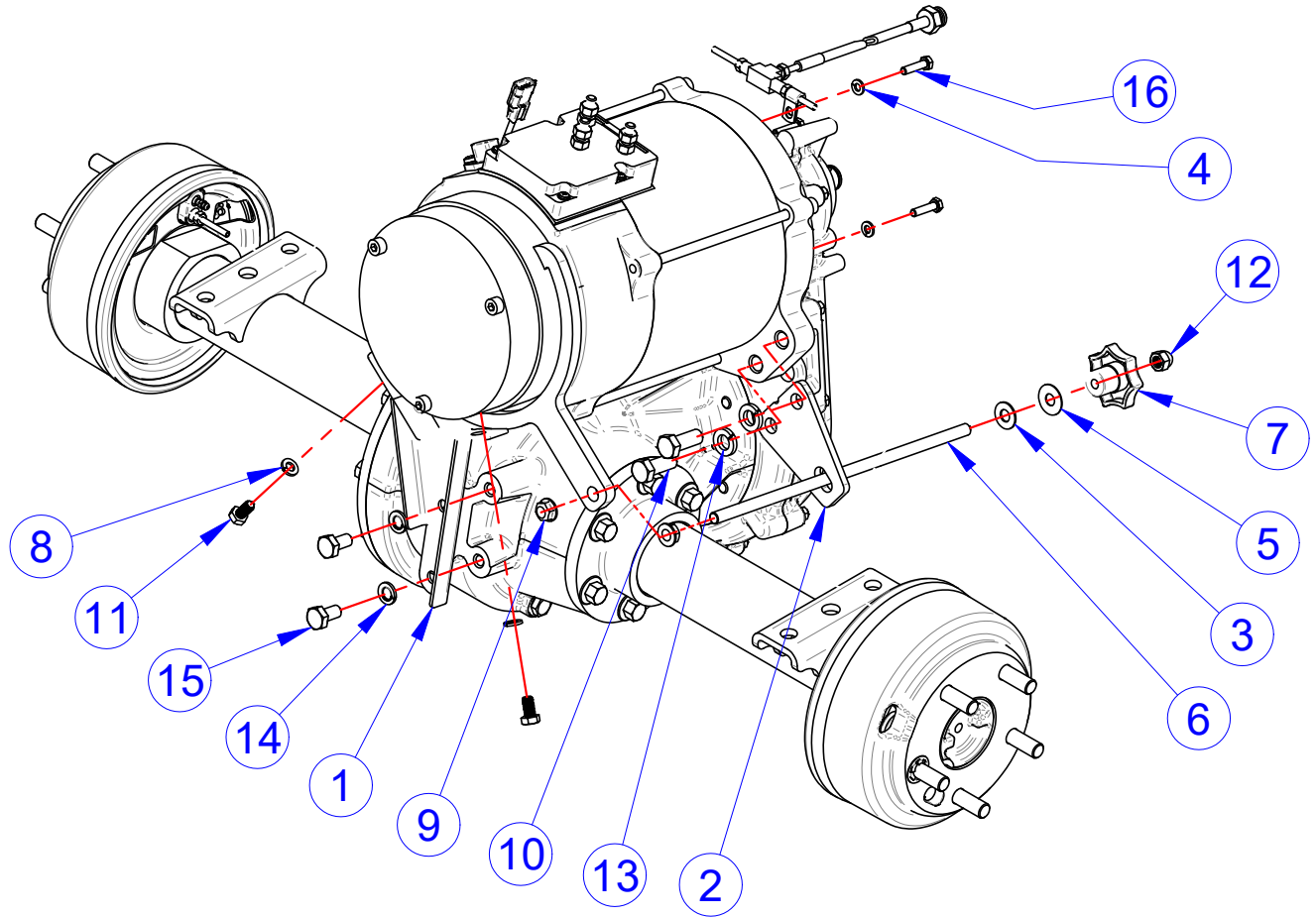
NOTE: Items with * in tables indicates parts not shown in drawing

Columbia Vehicle Group, Inc.

A Nordic Group Company | Business Ventures Since 1947



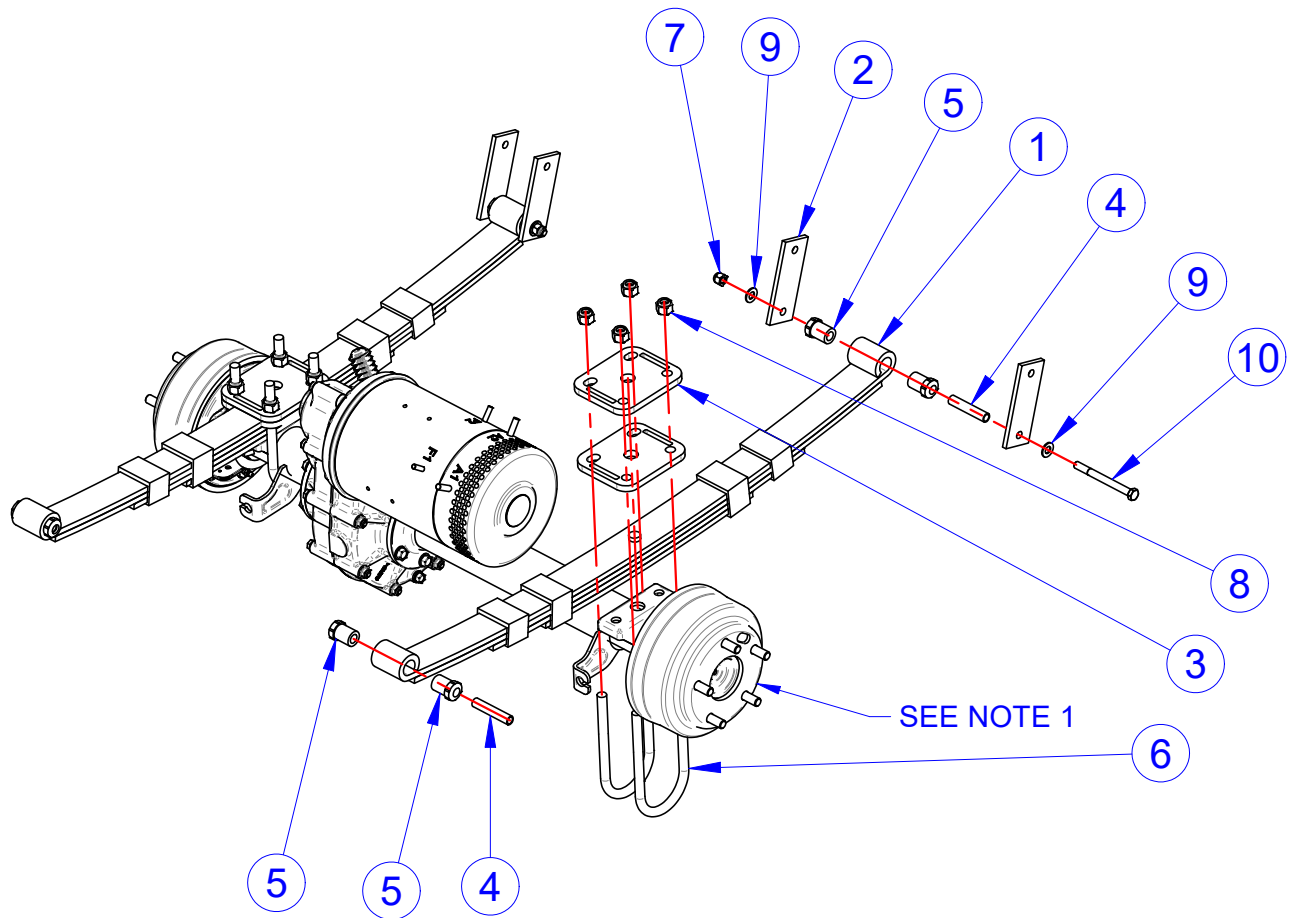
REAR SUSPENSION MOTOR HARDWARE



ITEM	PART #	DESCRIPTION	QTY	REF #
1	314869B	WLDMNT MOTOR BRACE, PL-SUP, BLK	1	314869
2	517073	BRKT, BRAKE RELEASE	1	517073
3	708859	WASHER,3/8,STD,FW,18-8SS	1	708859
4	719378	WSHR, 1/4 (M6), L/W, SPLIT, 18-8, S/S	3	719378
5	719667	WASHER, 0.390 X 1.000 X 0.030, F/W, NYL	1	719667
6	761286	ROD, BRAKE RELEASE	1	761286
7	761290	KNOB,STAR,50MM OD, 3/8-16 THRU	1	761290
8	781621	WSHR, 5/16, L/W, SPLIT, 18-8, S/S	2	781621
9	781701	NUT, 3/8-16 FLANGE 2-WAY LOCK, S/S	2	781701
10	782247	SCREW,M12-1.75X30MM,HHCS,10.9,BLK M	2	782247
11	782727	SCR, M8-1.25 X 16 MM, HHCS, A2, S/S	2	782727
12	782761	NUT, 3/8-16, ACORN, 18-8, S/S	1	782761
13	782762	WSHR, 1/2, (M12), L/W, SPLIT, HEAVY, MAGNI 525	2	782762
14	782961	WSHR, (3/8) M10, MSLW, A2, SS	2	782961
15	783099	SCR, M10-1.5 X 20MM, HCS, A2, SS	2	783099
16	783118	SCR, M6-1.0 X 25MM, HCS, A2, SS	3	783118

NOTE: Items with * in tables indicates parts not shown in drawing

REAR SUSPENSION SPRINGS FOR 10.37, 16.77 & 24.29

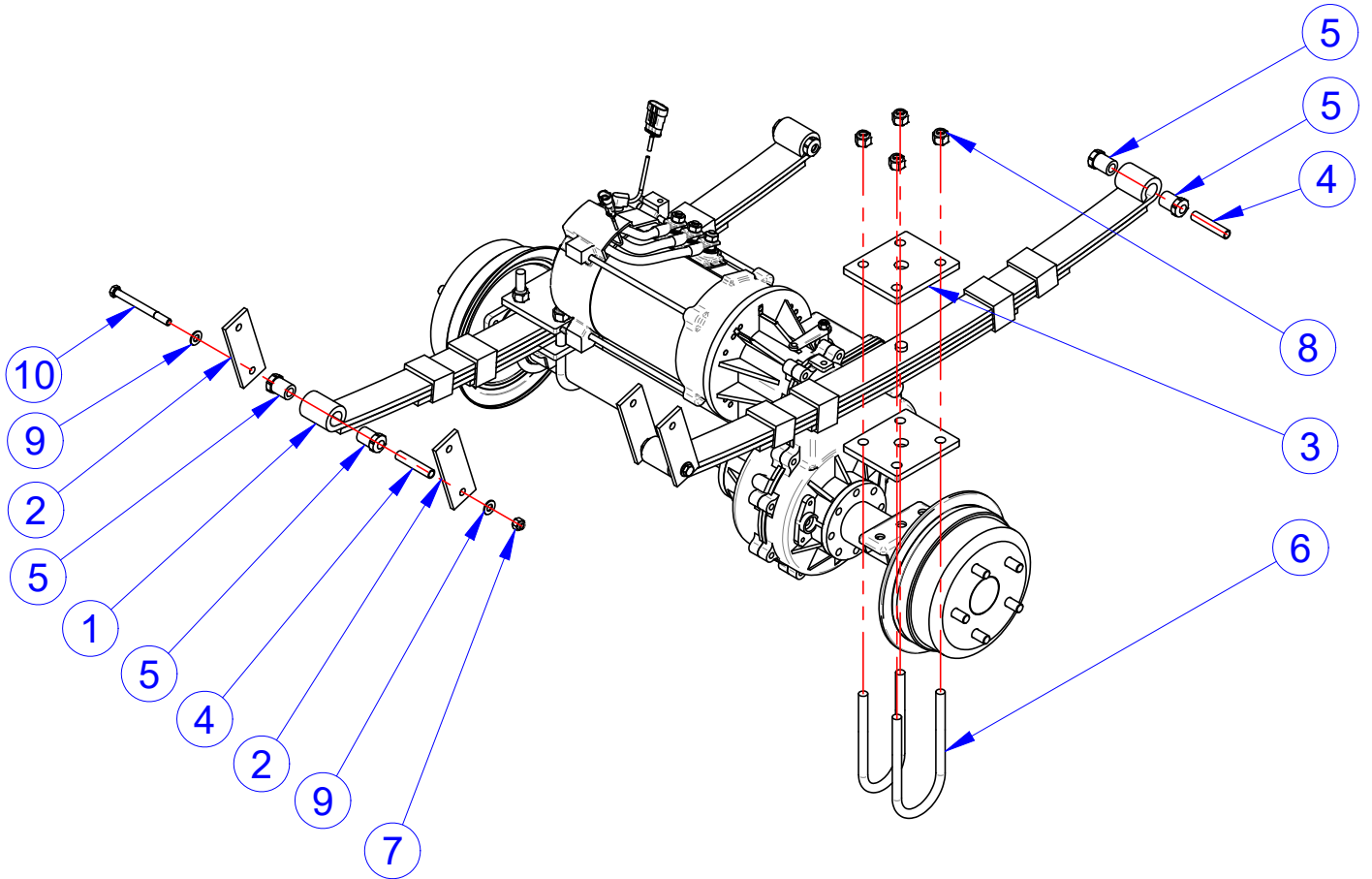


NOTES: (1) For brake hub replacement parts, see 'Rear Brake Hub' in 'Brake' section.

ITEM	PART #	DESCRIPTION	QTY	REF #
1	468295	P&A SET, LEAF SPRNG ASM, 4-LEAF SSPN	SET	709382
	468297	P&A SET, SPRING 7 LEAF	SET	739587
2	510364	SUSP SPR SHACKLE	4	510364
3	517871	PLATE, AXLE MT, ST/LT	4	517871
4	519964PL	SPACER, 0.384X0.500X2.63	4	519964
5	709015	BUSHING, RUBBER, 1/2X 1-3/8	8	709015
6	782102	U-BOLT, 1/2-13 X 6.75 IL X 2.81 IW, MAGNI 525	4	782102
7	782118	NUT, 3/8-16, L/N, NYL, NE, G8, MAGNI525	2	782118
8	782739	NUT, 1/2-13, L/N, NYL, NE, G8, MAGNI 525	8	782739
9	782740	WSHR, 3/8(M10), SAE, F/W, G8, MAGNI525	4	782740
10	782963	SCR, 3/8-16 X 4, HHCS, G8, MAGNI 525	2	782963

NOTE: Items with * in tables indicates parts not shown in drawing

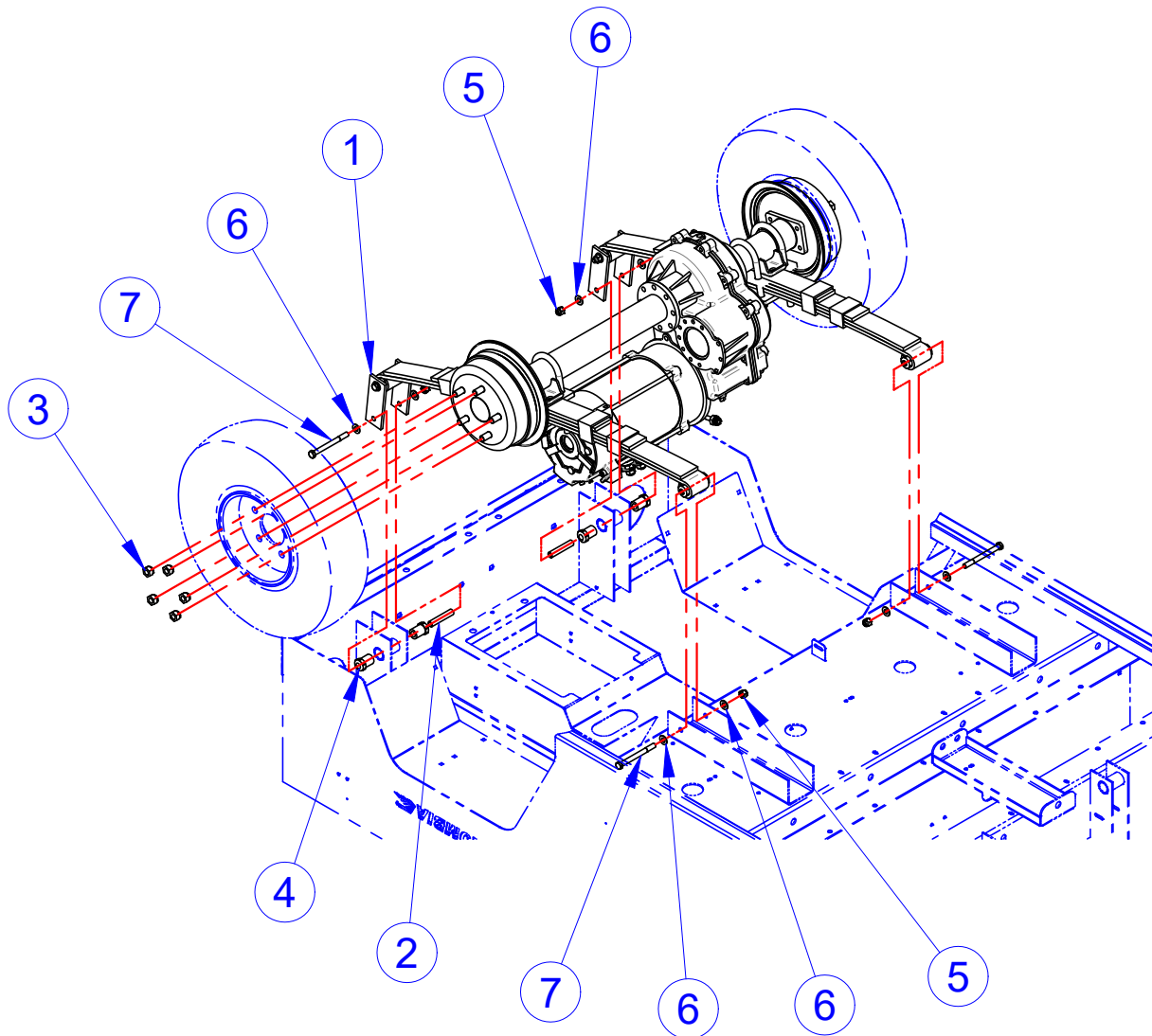
REAR SUSPENSION SPRINGS FOR 20:1



ITEM	PART #	DESCRIPTION	QTY	REF #
1	468295	P&A SET, LEAF SPRNG ASM, 4-LEAF SSPN	1	468295
2	510364	CPC SUSPENSION SPRING SHACKLE	4	510364
3	516415	REAR SPRING PLATE, BC IMAG AXLES	4	516415
4	519964PL	SPACER, 0.384X0.500X2.63	4	519964
5	709015	BUSHING, RUBBER, 1/2X 1-3/8	8	709015
6	782102	U-BOLT, 1/2-13 X 6.75 IL X 2.81 IW, MAGNI 525	2	782102
7	782118	NUT, 3/8-16, L/N, NYL, NE, G8, MAGNI525	2	782118
8	782739	NUT, 1/2-13, L/N, NYL, NE, G8, MAGNI 525	8	782739
9	782740	WSHR, 3/8(M10), SAE, F/W, G8, MAGNI525	4	782740
10	782963	SCR, 3/8-16 X 4, HHCS, G8, MAGNI 525	2	782963

NOTE: Items with * in tables indicates parts not shown in drawing

REAR SUSPENSION



ITEM	PART #	DESCRIPTION	QTY	REF #
1	NONE	ASSY, REAR SPNSN, 16.77, HD, BC3	1	467836
	NONE	ASSY, REAR SPNSN, 10.37, SD, BC2	1	467940
	NONE	ASSY, REAR SPNSN, 16.77, SD, BC2	1	467943
	NONE	ASSY, REAR SPNSN, 10.37 19/67, 5KW, BC2	1	468097
	NONE	ASSY, REAR SPNSN, 16.77 19/67, 8KW, BC3	1	468098
	NONE	REAR SPNSN, 24.29, 8KW, PL-SUP	1	468303
	NONE	ASSY, REAR SPNSN, 20:1, 8KW, BC4	1	468825
2	519964PL	SPACER, 0.384X0.500X2.63	2	519964
3	709002	NUT, 1/2-20, TAPERED WHEEL	10	709002
4	709015	BUSHING, RUBBER, 1/2X 1-3/8	4	709015
5	782118	NUT,3/8-16,L/N,NYL,NE,G8,MAGNI525	4	782118
6	782740	WSHR,3/8(M10),SAE,FW,G8,MAGNI525	8	782740
7	782963	SCR, 3/8-16 X 4, HHCS, G8, MAGNI 525	4	782963

NOTE: Items with * in tables indicates parts not shown in drawing

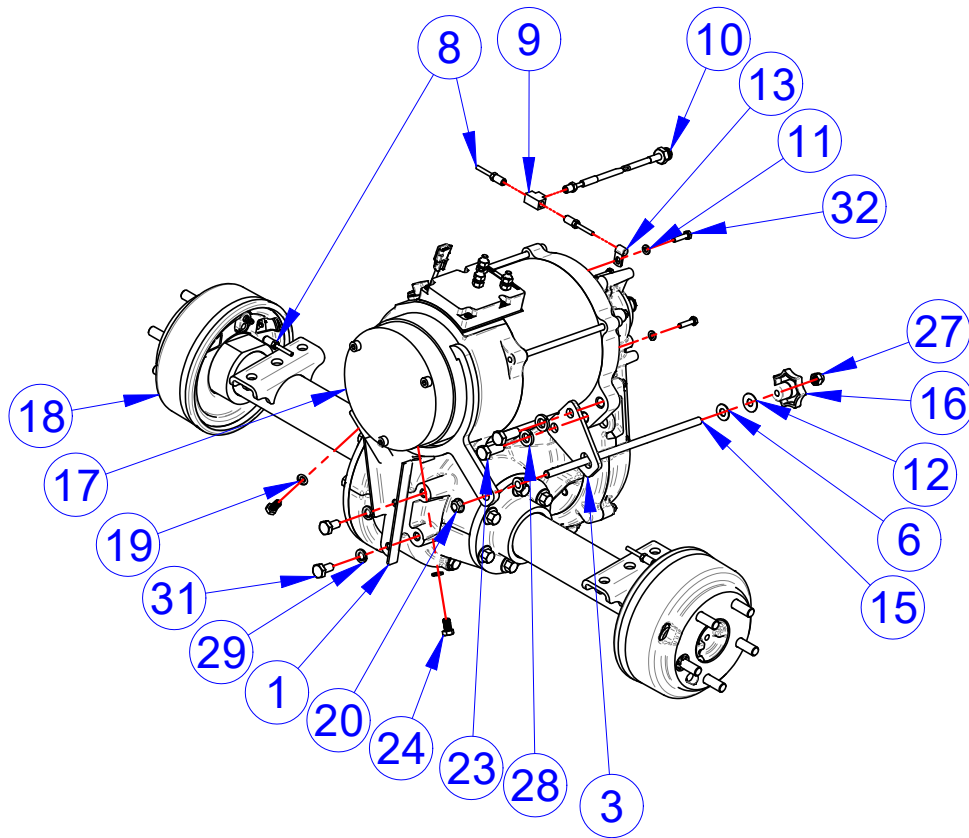
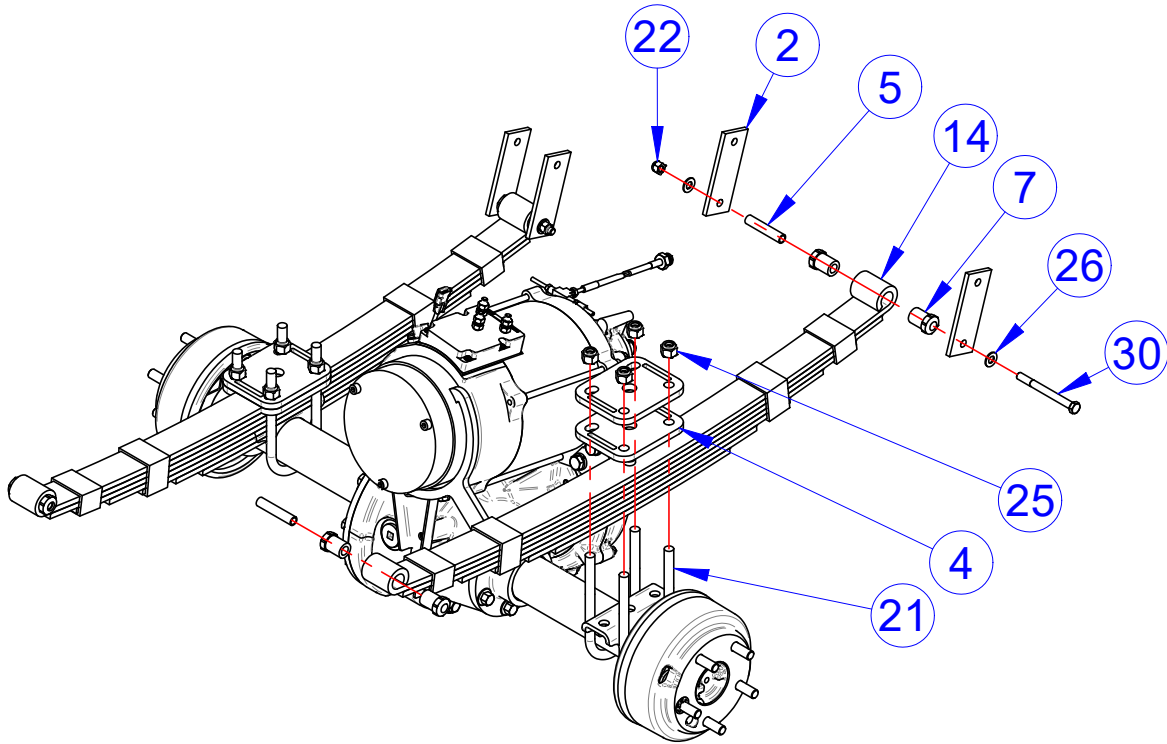
REAR SUSPENSION, 24.29

VIEWS FOR BOM ON NEXT PAGE

ITEM	PART #	DESCRIPTION	QTY	REF #
1	314869B	WLDMNT MOTOR BRACE, PL-SUP, BLK	1	314869
2	510364	SUSP SPR SHACKLE	4	510364
3	517073	BRKT, BRAKE RELEASE	1	517073
4	517871	PLATE, AXLE MT, ST/LT	4	517871
5	519964PL	SPACER, 0.384X0.500X2.63	4	519964
6	708859	WASHER,3/8,STD,FW,18-8SS	1	708859
7	709015	BUSHING, RUBBER, 1/2X 1-3/8	8	709015
8	709232	BRAKE LINE, 3/16 X 30	2	709232
9	709377	UNION TEE,3/16",HYD BRAKE TUBE	1	709377
10	709430	BRAKE HOSE, HYD, FLEX, 18"	1	709430
11	719378	WSHR, 1/4 (M6), L/W, SPLIT, 18-8, S/S	3	719378
12	719667	WASHER, 0.390 X 1.000 X 0.030, F/W, NYL	1	719667
13	719756	CLAMP,1/4",STL TUBE,VINYL CUSHION	1	719756
14	468297	P&A SET, SPRING 7 LEAF	2	468297
15	761286	ROD, BRAKE RELEASE	1	761286
16	761290	KNOB,STAR,50MM OD, 3/8-16 THRU	1	761290
17	761699	MOTOR, 8KW, EM BRAKE, PT1000	1	761699
18	761799	AXLE, SCHAFFER, 3500 LB, 24.29:1	1	761799
19	781621	WSHR, 5/16, L/W, SPLIT, 18-8, S/S	2	781621
20	781701	NUT, 3/8-16 FLANGE 2-WAY LOCK, S/S	2	781701
21	782102	U-BOLT, 1/2-13 X 6.75 IL X 2.81 IW, MAGNI 525	4	782102
22	782118	NUT,3/8-16,L/N,NYL,NE,G8,MAGNI525	2	782118
23	782247	SCREW,M12-1.75X30MM,HHCS,10.9,BLK M	2	782247
24	782727	SCR, M8-1.25 X 16 MM, HHCS, A2, S/S	2	782727
25	782739	NUT, 1/2-13, L/N, NYL, NE, G8, MAGNI 525	8	782739
26	782740	WSHR,3/8(M10),SAE,F/W,G8,MAGNI525	4	782740
27	782761	NUT, 3/8-16, ACORN, 18-8, S/S	1	782761
28	782762	WSHR, 1/2, (M12), L/W, SPLIT, HEAVY, MAGNI 525	2	782762
29	782961	WSHR, (3/8) M10, MSLW, A2, SS	2	782961
30	782963	SCR, 3/8-16 X 4, HHCS, G8, MAGNI 525	2	782963
31	783099	SCR, M10-1.5 X 20MM, HCS, A2, SS	2	783099
32	783118	SCR, M6-1.0 X 25MM, HCS, A2, SS	3	783118

NOTE: Items with * in tables indicates parts not shown in drawing

REAR SUSPENSION, 24.29

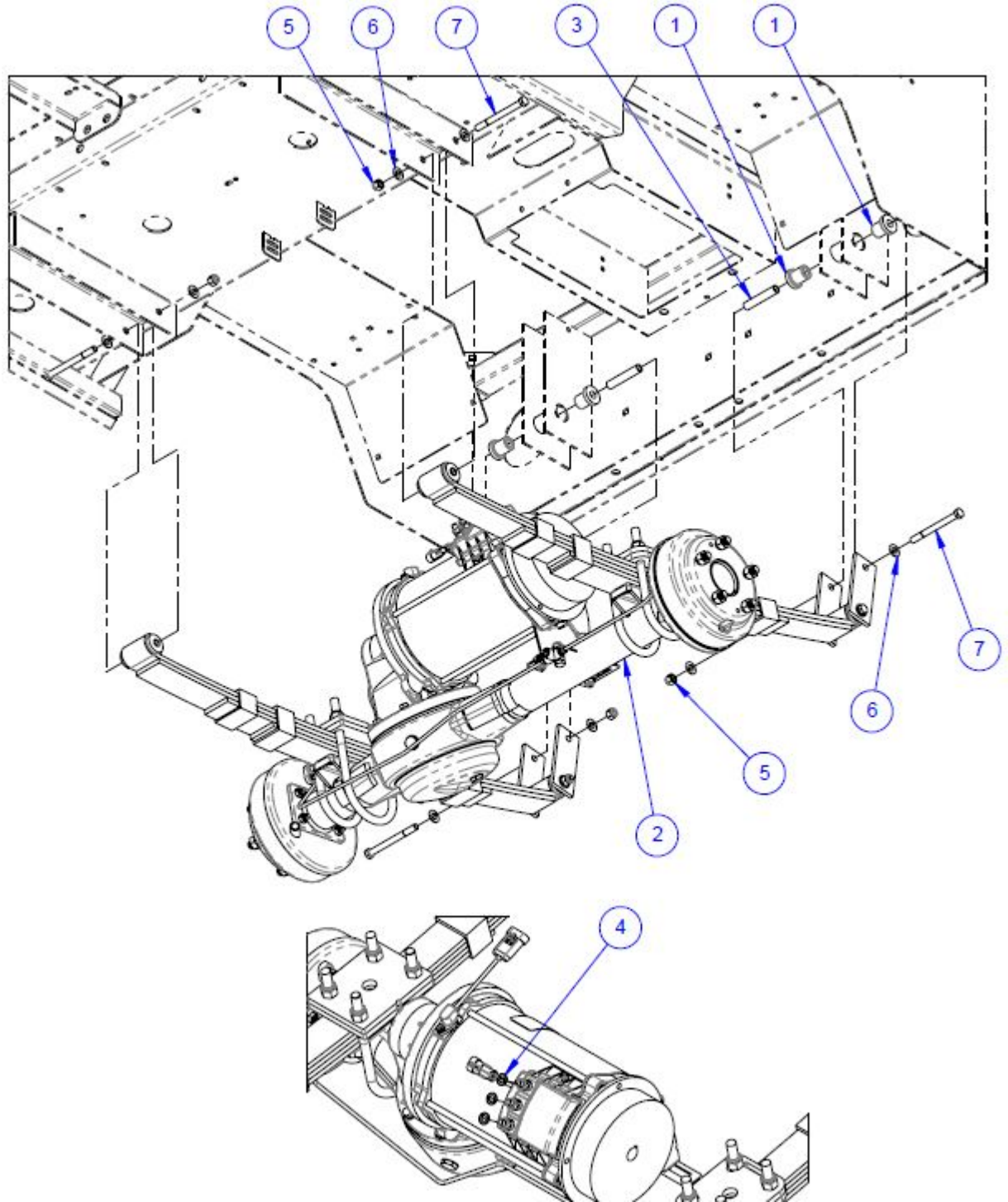


NOTE: Items with * in tables indicates parts not shown in drawing

Columbia Vehicle Group, Inc.
A Nordic Group Company | Business Ventures Since 1947



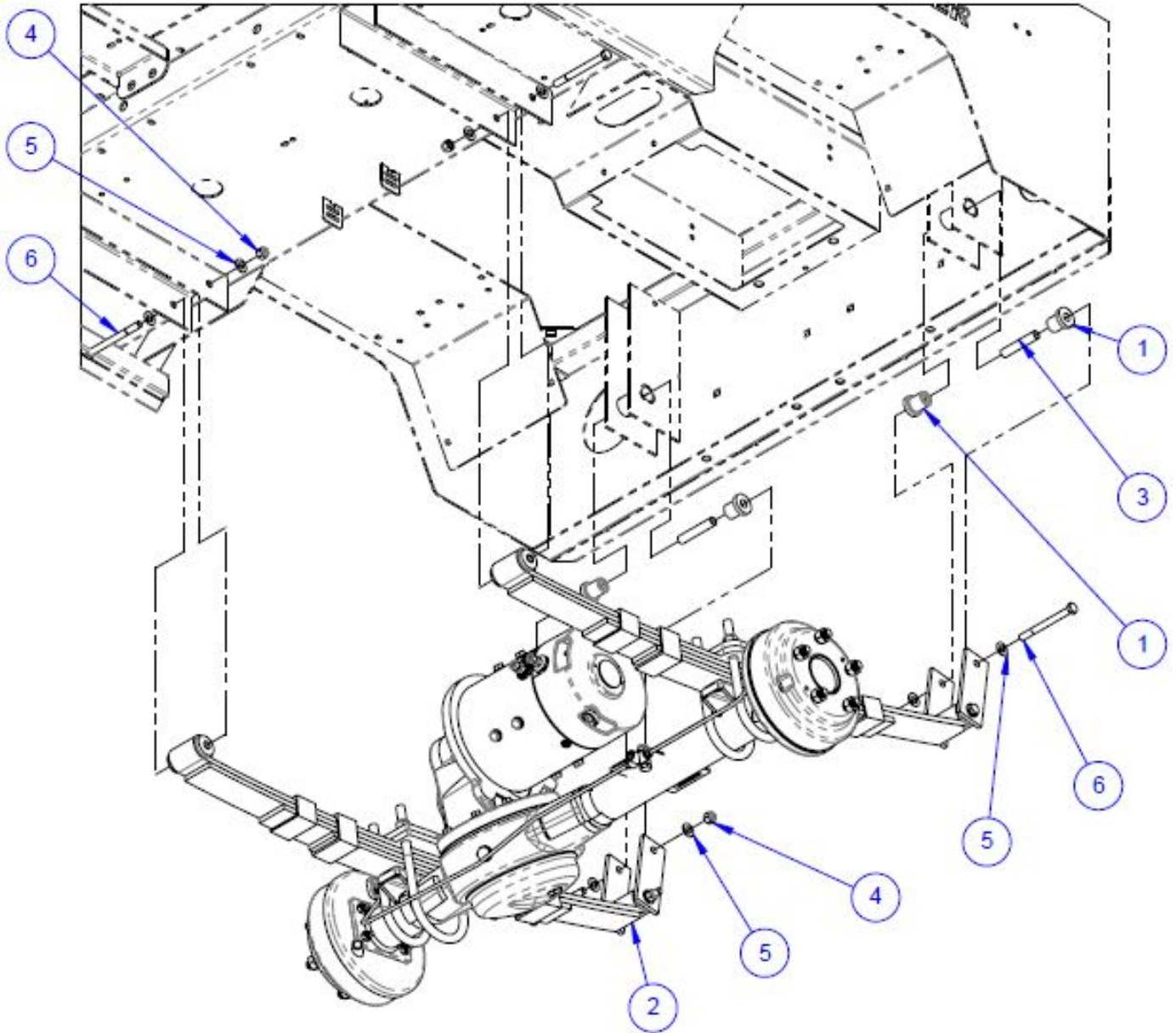
REAR SPNSN, 12.62, 5KW, PL-STD



ITEM	CVG PN	DESCRIPTION	QTY	REF #
1	1037403	BRG,FLANGE,0.49X0.88X0.93,1.22X0.26	4	1037403
2	468591	ASSY, AXLE, 12.62, 5KW, PL	1	468591
3	519964PL	SPACER, 0.384 X 0.500 X 2.63	2	519964PL
4	781621	WSHR,5/16 (M8), MSLW, 18-8, SS	3	781621
5	782118	NUT,3/8-16,L/N, NYLOK,NE,G8,M525	4	782118
6	782740	WSHR, 3/8 (M10), FW, SAE, G8, ECO	8	782740
7	782963	SCR, 3/8-16 X 4, HHCS, G8, MAGNI 525	4	782963

NOTE: Items with * in tables indicates parts not shown in drawing

R SPNSN, 16.67, ADV SD, PL-STD



ITEM	CVG PN	DESCRIPTION	QTY	REF #
1	1037403	BRG,FLANGE,0.49X0.88X0.93,1.22X0.26	4	1037403
2	468577	ASSY, R SPNSN, 16.67, ADV SD DC, PL	1	468577
3	519964PL	SPACER, 0.384 X 0.500 X 2.63	2	519964PL
4	782118	NUT,3/8-16,L/N, NYLOK,NE,G8,M525	4	782118
5	782740	WSHR, 3/8 (M10), FW, SAE, G8, ECO	8	782740
6	782963	SCR, 3/8-16 X 4, HHCS, G8, MAGNI 525	4	782963

NOTE: Items with * in tables indicates parts not shown in drawing

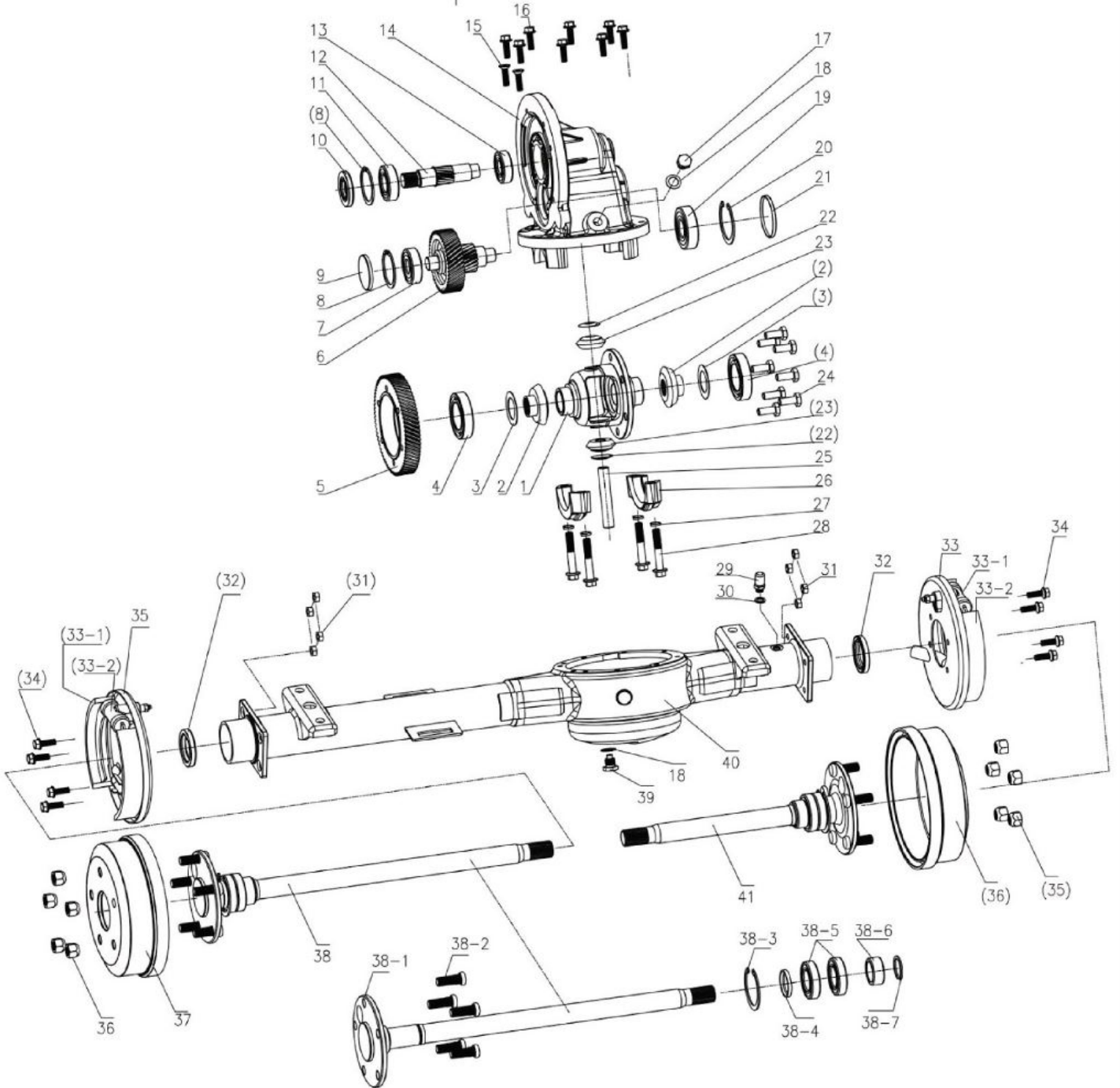
LY AXLE COMPONENTS (put into production 2023)

VIEWS FOR BOM ON NEXT PAGE

ITEM	PART #	DESCRIPTION	QTY	REF #
1				
2				
3				
4	1030737	BEARING, BALL, 6008 2RZ C3	2	1030737
5				
6				
7	1030738	BEARING, BALL, 6304 RSZ C3	1	1030738
8	1031289	RETAINING RING, 52MM HOLE	1	1031289
9				
10	1031290	SEAL, OIL, 25MM X 52MM X 7MM	2	1031290
11	1030735	BEARING, BALL, 6205 2RZ C3	1	1030735
12	1031288	INPUT SHAFT, LY160E	1	1031288
13	1030736	BEARING, BALL, 6204 RSZ C3	1	1030736
14				
15				
16				
17	1022237	FILLER PLUG	3	1022237
18	1022236	ALUMINUM GASKET	4	1022236
19	1030739	BEARING, BALL, 6305 2RZ C3	1	1030739
20				
21				
22				
23				
24				
25				
26				
27				
28				
29				
30				
31	1022241	NUT, 5/16-24	8	1022241
32	1031291	SEAL, OIL, 40MM X 50MM X 8MM	2	1031291
33	1031292	BRAKE SHOE, LY160E	2	1031292
34	1022369	SCR, 5/16-24	8	1022369
35				
36	709002	Nut, Wheel	10	709002
37				
38				
39	1022238	DRAIN PLUG	1	1022238
40				
41				



Exploded view



LY AXLE ASSEMBLY 12.62 (put into production 2023)

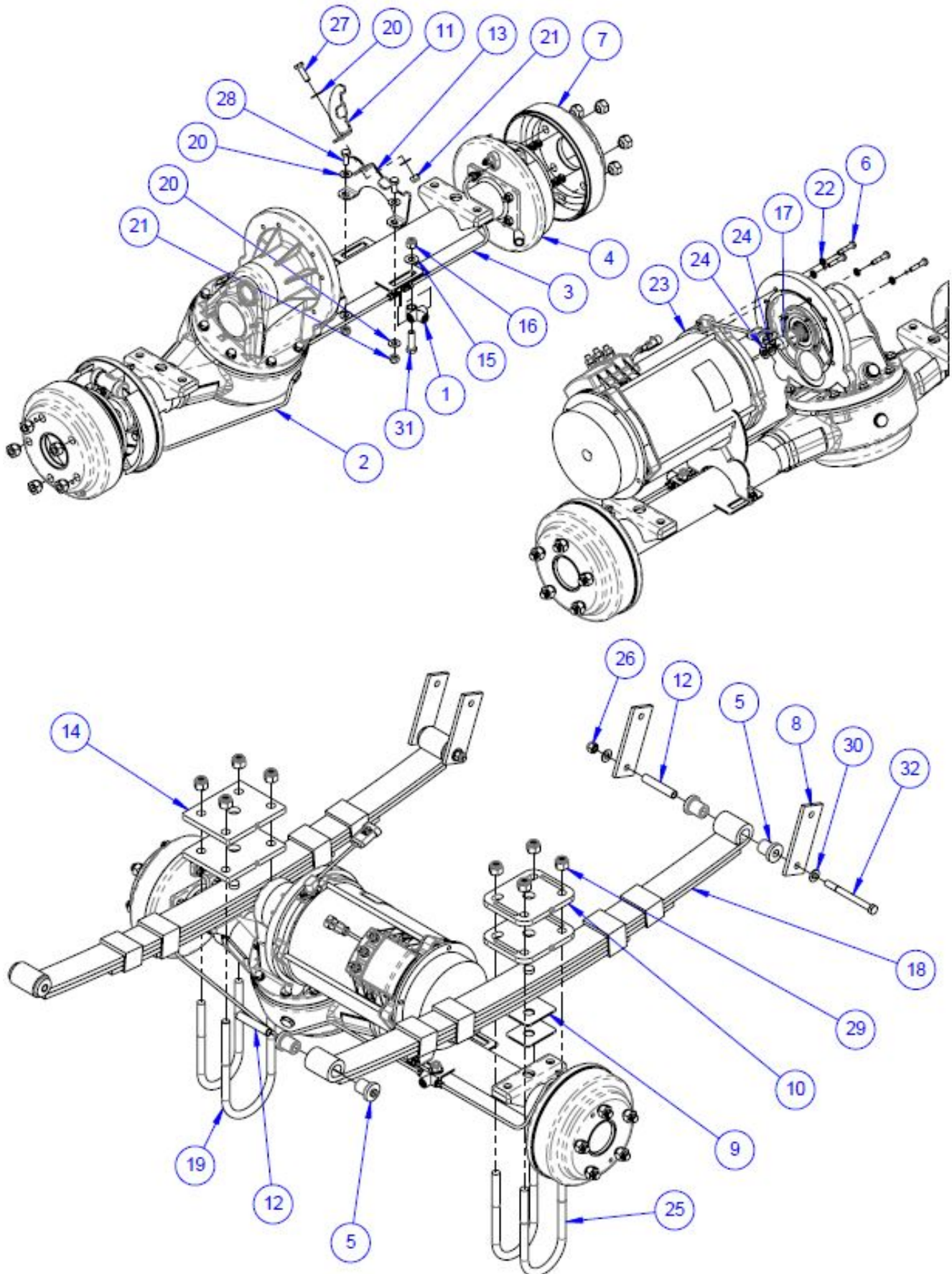
IEWS FOR BOM ON NEXT PAGE

ITEM	PART #	DESCRIPTION	QTY	REF #
1	1007188	TEE, BRAKE LINE, M10-1.0 1	1	1007188
2	1017810	BRAKE LINE, STEEL, LY, RH 1	1	1017810
3	1017811	BRAKE LINE, STEEL, LY, LH 1	1	1017811
4	1017942	AXLE, LY160E, 12.62:1 1	1	1017942
5	1037403	BRG,FLANGE,0.49X0.88X0.93,1.22X0.26 8	8	1037403
6	1040724	SCR, M6-1.0 X 30MM, HCS, A2, SS 5	5	1040724
7	468710	BRAKE DRUM W/ RING, LY160E 2	2	468710
8	510364	CPC SUSPENSION SPRING SHACKLE 4	4	510364
9	517751	OFFSET SPCR 2	2	517751
10	517871	PLATE, AXLE MT, ST/LT 2	2	517871
11	518067	MOTOR SPRT, 5KW, UPPER 1	1	518067
12	519964PL	SPACER, 0.384 X 0.500 X 2.63 4	4	519964PL
13	520056	BRKT, MOTOR SPRT, 5KW, LY 1	1	520056
14	520779	PLATE, REAR SPRING 2	2	520779
15	708859	WSHR, 3/8 (M10), FW, SOD, 18-8, SS 1	1	708859
16	708860	NUT, 3/8-16, NILN, 18-8, SS 1	1	708860
17	709050	RESILIENT BUMPER-ELEC MOTOR 1	1	709050
18	709382	LEAF SPRING ASSY, 4-LEAF, SPNSN 2	2	709382
19	709623	U-BOLT,1/2-13X7.68 IL X3.50 IW,M525 1	1	709623
20	719375	WSHR, 5/16 (M8), FW, SOD, 18-8, SS 6	6	719375
21	719377	NUT, 5/16-18, NILN, 18-8, SS 3	3	719377
22	719378	WSHR, 1/4 (M6), MSLW, 18-8, SS 5	5	719378
23	761700	MOTOR, 5KW, EMBRAKE, PT1000 1	1	761700
24	781161	WASHER,.382X.750X.066,F/W,NYLON 2	2	781161
25	782102	U-BOLT,1/2-13 X 6.75ILX2.81IW, M525 3	3	782102
26	782118	NUT,3/8-16,L/N, NYLOK,NE,G8,M525 2	2	782118
27	782720	SCR, 5/16-18 X 1, HCS, 18-8, SS 1	1	782720
28	782721	SCR, 5/16-18 X 0.75, HCS, 18-8, SS 2	2	782721
29	782739	NUT, 1/2-13, NILN, G8, M525 8	8	782739
30	782740	WSHR, 3/8 (M10), FW, SAE, G8, ECO 4	4	782740
31	782787	SCR, 3/8-16 X 1.25, HCS, 18-8, SS 1	1	782787
32	782963	SCR, 3/8-16 X 4, HHCS, G8, ECO 2	2	782963

NOTE: Items with * in tables indicates parts not shown in drawing



LY AXLE ASSEMBLY 12.62 (put into production 2023)



Columbia Vehicle Group, Inc.
A Nordic Group Company | Business Ventures Since 1947



LY AXLE ASSEMBLY 16.67 (put into production 2023)

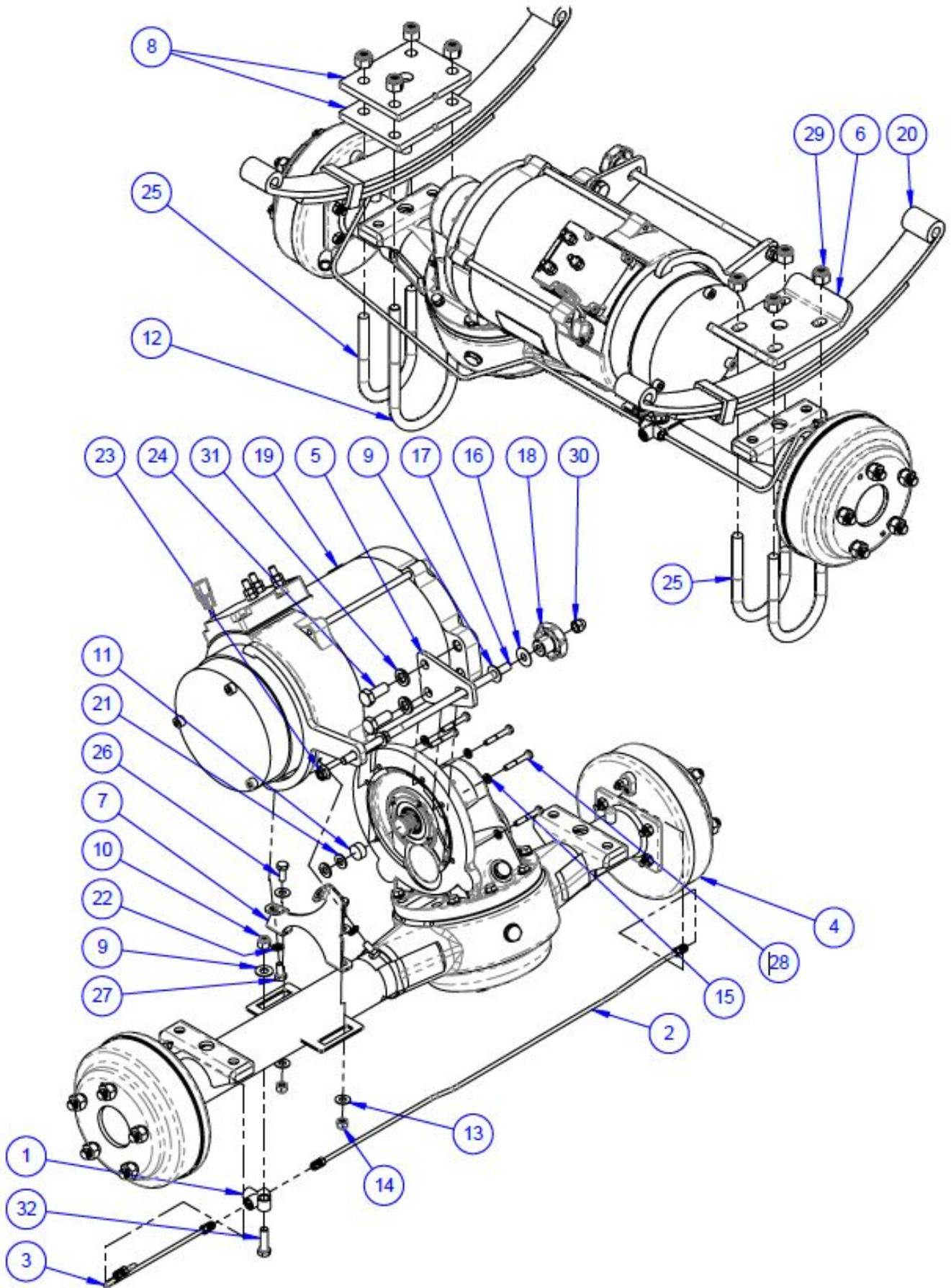
IEWS FOR BOM ON NEXT PAGE

ITEM	PART #	DESCRIPTION	QTY	REF #
1	1007188	TEE, BRAKE LINE, M10-1.0	1	1007188
2	1017810	BRAKE LINE, STEEL, LY, RH	1	1017810
3	1017811	BRAKE LINE, STEEL, LY, LH	1	1017811
4	1031249	AXLE, LY160E, 16.67:1	1	1031249
5	517073	BRKT, BRAKE RELEASE	1	517073
6	518602	PLATE, AXLE MT, FLANGED	1	518602
7	520055	BRKT, MOTOR SPRT, 8KW, LY	1	520055
8	520779	PLATE, REAR SPRING	2	520779
9	708859	WSHR, 3/8 (M10), FW, SOD, 18-8, SS	2	708859
10	708860	NUT, 3/8-16, NILN, 18-8, SS	1	708860
11	709050	RESILIENT BUMPER-ELEC MOTOR	1	709050
12	709623	U-BOLT, 1/2-13X7.68 IL X3.50 IW, M525	1	709623
13	719375	WSHR, 5/16 (M8), FW, SOD, 18-8, SS	4	719375
14	719377	NUT, 5/16-18, NILN, 18-8, SS	2	719377
15	719378	WSHR, 1/4 (M6), MSLW, 18-8, SS	6	719378
16	719667	WSHR, 0.390 X 1.000 X 0.030, FW, NYL	1	719667
17	761286	ROD, BRAKE RELEASE	1	761286
18	761290	KNOB, STAR, 50MM OD, 3/8-16 THRU	1	761290
19	761699	MOTOR, 8KW, EM BRAKE, PT1000	1	761699
20	761785	SPRING, LEAF, 3, 1500 LB	2	761785
21	781161	WASHER, .382X.750X.066, FW, NYLON	2	781161
22	781621	WSHR, 5/16 (M8), MSLW, 18-8, SS	2	781621
23	781701	NUT, 3/8-16, SFN, 18-8, SS	2	781701
24	782247	SCR, M12-1.75 X 30MM, HCS, C10.9, M575	2	782247
25	782695	U BOLT 1/2-13 X 5.25"IL X 2.81, MAGNI 525	3	782695
26	782721	SCR, 5/16-18 X 0.75, HCS, 18-8, SS	2	782721
27	782727	SCR, M8-1.25 X 16MM, HCS, A2, SS	2	782727
28	782735	SCR, M6-1.0 X 40MM, HCS, A2, SS	6	782735
29	782739	NUT, 1/2-13, NILN, G8, M525	8	782739
30	782761	NUT, 3/8-16, AN, 18-8, SS	1	782761
31	782762	WASHER, 1/2, L/W.R-SPLIT, MAGNI 525	2	782762
32	782787	SCR, 3/8-16 X 1.25, HCS, 18-8, SS	1	782787

NOTE: Items with * in tables indicates parts not shown in drawing



LY AXLE ASSEMBLY 16.67 (put into production 2023)



Columbia Vehicle Group, Inc.
A Nordic Group Company | Business Ventures Since 1947





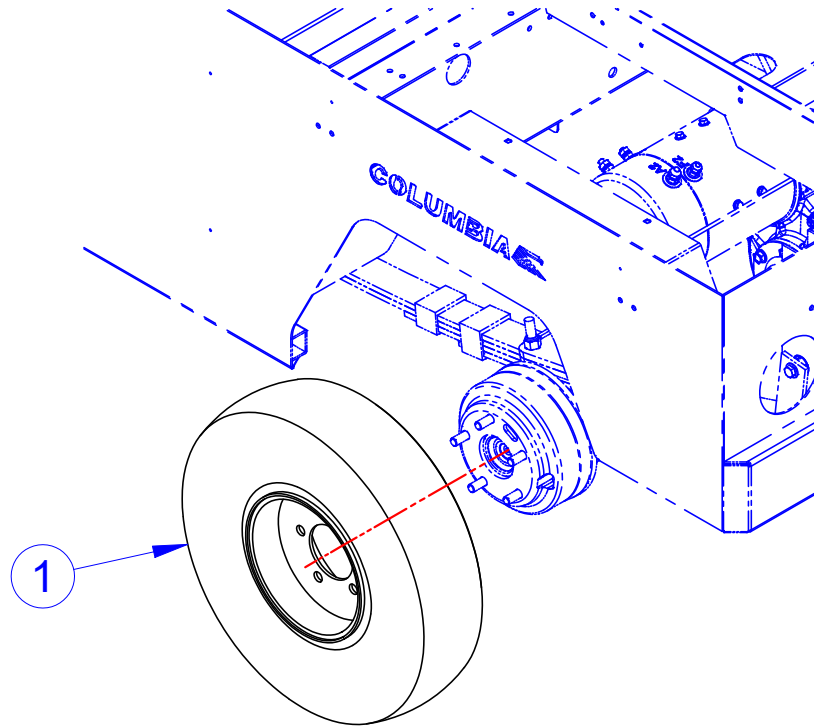
COLUMBIA

PAYLOADER

PARTS MANUAL SECTION 4

WHEELS

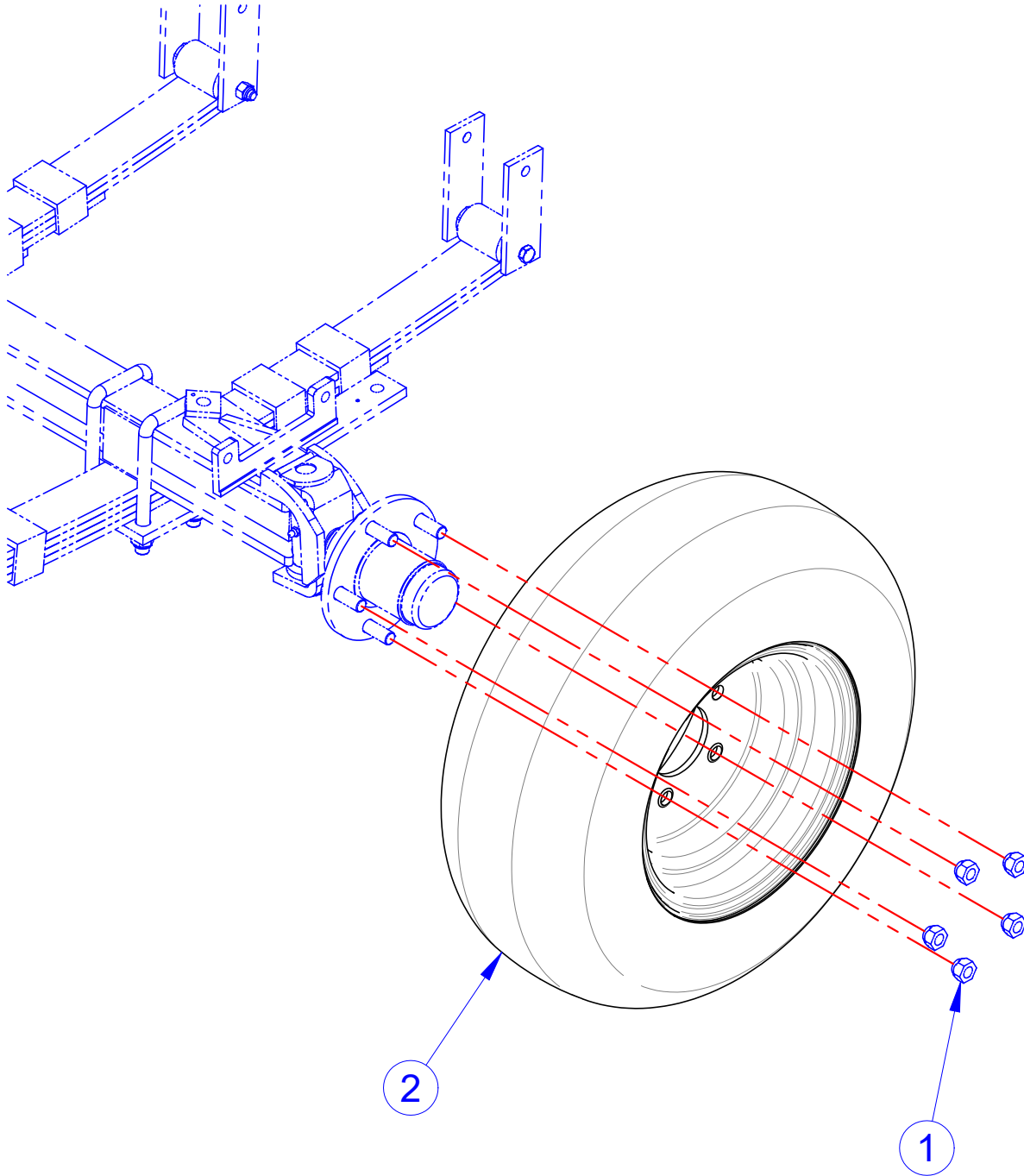
WHEELS



ITEM	PART #	DESCRIPTION	QTY	REF #
1*	709002	NUT, 1/2-20, TAPERED WHEEL	5	709002
2	709354	TIRE/WHEEL ASSY, 5.70X8 LRD 5-HOLE	4	709354
	709907	TIRE/WHEEL ASSY, 18.5X8.5-8 5-HOLE	4	709907
	719263	TIRE/WHEEL ASSY, 500X-8, 10 PLY	4	719263
	191225U	TIRES,5.7-8,SNM,WHT STL,PL, (SET/4)	4	191225
	760325	TIRE/WHEEL ASSY,5-H,5.7X8, NONMARK,LRC	4	760325
	761740	TIRE/WHEEL ASSY 5.7X8,FLEX FOAM	4	761740

NOTE: Items with * in tables indicates parts not shown in drawing

WHEELS



ITEM	PART #	DESCRIPTION	QTY	REF #
1	709002	NUT, 1/2-20, TAPERED WHEEL	5	709002
2*	761166	TIRE PRESSURE LABEL, 45PSI	4	761166
3	759849	TIRE/WHEEL 145R12 HIGH SPEED 5-HOLE	4	759849
	761197	ASSY, TIRE/WHEEL, 205/65-10, 5-BOLT	4	761197

NOTE: Items with * in tables indicates parts not shown in drawing



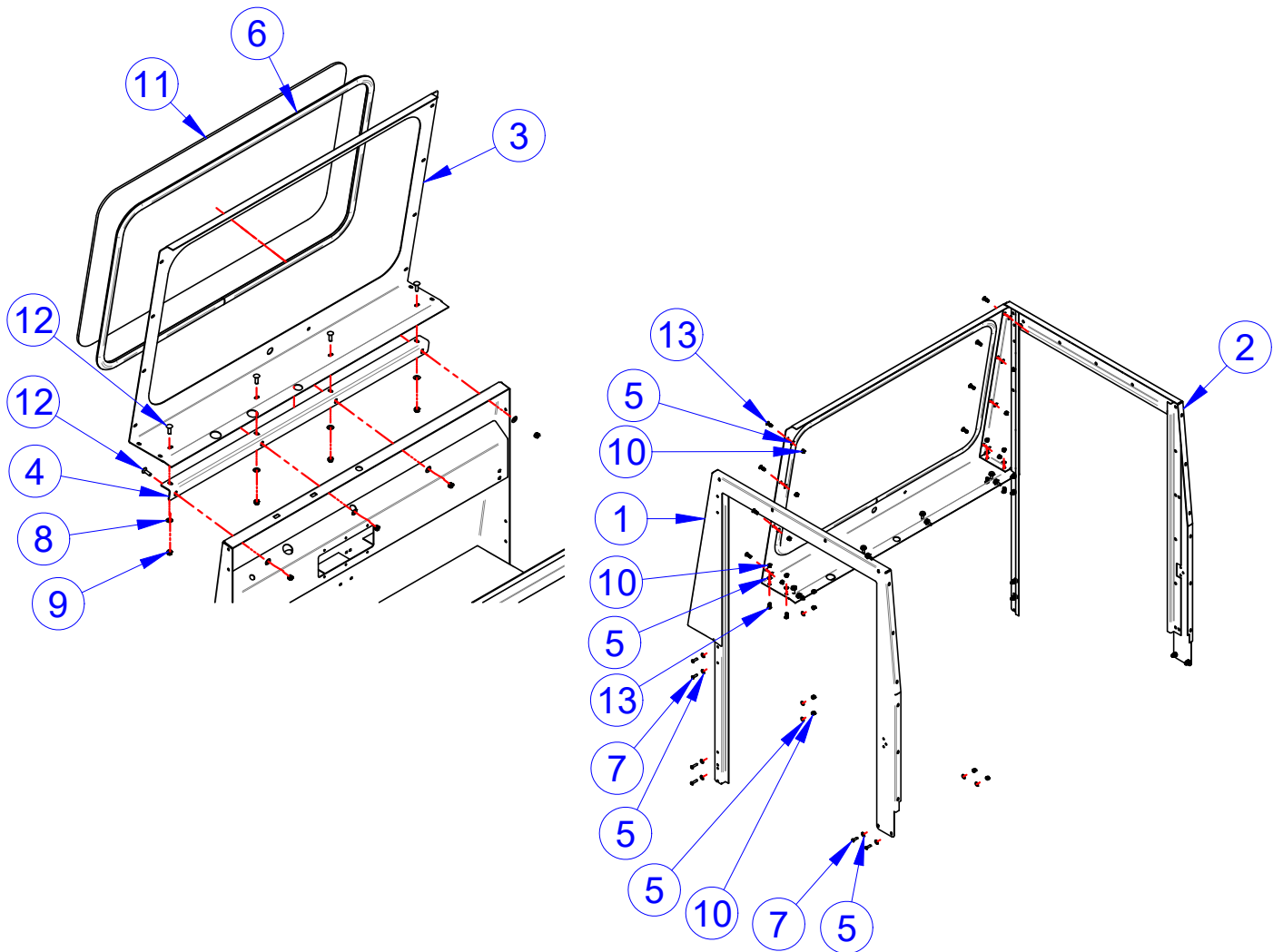
COLUMBIA

PAYLOADER

PARTS MANUAL SECTION 5

BODY

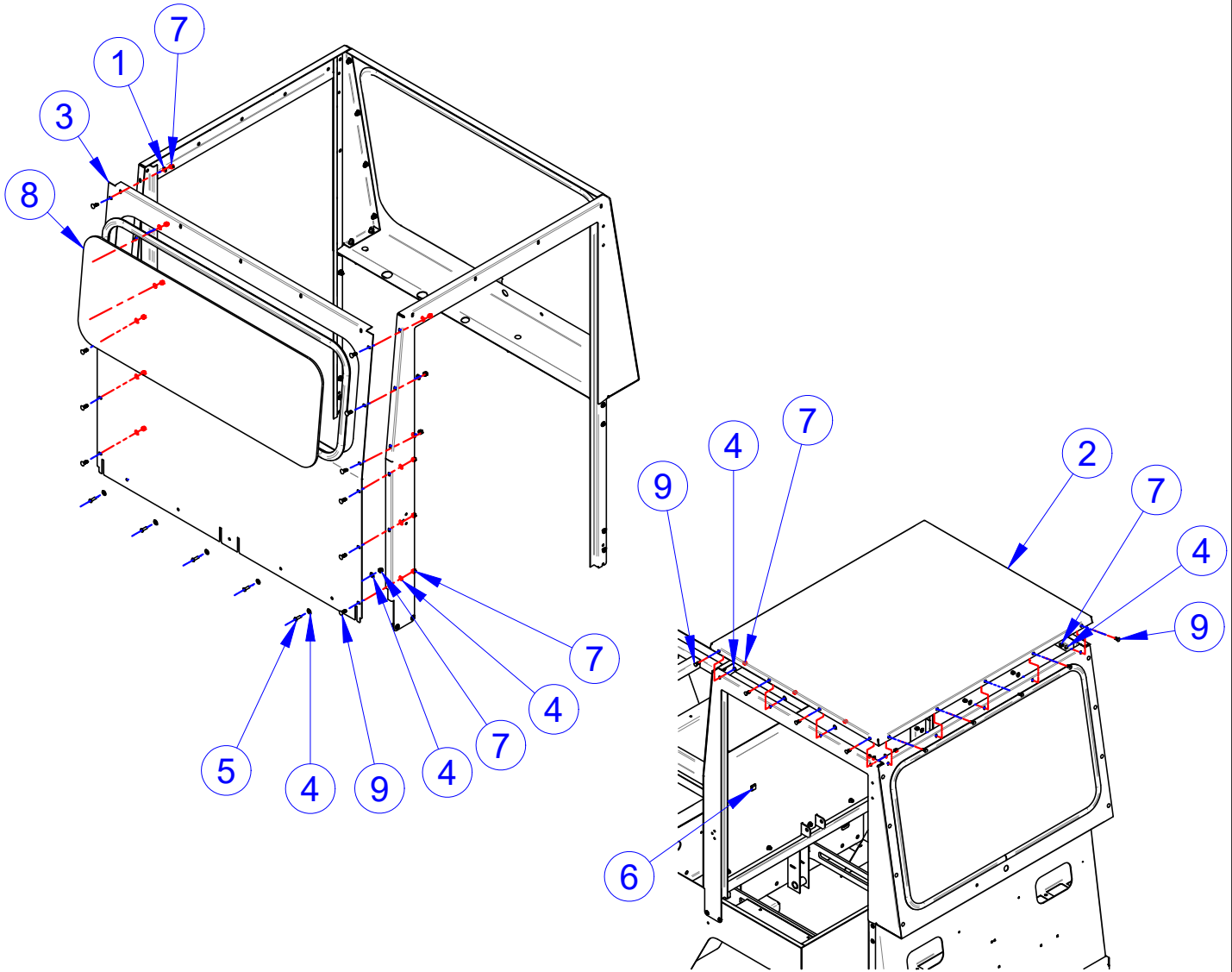
CAB



ITEM	PART #	DESCRIPTION	QTY	REF #
1	308432	WLDMT, PANEL, LH, CAB, PL	1	308432
2	308433	WLDMT, PANEL, RH, CAB, PL	1	308433
3	520683	PANEL, CAB, FRONT, PL	1	520683
4	511225	BRKT, CAB FRONT, PL	1	511225
5	708511	WASHER, FLAT, 1/4", 18-8SS	5	708511
6*	719163	WEATHER STRIPPING, SELF-SEALING	19.67	719163
7	719374	SCREW, 1/4-20X3/4", BHCS, 18-8SS	2	719374
8	719375	WSHR, 5/16X0.750X0.040, F/W, 18-8S/S	1	719375
9	719377	NUT, 5/16-18, L/N, NYL, NE, 18-8SS	1	719377
10	719876	NUT, 1/4-20, L/N, NYL, NE, 316, S/S	3	719876
11	468351	CRATED, WINDSHLD GLASS KIT, PL	1	468351
12	761292	SCR, 5/16-18X1.0, CARR, 18-8S/S	2	761292
13	781739	SCR, 1/4-20 X 0.75, CARR, 18-8, S/S	2	781739

NOTE: Items with * in tables indicates parts not shown in drawing

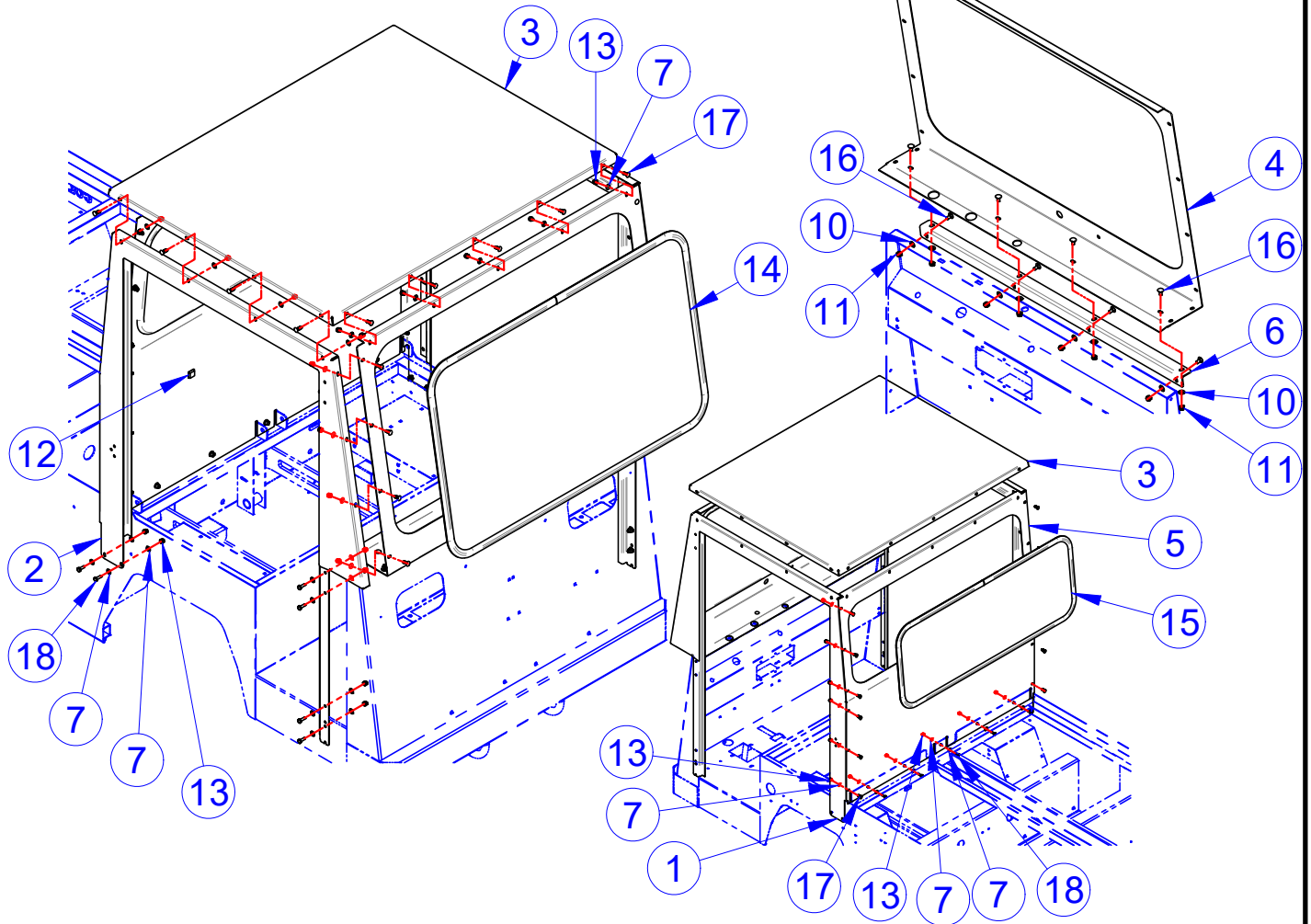
CAB



ITEM	PART #	DESCRIPTION	QTY	REF #
1	308432	WLDMT, PANEL, LH, CAB, PL	1	308432
2	308473	WLDMT, PANEL, TOP, CAB, PL	1	308473
3	511222	PANEL, REAR, CAB, PL	1	511222
4	708511	WASHER, FLAT, 1/4", 18-8SS	5	708511
5	719374	SCREW, 1/4-20X3/4", BHCS, 18-8SS	1	719374
6	719738	BUMPER BLACK 3M#SJ5023	1	719738
7	719876	NUT, 1/4-20, L/N, NYL, NE, 316, S/S	5	719876
8	468352	CRATED, REAR WNDSHLD, GLASS KIT, PL	1	468352
9	781739	SCR, 1/4-20 X 0.75, CARR, 18-8, S/S	3	781739

NOTE: Items with * in tables indicates parts not shown in drawing

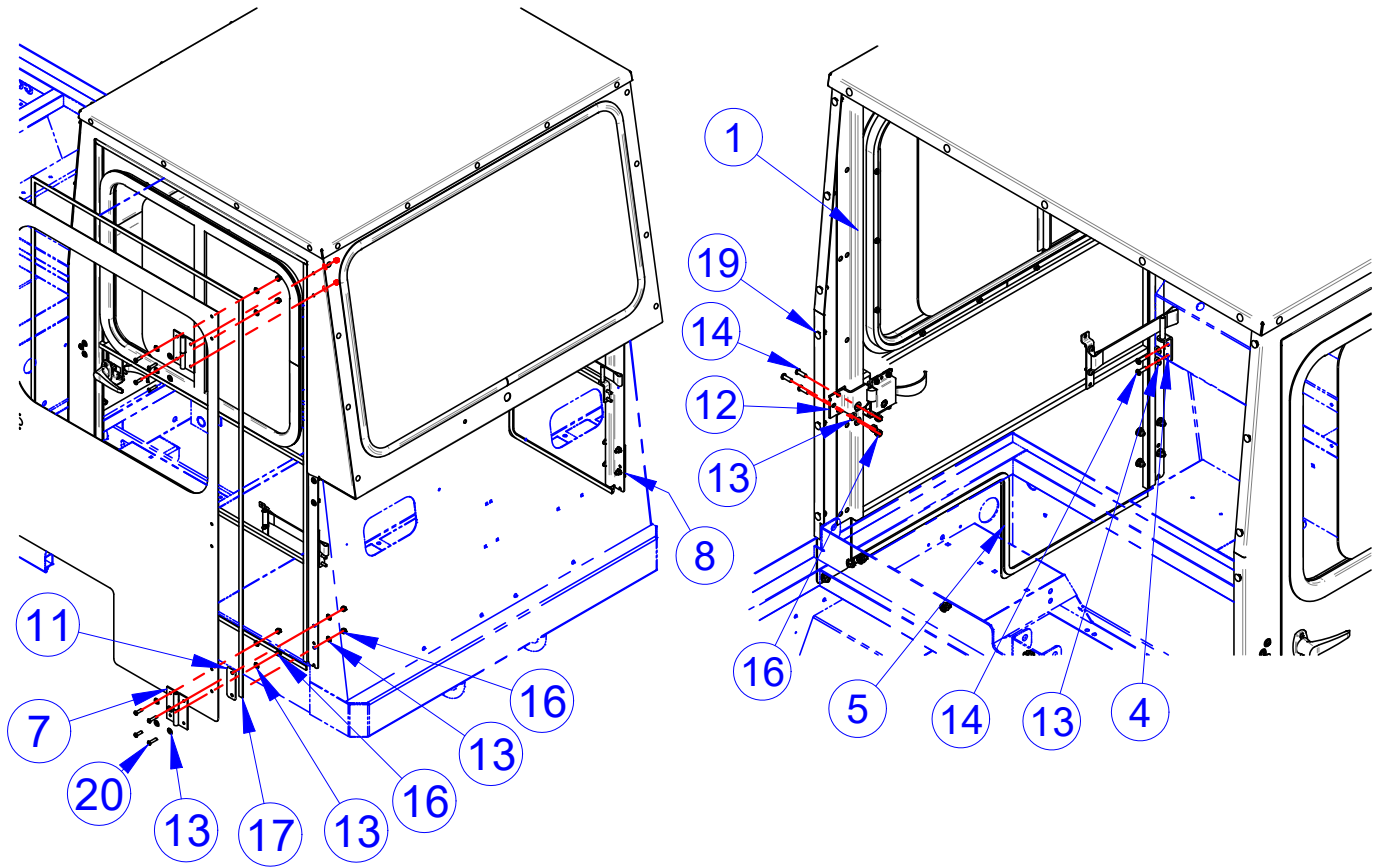
CAB WITHOUT DOORS



ITEM	PART #	DESCRIPTION	QTY	REF #
1	308432	WLDMT, PANEL, LH, CAB, PL	1	308432
2	308433	WLDMT, PANEL, RH, CAB, PL	1	308433
3	308473	WLDMT, PANEL, TOP, CAB, PL	1	308473
4	511221	PANEL, FRONT, CAB, PL	1	511221
5	511222	PANEL, REAR, CAB, PL	1	511222
6	511225	BRKT, CAB FRONT, PL	1	511225
7	708511	WASHER, FLAT, 1/4", 18-8SS	76	708511
8*	719163	WEATHER STRIPPING, SELF-SEALING, 236" LG	19.67	719163
9*	719355	MOLDING, BLACK	19.70	719355
10	719375	WSHR,5/16X0.750X0.040,F/W,18-8S/S	8	719375
11	719377	NUT, 5/16-18, L/N, NYL, NE, 18-8SS	8	719377
12	719738	BUMPER BLACK 3M#SJ5023	2	719738
13	719876	NUT, 1/4-20, L/N, NYL, NE, 316, S/S	59	719876
14*	468351	CRATED, WINDSHLD GLASS KIT, PL	1	468351
15*	468352	CRATED, REAR WNDSHLD, GLASS KIT, PL	1	468352
16	761642	SCREW,5/16-18-5/8,CARR,18-8 SS	8	761642
17	781739	SCR, 1/4-20 X 0.75, CARR, 18-8, S/S	42	781739
18	782784	SCREW,1/4-20X3/4,HHCS,18-8SS	17	782784

NOTE: Items with * in tables indicates parts not shown in drawing

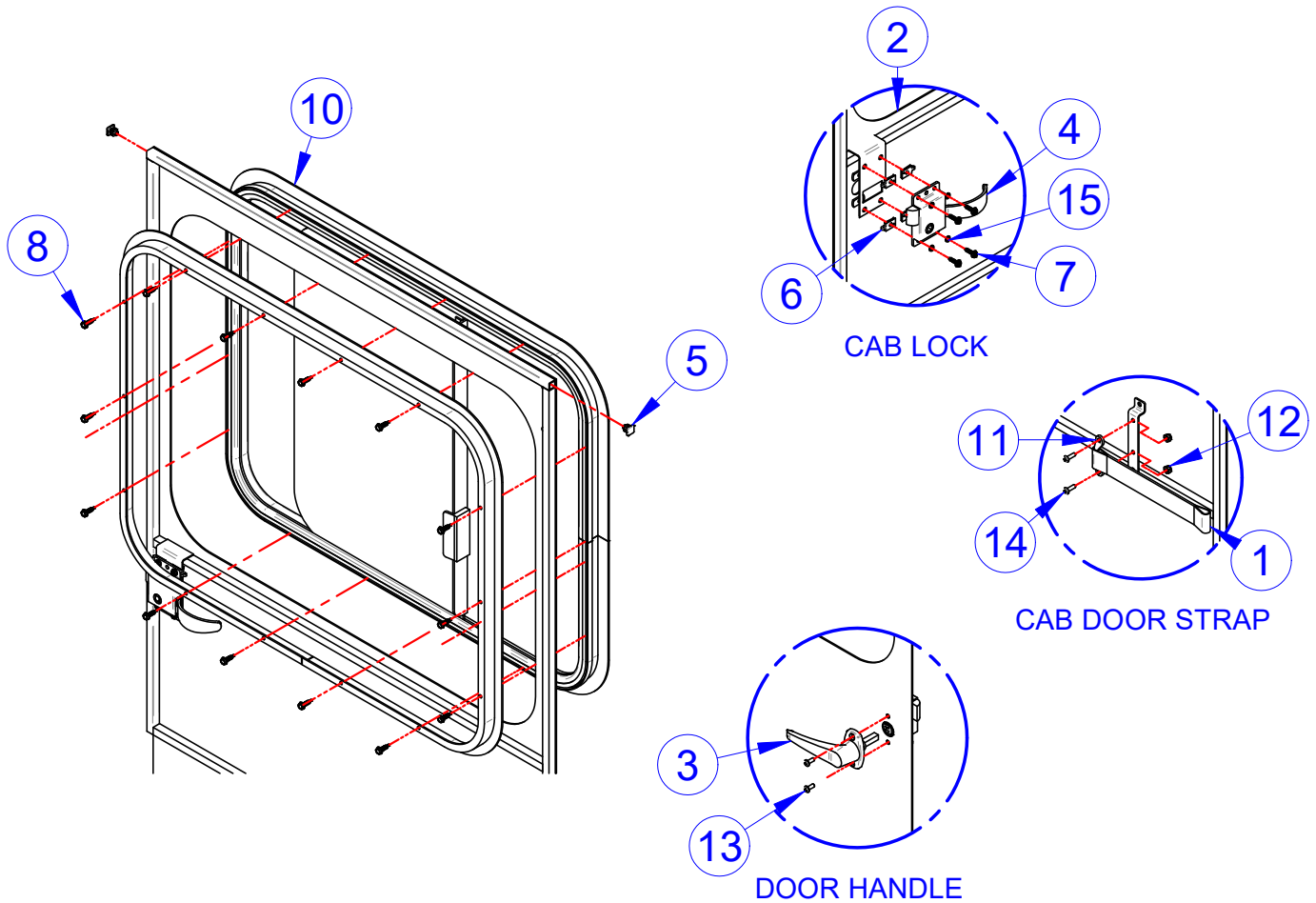
CAB, DOORS



ITEM	PART #	DESCRIPTION	QTY	REF #
1	308432	WLDMT, PANEL, LH, CAB, PL	1	308432
2*	308433	WLDMT, PANEL, RH, CAB, PL	1	308433
3*	308473	WLDMT, PANEL, TOP, CAB, PL	1	308473
4	314294	WLDMT, DOOR STRAP HOOK	2	314294
5	NONE	ASSY, CAB DOOR, STL, LH, PL	1	467859
	NONE	ASM, BC LCKING LH CAB DOOR, STL, BC	1	467861
6*	NONE	ASSY, CAB DOOR, STL, LH, PL	1	467860
	NONE	ASM, BC LCKING RH CAB DOOR, STL, BC	1	467862
7	509197	HINGE, LIFT-OFF, CAB RH	2	509197
8	509198	HINGE, LIFT-OFF, CAB LH	2	509198
9*	511221	PANEL, FRONT, CAB, PL	1	511221
10*	511225	BRKT, CAB FRONT, PL	1	511225
11	511269	PL, SPACER - DOOR HINGE	2	511269
12	511827	LATCH, DOOR, STEEL CAB, PAINTED	2	511827
13	708511	WASHER, FLAT, 1/4", 18-8SS	116	708511
14	719374	SCREW, 1/4-20X3/4", BHCS, 18-8SS	31	719374
15*	719375	WSHR, 5/16X0.75X0.040, F/W, 18-8S/S	8	719375
16	719876	NUT, 1/4-20, L/N, NYL, NE, 316, S/S	77	719876
17	739272	TAPE, FOAM, 1/8 X 1/2	20.00	739272
18*	761292	SCR, 5/16-18X1.0, CARR, 18-8S/S	8	761292
19	781739	SCR, 1/4-20 X 0.75, CARR, 18-8, S/S	42	781739
20	782719	SCR, 1/4-20 X 1, BSHCS, 18-8, S/S	8	782719

NOTE: Items with * in tables indicates parts not shown in drawing

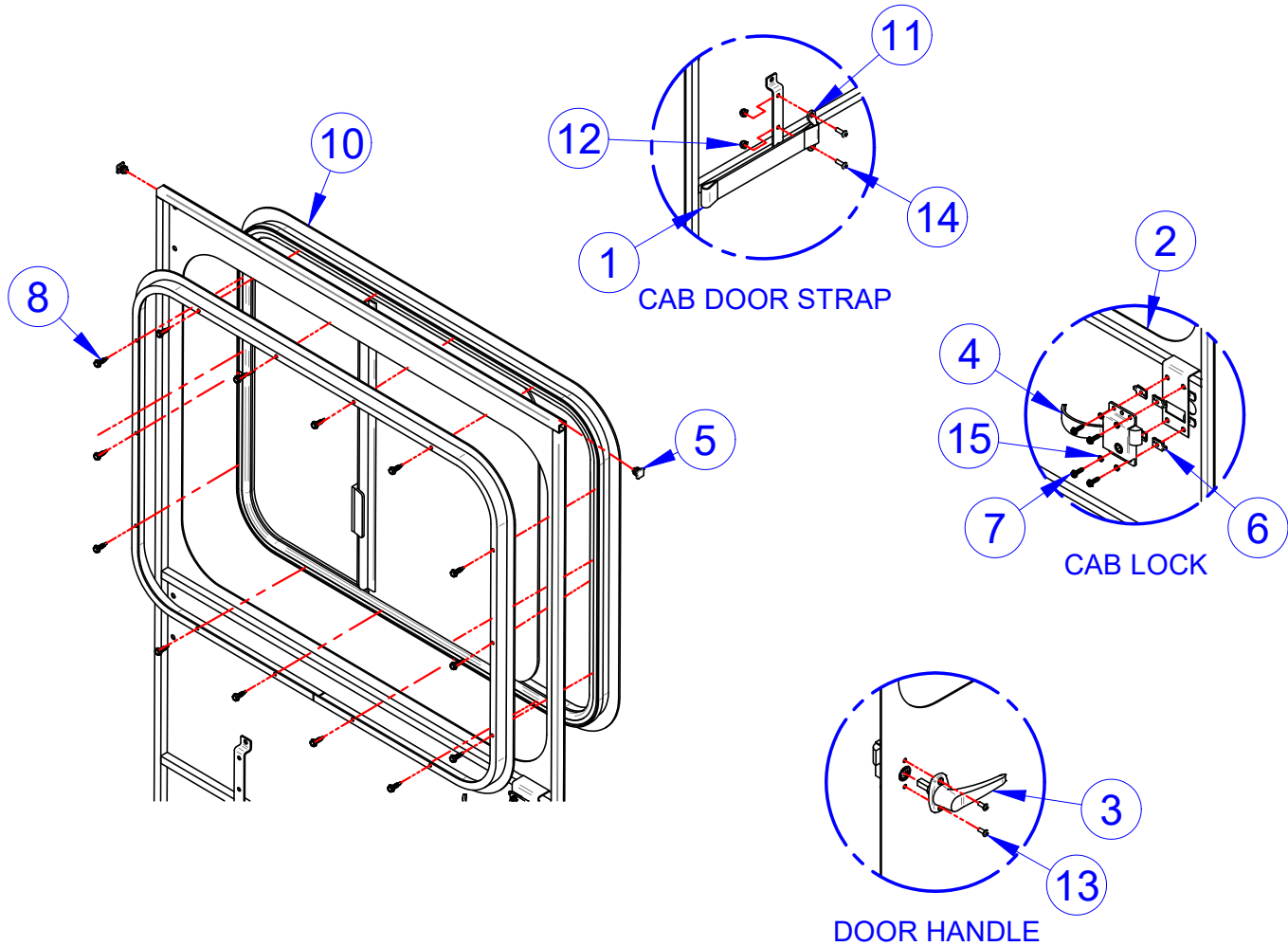
LEFT HAND CAB DOOR



ITEM	PART #	DESCRIPTION	QTY	REF #
1	309370	STRAP, CAB DOOR	1	309370
2	311087	WLDMT, DOOR, LH, PL	1	311087
3	518603	HANDLE, DOOR, NON-LOCKING, PL	1	518603
4	709524	CAB LOCK, W/INSIDE HANDLE, LH	1	709524
5	719425	PLUG, 1/2" SQ X 16-18GA	2	719425
6	719538	NUT, TINNEMAN, #10 U-TYPE	4	719538
7	719563	SCREW, #10X3/4, SHWH, T/S, TA, ZC	4	719563
8	719583	SCREW, 10-16X3/4, HWH, TEK, MAG525	14	719583
9*	739272	TAPE, FOAM, 1/8 X 1/2	8	739272
10	749709C	CRATED, WNDW, BC CAB, SLIDING LH	1	749709
11	760404	FIXED STRAP RETAINER	1	760404
12	761631	NUT, #10-24 GRD 18-8 NM SS NYLOCK	2	761631
13	761632	SCREW, #10-24X1/2" PPH GRD 18-8 SS	2	761632
14	761633	SCREW, 10-24X5/8, PPHMS, 18-8SS	2	761633
15	782706	WSHR, #10, L/W, SPLIT, 18-8, S/S	4	782706

NOTE: Items with * in tables indicates parts not shown in drawing

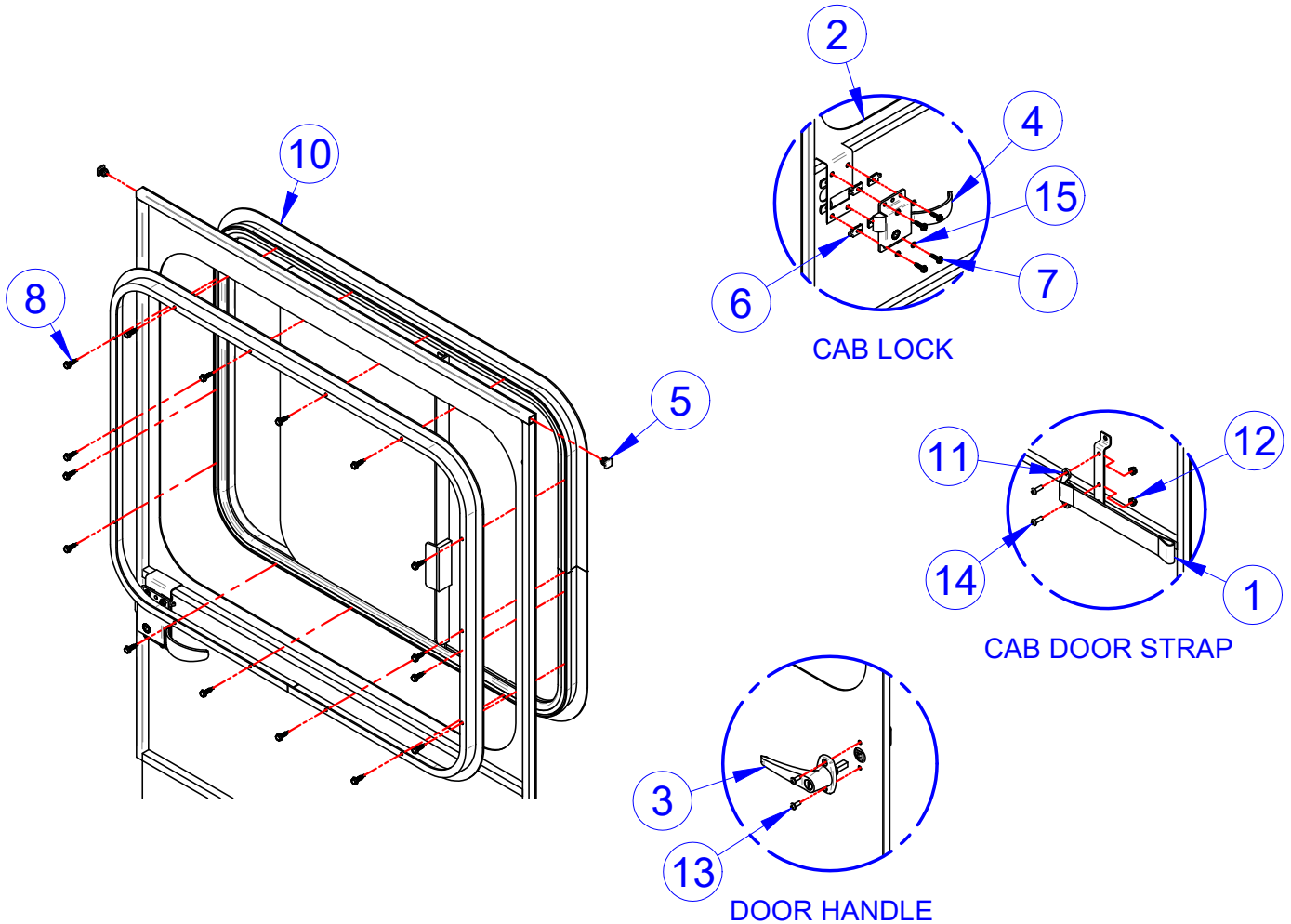
RIGHT HAND CAB DOOR



ITEM	PART #	DESCRIPTION	QTY	REF #
1	309370	STRAP, CAB DOOR	1	309370
2	311086	WLDMT, DOOR, RH, PL	1	311086
3	518603	HANDLE, DOOR, NON-LOCKING, PL	1	518603
4	709523	CAB LOCK, W/INSIDE HANDLE, RH	1	709523
5	719425	PLUG, 1/2" SQ X 16-18GA	2	719425
6	719538	NUT, TINNEMAN, #10 U-TYPE	4	719538
7	719563	SCREW, #10X3/4, SHWH, T/S, TA, ZC	4	719563
8	719583	SCREW, 10-16X3/4, HWH, TEK, MAG525	14	719583
9*	739272	TAPE, FOAM, 1/8 X 1/2	8	739272
10	759743C	CRATED WINDOW, BC CAB, SLIDING RH	1	759743
11	760404	FIXED STRAP RETAINER	1	760404
12	761631	NUT, #10-24 GRD 18-8 NM SS NYLOCK	2	761631
13	761632	SCREW, #10-24X1/2" PPH GRD 18-8 SS	2	761632
14	761633	SCREW, 10-24X5/8, PPHMS, 18-8SS	2	761633
15	782706	WSHR, #10, L/W, SPLIT, 18-8, S/S	4	782706

NOTE: Items with * in tables indicates parts not shown in drawing

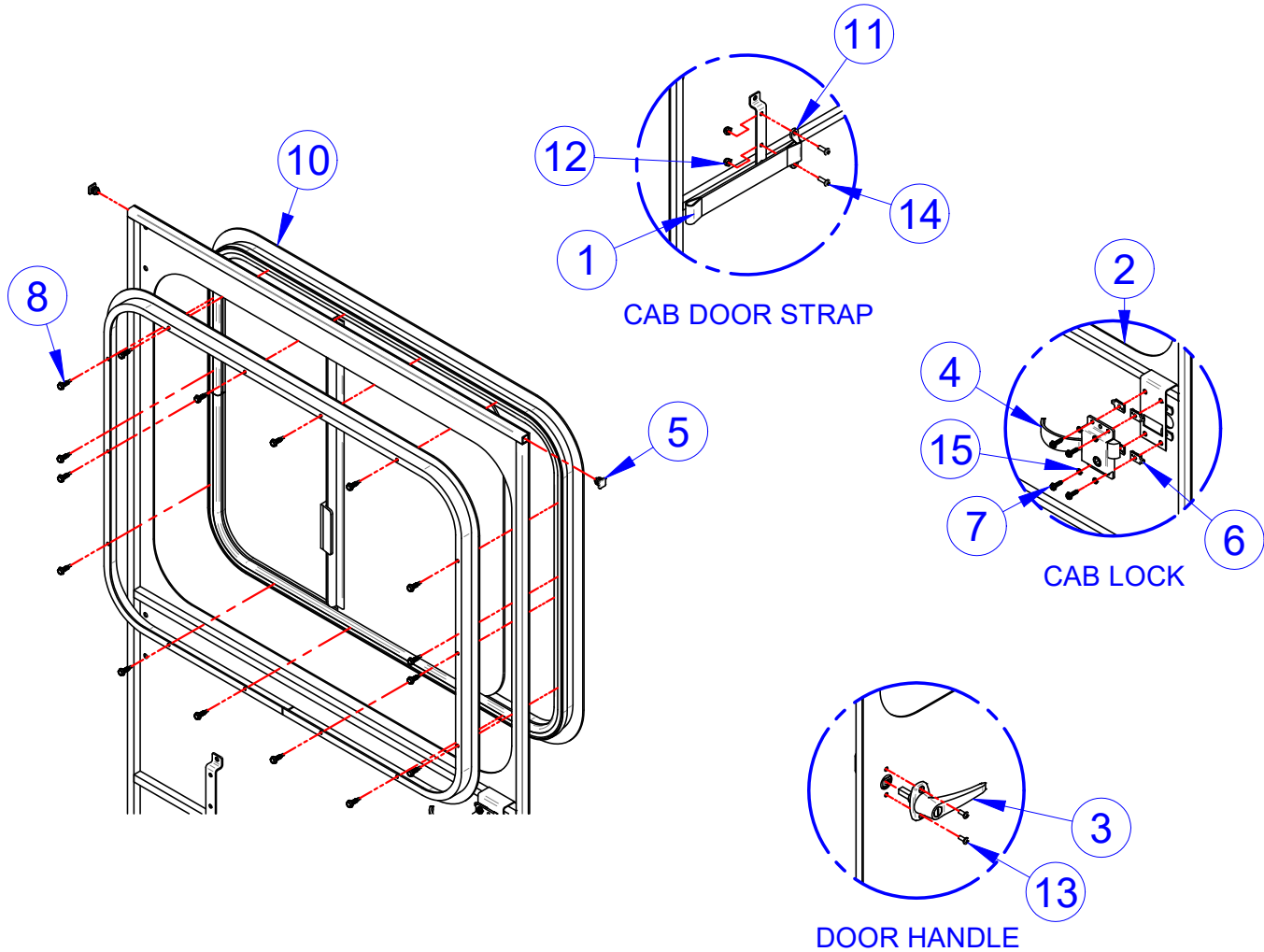
LEFT HAND LOCKING CAB DOOR



ITEM	PART #	DESCRIPTION	QTY	REF #
1	309370	STRAP, CAB DOOR	1	309370
2	311087	WLDMT, DOOR, LH, PL	1	311087
3	518604	HANDLE, DOOR, LOCKING, PL	1	518604
4	709524	CAB LOCK, W/INSIDE HANDLE, LH	1	709524
5	719425	PLUG, 1/2" SQ X 16-18GA	2	719425
6	719538	NUT, TINNEMAN, #10 U-TYPE	4	719538
7	719563	SCREW, #10X3/4, SHWH, T/S, TA, ZC	4	719563
8	719583	SCREW, 10-16X3/4, HWH, TEK, MAG525	16	719583
9*	739272	TAPE, FOAM, 1/8 X 1/2	8	739272
10	749709C	CRATED, WNDW, BC CAB, SLIDING LH	1	749709
11	760404	FIXED STRAP RETAINER	1	760404
12	761631	NUT, #10-24 GRD 18-8 NM SS NYLOCK	2	761631
13	761632	SCREW, #10-24X1/2" PPH GRD 18-8 SS	2	761632
14	761633	SCREW, 10-24X5/8, PPHMS, 18-8SS	2	761633
15	782706	WSHR, #10, L/W, SPLIT, 18-8, S/S	4	782706

NOTE: Items with * in tables indicates parts not shown in drawing

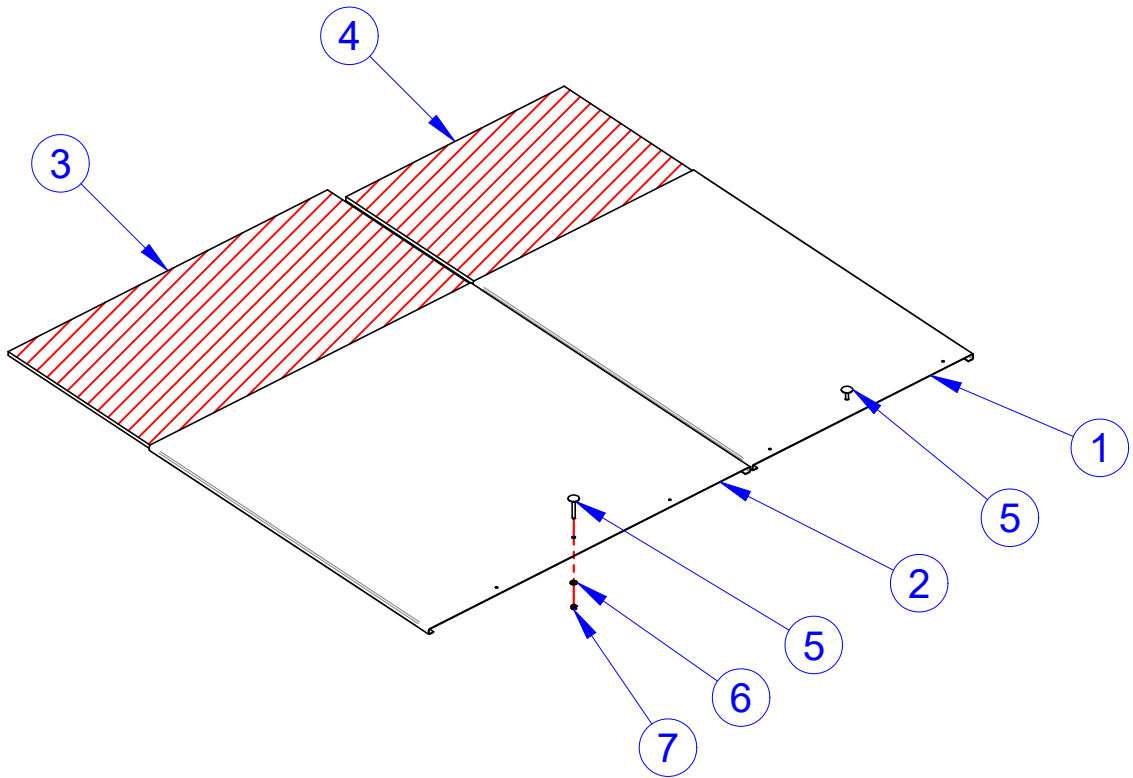
RIGHT HAND LOCKING CAB DOOR



ITEM	PART #	DESCRIPTION	QTY	REF #
1	309370	STRAP, CAB DOOR	1	309370
2	311086	WLDMT, DOOR, RH, PL	1	311086
3	518604	HANDLE, DOOR, LOCKING, PL	1	518604
4	709523	CAB LOCK, W/INSIDE HANDLE, RH	1	709523
5	719425	PLUG, 1/2" SQ X 16-18GA	2	719425
6	719538	NUT, TINNERMAN, #10 U-TYPE	4	719538
7	719563	SCREW, #10X3/4, SHWH, T/S, TA, ZC	4	719563
8	719583	SCREW, 10-16X3/4, HWH, TEK, MAG525	16	719583
9*	739272	TAPE, FOAM, 1/8 X 1/2	8	739272
10	759743C	CRATED WINDOW, BC CAB, SLIDING RH	1	759743
11	760404	FIXED STRAP RETAINER	1	760404
12	761631	NUT, #10-24 GRD 18-8 NM SS NYLOCK	2	761631
13	761632	SCREW, #10-24X1/2" PPH GRD 18-8 SS	2	761632
14	761633	SCREW, 10-24X5/8, PPHMS, 18-8SS	2	761633
15	782706	WSHR, #10, L/W, SPLIT, 18-8, S/S	4	782706

NOTE: Items with * in tables indicates parts not shown in drawing

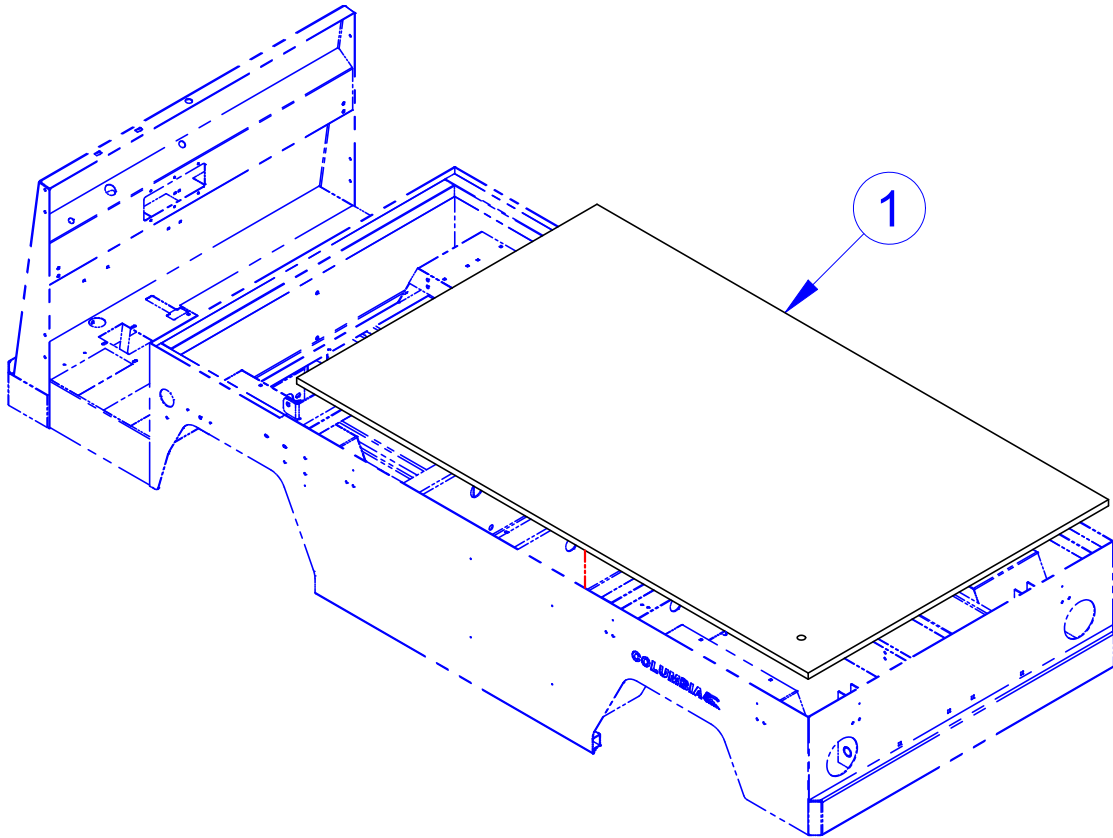
DECK COVER



ITEM	PART #	DESCRIPTION	QTY	REF #
1	509377TB	DECK BOARD, COVER, SHORT	1	509377
2	509378TB	DECK BOARD COVER, LONG	1	509378
3	510367	DECK BOARD, 44.25 X 44.00	1	510367
4	510368	DECK BOARD, 30.25 X 44.00	1	510368
5	709418	SCREW, 5/16-18 X 2 1/2< ELV BOLT, UNPLT	2	709418
6	719375	WSHR,5/16X0.750X0.040,F/W,18-8S/S	2	719375
7	719377	NUT, 5/16-18, L/N, NYL, NE, 18-8, S/S	2	719377

NOTE: Items with * in tables indicates parts not shown in drawing

MEZZTREAD DECK 2XL



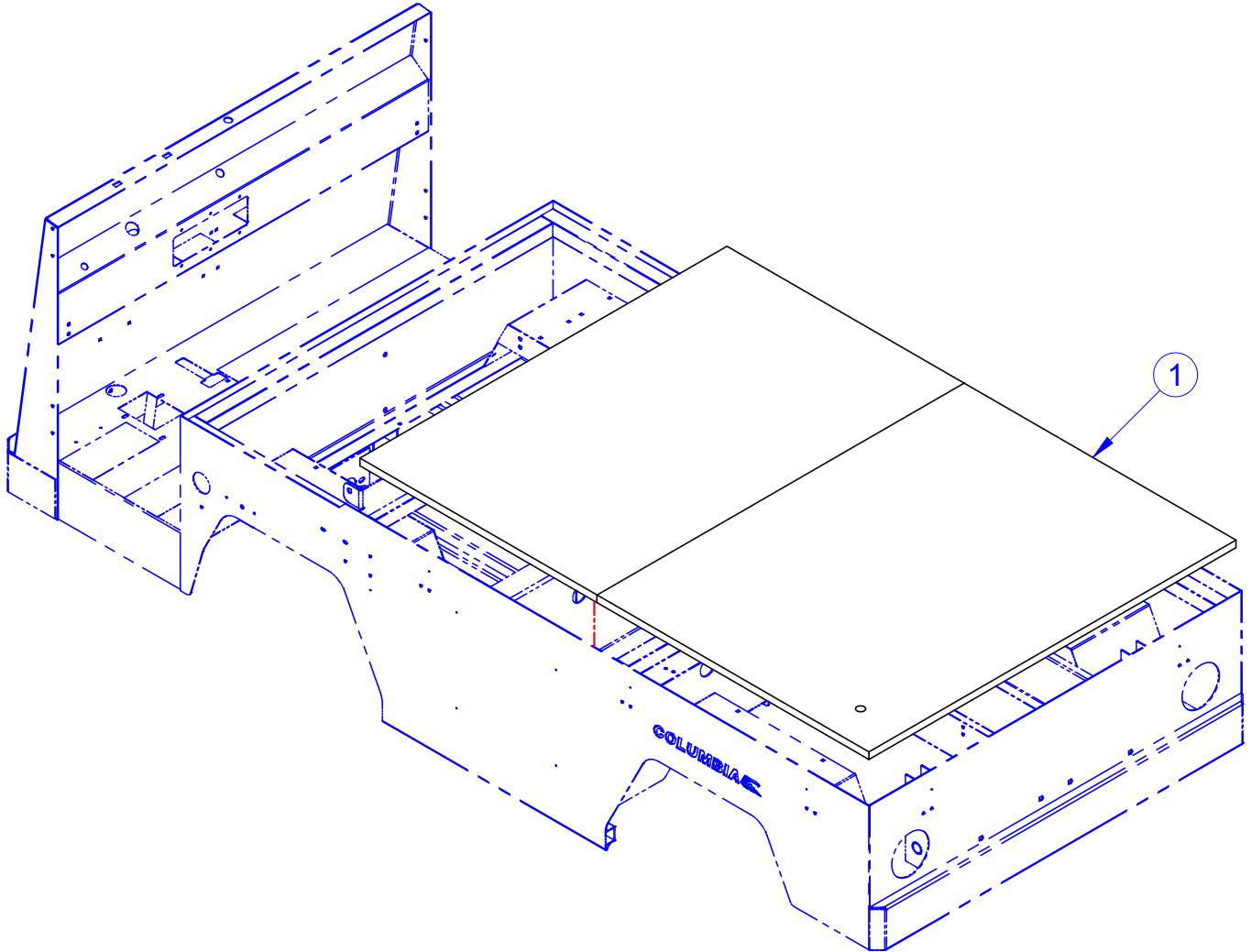
ITEM	PART #	DESCRIPTION	QTY	REF #
1	193732U	P&A KIT, DECK BOARDS, BC-; MEZZ	1	193732

NOTE: Items with * in tables indicates parts not shown in drawing

Columbia Vehicle Group, Inc.
A Nordic Group Company | Business Ventures Since 1947



MEZZTREAD DECK 2X



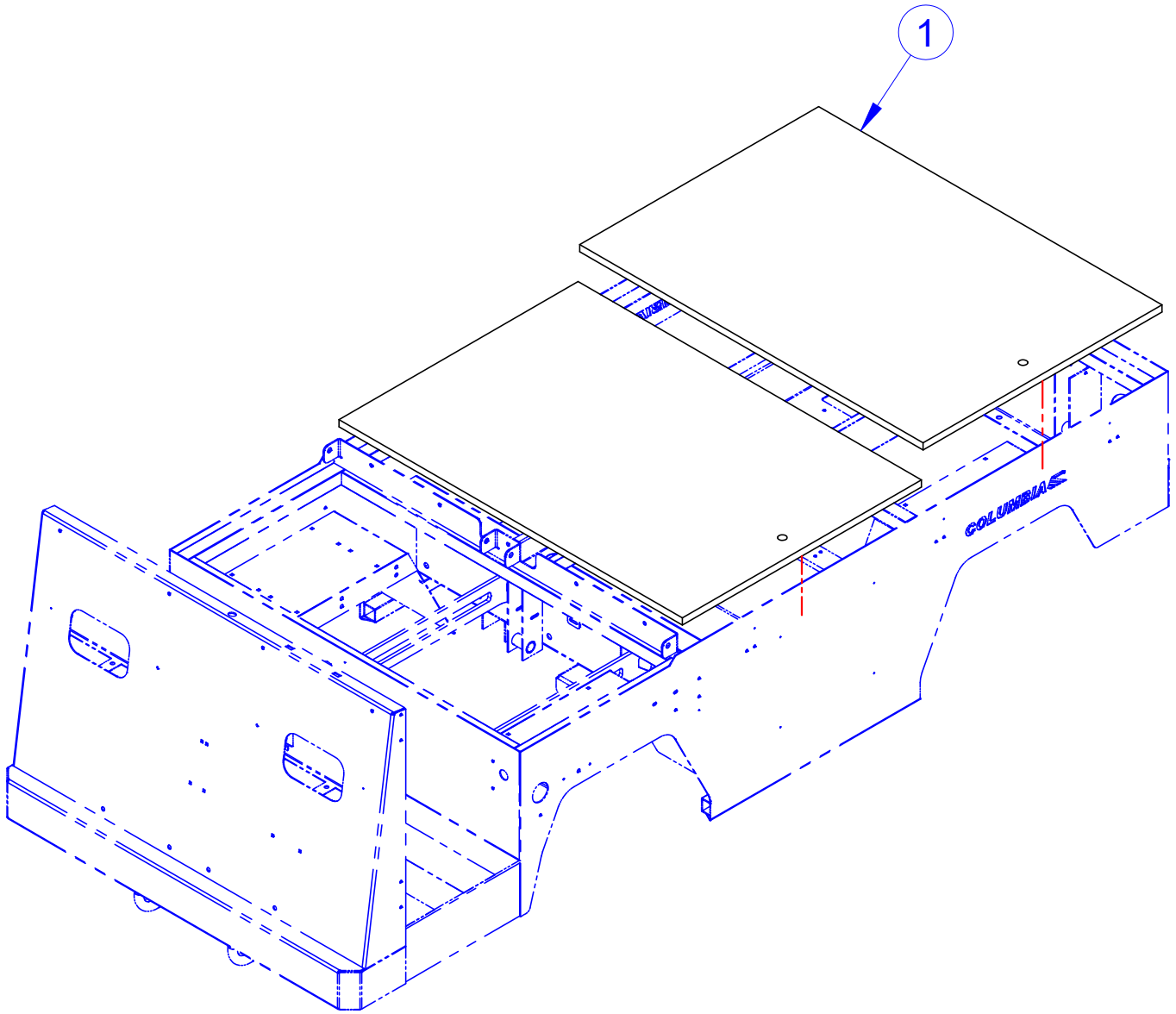
ITEM	PART #	DESCRIPTION	QTY	REF #
1	513994	DECK, BC-S MEZZTREAD	2	513994

NOTE: Items with * in tables indicates parts not shown in drawing

Columbia Vehicle Group, Inc.
A Nordic Group Company | Business Ventures Since 1947



MEZZTREAD DECK, VAN 2X



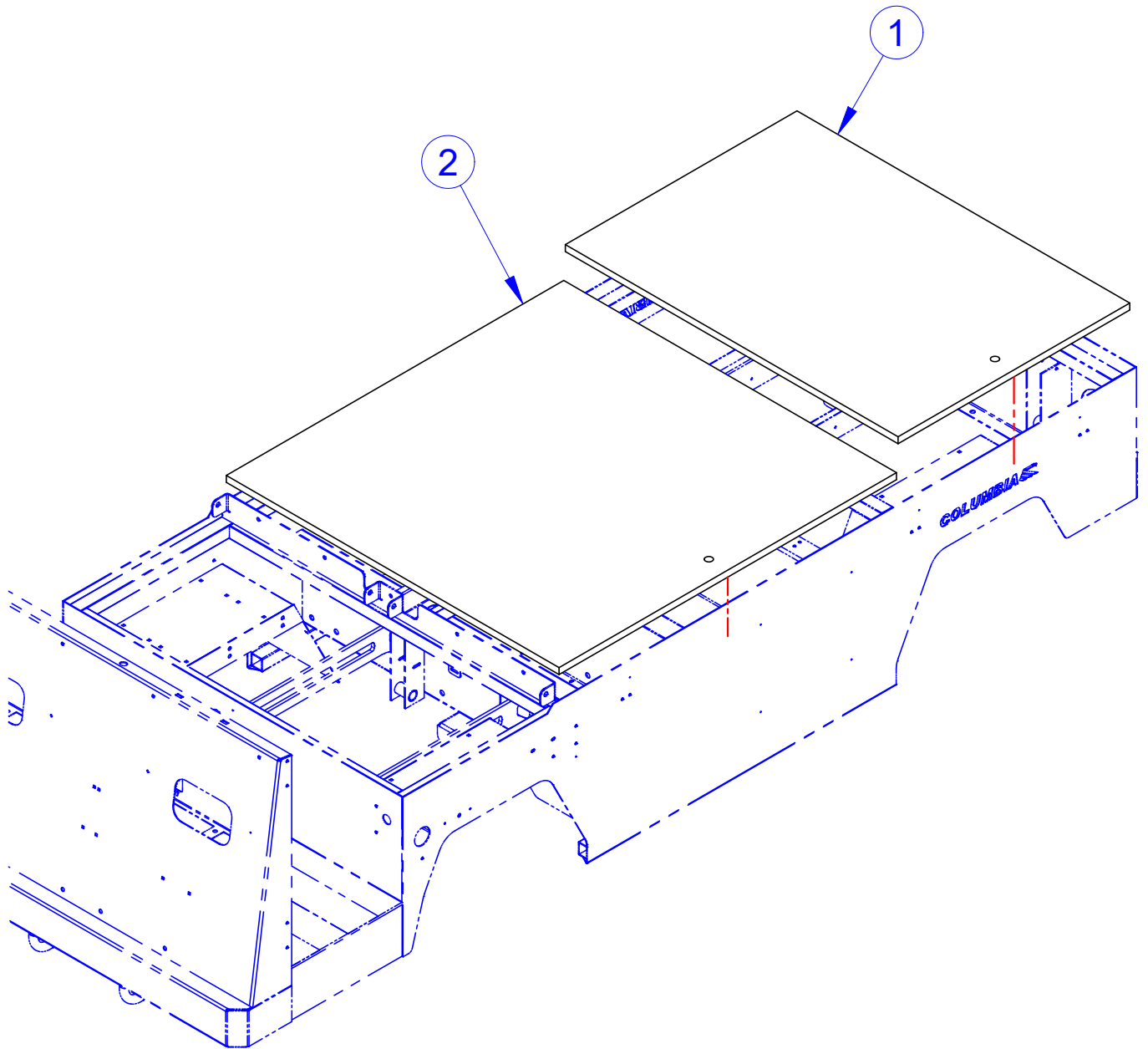
ITEM	PART #	DESCRIPTION	QTY	REF #
1	513994	DECK, BC VAN, SHORT, MEZZ	2	513994

NOTE: Items with * in tables indicates parts not shown in drawing

Columbia Vehicle Group, Inc.
A Nordic Group Company | Business Ventures Since 1947



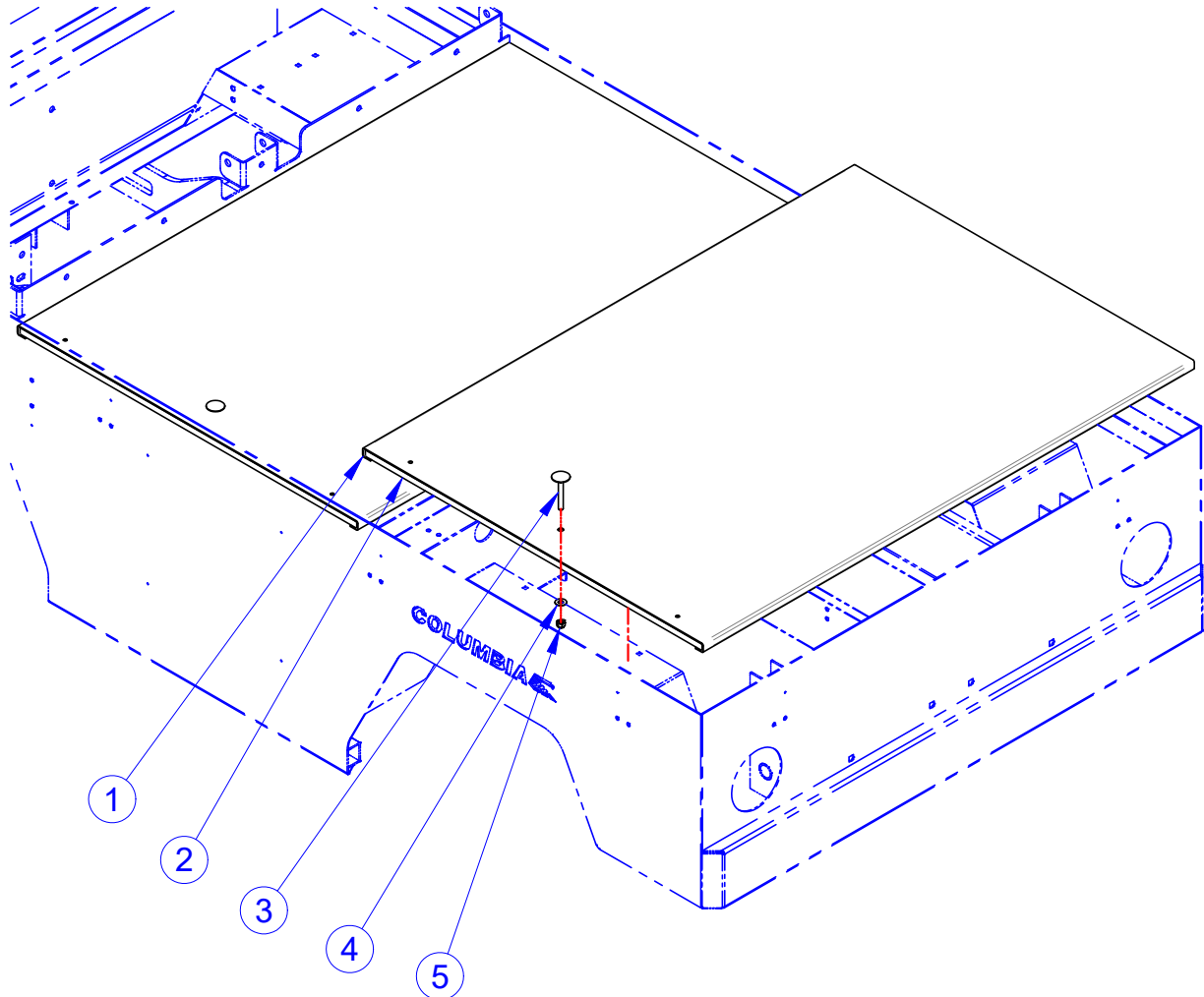
MEZZTREAD DECK, VAN 2XL



ITEM	PART #	DESCRIPTION	QTY	REF #
1	513994	DECK, BC VAN, SHORT, MEZZ	1	513994
2	513995	DECK, BC VAN, LONG, MEZZ	1	513995

NOTE: Items with * in tables indicates parts not shown in drawing

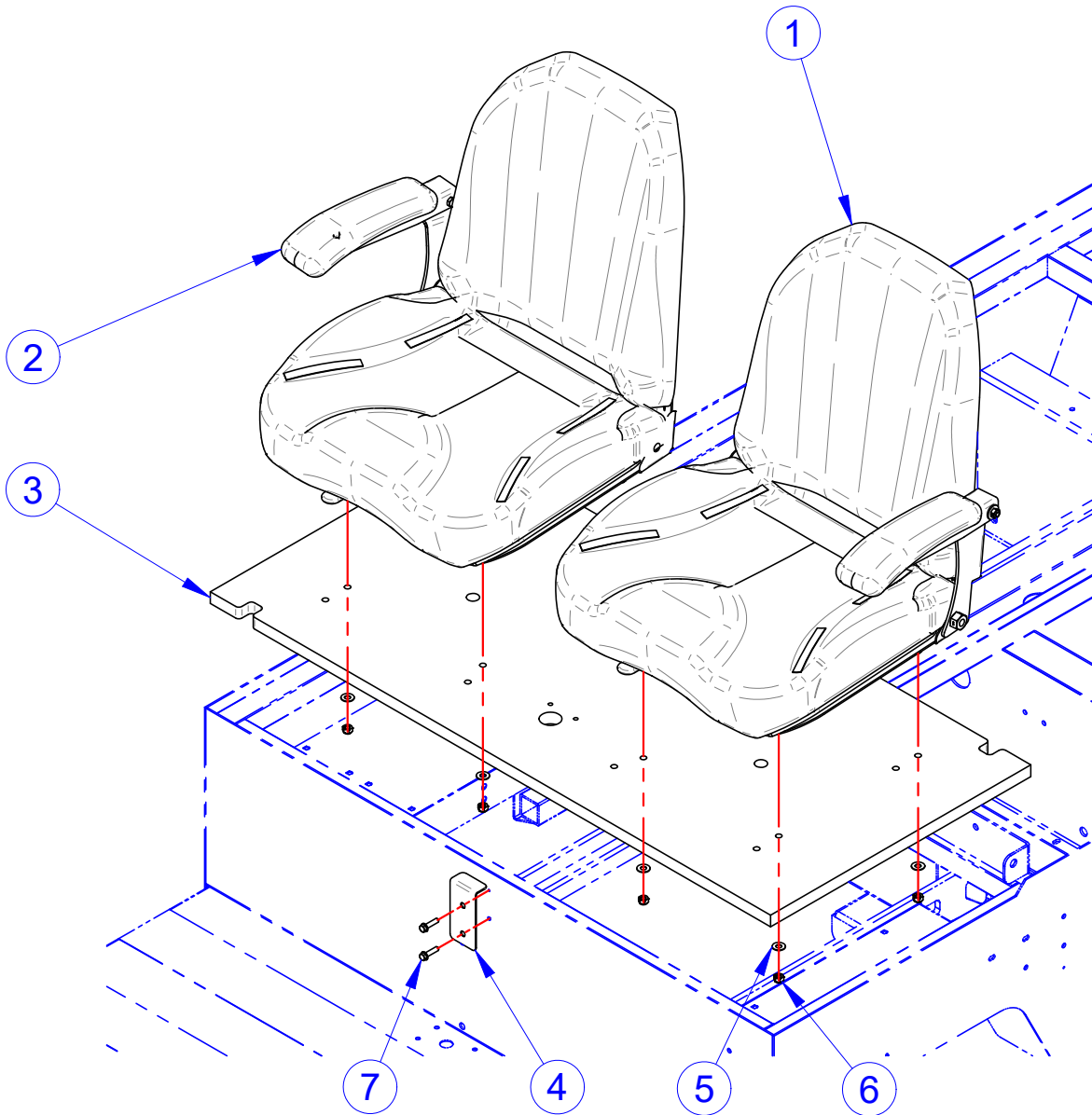
STEEL WRAPPED DECK BOARD



ITEM	PART #	DESCRIPTION	QTY	REF #
1-5	467600	P&A ASSY, SHORT STEEL WRAP DECK, PL		467600
1	509377TB	DECK BOARD COVER, SHORT	2	509377
2	510368	DECK BOARD, 30.25 X 44.00	2	510368
3	709418	SCREW, 5/16-18 X 2 1/2< ELV BOLT, UNPLT	2	709418
4	719375	WSHR,5/16X0.750X0.040,F/W,18-8S/S	2	719375
5	719377	NUT, 5/16-18, L/N, NYL, NE, 18-8SS	2	719377

NOTE: Items with * in tables indicates parts not shown in drawing

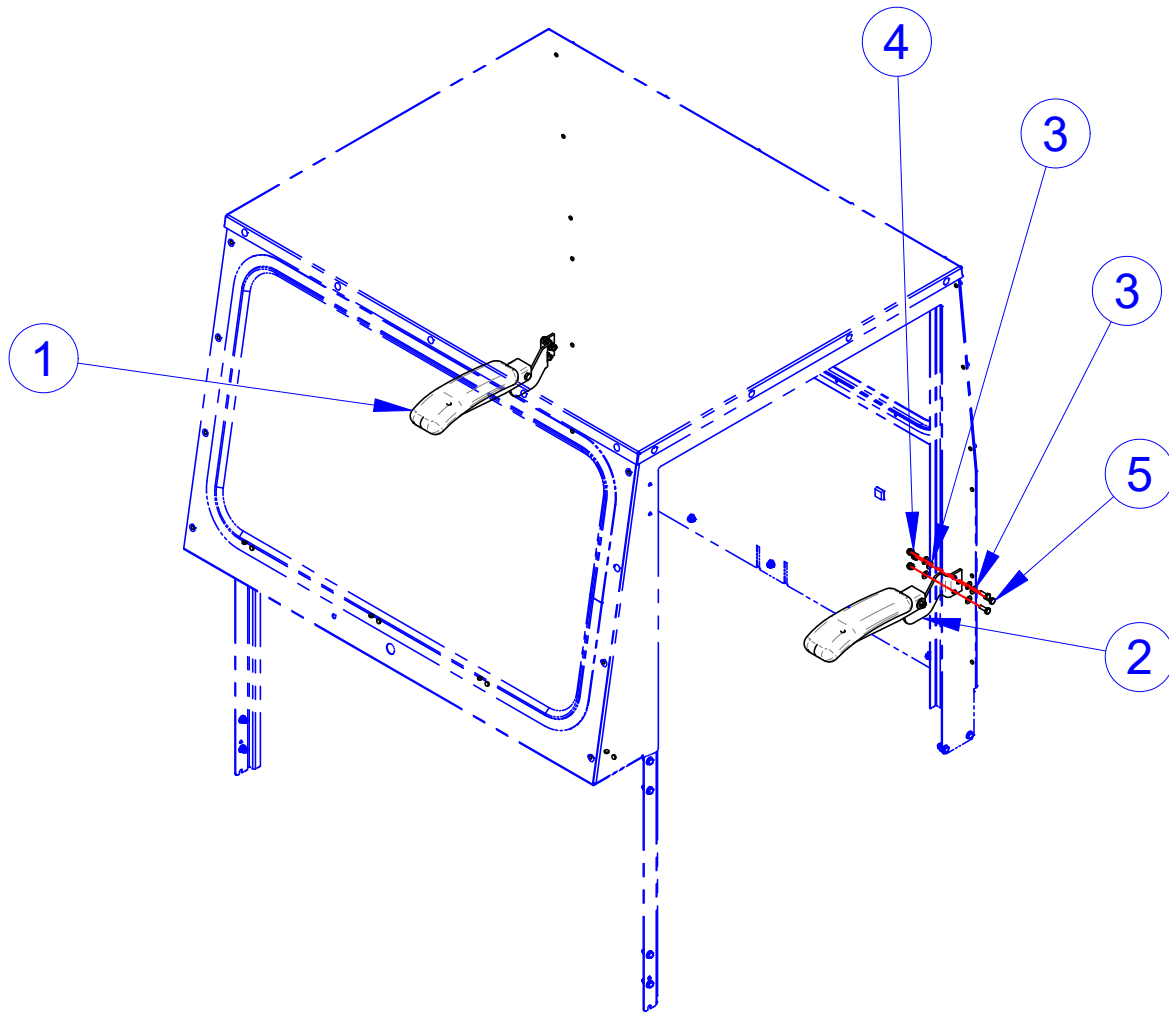
BUCKET SEATS



ITEM	PART #	DESCRIPTION	QTY	REF #
1	313603LA	907 SEAT-4"TRACK,W/SW,LH ARM	1	313603LA
	313603	907 SEAT-4"TRACK,W/SW,LH W/O ARMS	1	313603
2	313604RA	907 SEAT-4"TRACK,RH ARM	1	313604RA
	313604	907 SEAT-4"TRACK,RH W/O ARMS	1	313604
3	513014	SEAT BOARD, MEZZ-TREAD, BC	1	513014
4	514385	BRKT, SEAT HOLD DOWN, BC	1	514385
5	719375	WSHR,5/16X0.750X0.040,F/W,18-8S/S	8	719375
6	719377	NUT, 5/16-18, L/N, NYL, NE, 18-8, S/S	8	719377
7	761639	SCREW,1/4-20X1.0,FCSHTR,18-8 SS	2	761639
8*	468059	HARNESS, BC HANDBRAKE SWITCH	1	468059

NOTE: Items with * in tables indicates parts not shown in drawing

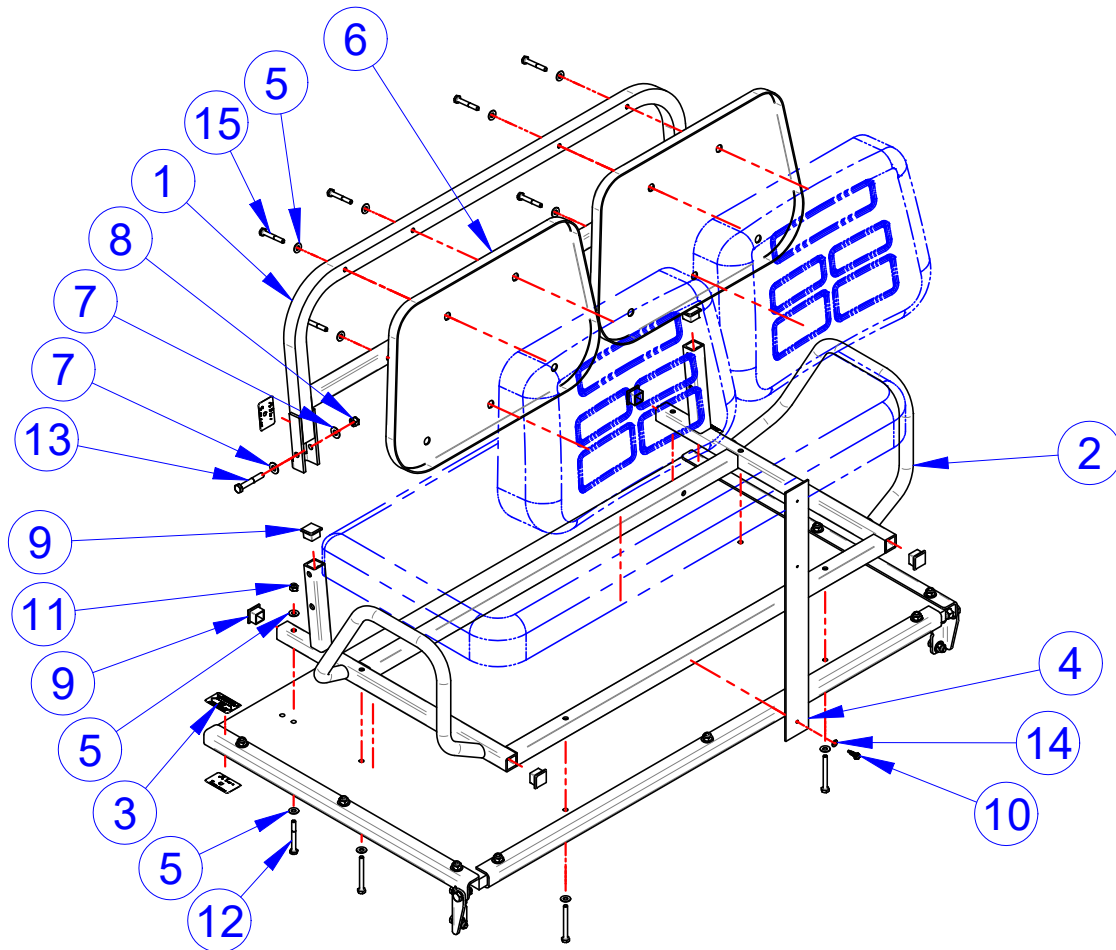
CAB ARMRESTS



ITEM	PART #	DESCRIPTION	QTY	REF #
1	NONE	ASSY, CAB ARMREST, RH, PL	1	308752
2	NONE	ASSY, CAB ARMREST, LH, PL	1	308753
3	708511	WASHER, FLAT, 1/4", 18-8SS	12	708511
4	719876	NUT, 1/4-20, L/N, NYL, NE, 316, S/S	6	719876
5	782784	SCREW, 1/4-20X3/4, HHCS, 18-8SS	6	782784

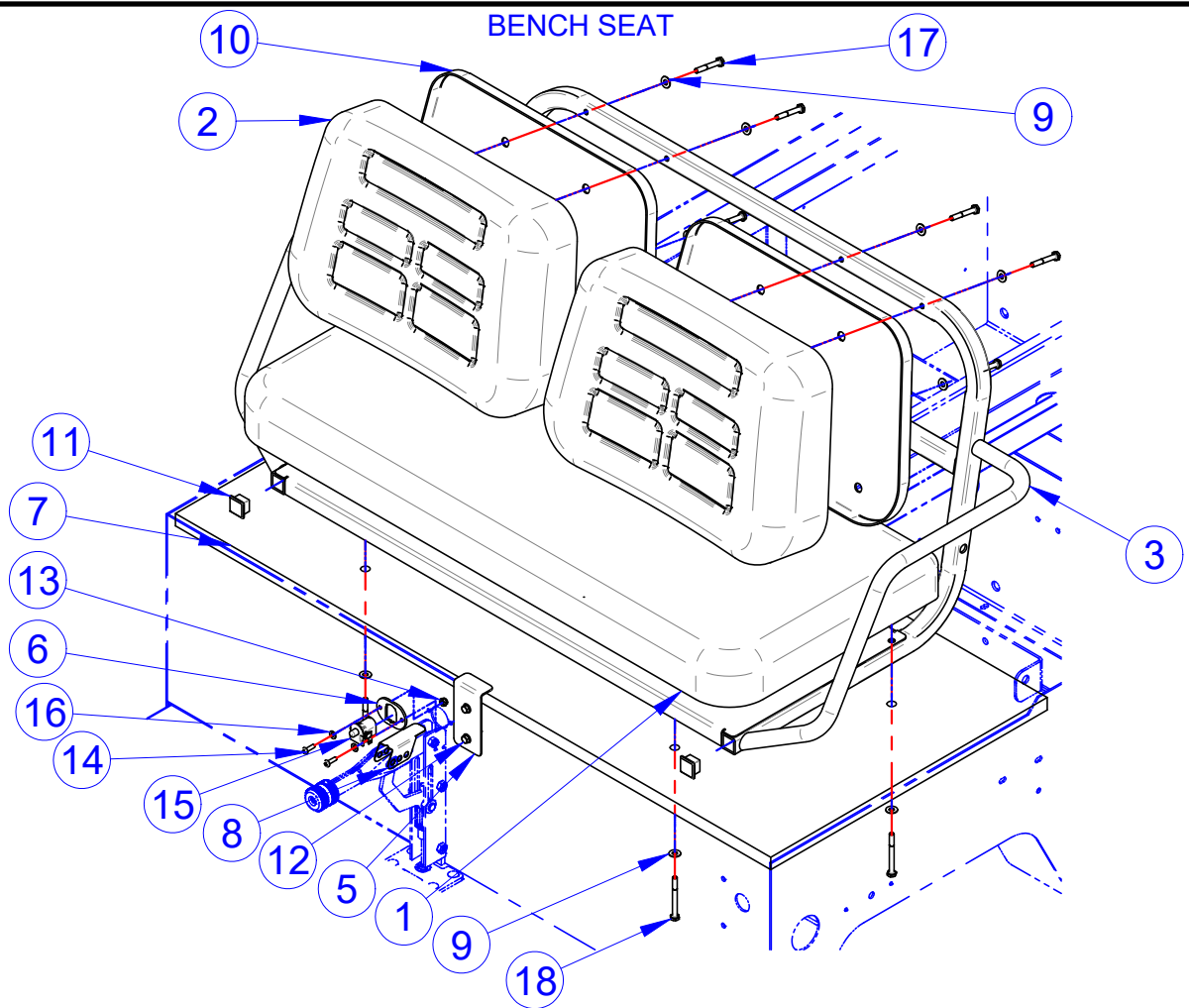
NOTE: Items with * in tables indicates parts not shown in drawing

FOLDING SEAT



ITEM	PART #	DESCRIPTION	QTY	REF #
1	308242	ASSY - SEAT BACK	1	308242
2	312713	WLDMT, SEAT BASE	1	312713
3	507980	PINCH WARNING	6	507980
4	511384	STRAP, SEAT HOLD DOWN	1	511384
5	708511	WASHER, FLAT, 1/4", 18-8SS	14	708511
6	709025	COVER - SEAT, BACK	2	709025
7	719375	WSHR,5/16X0.750X0.040,F/W,18-8S/S	17	719375
8	719377	NUT, 5/16-18, L/N, NYL, NE, 18-8SS	15	719377
9	719525	CAPLUG, 3/4 SQ, FP-161	8	719525
10	719583	SCREW,10-16X3/4,HWH,TEK,MAG525	1	719583
11	719876	NUT, 1/4-20, L/N, NYL, NE, 316, S/S	2	719876
12	761650	SCR, 1/4-20 X 2.25, HCS, 18-8, SS	2	761650
13	782298	SCR, 5/16-18 X 2, HHCS, 18-8, S/S	2	782298
14	782722	WSHR, #10 X 0.438 X 0.031, F/W, 18-8SS	1	782722
15	782786	SCREW,1/4-20X1.75,HHSC,18-8SS	6	782786

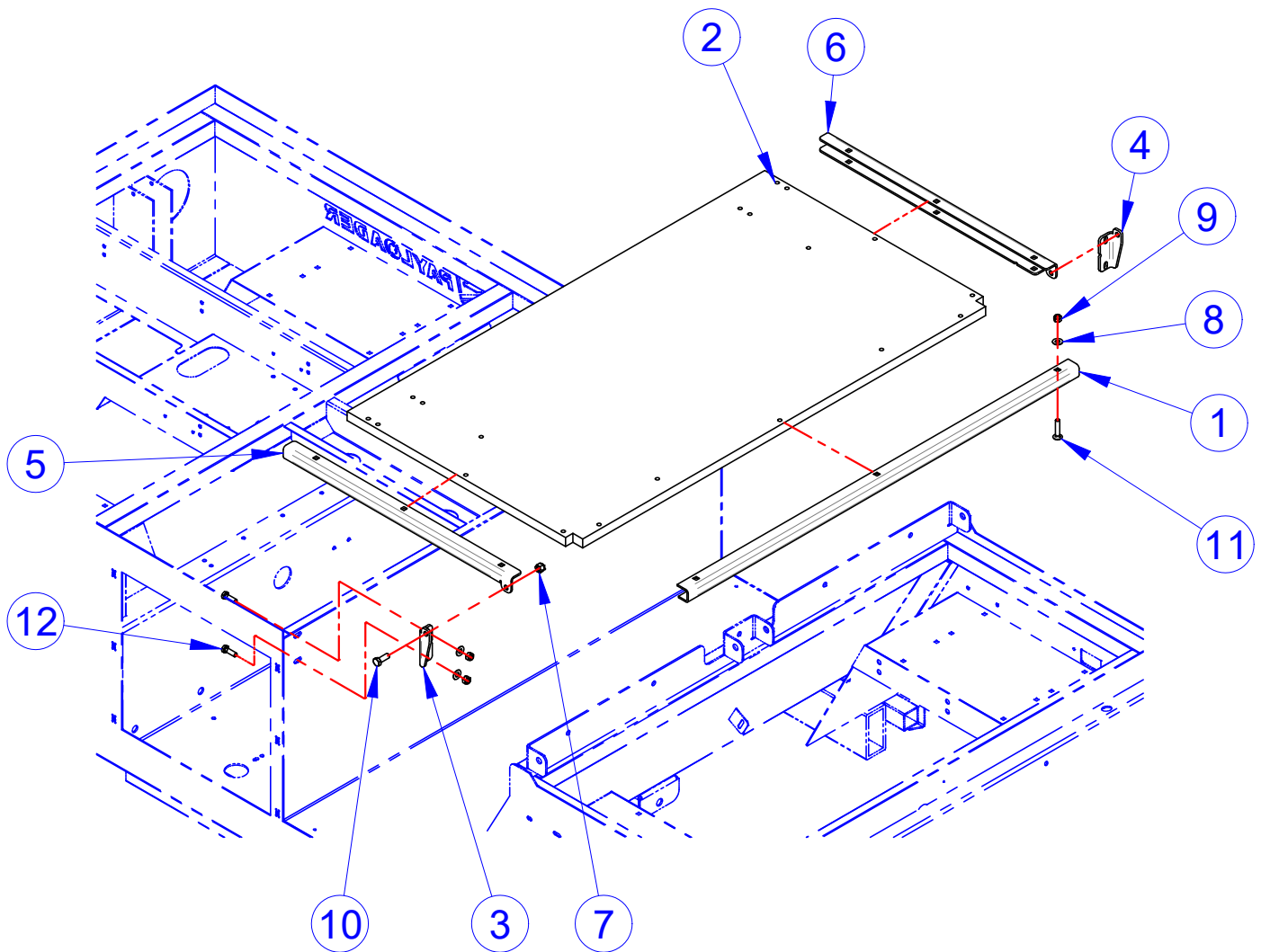
NOTE: Items with * in tables indicates parts not shown in drawing



ITEM	PART #	DESCRIPTION	QTY	REF #
1	143993	CPC CUSH ASSY RFS, COVER PER ORDER	1	143993
2	304216	CPC BACK ASSY, COVER PER ORDER	2	304216
3	312655TB	WLDMT, SEAT FRAME, BC BENCH	1	312655
4*	468059	HARNESS, BC HANDBRAKE SWITCH	1	468059
5	514385	BRKT, SEAT HOLD DOWN, BC	1	514385
6	515776	PLATE, HNDBRK SW	1	515776
7	516384	SEAT BOARD, BC BENCH	1	516384
8	516638	BRKT, HNDBRK SW STOP	1	516638
9	708511	WASHER, FLAT, 1/4", 18-8SS	10	708511
10	709025	COVER - SEAT, BACK	2	709025
11	719525	CAPLUG, 3/4 SQ, FP-161	2	719525
12	761639	SCREW, 1/4-20X1.0, FCSHTR, 18-8 SS	2	761639
13	761631	NUT, #10-24 GRD 18-8 NM SS NYLOCK	2	761631
14	761633	SCREW, 10-24X5/8, PPHMS, 18-8SS	2	761633
15	781580	SWITCH, PLUNGER, DELTA, NC, 6440-53	1	781580
16	782722	WSHR, #10 X 0.438 X 0.031, F/W, 18-8SS	2	782722
17	782786	SCREW, 1/4-20X1.75, HHSC, 18-8SS	6	782786
18	719631	*** SCREW, HEX HEAD	4	719631

NOTE: Items with * in tables indicates parts not shown in drawing

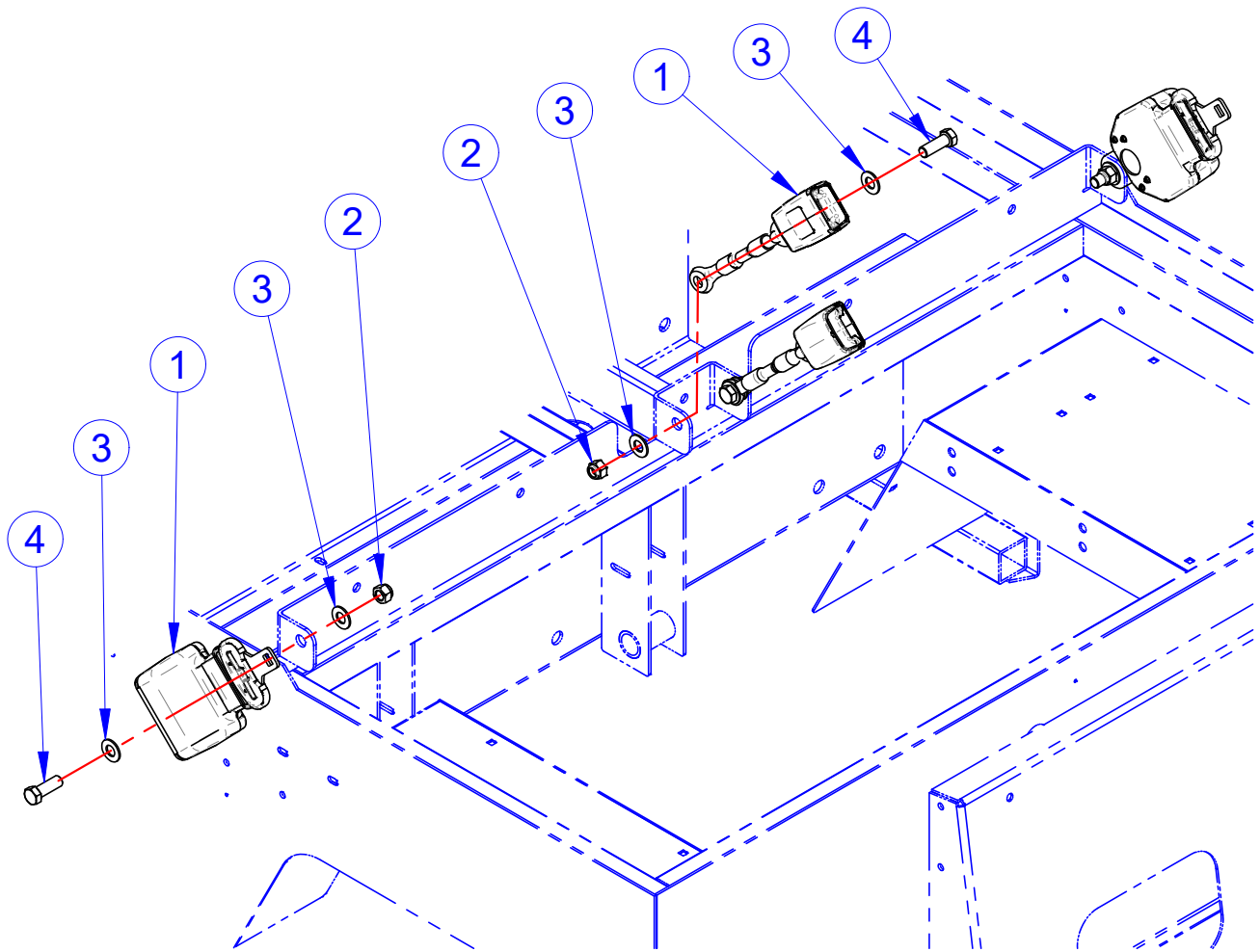
SEAT BOARD



ITEM	PART #	DESCRIPTION	QTY	REF #
1	511341	CHANNEL - SEAT BRD REINF	1	511341
2	513015	BOARD, 2ND SEAT, MEZZ-TREAD	1	513015
3	516409	BRKT, HINGE, RH	1	516409
4	516410	BRKT, HINGE, LH	1	516410
5	516411	CHAN, SEAT PIVOT, RH	1	516411
6	516412	CHAN, SEAT PIVOT, LH	1	516412
7	708860	NUT, 3/8-16, L/N, NYL, NE, 18-8, S/S	1	708860
8	719375	WSHR, 5/16X0.750X0.040, F/W, 18-8S/S	3	719375
9	719377	NUT, 5/16-18, L/N, NYL, NE, 18-8SS	3	719377
10	781786	SCR, 3/8-16 X 1, HHCS, 18-8SS	1	781786
11	781787	SCREW, 5/16-18X1-1/2, CARR, 18-8 SS	1	781787
12	782720	SCR, 5/16-18 X 1, HHCS, 18-8, S/S	2	782720

NOTE: Items with * in tables indicates parts not shown in drawing

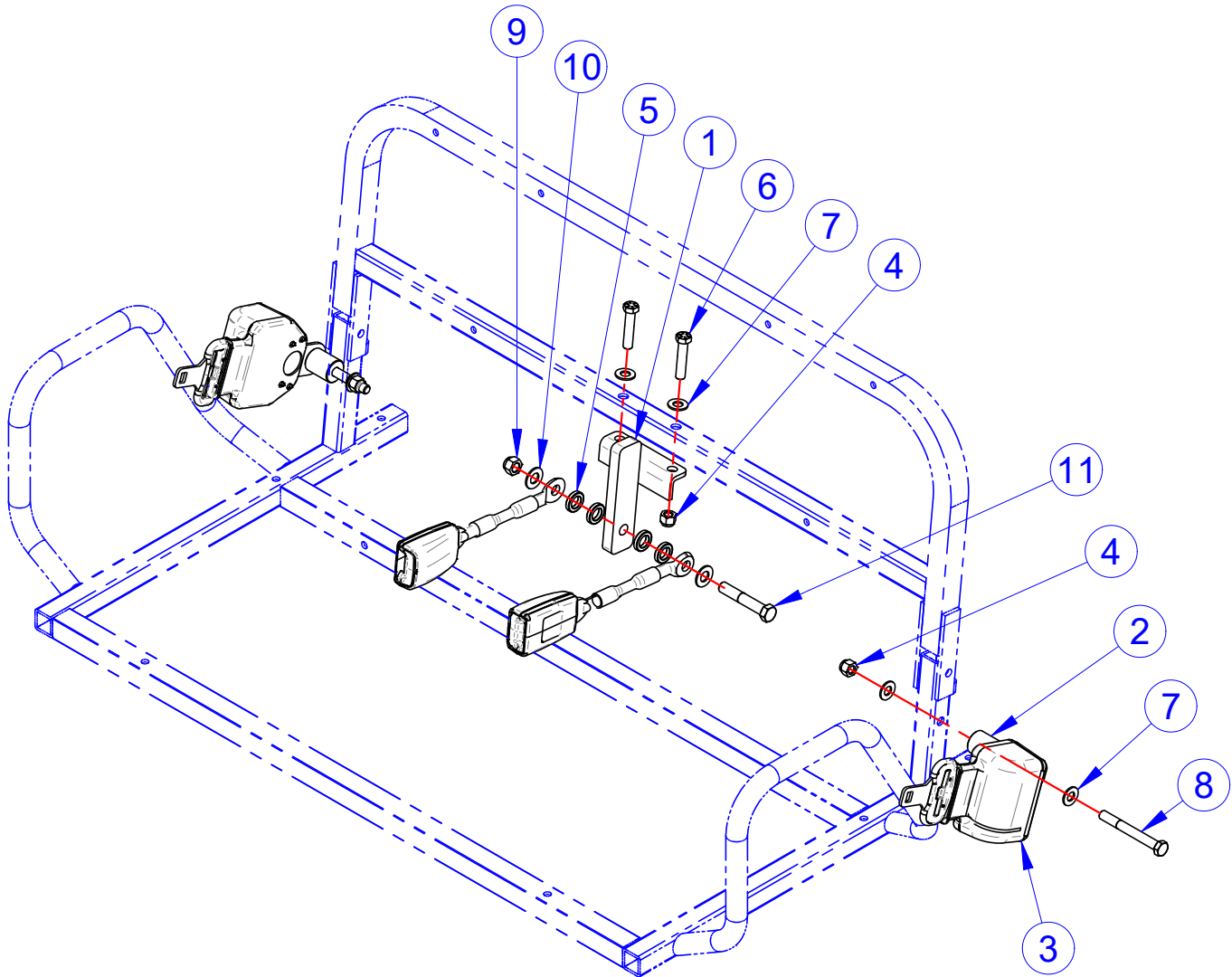
SEAT BELTS, TWO-POINT



ITEM	PART #	DESCRIPTION	QTY	REF #
1-4	190611U	P&A KIT, SEAT BELTS, 2-PT, PL	KIT	190611
1	781923	SEAT BELT, 2X48, 2-TTH ALR, H2, CABLE	2	781923
2	782751	NUT, 7/16-20, L/N, NYL, NE, G8, MAGNI 525	4	782751
3	782752	WSHR, 7/16 (M11), FW, SAE, G8, ECO	8	782752
4	782755	SCR, 7/16-20 X 1.25, HHCS, G8, MAGNI 525	4	782755

NOTE: Items with * in tables indicates parts not shown in drawing

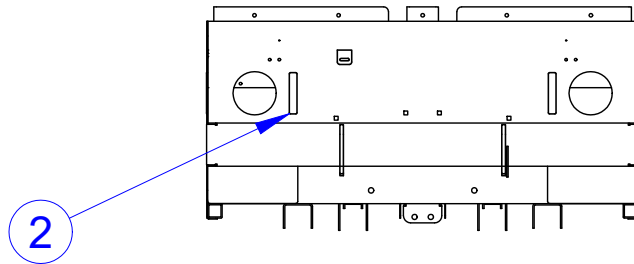
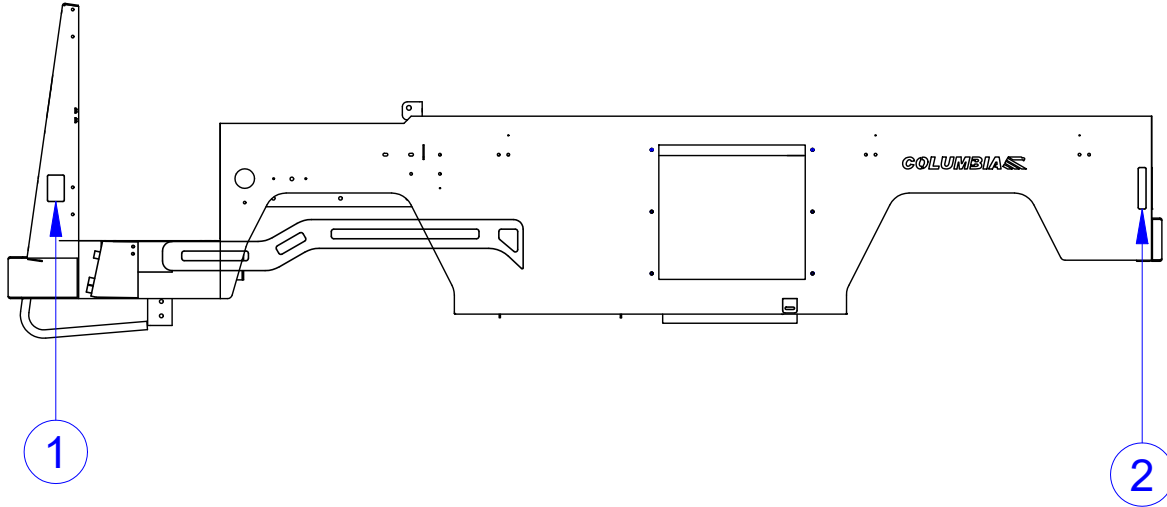
SEAT BELTS, SECOND-ROW SEAT



ITEM	PART #	DESCRIPTION	QTY	REF #
1	306478	WELDMENT, BRACKET, SEATBELT	1	306478
2	510324	CPC SPCR	2	510324
3	781923	SEAT BELT, 2X48, 2-TTH ALR, H2, CABLE	2	781923
4	782118	NUT, 3/8-16, L/N, NYL, NE, G8, MAGNI525	4	782118
5	782300	SPACER, .875X.531X.187	4	782300
6	782651	SCREW, 3/8-16X1-3/4, HHCS, G8, MAGNI525	2	782651
7	782740	WSHR, 3/8(M10), SAE, F/W, G8, MAGNI525	6	782740
8	782743	SCR, 3/8-16 X 3.25, HHCS, G8, MAGNI 525	2	782743
9	782751	NUT, 7/16-20, L/N, NYL, NE, G8, MAGNI 525	1	782751
10	782752	WSHR, 7/16 (M11), FW, SAE, G8, ECO	2	782752
11	783151	SCR, 7/16-20 X 2.5, HCS, G8, ECO	1	783151

NOTE: Items with * in tables indicates parts not shown in drawing

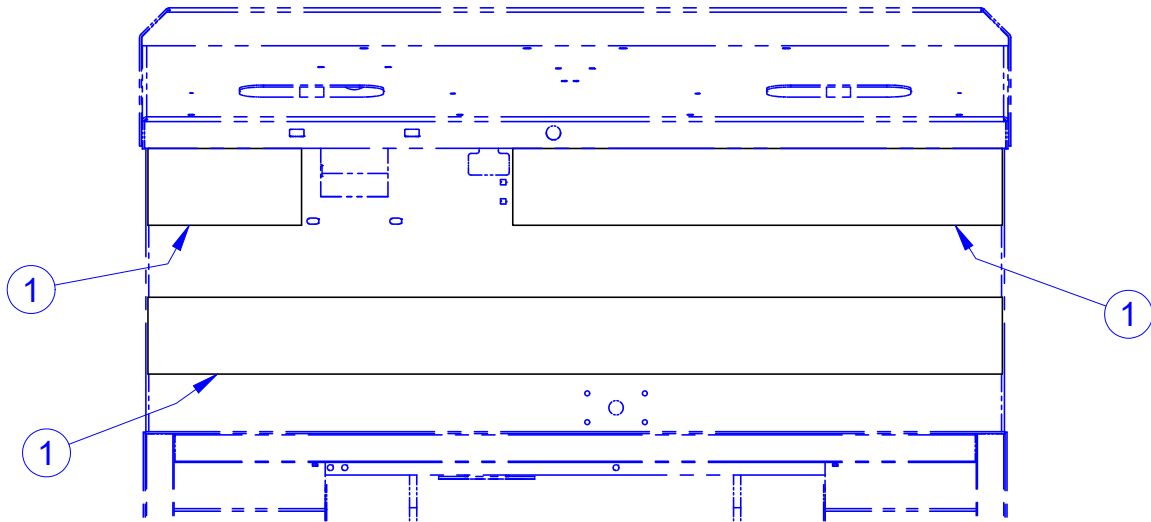
REFLECTORS



ITEM	PART #	DESCRIPTION	QTY	REF #
1	719336	REFLECTOR, AMBER, 2-3/4"X1-3/4"	2	719336
2	719337	REFLECTOR, RED, 4-5/16"X13/16"	4	719337

NOTE: Items with * in tables indicates parts not shown in drawing

GRIP MAT



ITEM	PART #	DESCRIPTION	QTY	REF #
1	709933	MAT, ANTI-SLIP GRIP	6.5	709933

NOTE: Items with * in tables indicates parts not shown in drawing



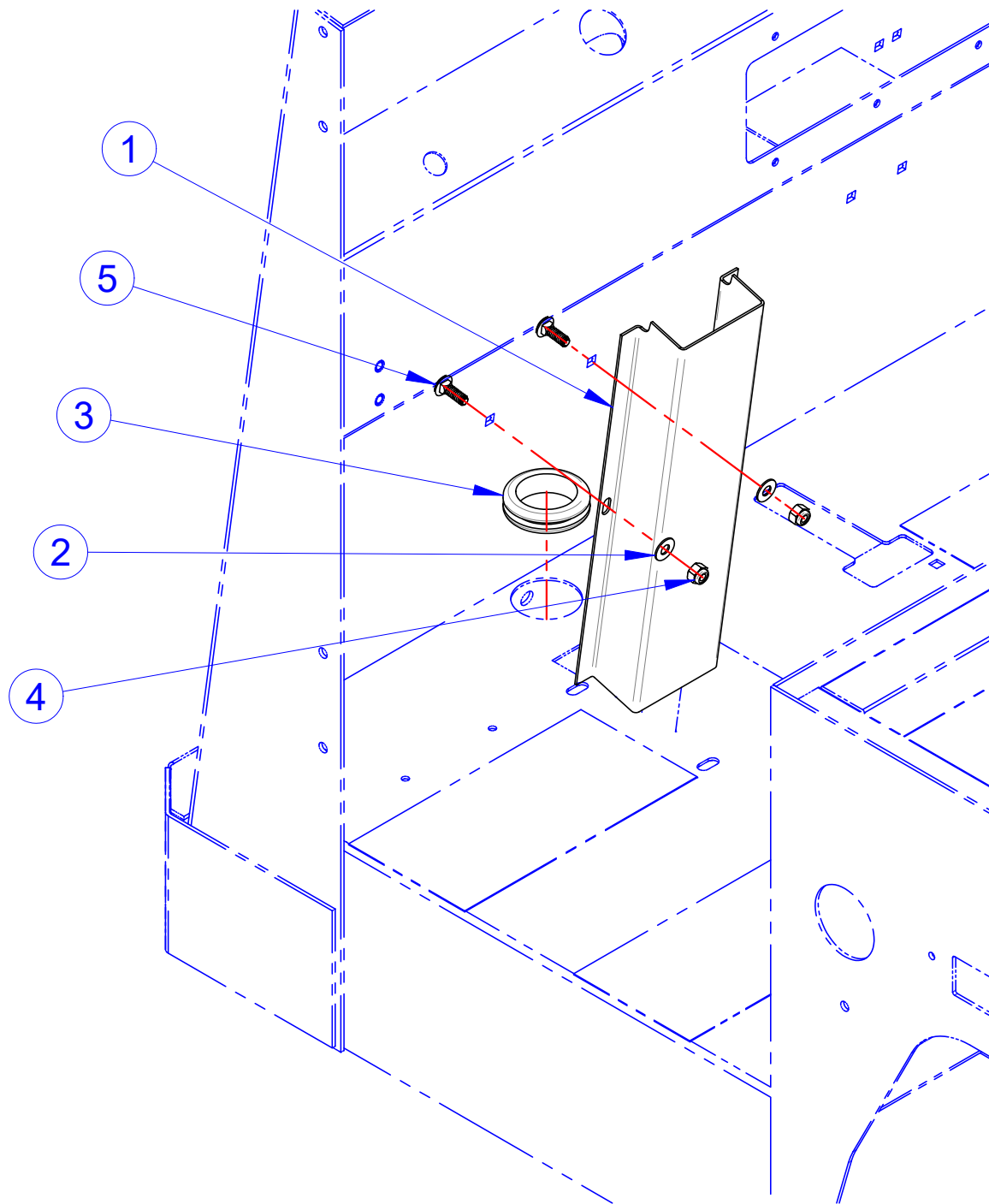
COLUMBIA

PAYLOADER

PARTS MANUAL SECTION 6

ELECTRICAL

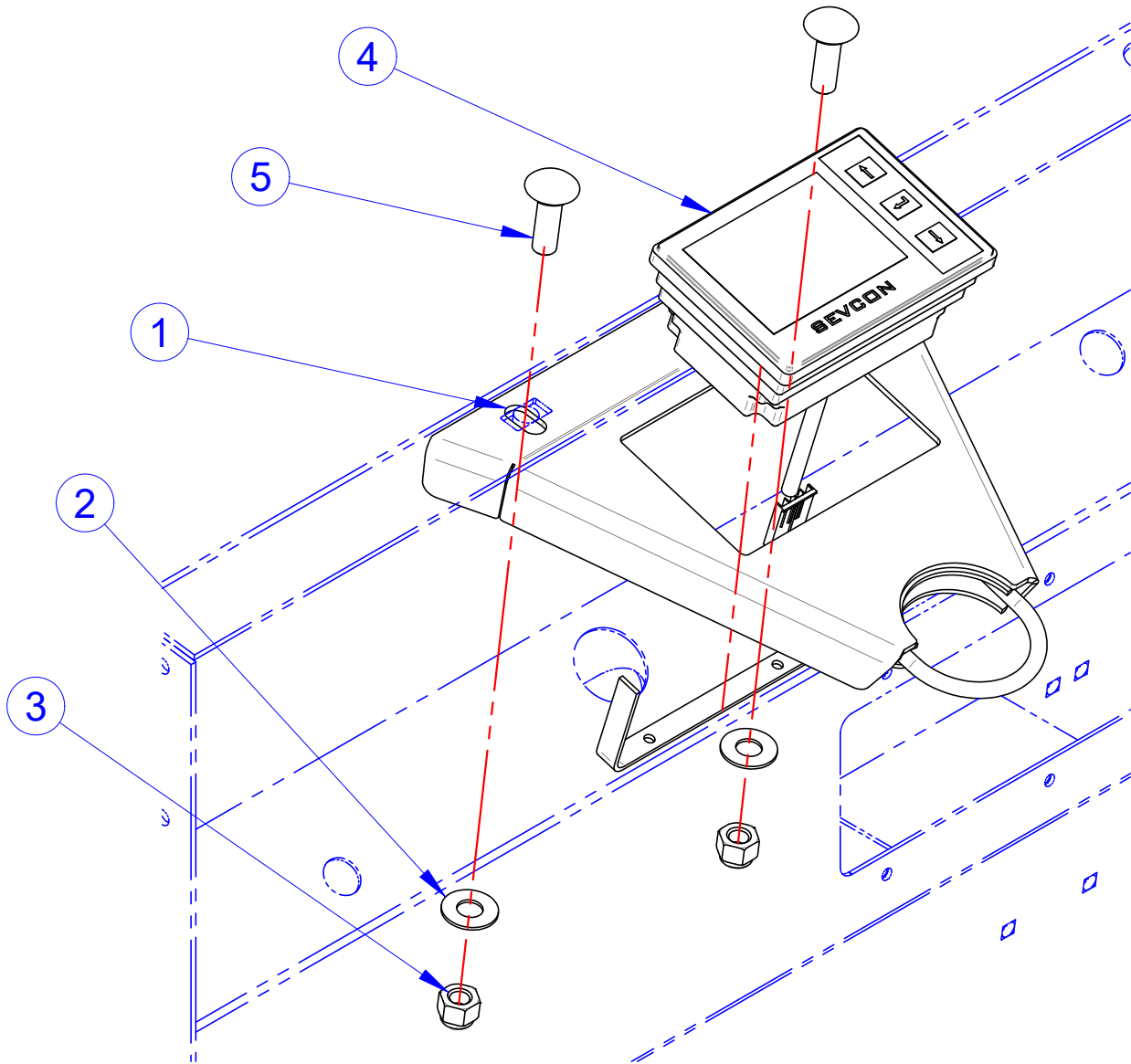
WIRING COVER



ITEM	PART #	DESCRIPTION	QTY	REF #
1	509505	COVER - COWL WIRING	1	509505
2	708511	WASHER, FLAT, 1/4", 18-8SS	2	708511
3	719523	GROMMET, 1-1/2"ID, 3/16"X1-3/4" HOLE	1	719523
4	719876	NUT, 1/4-20, L/N, NYL, NE, 316, S/S	2	719876
5	781739	SCR, 1/4-20 X 0.75, CARR, 18-8, S/S	2	781739

NOTE: Items with * in tables indicates parts not shown in drawing

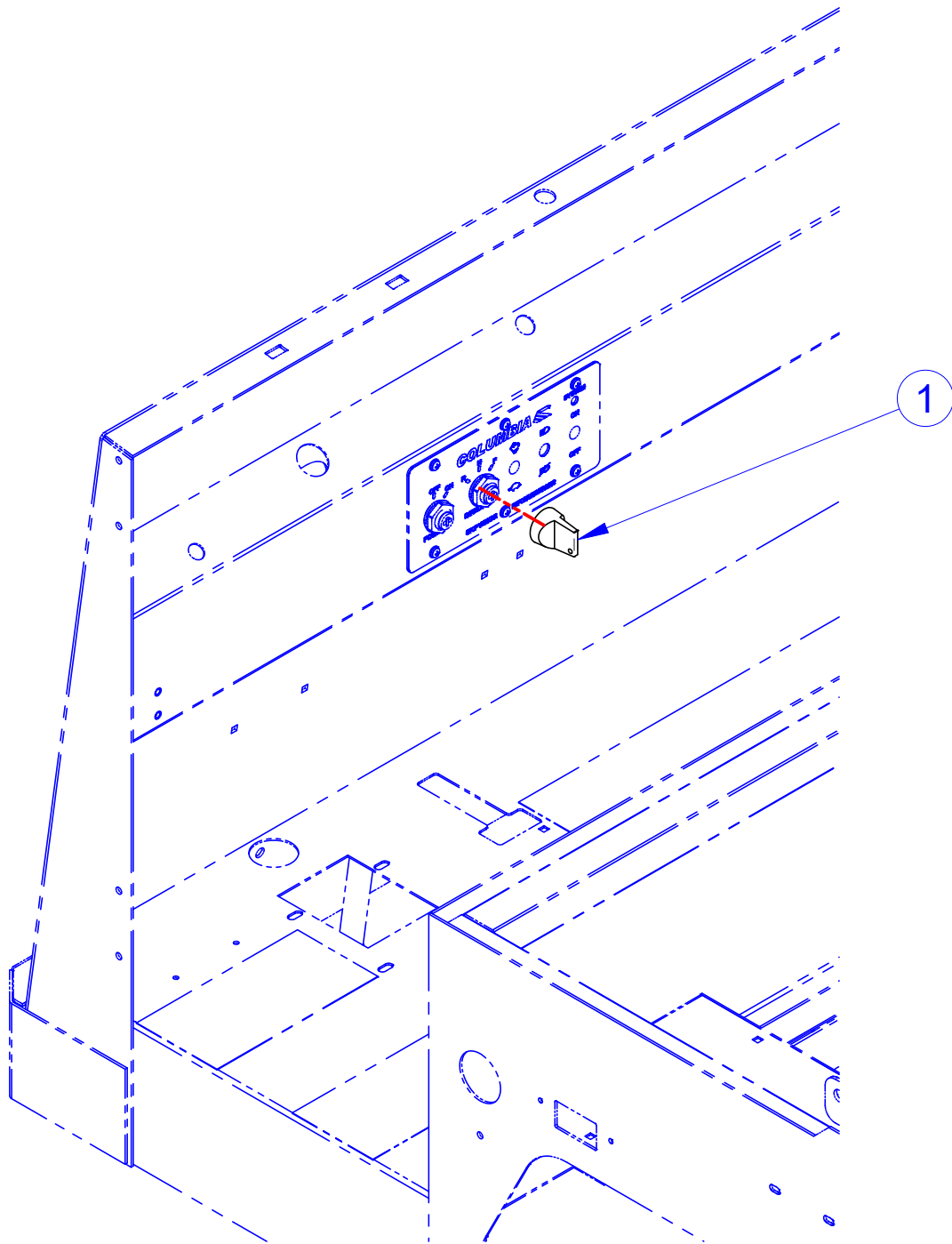
SPEEDOMETER



ITEM	PART #	DESCRIPTION	QTY	REF #
1	312189TB	WLDMNT, UPR STRG COL SUPRT, BC AC DRIVE	1	312189
2	708859	WASHER, 3/8, STD, FW, 18-8SS	2	708859
3	708860	NUT, 3/8-16, L/N, NYL, NE, 18-8, S/S	2	708860
4	468260	DISPLAY, CLEARVIEW, SEVCON	1	468260
5	782724	SCR, 3/8-16 X 1.25, CARR, 18-8, S/S	2	782724

NOTE: Items with * in tables indicates parts not shown in drawing

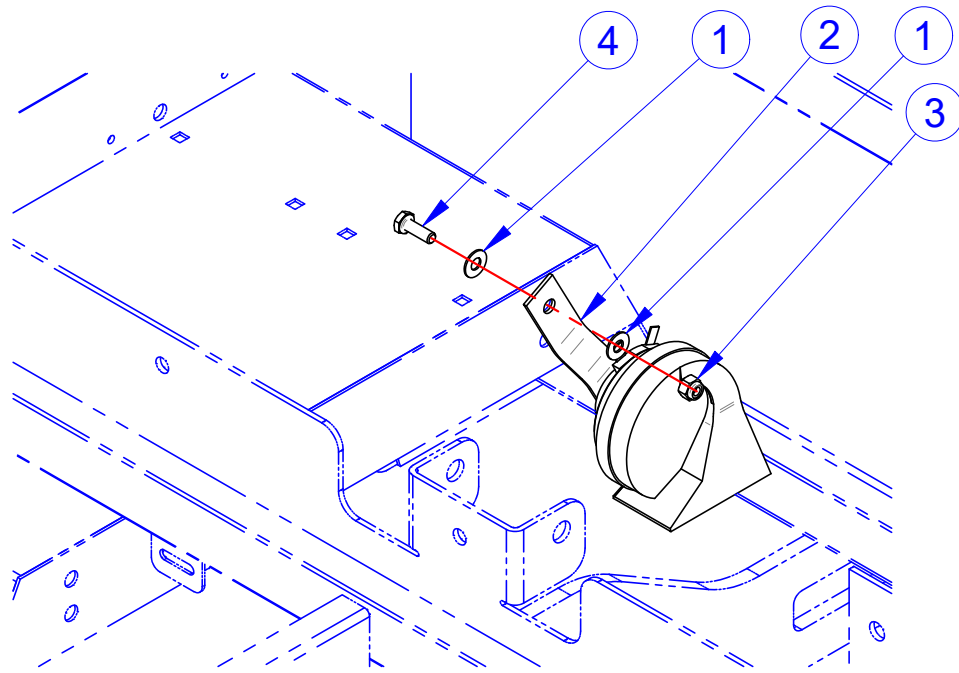
NON-REMOVABLE KEY, FWD / REV SWITCH



ITEM	PART #	DESCRIPTION	QTY	REF #
1	719432	ASSY, KEY, NON-REMOVABLE, W/COVER	1	719432

NOTE: Items with * in tables indicates parts not shown in drawing

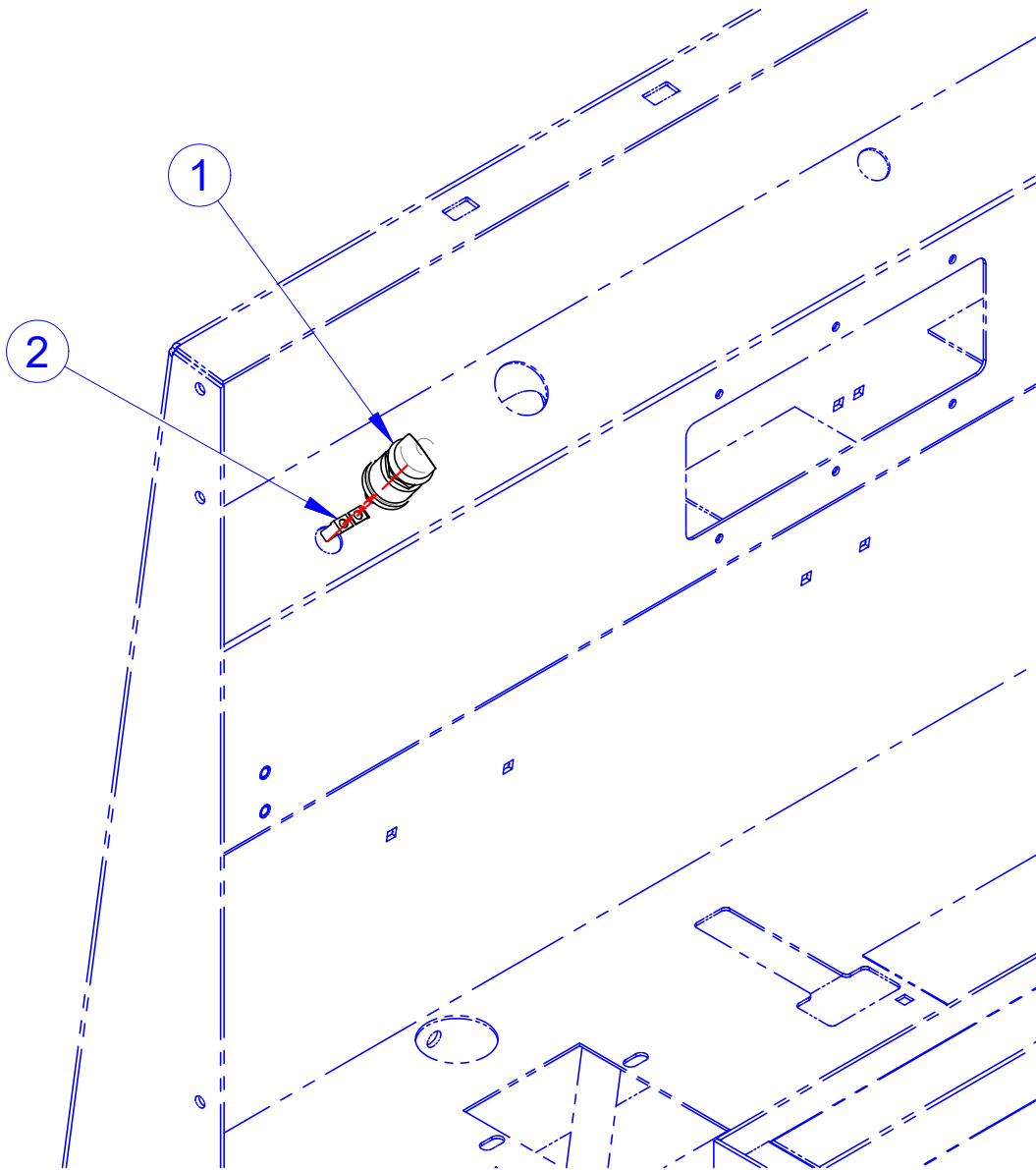
HORN



ITEM	PART #	DESCRIPTION	QTY	REF #
1	708511	WASHER, FLAT, 1/4", 18-8SS	2	708511
2	1017768	HORN, 12V, LOW TONE	1	1017768
3	719876	NUT, 1/4-20, L/N, NYL, NE, 316, S/S	1	719876
4	782784	SCREW, 1/4-20X3/4, HHCS, 18-8SS	1	782784

NOTE: Items with * in tables indicates parts not shown in drawing

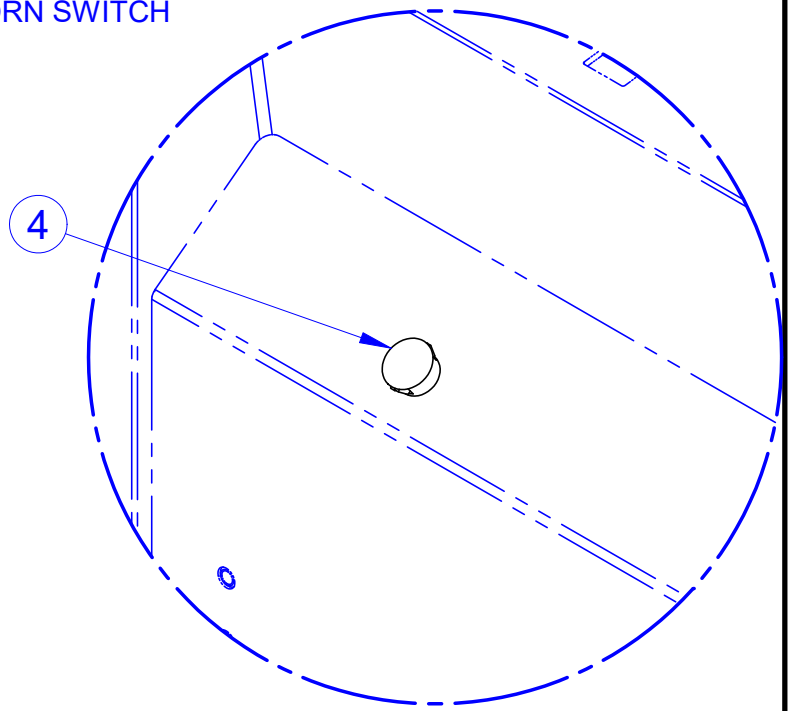
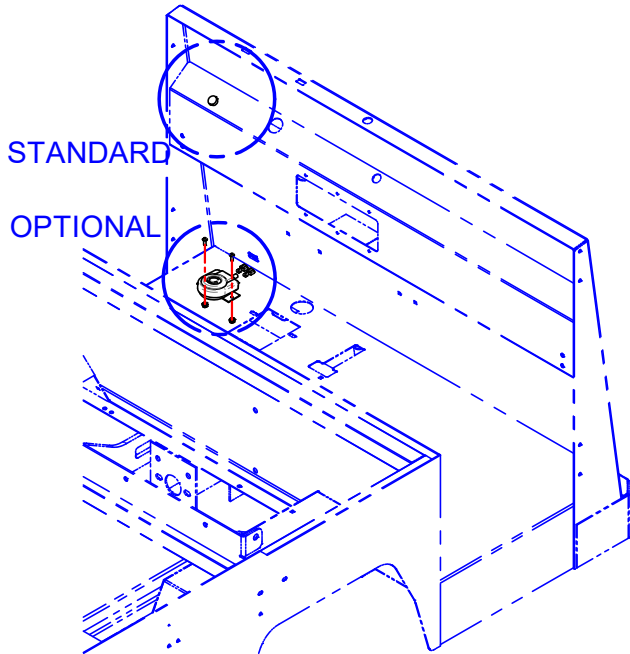
HORN SWITCH, DASH



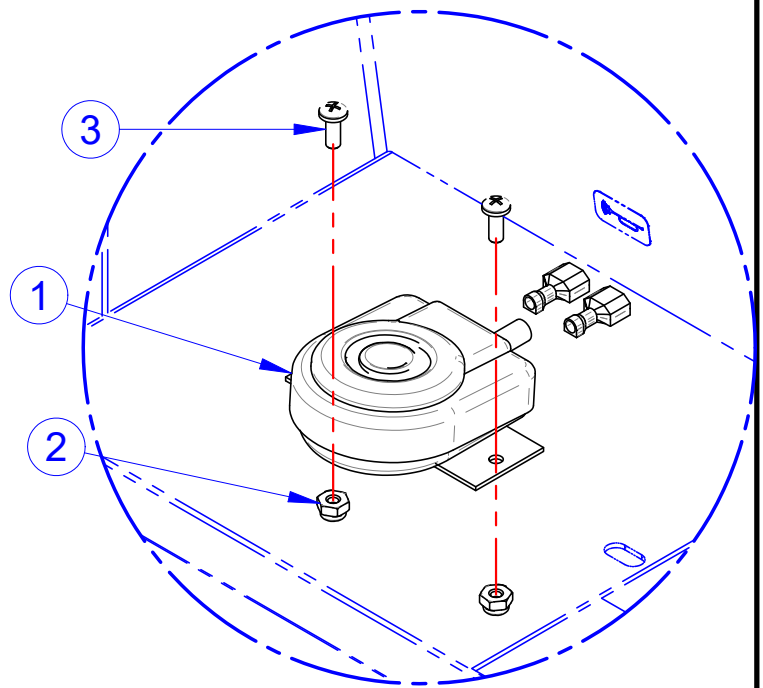
ITEM	PART #	DESCRIPTION	QTY	REF #
1	709385	HORN SWITCH	1	709385
2	719825	TERMINAL,#10 STUD-TO-1/4 MALE TAB	2	719825

NOTE: Items with * in tables indicates parts not shown in drawing

HORN SWITCH



STANDARD DETAIL

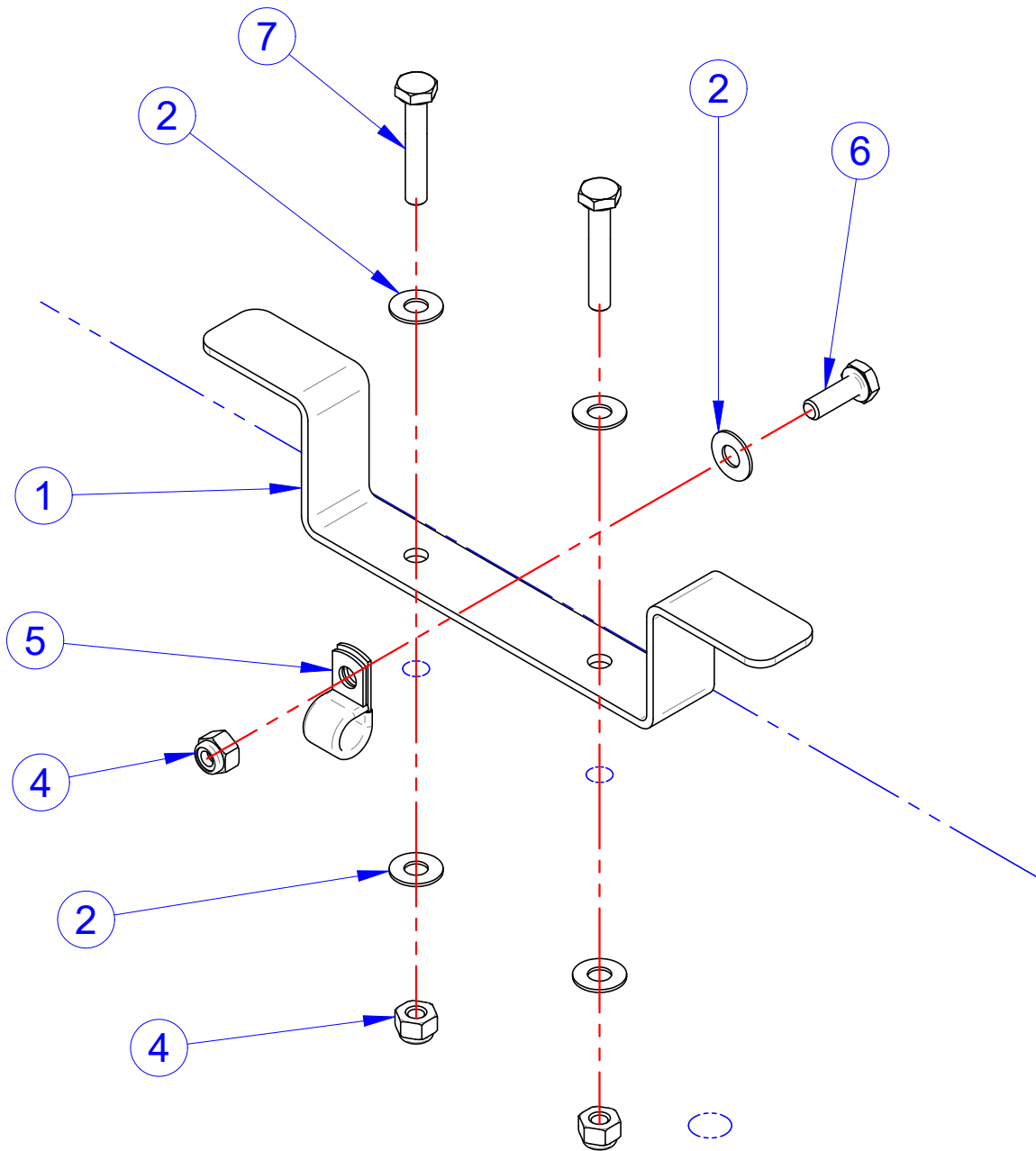


OPTIONAL DETAIL

ITEM	DESCRIPTION	QTY	REF #
1	468835 ASM, SWITCH, HORN, FLOOR MNT	1	468835
2	761631 NUT, #10-24 GRD 18-8 NM SS NYLOCK	2	761631
3	761632 SCREW, #10-24X1/2" PPH GRD 18-8 SS	2	761632
4	709385 AMS, SWITH, HORN, DASH MNT (STANDARD)	1	709385
	782140 PLUG, .625 DOME, BLACK NYLON	1	782140

NOTE: Items with * in tables indicates parts not shown in drawing

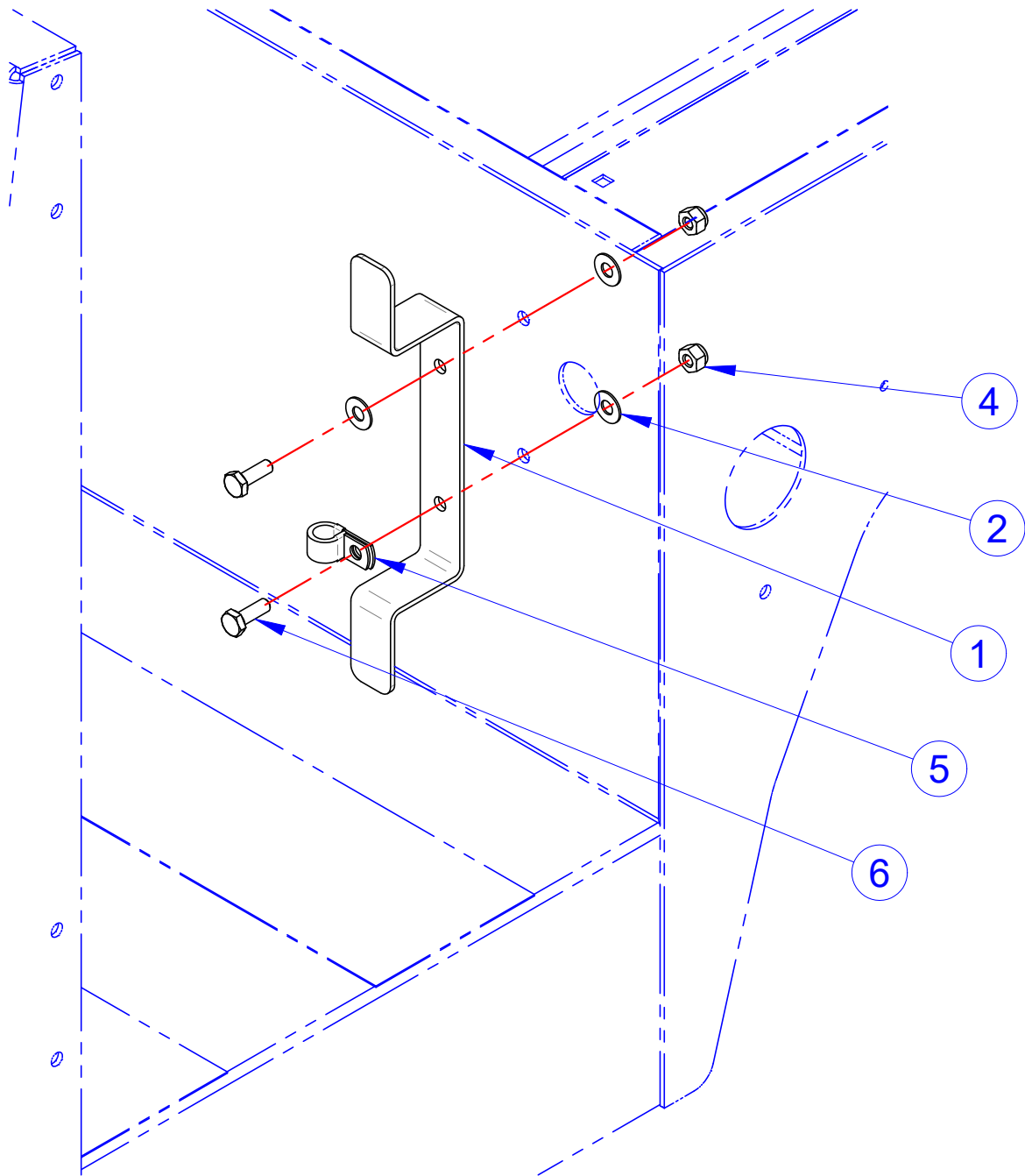
CHARGER CORD WITH CLEAT



ITEM	PART #	DESCRIPTION	QTY	REF #
1	511253	CORD CLEAT	1	511253
2	708511	WASHER, FLAT, 1/4", 18-8SS	5	708511
3*	1020620	CHARGER EXT CORD, 9', LIGHTED	1	1020620
4	719876	NUT, 1/4-20, L/N, NYL, NE, 316, S/S	3	719876
5	761186	CLAMP, 7/16", STEEL TUBE, VINYL CUSH	1	761186
6	782784	SCREW, 1/4-20X3/4, HHCS, 18-8SS	1	782784
7	782792	SCREW, 1/4-20 X 1 1/2" HEX CAP SS 18-S	2	782792

NOTE: Items with * in tables indicates parts not shown in drawing

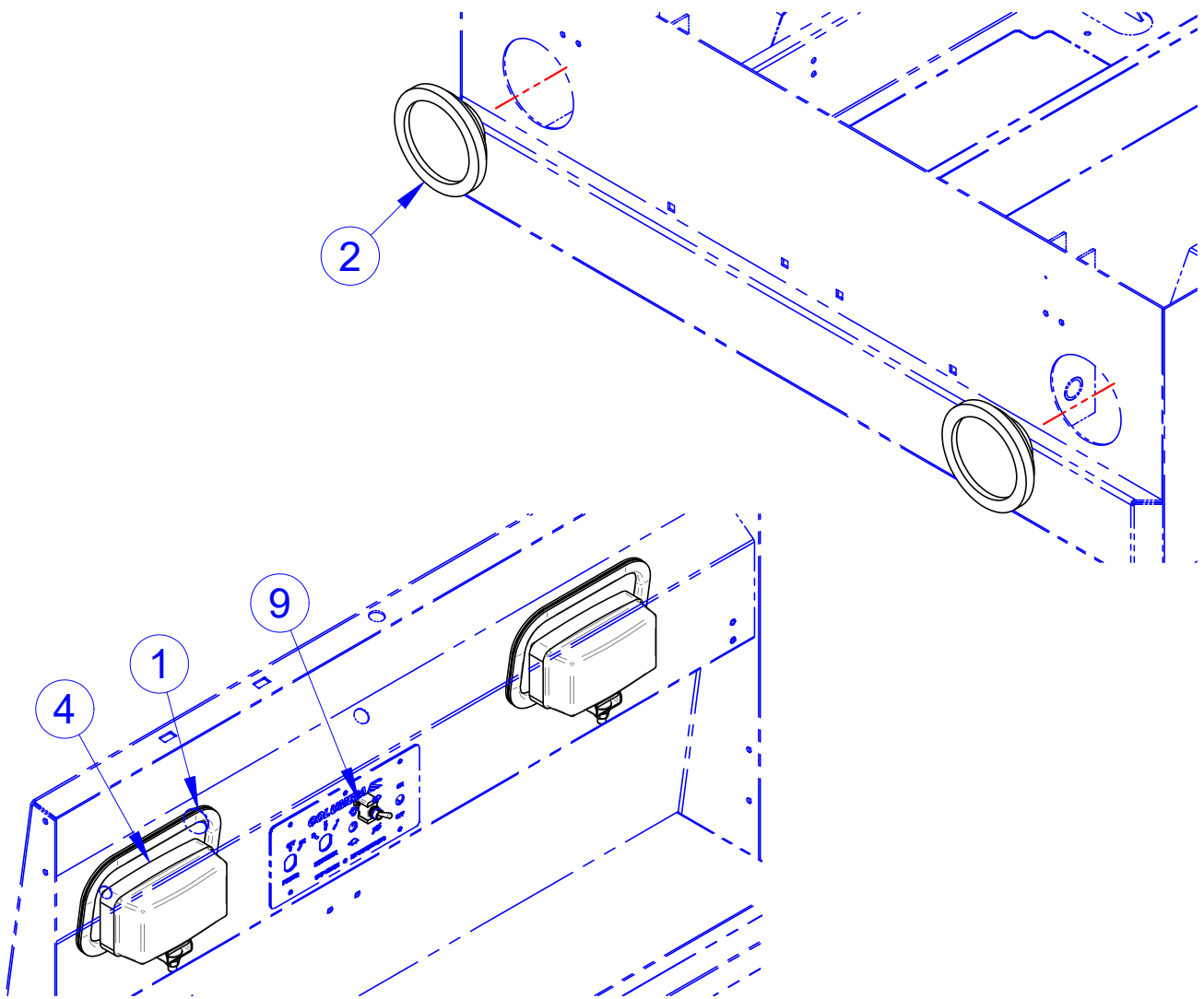
CHARGER CORD WITH CLEAT



ITEM	PART #	DESCRIPTION	QTY	REF #
1	511253	CORD CLEAT	1	511253
2	708511	WASHER, FLAT, 1/4", 18-8SS	3	708511
3*	1020620	CHARGER EXT CORD, 9', LIGHTED	1	1020620
4	719876	NUT, 1/4-20, L/N, NYL, NE, 316, S/S	2	719876
5	761186	CLAMP, 7/16", STEEL TUBE, VINYL CUSH	1	761186
6	782784	SCREW, 1/4-20X3/4, HHCS, 18-8SS	2	782784

NOTE: Items with * in tables indicates parts not shown in drawing

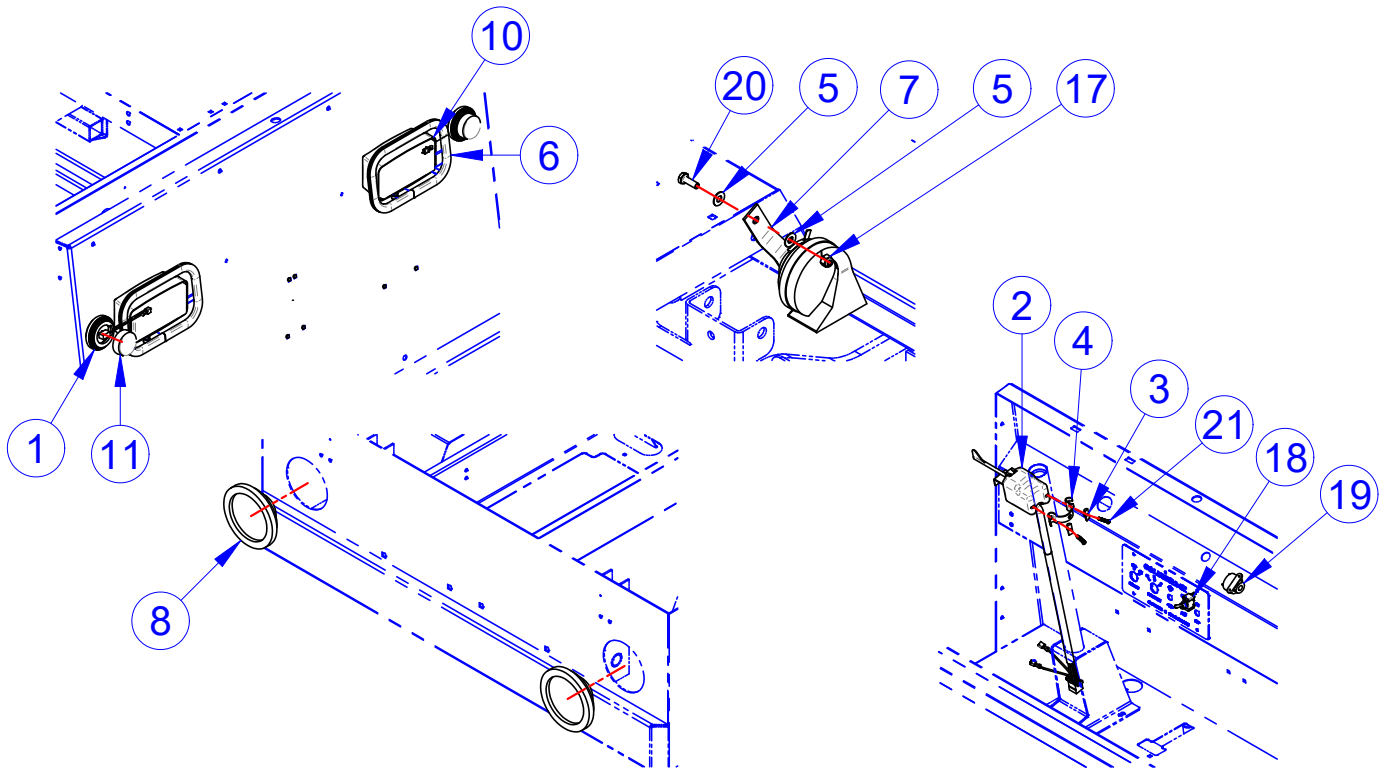
LIGHTS



ITEM	PART #	DESCRIPTION	QTY	REF #
1	709013	TRIM, PINCH WELT, 3/32", BLK	1	709013
2	709109	4"RND TAIL LAMP ASSY W/PLUG, SEAL	2	709109
3*	1043875	HARNESS, 12V ACCY, PL	1	1043875
4	709389	HEADLIGHT	2	709389
5*	709861	WIRE HARNESS, TURN SIGNL BYPASS PLUG	1	709861
6*	719502	CABLE TIE, BLACK 4"	1	719502
7*	719503	CABLE TIE MNT BRKT BLACK W/3M	2	719503
8*	719504	CABLE TIE, BLACK, .18X11-3/4, STD, 50LB	1	719504
9	760600	SWITCH, TOGGLE, LIGHTS ON-OFF	1	760600

NOTE: Items with * in tables indicates parts not shown in drawing

DELUXE LIGHTS & HORN

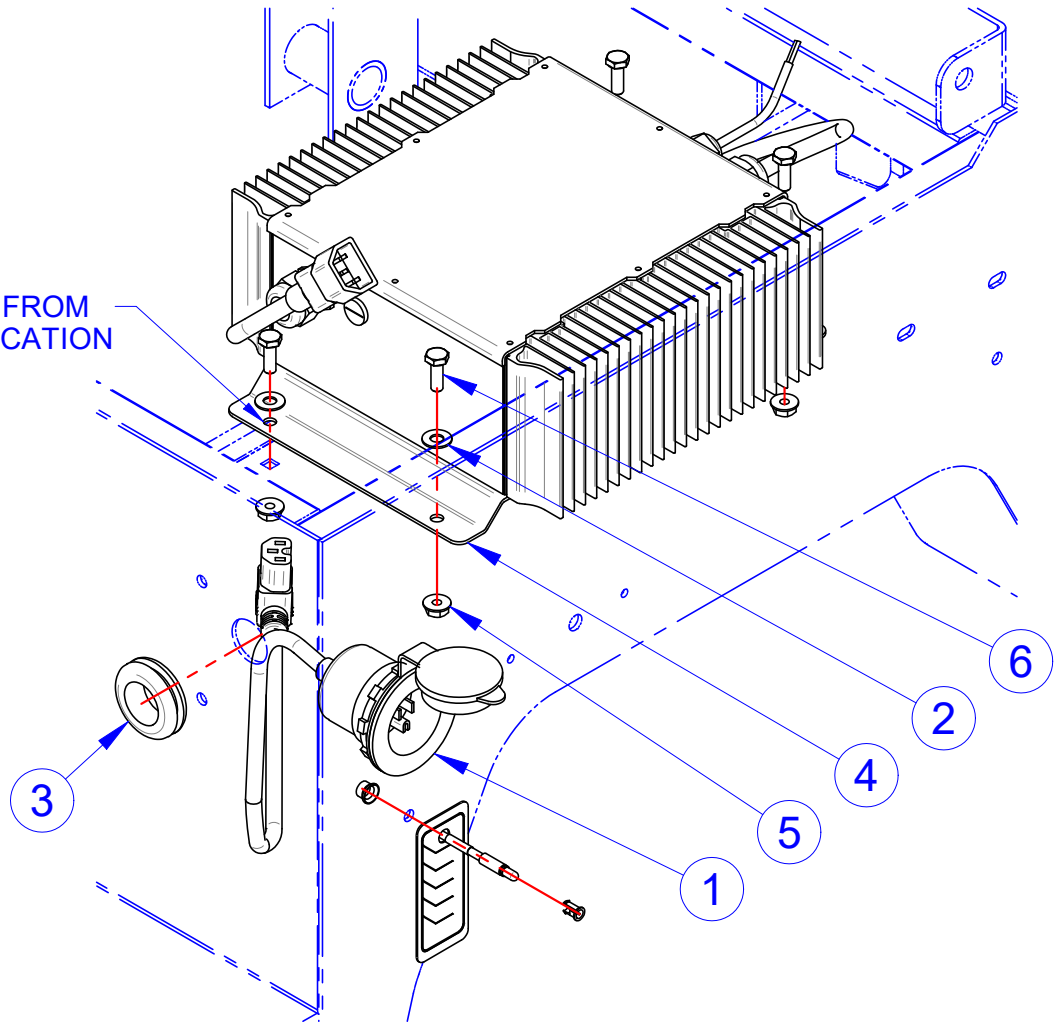


ITEM	PART #	DESCRIPTION	QTY	REF #
1	463979	ASM, TRN LT PIGTAIL W/GROMMET	2	463979
2	467279	ASSY, TURN SWITCH, NO GROMMET	1	467279
3	467385	PAINTED ROCKER, TURN SWITCH BRACKET	2	467385
4	513705	TURN SWITCH BRACKET	1	513705
5	708511	WASHER, FLAT, 1/4", 18-8SS	2	708511
6	709013	TRIM, PINCH WELT, 3/32", BLK	3.75	709013
7	1017768	HORN, 12V, LOW TONE	1	1017768
8	709109	4"RND TAIL LAMP ASSY W/PLUG, SEAL	2	709109
9*	1043875	HARNESS, 12V ACCY, PL	1	1043875
10	709389	HEADLIGHT	2	709389
11	709488	LIGHT, 2" AMBER	2	709488
12*	709783	FOAM TAPE, 1/8 X 1	0.42	709783
13*	719366	FLASHER, LED LIGHTS	1	719366
14*	719502	CABLE TIE, BLACK 4"	7	719502
15*	719503	CABLE TIE MNT BRKT BLACK W/3M	2	719503
16*	719504	CABLE TIE, BLACK, .18X11-3/4, STD, 50LB	6	719504
17	719876	NUT, 1/4-20, L/N, NYL, NE, 316, S/S	1	719876
18	760600	SWITCH, TOGGLE, LIGHTS ON-OFF	1	760600
19	761720	BUZZER, REVERSE, CONT	1	761720
20	782784	SCREW, 1/4-20X3/4, HHCS, 18-8SS	1	782784
21	783106	SCR, #8-32 X 1, 6FMS, 18-8, SS	2	783106

NOTE: Items with * in tables indicates parts not shown in drawing

DELTA-Q CHARGER

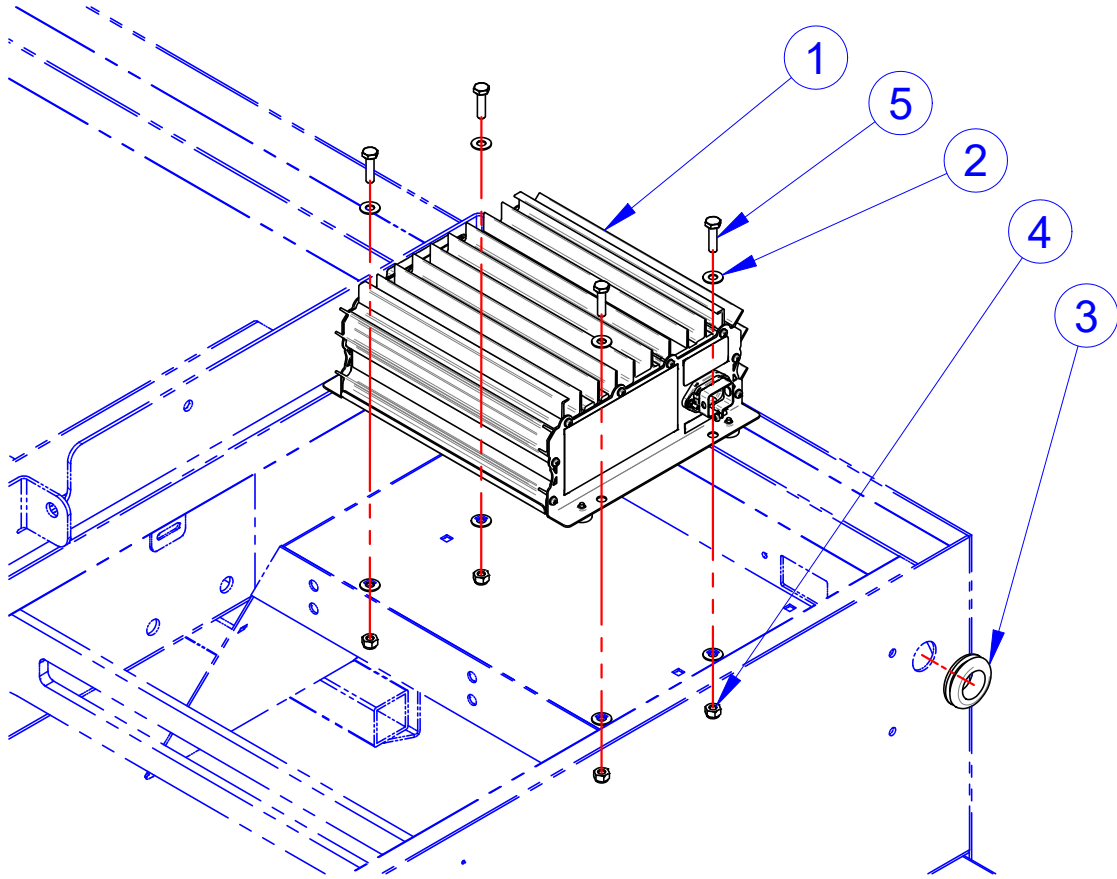
USE HARDWARE FROM HORN IN THIS LOCATION



ITEM	PART #	DESCRIPTION	QTY	REF #
1	468176	ASM, CHARGER CORD, 90 DEG PLUG	1	468176
2	708511	WASHER, FLAT, 1/4", 18-8SS	4	708511
3	719524	GROMMET, 1.00"IDX1.75"ODX.56", RUBBER	1	719524
4	467839	PROG ALG42 48V CHARGER, 8AGC2	1	467839
	468055	PROG, ALG 42, 36V, CHARGER,	1	468055
	760742	CHARGER, DELTA-Q, 48V SEALED W/ LED	1	760742
	760743	DELTA-Q CHARGER 36V	1	760743
	760742	CHARGER, DELTA Q - 48V SEALED, W/LED	1	760742
	760743	CHARGER, DELTA-Q, 36V SEALED, W/LED	1	760743
5	761637	NUT, 1/4-20, SERRATED FLANGE, 18-8 SS	4	761637
6	782784	SCREW, 1/4-20X3/4, HHCS, 18-8SS	4	782784

NOTE: Items with * in tables indicates parts not shown in drawing

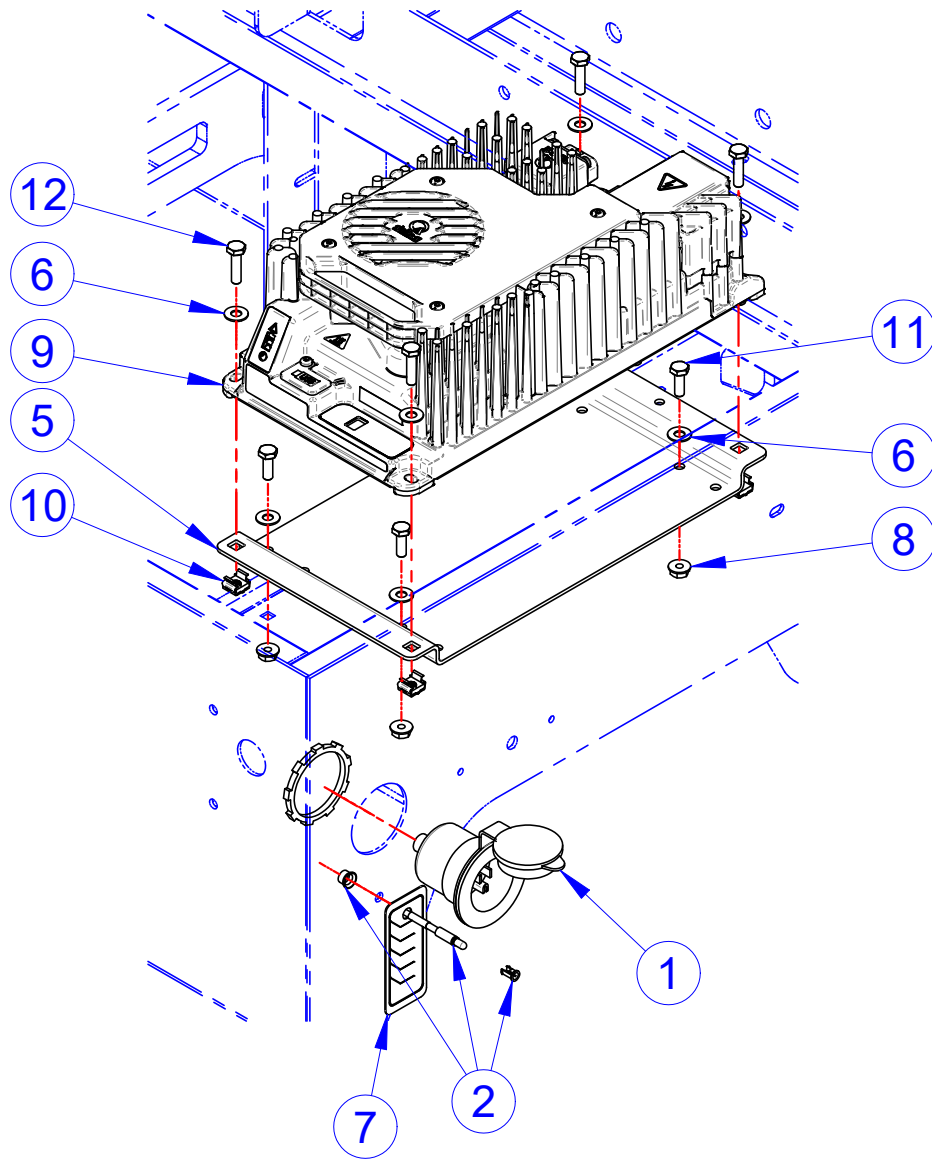
CHARGER



ITEM	PART #	DESCRIPTION	QTY	REF #
1	1017765	CHARGER, 24-48V, 1050W, S2V2	1	1017765
2	708511	WASHER, FLAT, 1/4", 18-8SS	8	708511
3	719524	GROMMET, 1.00"IDX1.75"ODX.56", RUBBER	1	719524
4	719876	NUT, 1/4-20, L/N, NYL, NE, 316, S/S	4	719876
5	782785	SCREW, 1/4-20X1.0, HHCS, 18-8SS	4	782785

NOTE: Items with * in tables indicates parts not shown in drawing

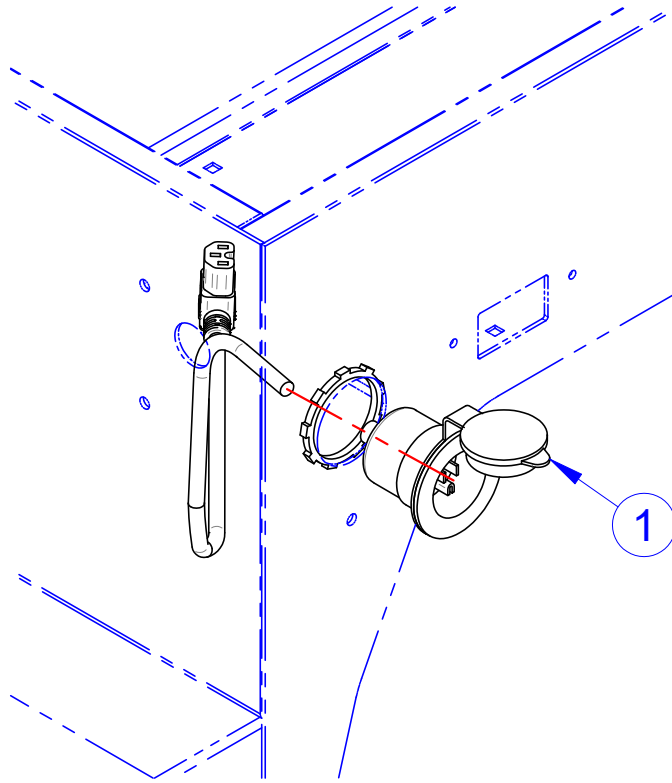
48V CHARGER



ITEM	PART #	DESCRIPTION	QTY	REF #
1	467405	ASSY, CHARGER CORD W/ RECEPT	1	467405
2	468250	ASM, LED, IC1200 REMOTE	1	468250
3*	468251	HARNASS, BATTERY, IC1200, BC	1	468251
4*	468252	HARNASS, INTERLOCK, IC1200, BC	1	468252
5	517755	BRKT, BC IC1200 CHGR	1	517755
6	708511	WASHER, FLAT, 1/4", 18-8SS	8	708511
7	760754	LABEL, CHARGER LED	1	760754
8	761637	NUT, 1/4-20, SERRATED FLANGE, 18-8 SS	4	761637
9	761717	CHARGER, DELTA-Q, 48V, IC1200	1	761717
10	782339	NUT, 1/4-20, CAGE, 0.093-0.126, MAGNI 525	4	782339
11	782784	SCREW, 1/4-20X3/4, HHCS, 18-8SS	4	782784
12	782785	SCREW, 1/4-20X1.0, HHCS, 18-8SS	4	782785

NOTE: Items with * in tables indicates parts not shown in drawing

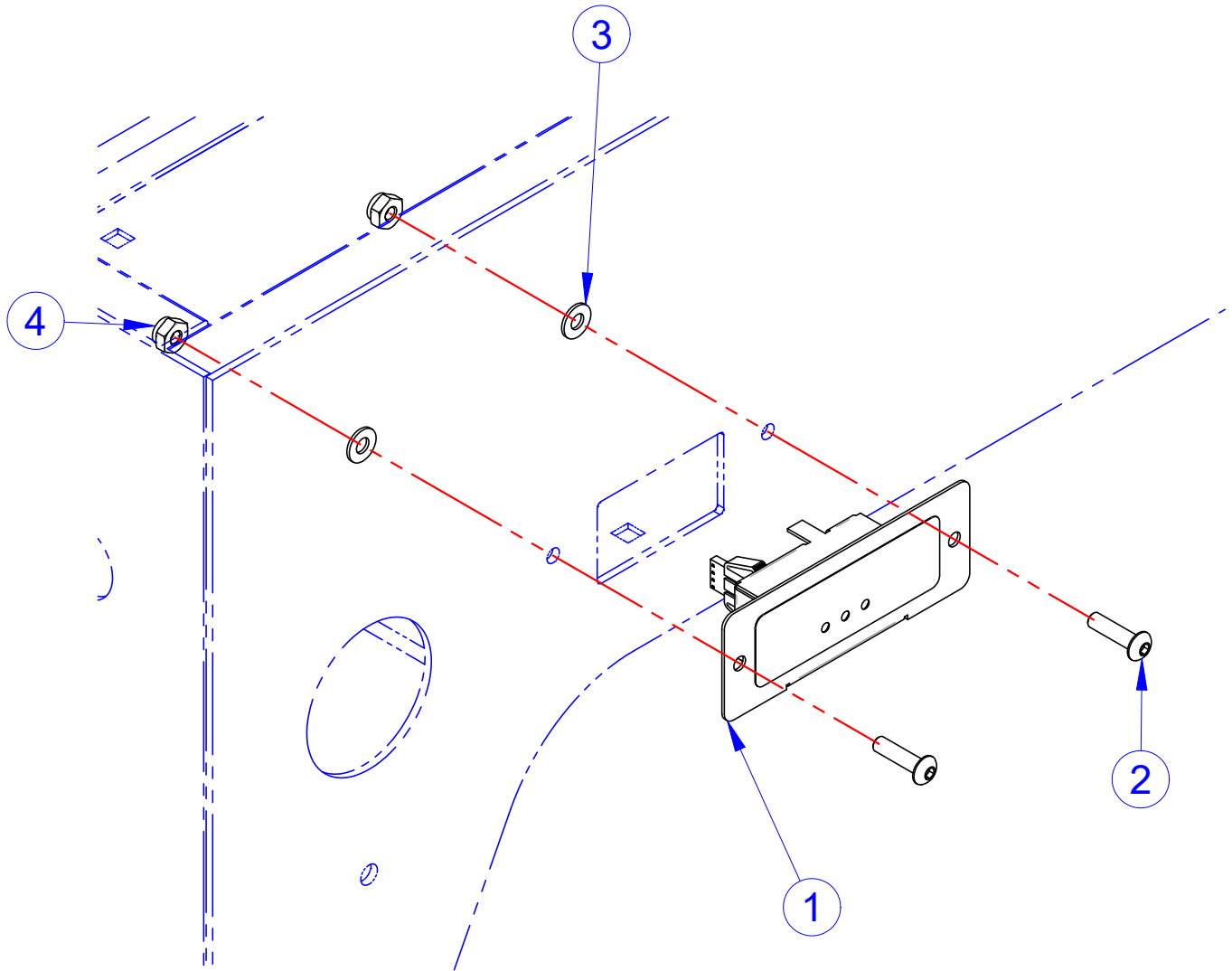
CHARGER PLUG



ITEM	PART #	DESCRIPTION	QTY	REF #
1	468176	ASM, CHARGER CORD, 90 DEG PLUG	1	468176

NOTE: Items with * in tables indicates parts not shown in drawing

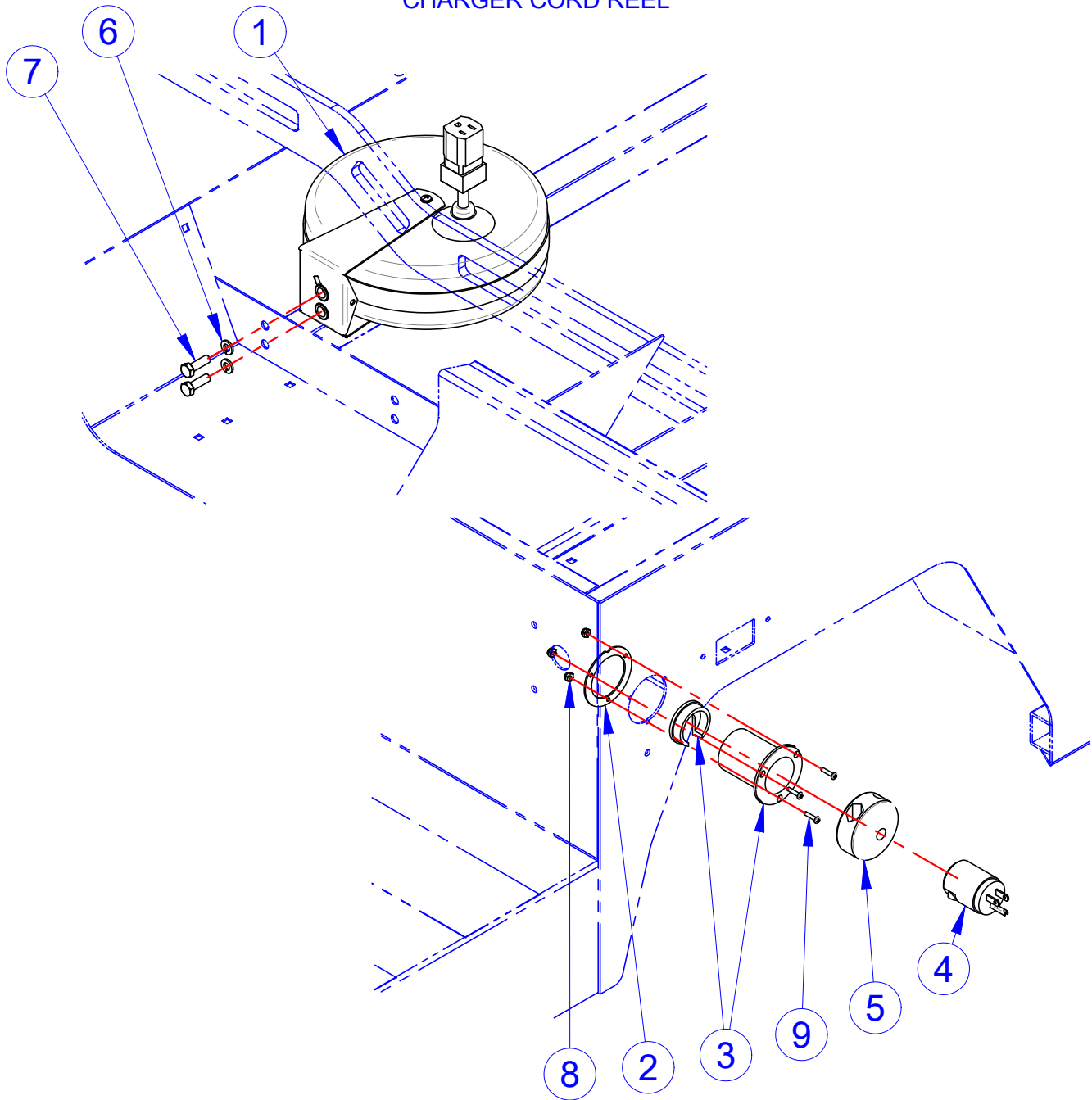
CHARGER DISPLAY



ITEM	PART #	DESCRIPTION	QTY	REF #
1	1031553	DISPLAY, LESTER SUMMIT SEIRIES 2 V1	1	1031553
2	782708	SCR, #10-32 X 0.75, BSHCS, 18-8, S/S	2	782708
3	782722	WSHR, #10 X 0.438 X 0.031, F/W, 18-8SS	2	782722
4	782723	NUT, #10-32, L/N, NYL, NM, 18-8, S/S	2	782723

NOTE: Items with * in tables indicates parts not shown in drawing

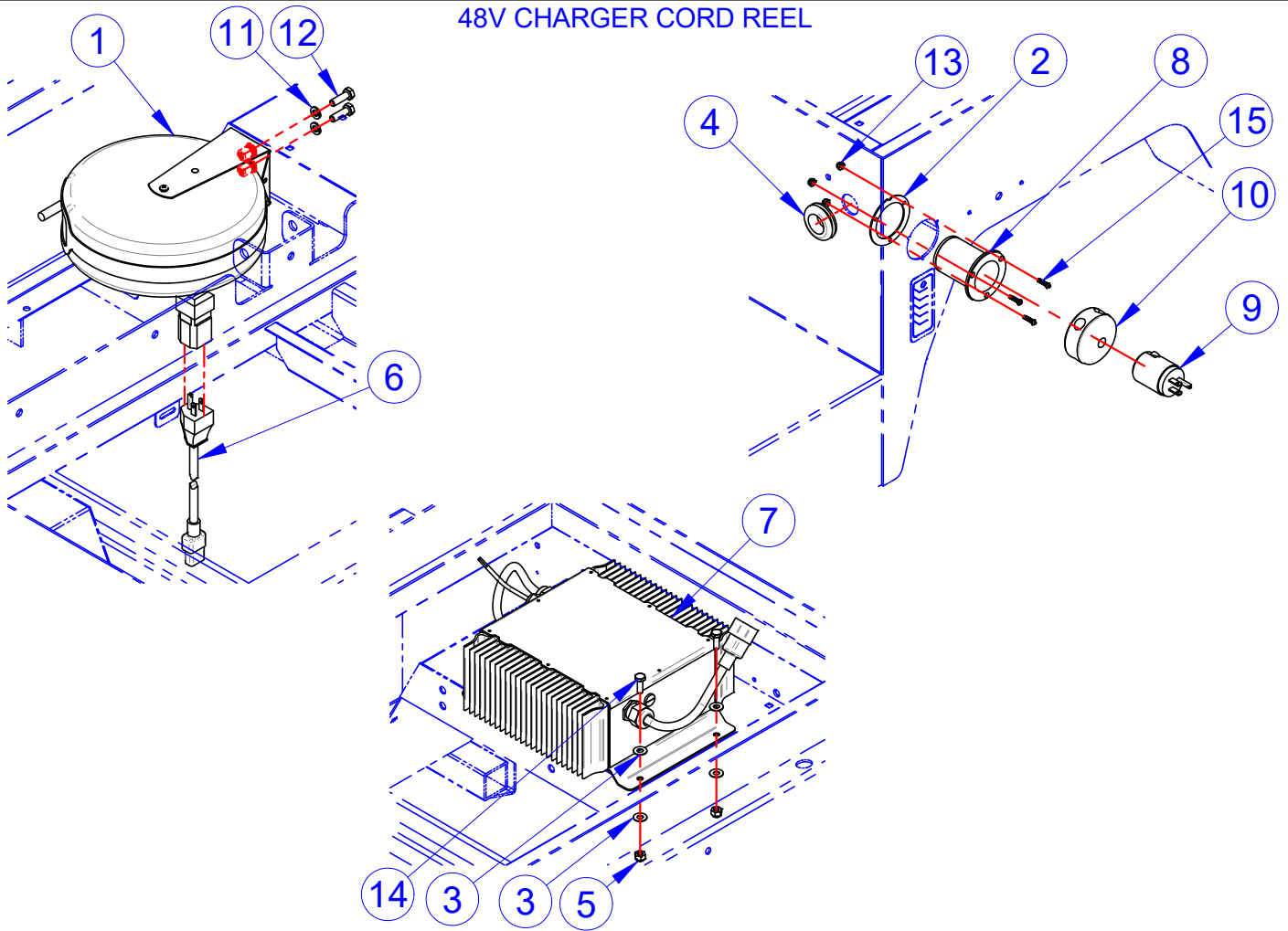
CHARGER CORD REEL



ITEM	PART #	DESCRIPTION	QTY	REF #
1	468080	ASSY, CORD REEL	1	468080
2	516497	PLATE, BACKING, PLUG HOLDER	1	516497
3	761237	PLUG HOLDER	1	761237
4	761239	PLUG, MALE, 15A	1	761239
5	761259	STOP, CORD REEL	1	761259
6	781621	WSHR, 5/16, L/W, SPLIT, 18-8, S/S	2	781621
7	782720	SCR, 5/16-18 X 1, HHCS, 18-8, S/S	2	782720
8	782738	NUT, #6-32, L/N, NYL, NM, 18-8, S/S	3	782738
9	782816	SCREW, #6-32X5/8, PPHMS, 18-8 SS	3	782816

NOTE: Items with * in tables indicates parts not shown in drawing

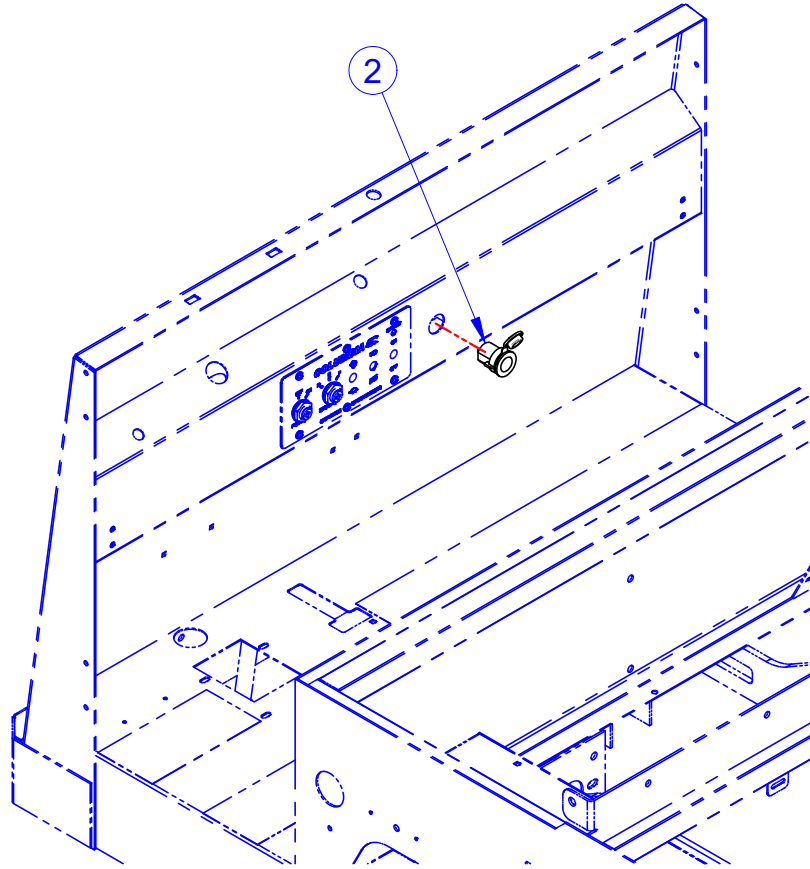
48V CHARGER CORD REEL



ITEM	PART #	DESCRIPTION	QTY	REF #
1	468080	ASSY, CORD REEL	1	468080
2	516497	PLATE, BACKING, PLUG HOLDER	1	516497
3	708511	WASHER, FLAT, 1/4", 18-8SS	8	708511
4	719524	GROMMET, 1.00"IDX1.75"ODX.56", RUBBER	1	719524
5	719876	NUT, 1/4-20, L/N, NYL, NE, 316, S/S	4	719876
6	1049477	CHARGER CORD, 6.5FT, 14/3	1	1049477
7	760742	CHARGER, DELTA Q - 48V SEALED, W/LED	1	760742
8	761237	PLUG HOLDER	1	761237
9	761239	PLUG, MALE, 15A	1	761239
10	761259	STOP, CORD REEL	1	761259
11	781621	WSHR, 5/16, L/W, SPLIT, 18-8, S/S	2	781621
12	782720	SCR, 5/16-18 X 1, HHCS, 18-8, S/S	2	782720
13	782738	NUT, #6-32, L/N, NYL, NM, 18-8, S/S	3	782738
14	782784	SCREW, 1/4-20X3/4, HHCS, 18-8SS	4	782784
15	782816	SCREW, 6-32X5/8, PPHMS, 18-8 SS	3	782816

NOTE: Items with * in tables indicates parts not shown in drawing

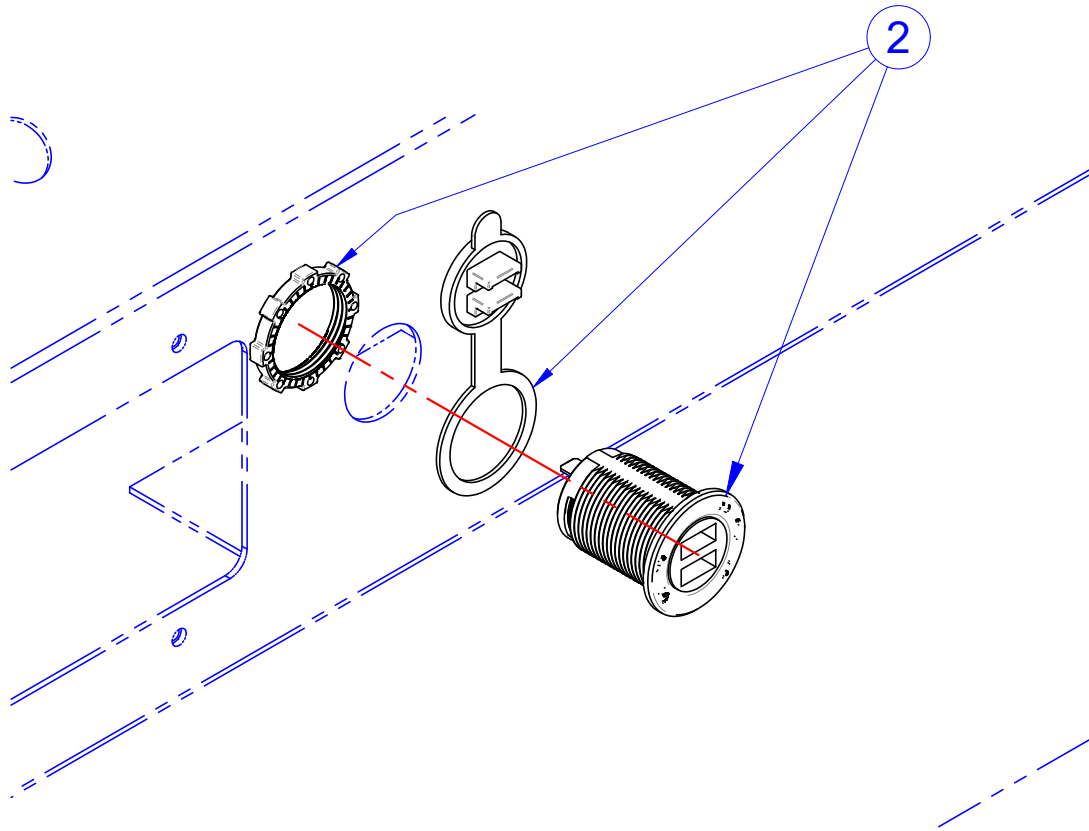
12V OUTLET



ITEM	PART #	DESCRIPTION	QTY	REF #
1-2	191728U	P&A KIT, BC 12V OUTLET	KIT	191728A
1*	467619	HARNESS, BC 12V OUTLET	1	467619
2	719342	RECEPTACLE, 12V, COVERED	1	719342

NOTE: Items with * in tables indicates parts not shown in drawing

USB CHARGER PORT



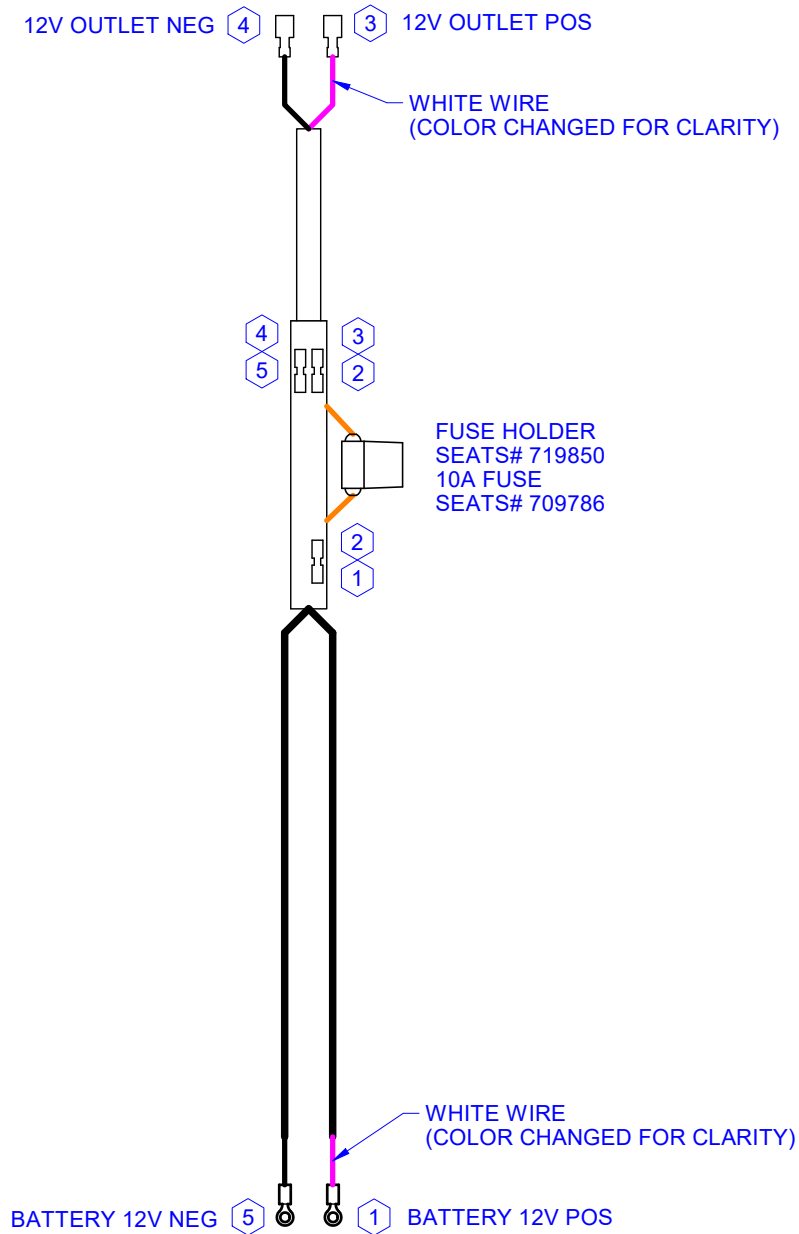
ITEM	PART #	DESCRIPTION	QTY	REF #
1*	467619	HARNESS, BC 12V OUTLET	1	467619
2	761729	RECEPTACLE, USB CHARGING PORT	1	761729

NOTE: Items with * in tables indicates parts not shown in drawing

12V ACCESSORIES HARNESS

CIRCUIT NO	DESCRIPTION	FIRST TERMINAL	SECOND TERMINAL	WIRE LENGTH*	WIRE COLOR	WIRE GAGE
1	BATTERY 12V POS TO FUSE HOLDER	14-16 GA 3/8" RING TERM	14-16 GA BUTT SPLICE	31.00"	WHT	16
2	FUSE HOLDER	2nd TERM CIR #1	14-16 GA BUTT SPLICE	N/A	N/A	N/A
3	FUSE HOLDER TO WIPER POS	2nd TERM CIR #2	14-16 GA 1/4" F.I.F.	152.00 (1)	WHT	16
4	WIPER NEG TO SPLICE	14-16 GA 1/4" F.I.F.	14-16 GA BUTT SPLICE	152.00 (1)	BLK	16
5	SPLICE TO BATTERY 12V NEG	2nd TERM CIR #4	14-16 GA 3/8" RING TERM	40.00"	BLK	16

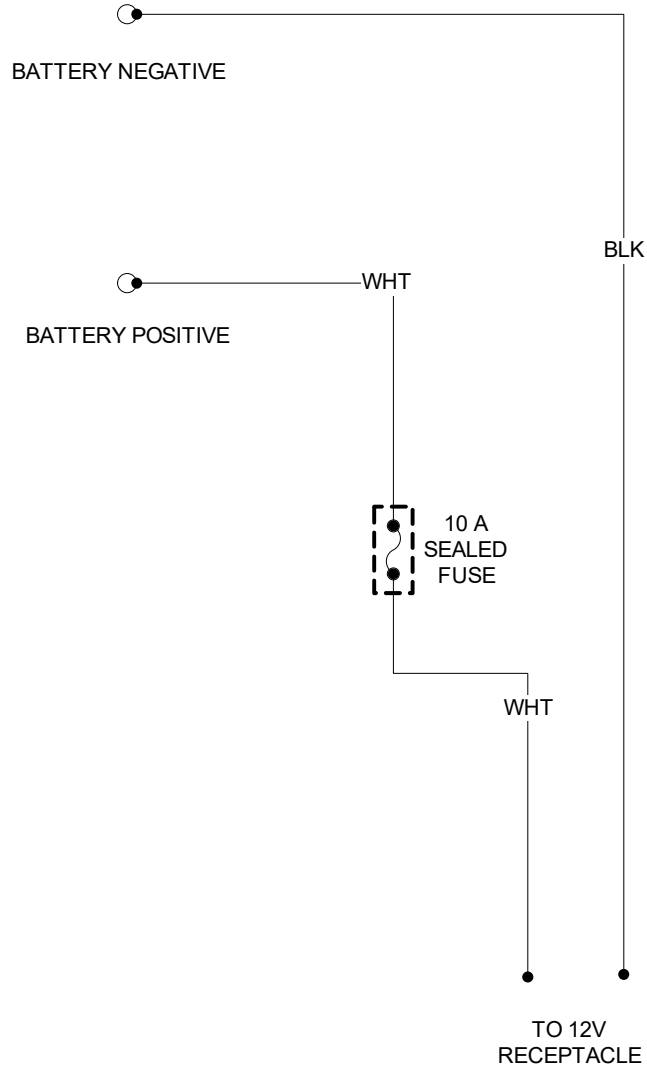
* WIRE LENGTH FOR REFERENCE USE ONLY
 FIF = FULLY INSULATED FEMALE QUICK CONNECT
 FIM = FULLY INSULATED MALE QUICK CONNECT
 (1) = WIRE, 16/2 CABLE



NOTE: Items with * in tables indicates parts not shown in drawing

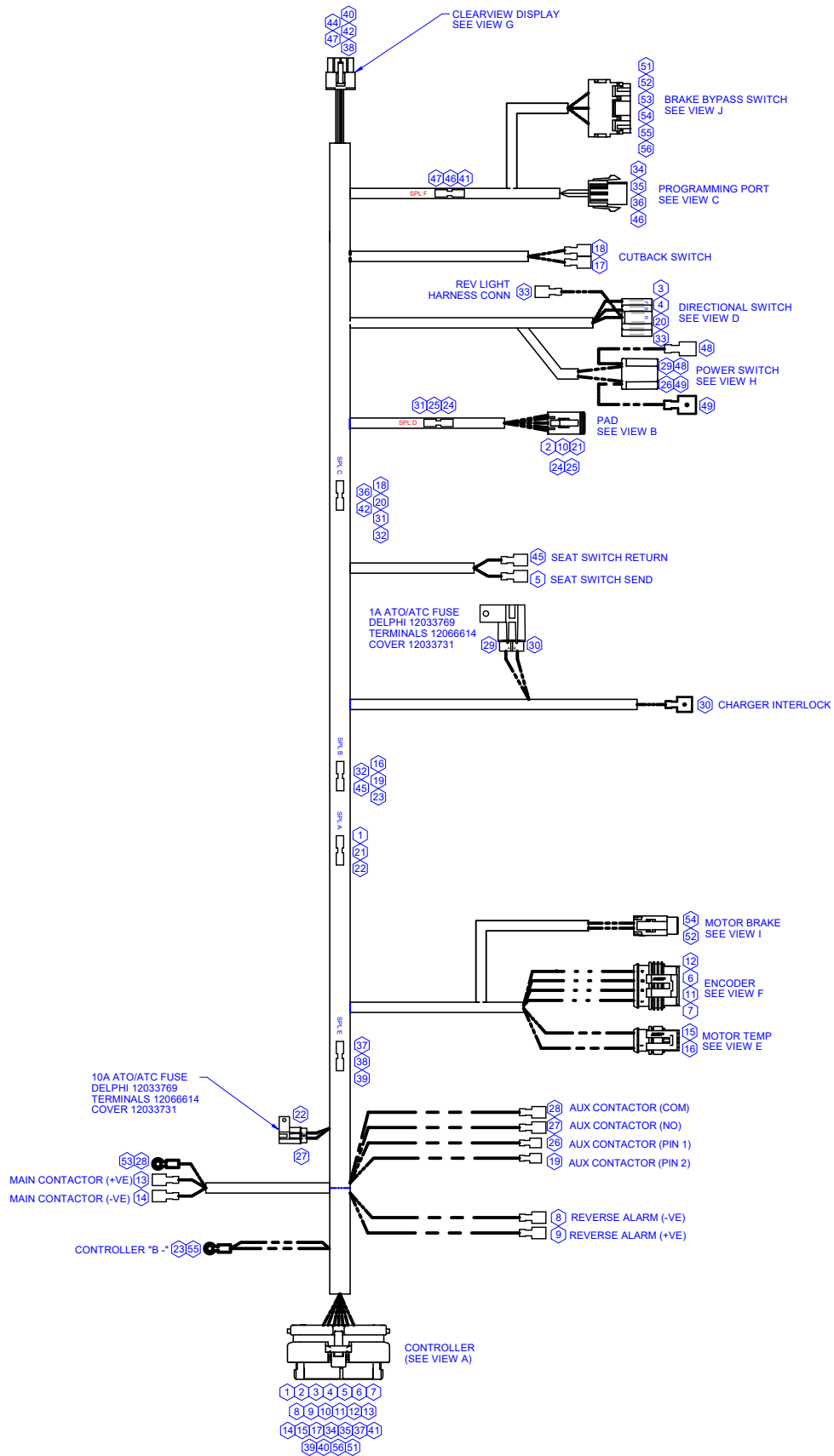
12V ACCESSORIES HARNESS

12V RECEPTACLE OUTLET SCHEMATIC



NOTE: Items with * in tables indicates parts not shown in drawing

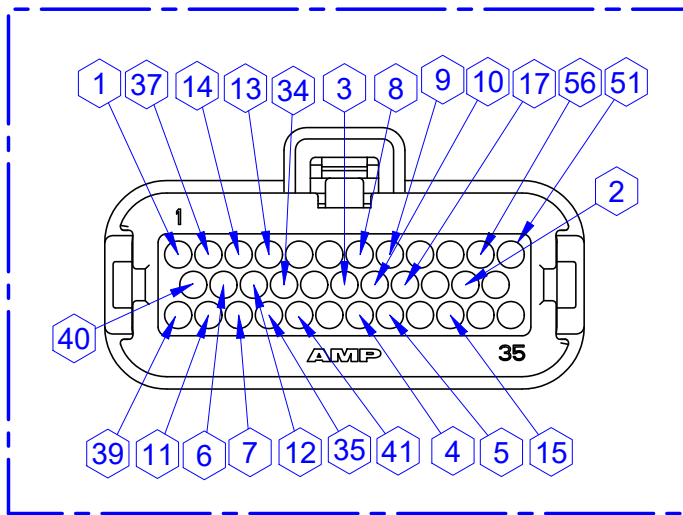
AC HARNESS



NOTE: Items with * in tables indicates parts not shown in drawing

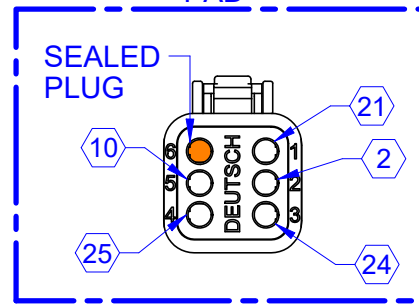
AC HARNESS

CONTROLLER



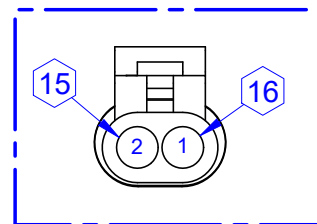
VIEW A
AMP 776164
CONTACT 770520-1

PAD



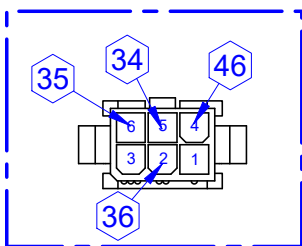
VIEW B
DEUTSCH DT06-6S
CONTACT 1062-16-0122
WEDGELOCK W6S
SEAL PLUG 0413-217-1605

MOTOR TEMP



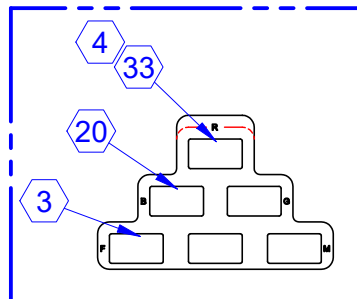
VIEW E
AMP 282080-1
CONTACT 282110-1

PROGRAMMING PORT



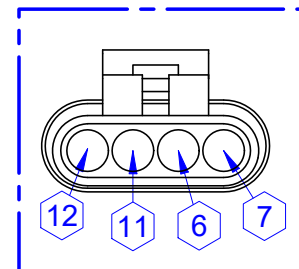
VIEW C
MOLEX 39012061
CONTACT 44478-1112

DIRECTION SWITCH



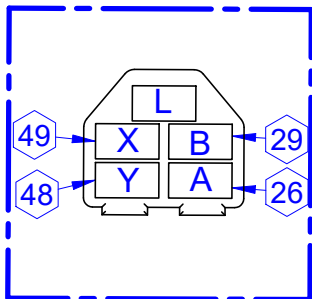
VIEW D
DELPHI 02977233
CONTACT 12124512

MOTOR ENCODER



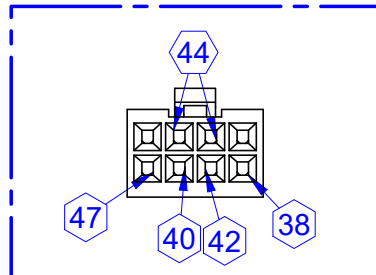
VIEW F
AMP 282088-1
CONTACT 282110-1

KEY SWITCH



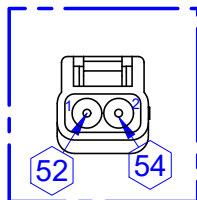
VIEW H
DELPHI 2973422
PIN - 12124513

CLEARVIEW DISPLAY



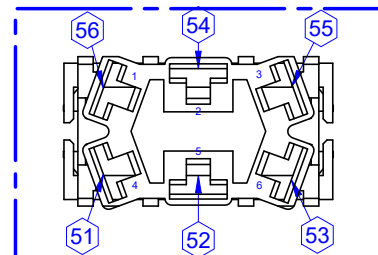
VIEW G
MOLEX 39-01-2080 PLUG
PIN P/N 39-00-0039

MOTOR BRAKE



VIEW I
DEUTSCH DTM06-2S
CONTACT 1062-20-0122
WEDGELOCK WM-6S

BRAKE BYPASS SWITCH



VIEW J
EATON 28-3426
PIN - DELPHI 12015870

NOTE: Items with * in tables indicates parts not shown in drawing

CIRCUIT NO	DESCRIPTION	FIRST TERMINAL	SECOND TERMINAL	WIRE LENGTH*	WIRE COLOR	WIRE GAGE
1	CONTROL PIN 1 (POWER INPUT) TO SPLICE A	AMP SOCKET (1)	10-12GA SPLICE	25	RED	18
2	CONTROL PIN 22 (PEDAL SIGNAL) TO PAD PLUG PIN 2	AMP SOCKET (1)	DEUTSCH (2)	180	GRN	18
3	CONTROL PIN 18 (FWD) TO DIRECTIONAL SWITCH "F"	AMP SOCKET (1)	PACKARD TERM (4)	214	GRN	18
4	CONTROL PIN 30 (REV) TO DIR SW "R"	AMP SOCKET (1)	PACKARD TERM (4)	214	GRAY	18
5	CONTROL PIN 31 (SEAT SW SEND) TO VEHICLE	AMP SOCKET (1)	18-20 GA 1/4" F.I.F.	134	BLK	18
6	CONTROL PIN 14 (ENC PHASE A) TO ENCODER PLUG (PIN2)	AMP SOCKET (1)	AMP SOCKET (3)	26	WHT	16
7	CONTROL PIN 26 (ENC +VE SUPPLY) TO ENCODER PLUG (PIN 1)	AMP SOCKET (1)	AMP SOCKET (3)	26	RED	16
8	CONTROL PIN 7 TO REV ALARM (-)	AMP SOCKET (1)	18-20 GA 1/4" F.I.F.	18	BLK	18
9	CONTROL PIN 8 TO REV ALARM (+)	AMP SOCKET (1)	18-20 GA 1/4" F.I.F.	18	YLW	18
10	CONTROL PIN 19 (PEDAL SW +VE) TO PAD PLUG PIN 5	AMP SOCKET (1)	DEUTSCH (2)	180	BLU	18
11	CONTROL PIN 25 (ENC PHASE B) TO ENCODER PLUG (PIN 3)	AMP SOCKET (1)	AMP SOCKET (3)	26	BLU	16
12	CONTROL PIN 15 (ENC -VE SUPPLY) TO ENCODER PLUG (PIN 4)	AMP SOCKET (1)	AMP SOCKET (3)	26	BLK	16
13	CONTROL PIN 4 TO MAIN CONT COIL (POS)	AMP SOCKET (1)	18-20 GA 1/4" F.I.F.	13	RED	18
14	CONTROL PIN 3 TO MAIN CONT COIL (NEG)	AMP SOCKET (1)	18-20 GA 1/4" F.I.F.	13	BLK	18
15	CONTROL PIN 33 (MOTOR TEMP +) TO MOTOR TEMP PLUG (PIN 2)	AMP SOCKET (1)	AMP SOCKET (3)	26	YLW	18
16	MOTOR TEMP PLUG (PIN 1 (-)) TO SPLICE B	AMP SOCKET (3)	10-12GA SPLICE	19	GRN	18
17	CONTROL PIN 20 (CUTBACK) TO CUTBACK SWITCH	AMP SOCKET (1)	18-20 GA 1/4" F.I.F.	215	ORG	18
18	CUTBACK SWITCH TO SPLICE C	18-20 GA 1/4" F.I.F	10-12GA SPLICE	47	BLK	18
19	SPLICE B TO AUX CONTACTOR COIL (PIN 2)	2ND CIRCUIT SPLICE B	18-20 GA 3/16" F.I.F.	31	BLK	18
20	DIRECTIONAL SWITCH "B" TO SPLICE C	PACKARD TERM (4)	2ND CIRCUIT SPLICE C	46	BLK	18
21	SPLICE A TO PAD PLUG PIN 1	2ND CIRCUIT SPLICE A	DEUTSCH (2)	155	RED	18
22	SPLICE A TO FUSE 10A	3RD CIRCUIT SPLICE A	PACKARD TERM (5)	16	RED	18
23	SPLICE B TO B (-) CONTROLLER	3RD CIRCUIT SPLICE B	16-18 GA 5/16" RING TERM (6)	31	BLK	16
24	SPLICE D TO PAD PLUG PIN 3	10-12GA SPLICE	DEUTSCH (2)	4	YLW	18
25	SPLICE D TO PAD PLUG PIN 4	2ND CIRCUIT SPLICE D	DEUTSCH (2)	4	BLK	18
26	AUX CONTACTOR COIL (PIN 1) TO POWER SWITCH "A"	PACKARD (4)	18-20 GA 3/16" F.I.F.	221	RED	18
27	FUSE 10 A TO AUX CONTACTOR (NO)	PACKARD TERM (5)	16-18 GA 1/4" F.I.F.	17	RED	18
28	AUX CONTACTOR (COM) TO MAIN CONTACTOR (POS)	16-18 GA 1/4" F.I.F.	16-18 GA 5/16" RING TERM (6)	17	RED	18
29	POWER SWITCH "B" TO FUSE 1A	PACKARD (4)	PACKARD TERM (5)	193	RED	18
30	FUSE 1A TO CHARGER INTERLOCK (CONTROL +)	PACKARD TERM (5)	14-16 GA 1/4" F.I.M.	6	RED	18
31	SPLICE D TO SPLICE C	3RD CIRCUIT SPLICE D	3RD CIRCUIT SPLICE C	8	BLK	18
32	SPLICE C TO SPLICE B	4TH CIRCUIT SPLICE C	4TH CIRCUIT SPLICE B	141	BLK	18
33	DIR SW "R" TO REV LIGHT HARNESS CONN	2ND TERM CIRCUIT 4	18-20 GA 1/4" F.I.F.	3	GRAY	18
34	CONTROL PIN 16 (CAN HIGH) TO PROGRAMMING PORT PIN 5	AMP SOCKET (1)	MOLEX (7)	220	BLU	18
35	CONTROL PIN 27 (CAN LOW) TO PROGRAMMING PORT PIN 6	AMP SOCKET (1)	MOLEX (7)	220	YLW	18

* WIRE LENGTH FOR REFERENCE USE ONLY
FIF = FULLY INSULATED FEMALE QUICK CONNECT
FIM = FULLY INSULATED MALE QUICK CONNECT
(1) = WIRE, 16/2 CABLE

CONTINUED ON NEXT PAGE

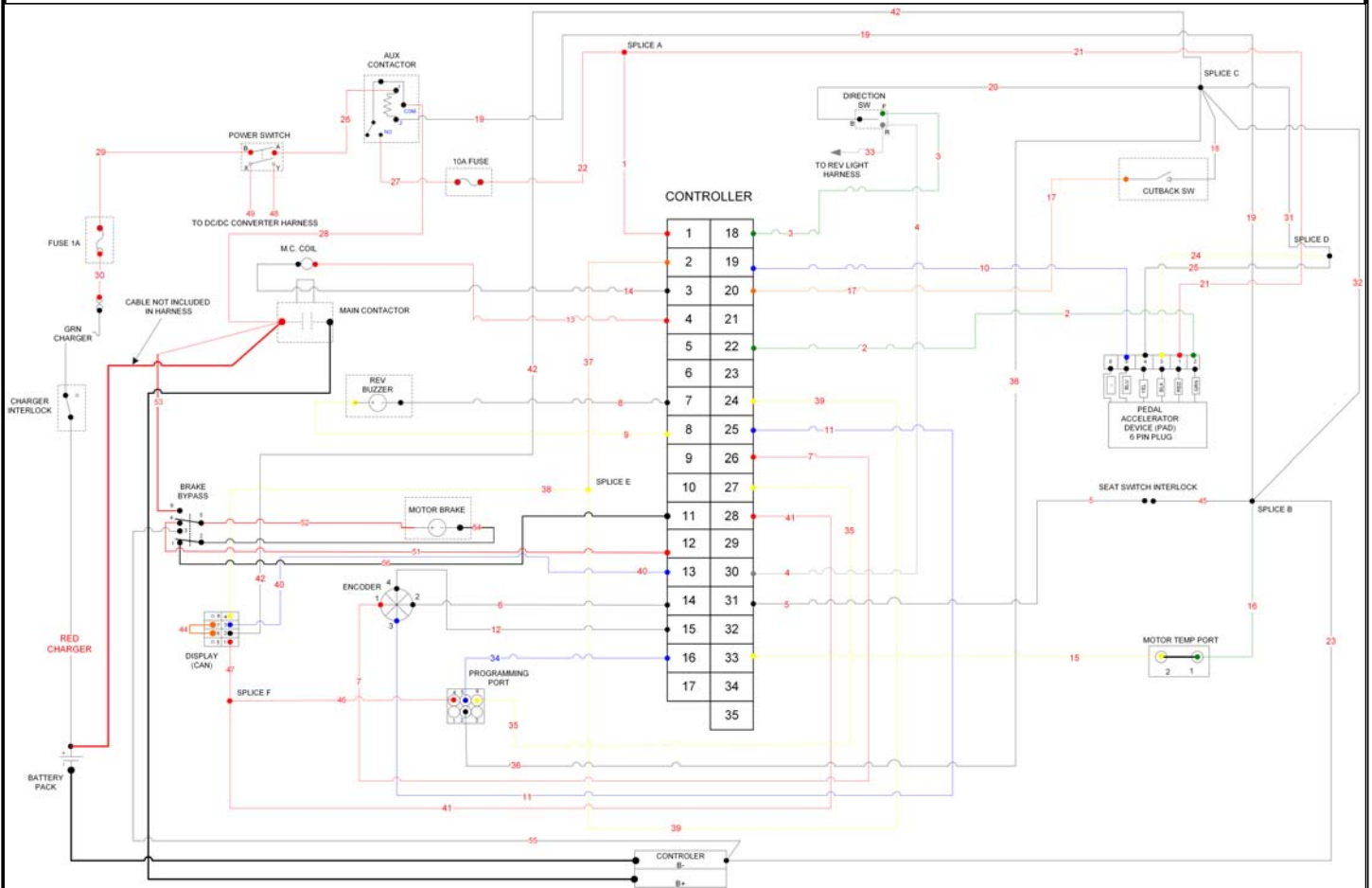
NOTE: Items with * in tables indicates parts not shown in drawing

CIRCUIT NO	DESCRIPTION	FIRST TERMINAL	SECOND TERMINAL	WIRE LENGTH*	WIRE COLOR	WIRE GAGE
36	SPLICE C TO PROGRAMMING PORT PIN 2	5TH CIRCUIT SPLICE C	MOLEX (7)	52	BLK	18
37	CONTROL PIN 2 (CAN TERM) TO SPLICE E	AMP SOCKET (1)	10-12GA SPLICE	13	ORG	18
38	SPLICE E TO DISPLAY PIN 4	2ND CIRCUIT SPLICE E	MOLEX (7)	212	YLW	18
39	CONTROL PIN 24 TO SPLICE E	AMP SOCKET (1)	3RD CIRCUIT SPLICE E	13	YLW	18
40	CONTROL PIN 13 (CAN HIGH) TO DISPLAY PIN 3	AMP SOCKET (1)	MOLEX (8)	225	BLU	18
41	CONTROL PIN 28 (CAN + SPLY) TO SPLICE F	AMP SOCKET (1)	10-12GA SPLICE	214	RED	18
42	DISPLAY PIN 2 TO SPLICE C	MOLEX (8)	6TH CIRCUIT SPLICE C	57	BLK	18
44	DISPLAY PIN 6 TO DISPLAY PIN 7	MOLEX (8)	MOLEX (8)	2	ORG	18
45	SEAT SW RETURN TO SPLICE B	18-20 GA 1/4" F.I.F.	5TH CIRCUIT SPLICE B	107	BLK	18
46	SPLICE F TO PROGRAMMING PORT PIN 4	2ND CIRCUIT SPLICE F	MOLEX (7)	6	RED	18
47	SPLICE F TO DISPLAY PIN 1	3RD CIRCUIT SPLICE F	MOLEX (8)	19	RED	18
48	POWER SWITCH "Y" TO DC CONVERTER	PACKARD TERM (4)	14-16 GA 1/4" F.I.F.	5	RED	16
49	POWER SWITCH "X" TO DC CONVERTER	PACKARD TERM (4)	14-16 GA 1/4" F.I.M.	5	RED	16
51	CONTROL PIN 12 (+) TO BRAKE SW TERM 4	AMP (1)	DELPHI (10)	232	RED	18
52	MOTOR BRAKE PLUG PIN 1 TO BRAKE SW TERM 5	DEUTSCH (9)	DELPHI (10)	216	BROWN	18
53	MAIN CONTACTOR TO BRAKE SW TERM 6	2ND TERM CIRCUIT 28	DELPHI (10)	221	RED	18
54	MOTOR BRAKE PLUG PIN 2 TO BRAKE SW TERM 2	DEUTSCH (9)	DELPHI (10)	216	GRN	18
55	BRAKE SW TERM 3 TO B(-) CONTROLLER	DELPHI (10)	2ND TERM CIRCUIT 23	226	BLK	18
56	CONTROL PIN 11 TO BRAKE SW TERM N	AMP (1)	DELPHI (10)	232	BLK	18

* WIRE LENGTH FOR REFERENCE USE ONLY
FIF = FULLY INSULATED FEMALE QUICK CONNECT
FIM = FULLY INSULATED MALE QUICK CONNECT
(1) = WIRE, 16/2 CABLE

NOTE: Items with * in tables indicates parts not shown in drawing

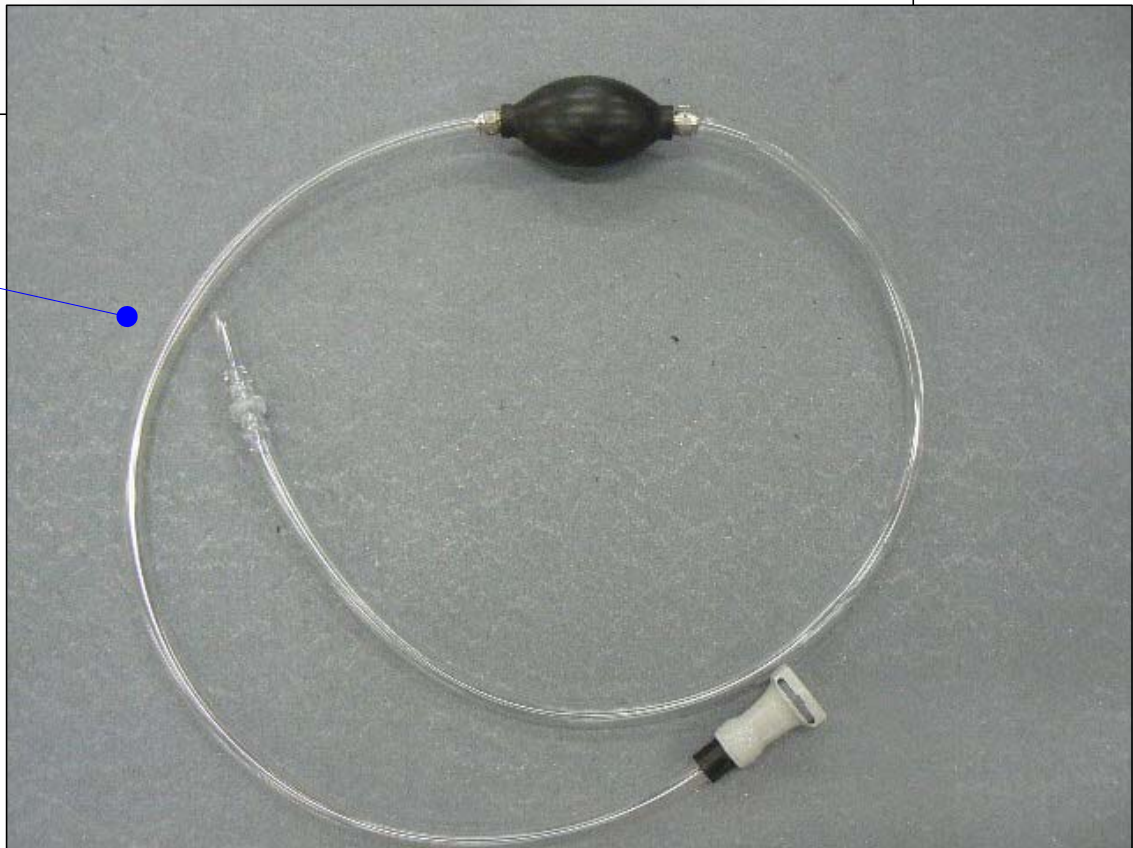
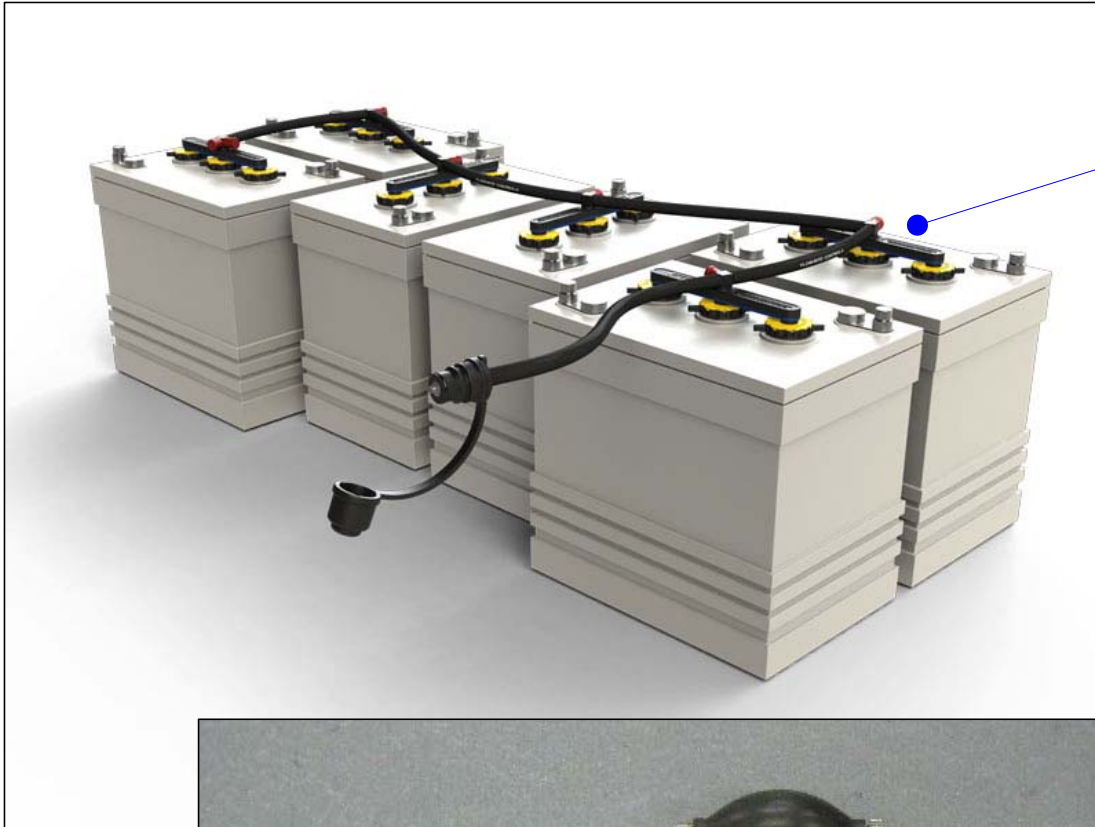
AC HARNESS



CONTROLLER PIN DESCRIPTIONS		CONTROLLER PIN DESCRIPTIONS		CONTROLLER PIN DESCRIPTIONS	
PIN	DESCRIPTIONS	PIN	DESCRIPTIONS	PIN	DESCRIPTIONS
1	KEY SWITCH INPUT	16	CAN HIGH	31	SAFETY OUT
2	CAN BUS TERMINATION	17	NOT USED	32	NOT USED
3	MAIN CONTACTOR (-)	18	FORWARD	33	MOTOR TEMP (+)
4	MAIN CONTACTOR (+)	19	FS1 (+) SUPPLY	34	NOT USED
5	NOT USED	20	CUTBACK SWITCH	35	NOT USED
6	NOT USED	21	NOT USED		
7	REVERSE ALARM (-)	22	PEDAL SIGNAL		
8	REVERSE ALARM (+)	23	NOT USED		
9	NOT USED	24	CAN LOW (DISPLAY)		
10	NOT USED	25	ENCODER PHASE B		
11	MOTOR BRAKE (-)	26	ENCODER (+) SUPPLY		
12	MOTOR BRAKE (+)	27	CAN LOW		
13	CAN HIGH (DISPLAY)	28	DISPLAY (+) SUPPLY		
14	ENCODER PHASE A	29	NOT USED		
15	ENCODER (-) SUPPLY	30	REVERSE		

NOTE: Items with * in tables indicates parts not shown in drawing

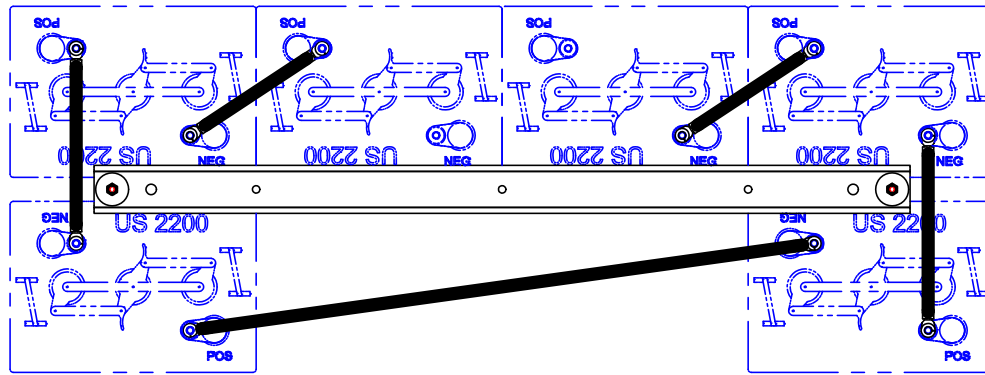
BATTERY WATERING SYSTEM



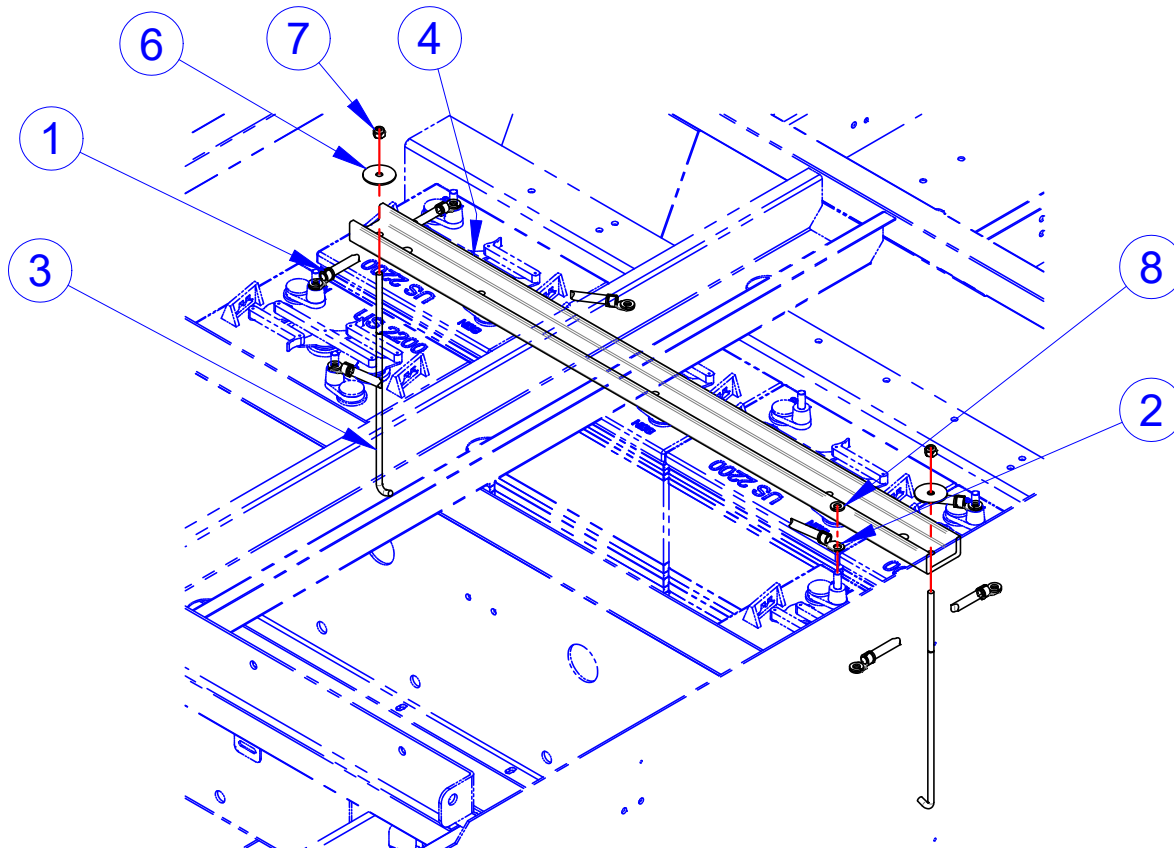
ITEM	PART #	DESCRIPTION	QTY	REF #
1	759857	BATTERY WATERING SYSTEM CAPS,48V	1	759857
2	1026233	HAND PUMP,WATERING SYSTEM	1	1026233

NOTE: Items with * in tables indicates parts not shown in drawing

BATTERY HARDWARE 36V



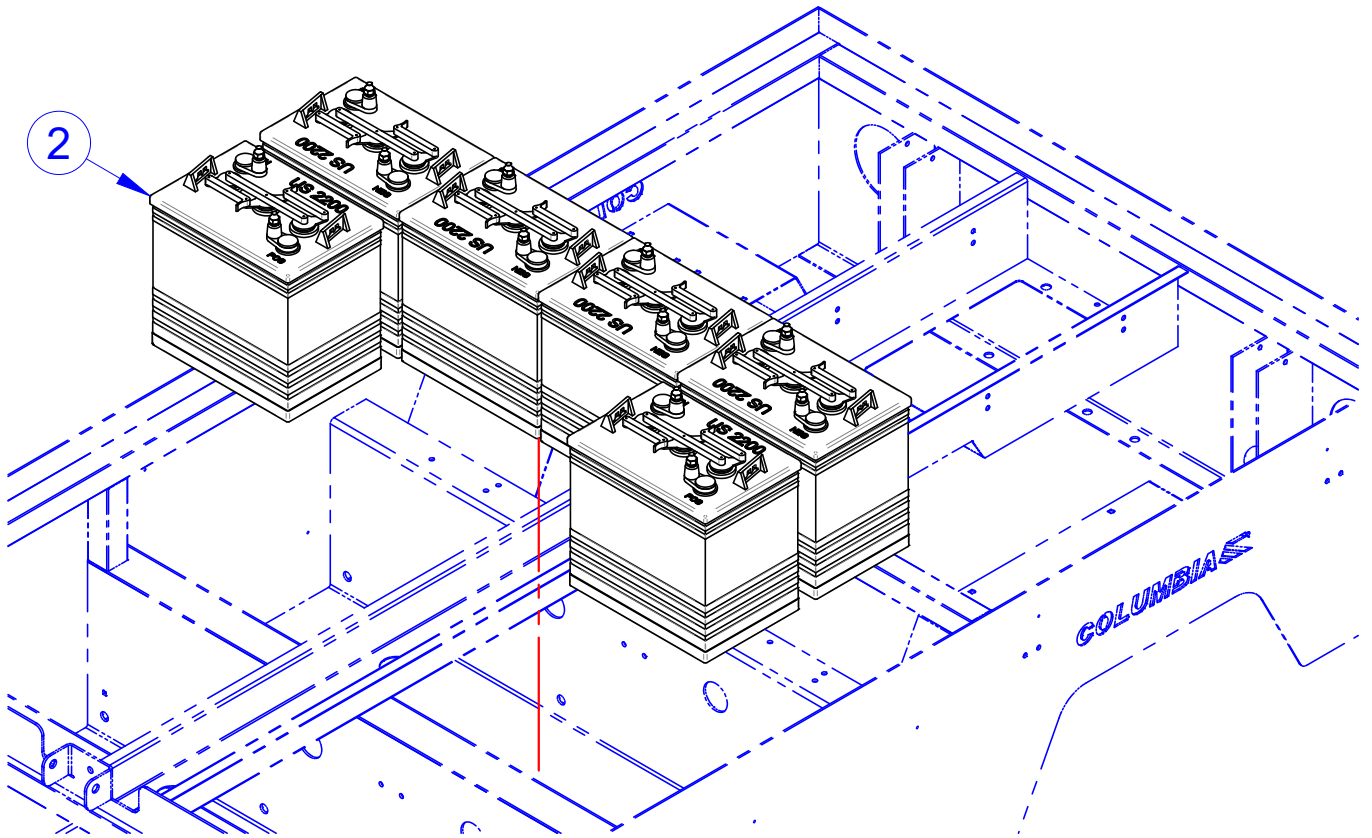
FRONT OF VEHICLE



ITEM	PART #	DESCRIPTION	QTY	REF #
1	709004	CABLE, 4 GA X 8.75, 5/16 TERMINALS	4	709004
2	709019	CABLE, 4GA X 37.00", 5/16" TERM	1	709019
3	709059	ROD, BATTERY HOLD DOWN	2	709059
4	709196	HOLD-DOWN, BATTERY	1	709196
5*	719504	CABLE TIE, BLACK, .18X11-3/4, STD, 50LB	1	719504
6	719786	WASHER FLT STAINLESS .28X1.375X.06	2	719786
7	719876	NUT, 1/4-20, L/N, NYL, NE, 316, S/S	2	719876
8	781621	WSHR, 5/16, L/W, SPLIT, 18-8, S/S	10	781621

NOTE: Items with * in tables indicates parts not shown in drawing

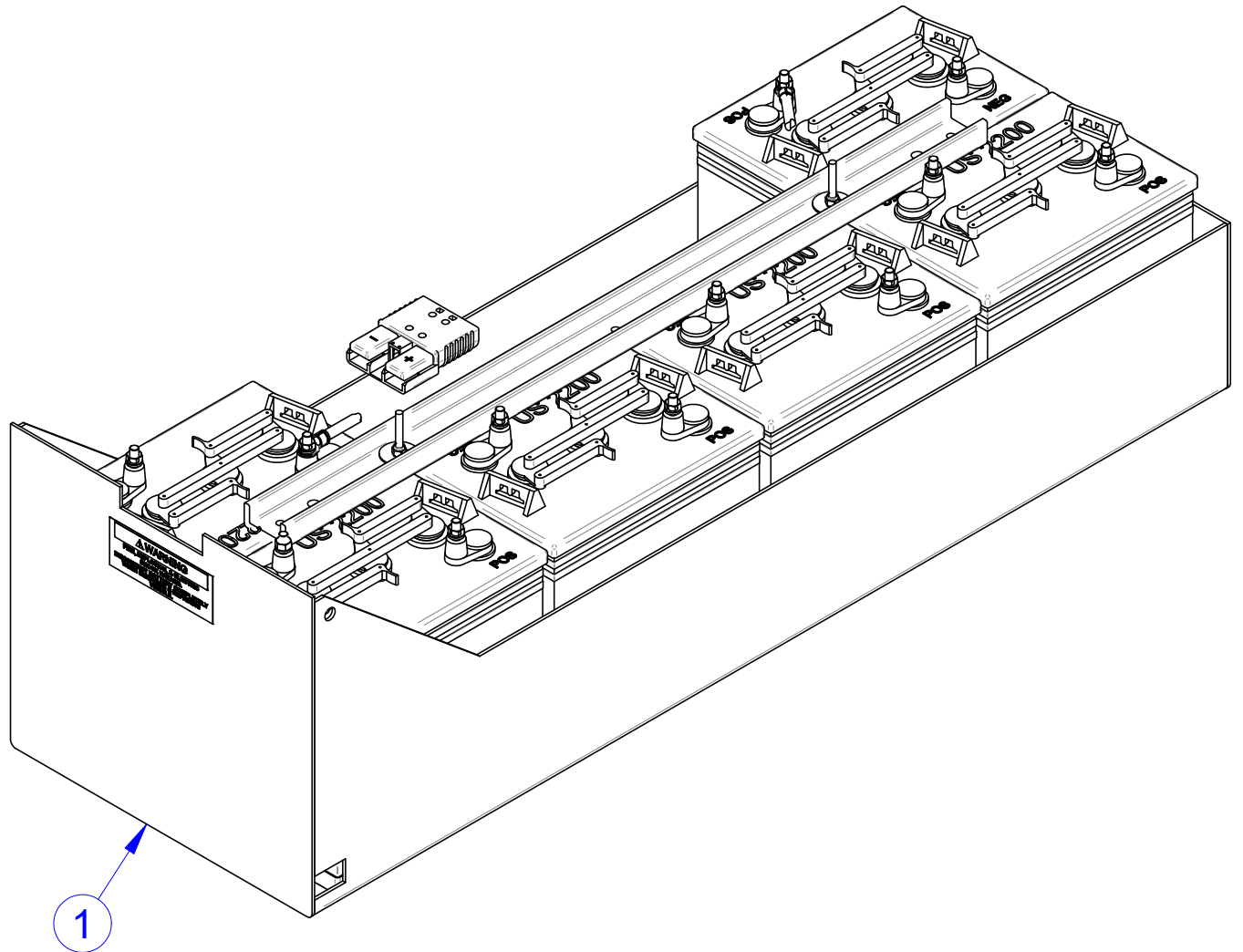
36V BATTERIES



ITEM	PART #	DESCRIPTION	QTY	REF #
1*	468229	LABEL, SMALL VIN	6	512059
2	NONE	BATTERY, 6V, T-105	6	NONE
	NONE	BATTERY, 6V, DEEP CYCLE, (US-2200)	6	NONE
	NONE	BATTERY,6V,DEEP CYCLE, (US-145)	6	NONE
	NONE	BATTERY,6VDC,AGM,GC2,SEALED	6	NONE
	NONE	BATTERY, 6V, 105 MIN, TROJAN,-T605	6	NONE
	NONE	BATTERY, 6V, 240AH T125	6	NONE
	NONE	BATTERY, 6V, 217AH, T105AGM	6	NONE
3*	NONE	TAG, XP+, W/WIRE, #8, 13-PT, YELLOW	1	NONE

NOTE: Items with * in tables indicates parts not shown in drawing

36V US2200 BATTERY BOX



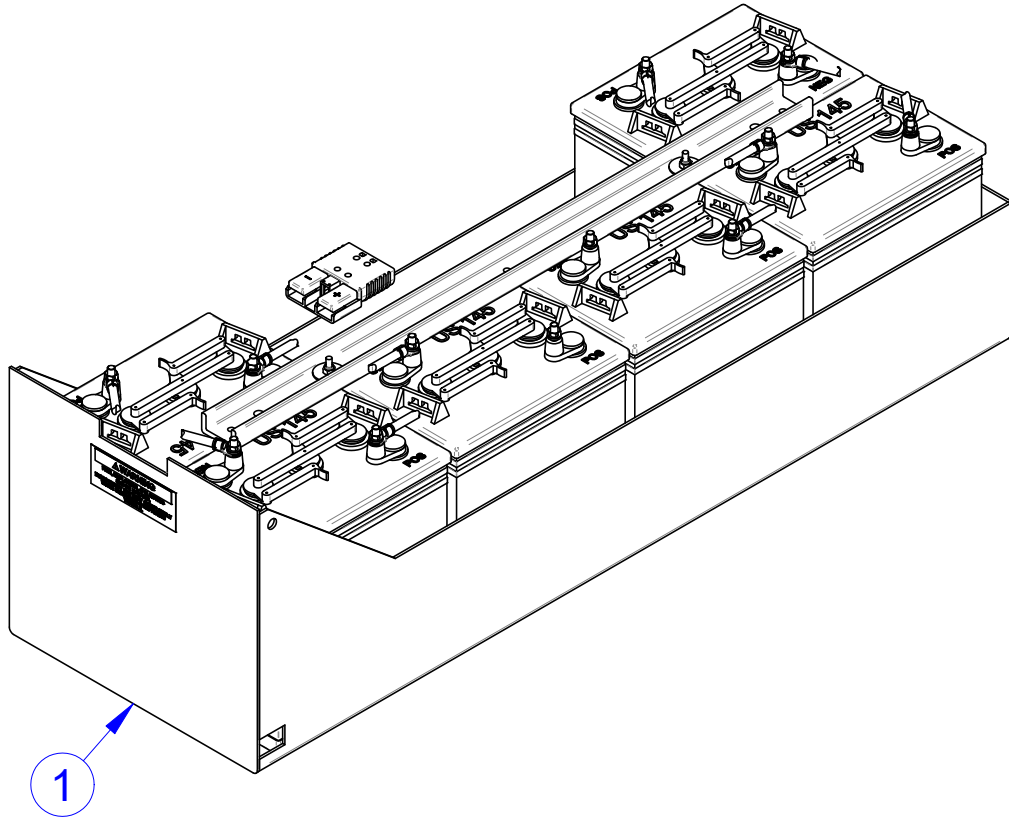
ITEM	PART #	DESCRIPTION	QTY	REF #
1	467724	ASM, BC 36V US2200 BATT BOX	1	467724

NOTE: Items with * in tables indicates parts not shown in drawing

Columbia Vehicle Group, Inc.
A Nordic Group Company | Business Ventures Since 1947



36V US145 BATTERY BOX



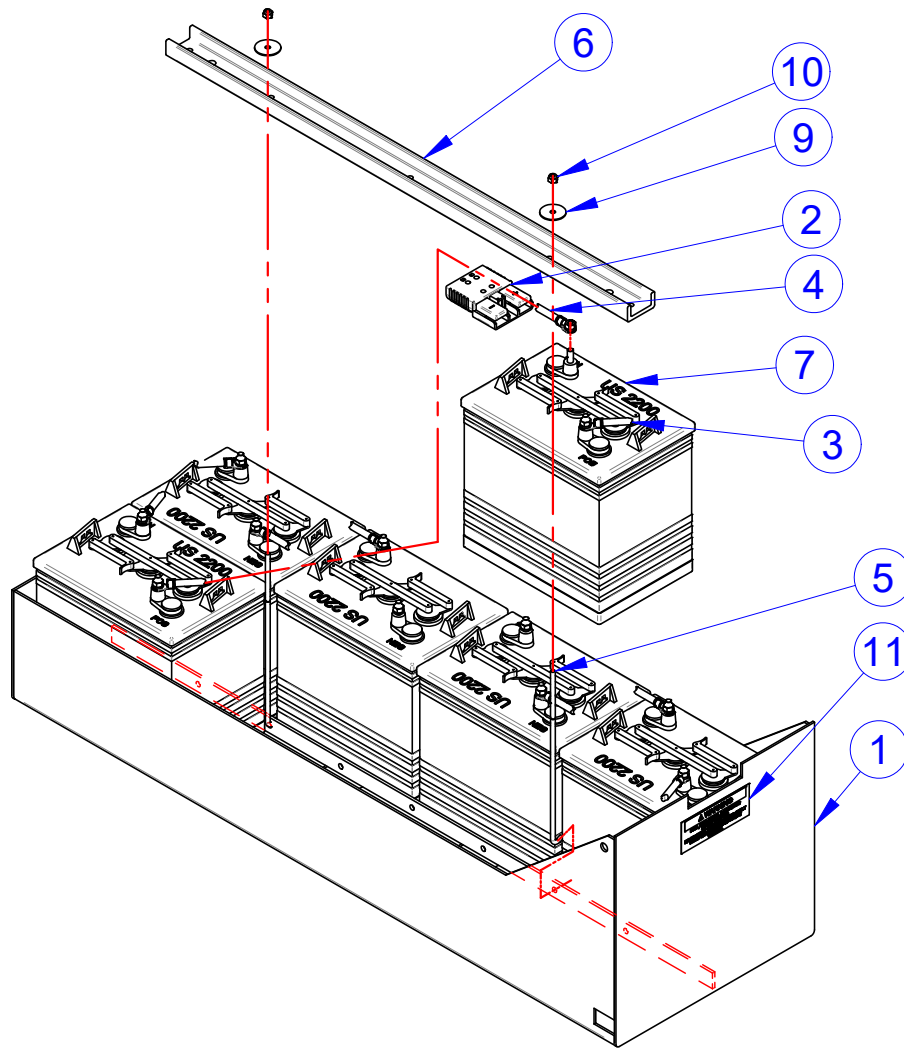
ITEM	PART #	DESCRIPTION	QTY	REF #
1	467725	ASM, BC 36V US2200 BATT BOX	1	467725

NOTE: Items with * in tables indicates parts not shown in drawing

Columbia Vehicle Group, Inc.
A Nordic Group Company | Business Ventures Since 1947



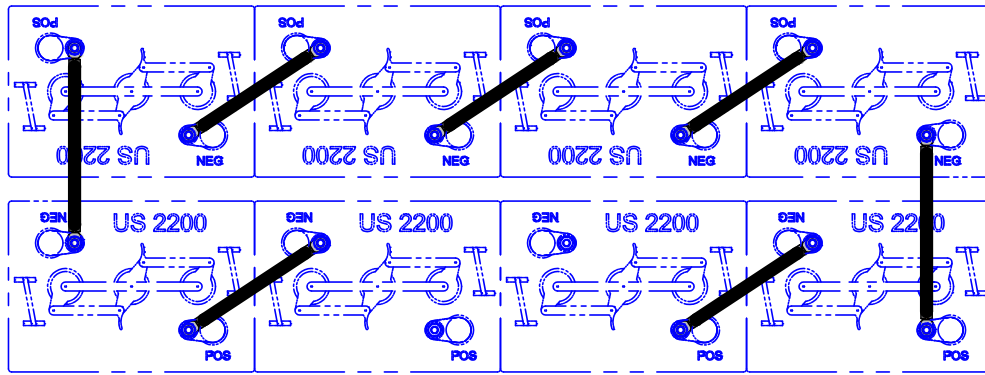
BATTERY TRAY, 36V



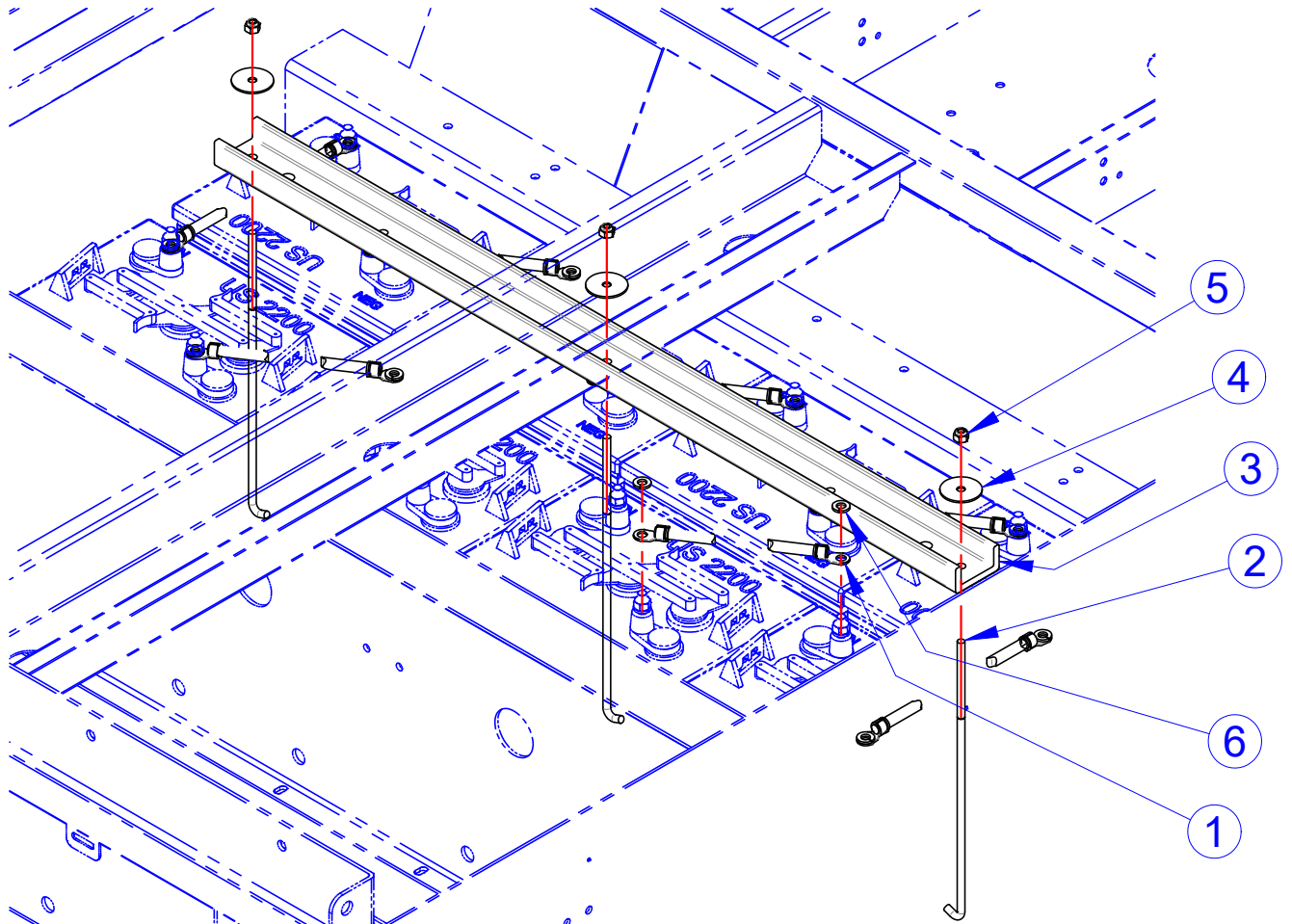
ITEM	PART #	DESCRIPTION	QTY	REF #
1	310015	WLDMT, BATTERY BOX, ROLLOUT	1	310015
2	467723	ASM, CONNECTOR, BC BATTERY	1	467723
3	709004	CABLE, 4 GA X 8.75, 5/16 TERMINALS	4	709004
4	709019	CABLE, 4GA X 37.00", 5/16" TERM	1	709019
5	709059	ROD, BATTERY HOLD DOWN	2	709059
6	709196	HOLD-DOWN, BATTERY	1	709196
7	NONE	BATTERY, 6V, DEEP CYCLE, (US-2200)	6	NONE
8*	719504	CABLE TIE, BLACK, .18X11-3/4, STD, 50LB	1	719504
9	719786	WASHER FLT STAINLESS .28X1.375X.06	2	719786
10	719876	NUT, 1/4-20, L/N, NYL, NE, 316, S/S	2	719876
11	739546	DECAL BATTERY BOX WARNING	1	739546

NOTE: Items with * in tables indicates parts not shown in drawing

BATTERY HARDWARE 48V



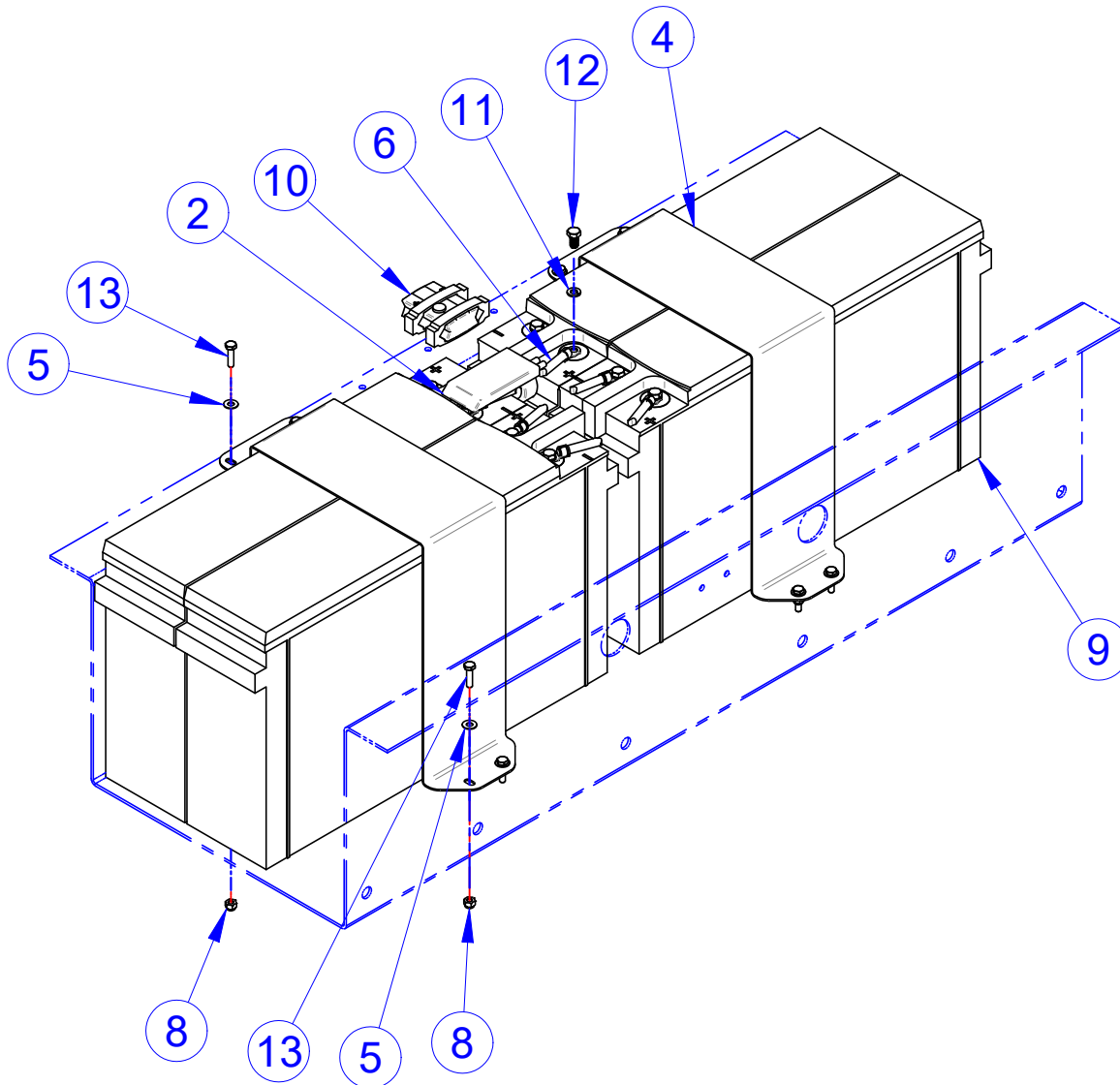
FRONT OF VEHICLE



ITEM	PART #	DESCRIPTION	QTY	REF #
1	709004	CABLE, 4 GA X 8.75, 5/16 TERMINALS	7	709004
2	709059	ROD, BATTERY HOLD DOWN	3	709059
3	709196	HOLD-DOWN, BATTERY	1	709196
4	719786	WASHER FLT STAINLESS .28X1.375X.06	3	719786
5	719876	NUT, 1/4-20, L/N, NYL, NE, 316, S/S	3	719876
6	781621	WSHR, 5/16, L/W, SPLIT, 18-8, S/S	14	781621

NOTE: Items with * in tables indicates parts not shown in drawing

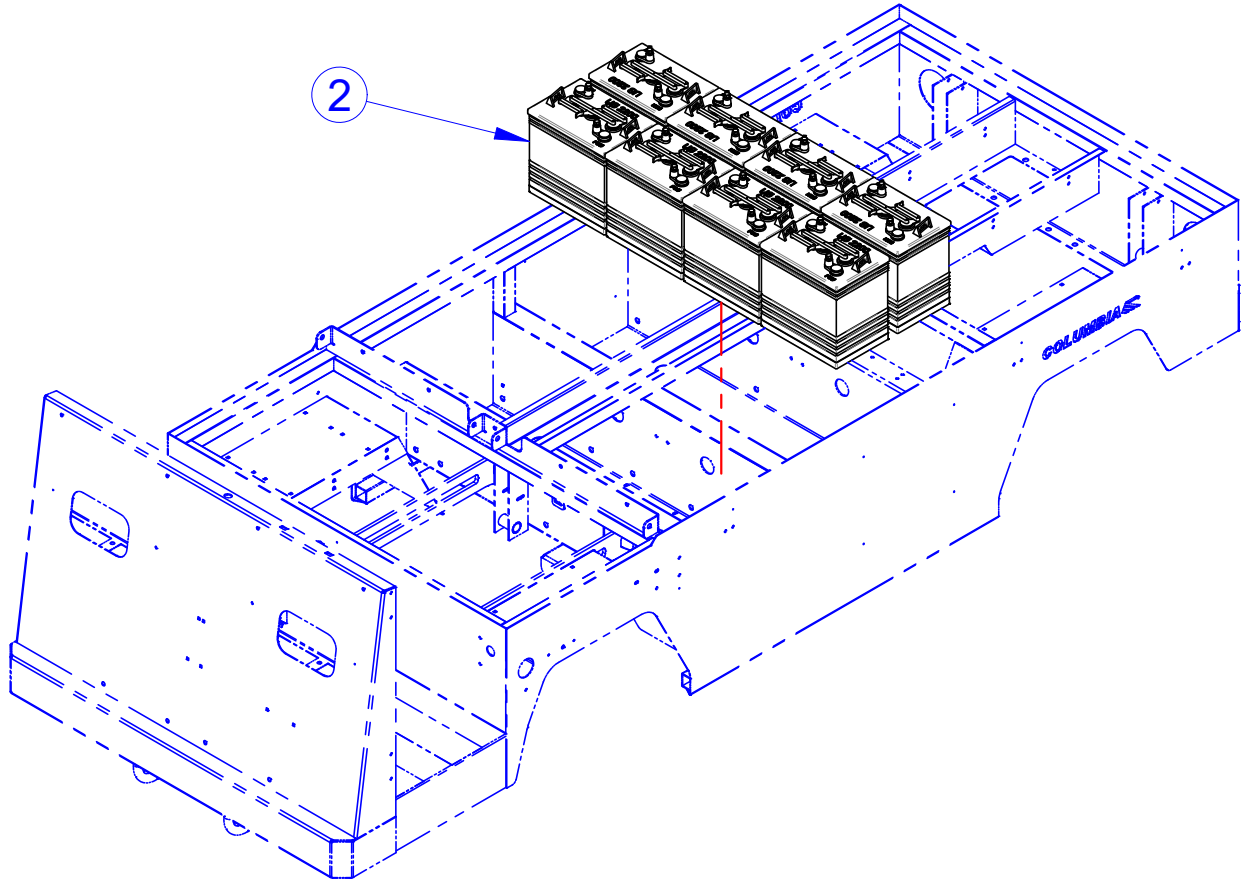
48V BATTERY 12NXS186



ITEM	PART #	DESCRIPTION	QTY	REF #
1*	NONE	HARNESS, CHARGER INTERLOCK BYPASS	1	NONE
2	468306	ASSY, WI-IQ4 BAT MONITORING, PROG	1	468306
3*	468229	P&A, LABEL, VIN, SMALL	4	468229
4	517774	BRKT, BC 12NXS186 TRY	2	517774
5	708511	WASHER, FLAT, 1/4", 18-8SS	8	708511
6	709004	CABLE, 4 GA X 8.75, 5/16 TERMINALS	3	709004
7*	NONE	TAG, XP+, W/WIRE, #8, 13-PT, YELLOW	1	NONE
8	719876	NUT, 1/4-20, L/N, NYL, NE, 316, S/S	8	719876
9	NONE	BATTERY, NEXSYS, 12NXS186	4	NONE
10	NONE	INDICATOR, POD OVER DISCHARG	1	NONE
11	781621	WSHR, 5/16, L/W, SPLIT, 18-8, S/S	8	781621
12	782727	SCR, M8-1.25 X 16 MM, HHCS, A2, S/S	8	782727
13	782785	SCREW, 1/4-20X1.0, HHCS, 18-8SS	8	782785

NOTE: Items with * in tables indicates parts not shown in drawing

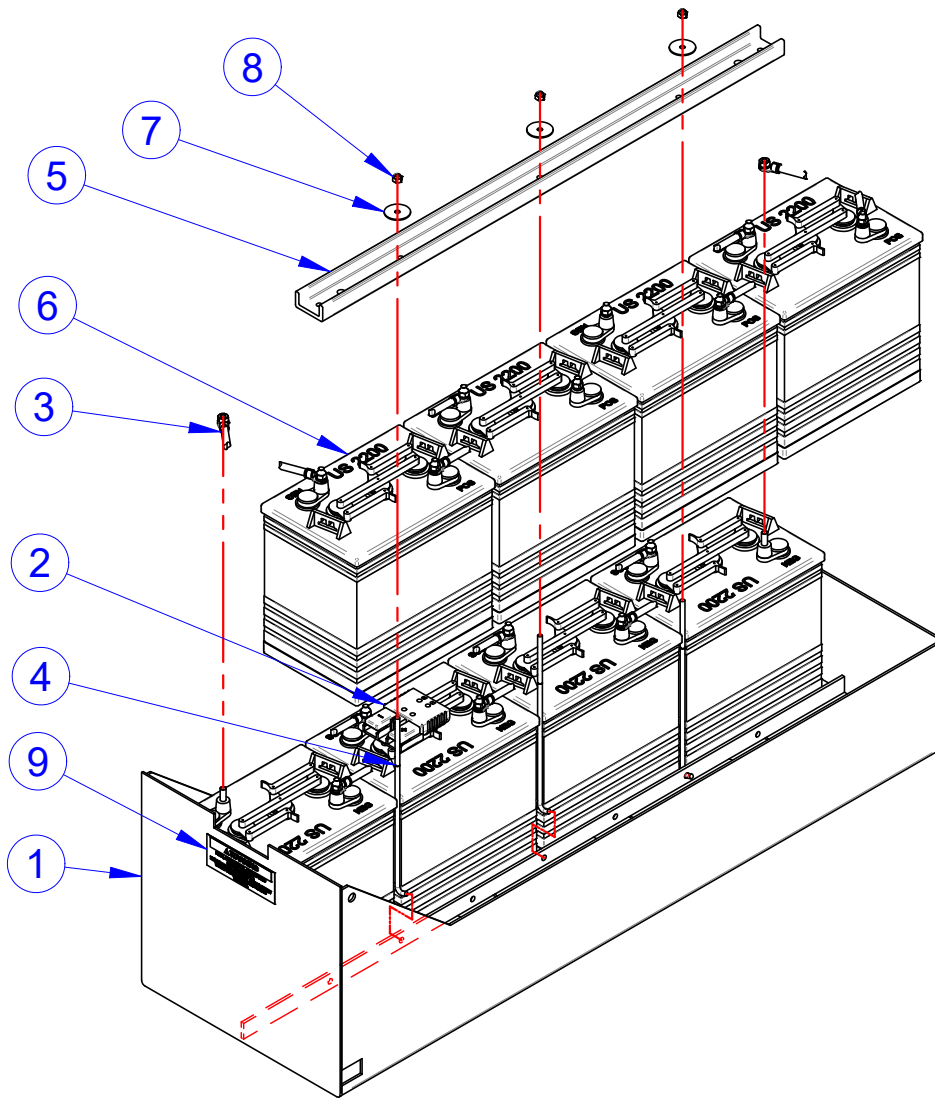
48V BATTERIES



ITEM	PART #	DESCRIPTION	QTY	REF #
1*	468229	LABEL, SMALL VIN	8	512059
2	NONE	BATTERY, 6V, T-105	8	NONE
	NONE	BATTERY, 6V, DEEP CYCLE, (US-2200)	8	NONE
	NONE	BATTERY, 6V, DEEP CYCLE, (US-145)	8	NONE
	NONE	BATTERY, 6VDC, AGM, GC2, SEALED	8	NONE
	NONE	BATTERY, 6V, 240AH T125	8	NONE
	NONE	BATTERY, 6V, 217AH, T105AGM	8	NONE
3*	NONE	TAG, XP+, W/WIRE, #8, 13-PT, YELLOW	1	NONE

NOTE: Items with * in tables indicates parts not shown in drawing

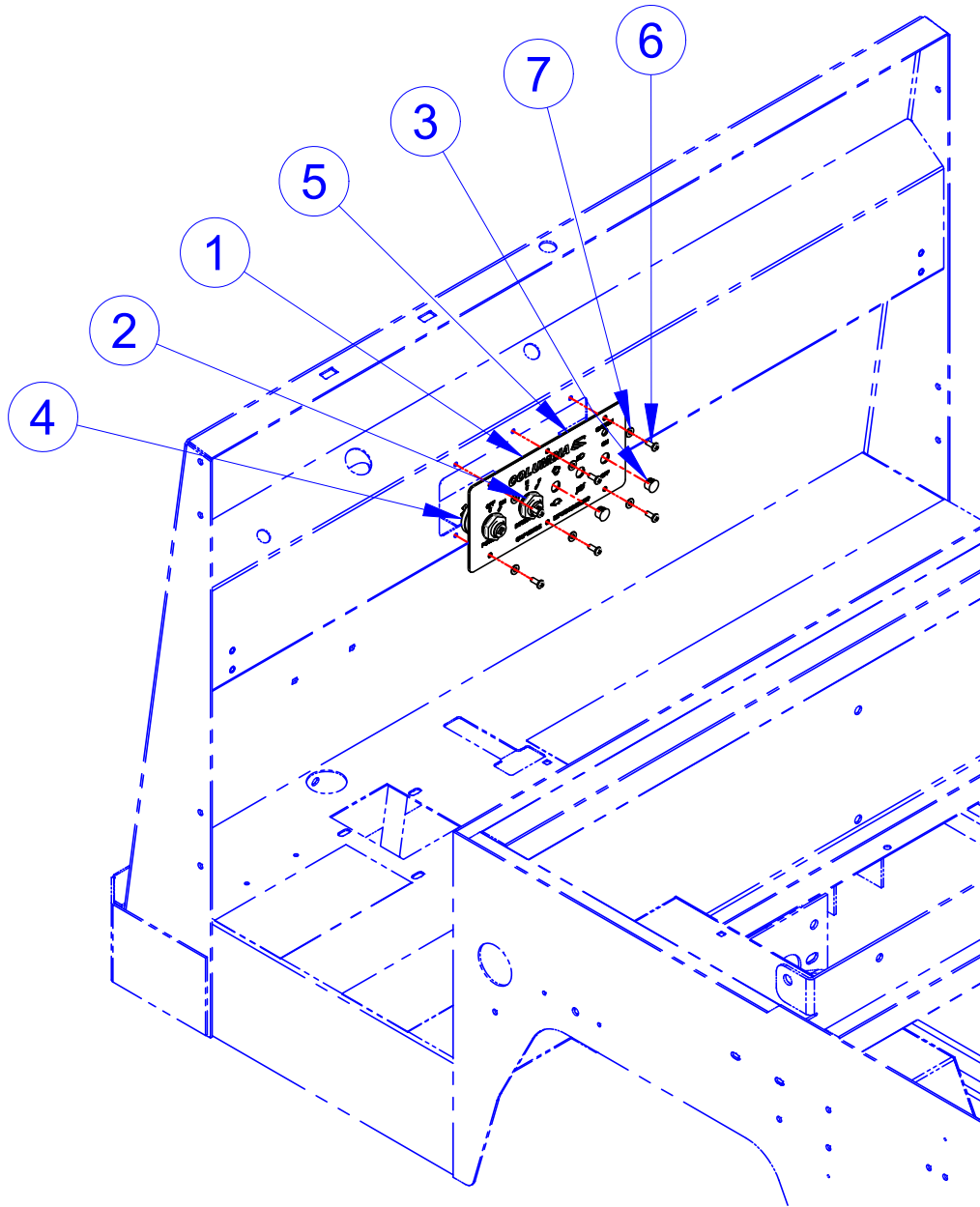
BATTERY TRAY, 48V



ITEM	PART #	DESCRIPTION	QTY	REF #
1	310015	WLDMT, BATTERY BOX, ROLLOUT	1	310015
2	467723	ASM, CONNECTOR, BC BATTERY	1	467723
3	709004	CABLE, 4 GA X 8.75, 5/16 TERMINALS	7	709004
4	709059	ROD, BATTERY HOLD DOWN	3	709059
5	709196	HOLD-DOWN, BATTERY	1	709196
6	719229	BATTERY, 6V, DEEP CYCLE, (US-2200)	8	719229
7	719786	WASHER FLT STAINLESS .28X1.375X.06	3	719786
8	719876	NUT, 1/4-20, L/N, NYL, NE, 316, S/S	3	719876
9	739546	DECAL BATTERY BOX WARNING	1	739546

NOTE: Items with * in tables indicates parts not shown in drawing

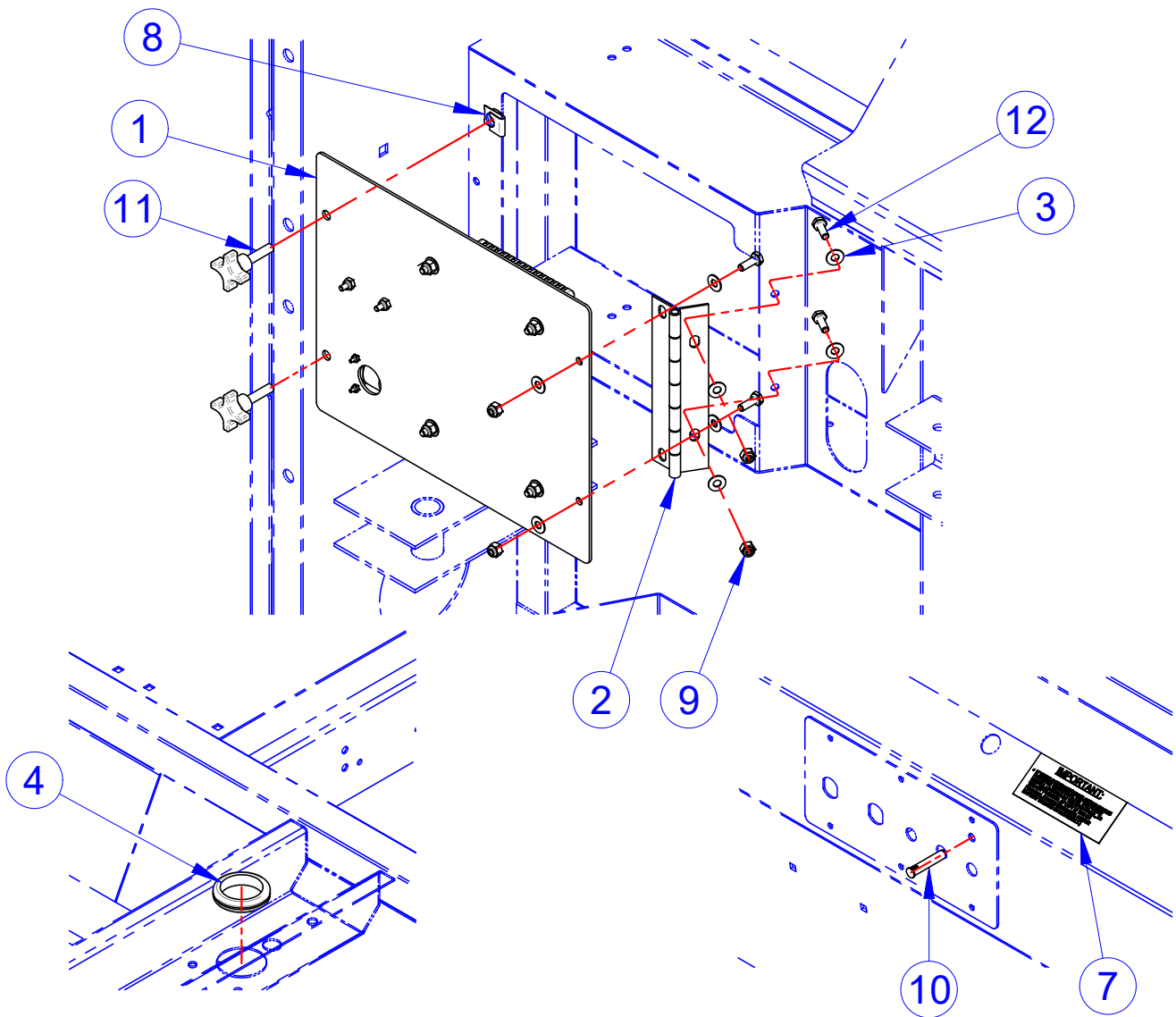
POWER SWITCH A



ITEM	PART #	DESCRIPTION	QTY	REF #
1	514498	PANEL, DASH, BC, LED SYS LGHT	1	514498
2	709040	KEYSWITCH, UNIVERSAL "A" W/HRDWR	1	709040
3	719798	PLUG 1/2 HOLE BLACK HEYCO #2643	2	719798
4	759706	KEYSWITCH, PWR, 2-POS, "A" W/HRDWR	1	759706
	759722	KEYSWITCH,PWR, 2-POS,"B" KEY,W/HWD	1	759722
	759723	KEYSWITCH,PWR, 2-POS,"C" KEY,W/HWD	1	759723
	759724	KEYSWITCH,PWR, 2-POS,"D" KEY,W/HWD	1	759724
	759721	KEYSWITCH,PWR, 2-POS,"E" KEY,W/HWD	1	759721
5	760768	OVERLAY, DASHBOARD, BC, SEP EX, LED	1	760768
6	761632	SCREW, #10-24X1/2" PPH GRD 18-8 SS	6	761632
7	782722	WSHR, #10 X 0.438 X 0.031, F/W, 18-8SS	6	782722

NOTE: Items with * in tables indicates parts not shown in drawing

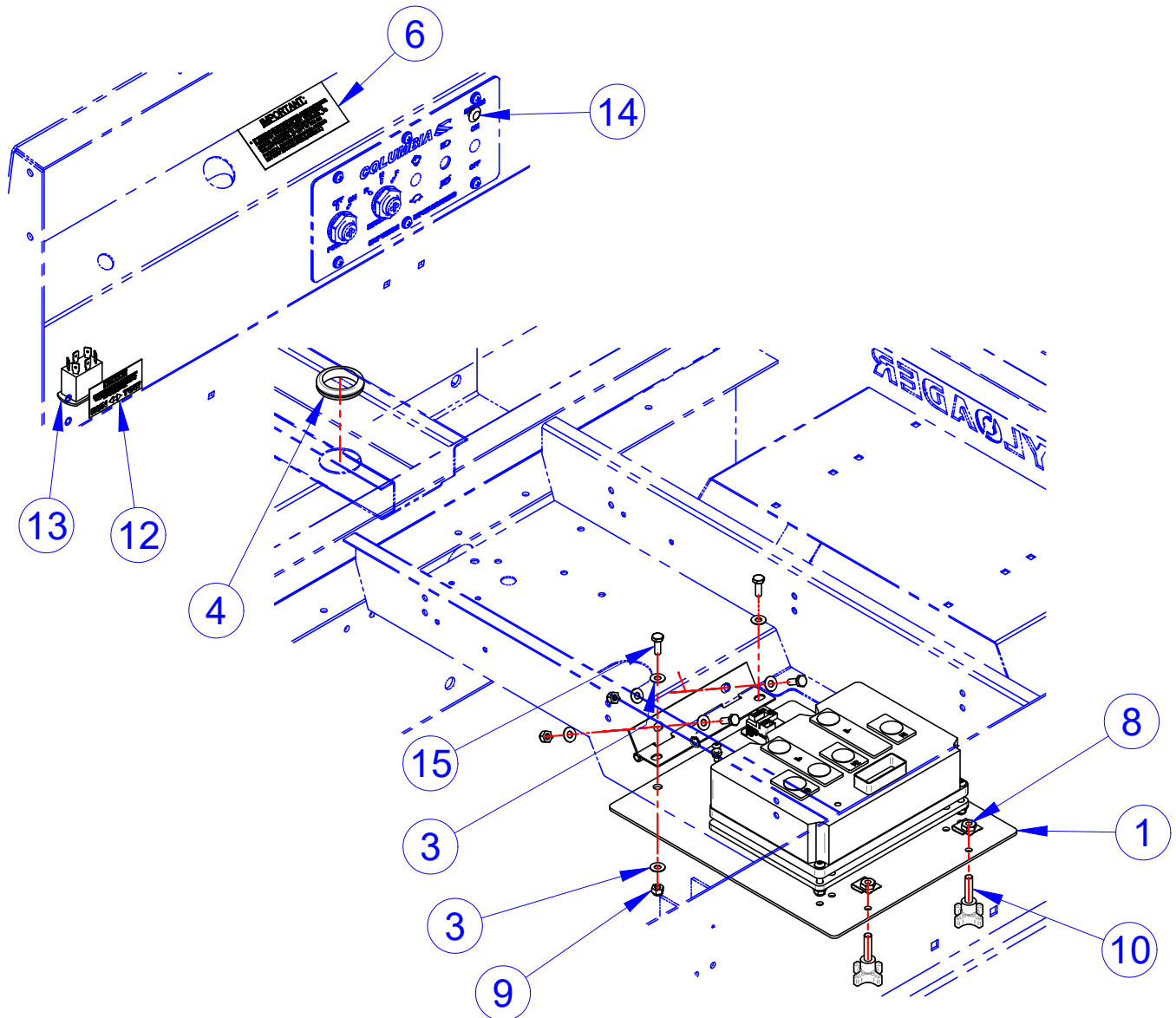
POWER SYSTEM, ACE+



ITEM	PART #	DESCRIPTION	QTY	REF #
1	467858	ASSY, DC CNTRL, CHAN MT, PL	1	467858
2	1017494	SEAT HINGE SUPERSEDES 516899	1	1017494
3	708511	WASHER, FLAT, 1/4", 18-8SS	8	708511
4	709346	GROMMET, 1-1/2"ID, 1/16"X1-3/4" HOLE	1	709346
5*	709754	LABEL SET, BURDEN CARRIER	1	709754
6*	719355	MOLDING, BLACK	2	719355
7	719426	DECAL, SWITCH SET POSITION	1	719426
8	719537	NUT, TINNEMAN C33953-5618-4 ZINC	2	719537
9	719876	NUT, 1/4-20, L/N, NYL, NE, 316, S/S	4	719876
10	759932	INDICATOR, LED, SERIES 22	1	759932
11	760023	KNOB - 5/16-18 X1 1/2 LG	2	760023
12	782784	SCREW, 1/4-20X3/4, HHCS, 18-8SS	4	782784

NOTE: Items with * in tables indicates parts not shown in drawing

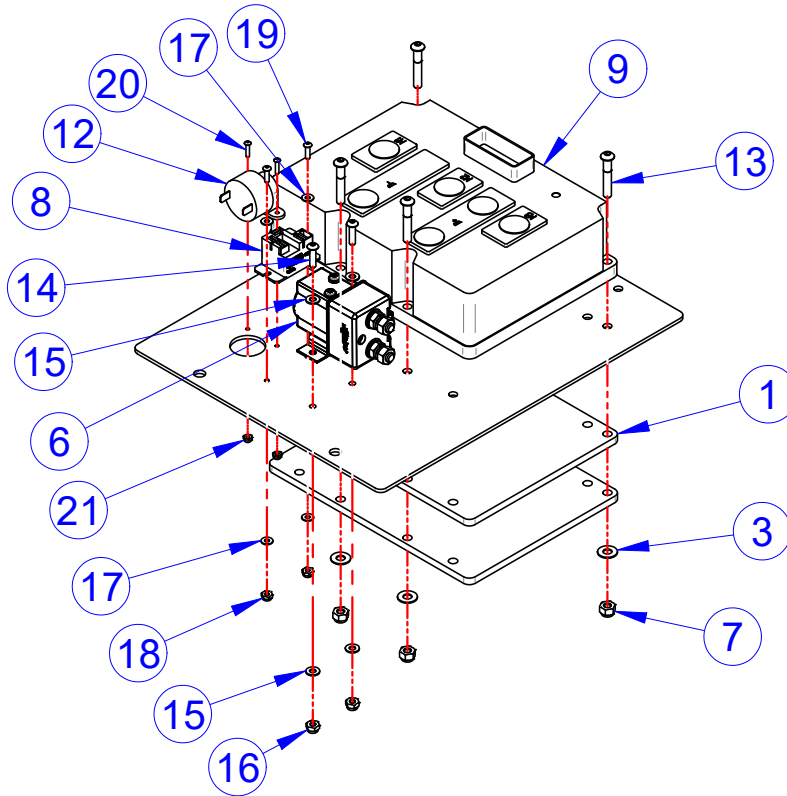
450A AC CONTROLLER



ITEM	PART #	DESCRIPTION	QTY	REF #
1	468332	ASSY, 450A AC CONTROLLER, PL-SUP (193505A)	1	468332
2*	1017494	SEAT HINGE SUPERSEDES 516899	1	1017494
3	708511	WASHER, FLAT, 1/4", 18-8SS	8	708511
4	709346	GROMMET, 1-1/2"ID, 1/16"X1-3/4" HOLE	1	709346
5*	709754	LABEL SET, BURDEN CARRIER	1	709754
6	719426	DECAL, SWITCH SET POSITION	1	719426
7*	719504	CABLE TIE, BLACK, .18X11-3/4, STD, 50LB	2	719504
8	719537	NUT, TINNERMAN C33953-5618-4 ZINC	2	719537
9	719876	NUT, 1/4-20, L/N, NYL, NE, 316, S/S	4	719876
10	760023	KNOB - 5/16-18 X1 1/2 LG	2	760023
11*	760121	CABLE TIE, 0.30 X 8, 120 LB	1	760121
12	761695	LABEL, RUN/TOW, BC	1	761695
13	761702	SWITCH, BRK BYPASS, SEALED	1	761702
14	781642	PIP PLUG, SAE 3/8"	1	781642
15	782784	SCREW, 1/4-20X3/4, HHCS, 18-8SS	4	782784

NOTE: Items with * in tables indicates parts not shown in drawing

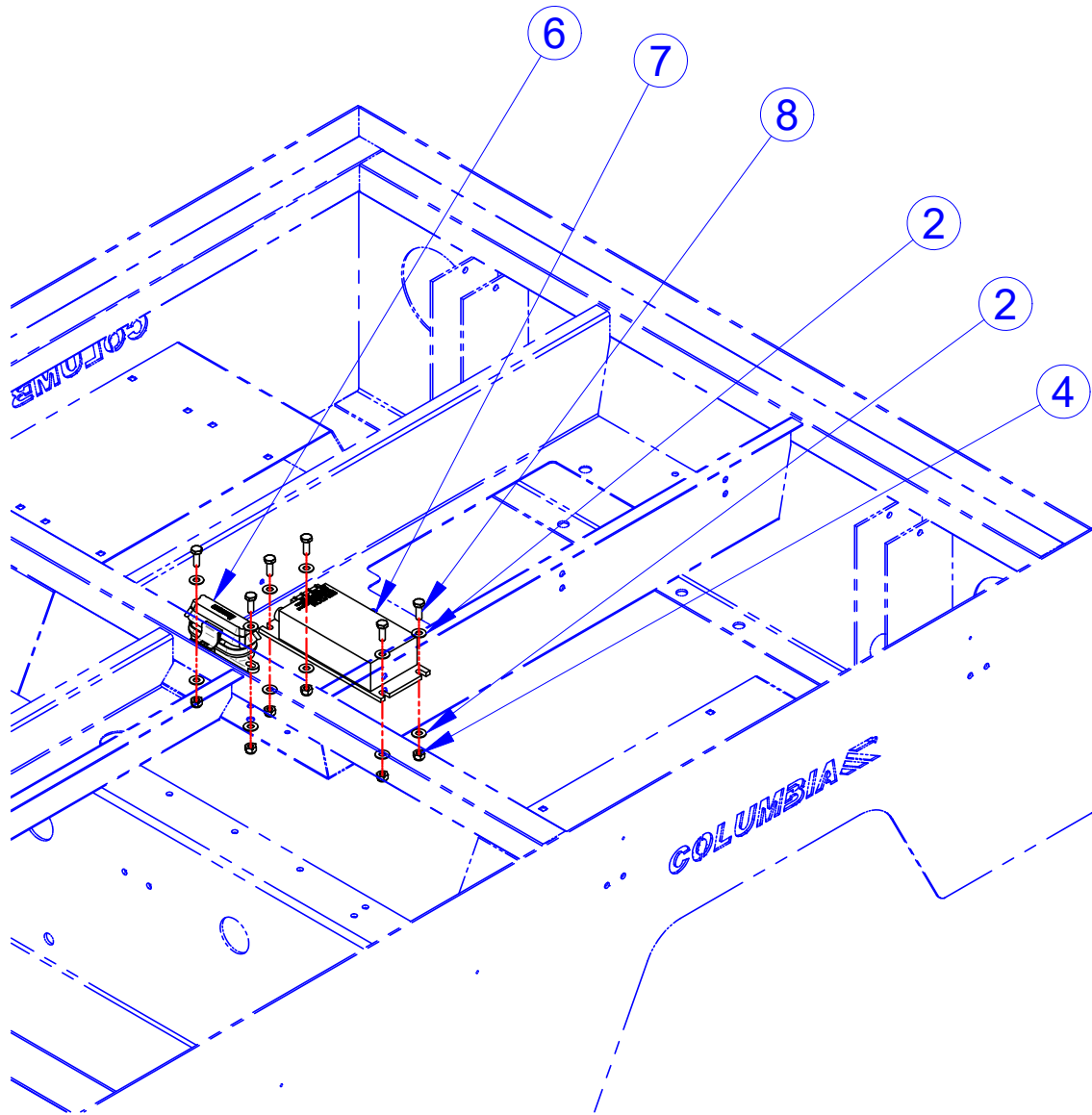
AC CONTROL, 450A



ITEM	PART #	DESCRIPTION	QTY	REF #
1-21	468332	ASM, 450 A AC CONTROLLER,PL-SUP	KIT	468332
1	515379	PLATE, HEAT SINK	2	515379
2*	515761	PANEL, CNTLR, 450A AC, PL	1	515761
3	708511	WASHER, FLAT, 1/4", 18-8SS	4	708511
4*	709004	CABLE, 4GA X 8.75", 5/16" TERM	1	709004
5*	709411	CABLE, 4GA X 61.50", 5/16" TERM	2	709411
6	193853U	KIT, CONTACTOR, 48V	1	193853
7	719876	NUT, 1/4-20, L/N, NYL, NE, 316, S/S	4	719876
8	759829	RELAY, 48VDC, SPSTNO, 20	1	759829
9	194098U	KIT, CONTROLLER, SEVCON 450A, AC	1	194098
10*	761057	HARNESS - SEVCON AC, BC	1	761057
11*	761063	CABLE, MOTOR, SEVCON AC, 25.5"	3	761063
12	761720	BUZZER, REVERSE, CONT	1	761720
13	782707	SCR, 1/4-20 X 1.5, BSHCS, 18-8, S/S	4	782707
14	782708	SCR, #10-32 X 0.75, BSHCS, 18-8, S/S	2	782708
15	782722	WSHR, #10 X 0.438 X 0.031, F/W, 18-8SS	4	782722
16	782723	NUT, #10-32, L/N, NYL, NM, 18-8, S/S	2	782723
17	782737	WSHR, #6 X 0.375 X 0.031, F/W, 18-8 S/S	4	782737
18	782738	NUT, #6-32, L/N, NYL, NM, 18-8, S/S	2	782738
19	782744	SCR, #6-32 X 0.5, BSHCS, 18-8, S/S	2	782744
20	782883	SCR, #4-40 X 0.5, BSHCS, 18-8, S/S	2	782883
21	782884	NUT, #4-40, L/N, NYL, NM, 18-8, S/S	2	782884

NOTE: Items with * in tables indicates parts not shown in drawing

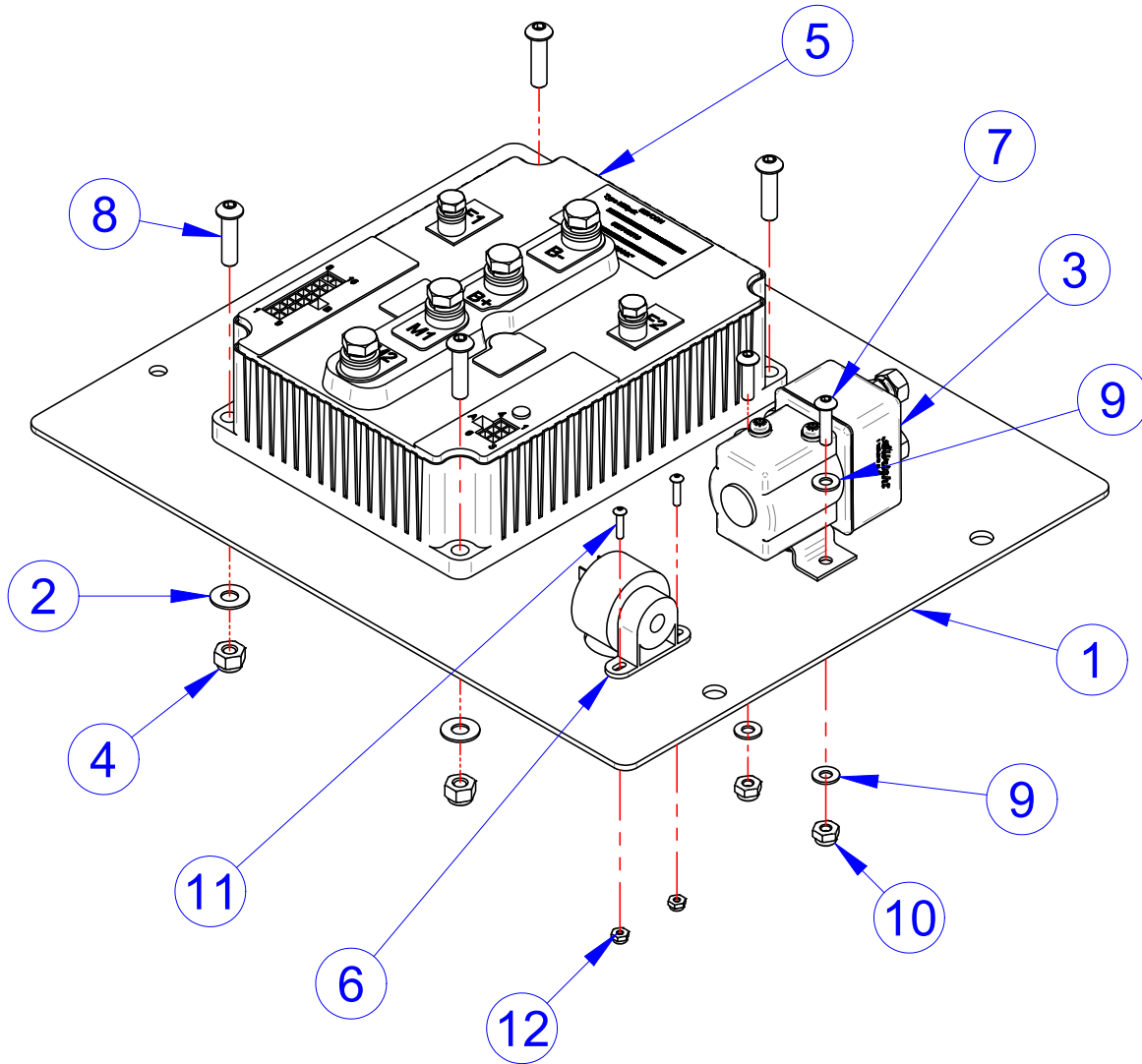
DC/DC CONVERTER



ITEM	PART #	DESCRIPTION	QTY	REF #
1-8	191727U	P&A KIT, BC DC/DC CONVERTER	KIT	191727
1*	467618	HARNESS, DC/DC EXTENSION, PL	1	467618
2	708511	WASHER, FLAT, 1/4", 18-8SS	12	708511
3*	719504	CABLE TIE, BLACK, .18X11-3/4, STD, 50LB	8	719504
4	719876	NUT, 1/4-20, L/N, NYL, NE, 316, S/S	6	719876
5*	759778	WIRE HARNESS, DC CONVERTER, SMT	1	759778
6	759792	BLOCK, POWER DISTRIBUTION	1	759792
7	760378	DC/DC CONVERTER - 12V OUT/INP 36/48V	1	760378
8	782784	SCREW, 1/4-20X3/4, HHCS, 18-8SS	6	782784

NOTE: Items with * in tables indicates parts not shown in drawing

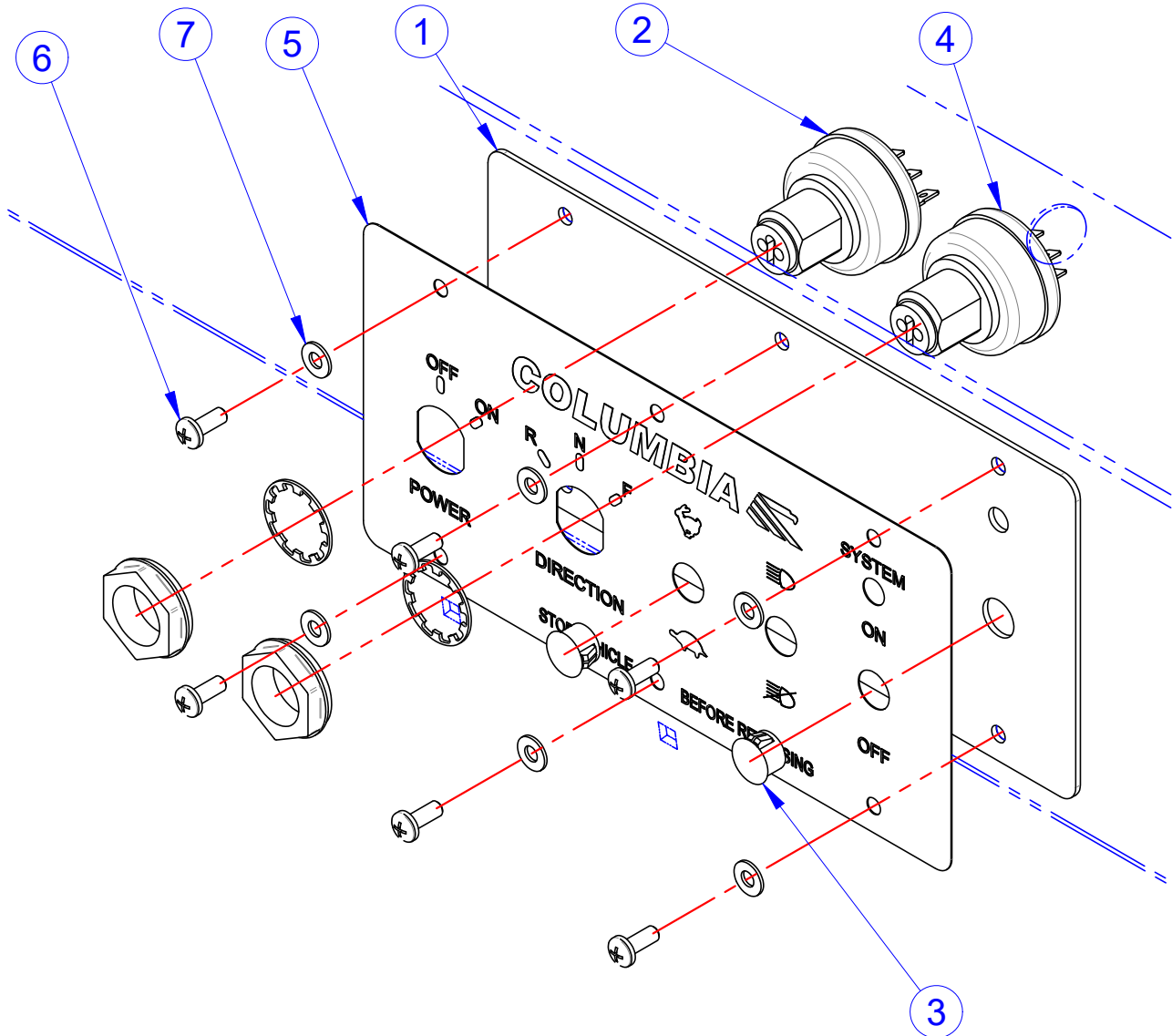
DC CONTROL CHANNEL MOUNT (HARDWARE)



ITEM	PART #	DESCRIPTION	QTY	REF #
1-12	467858	P&A, ASM, ACEPLUS PNL, CHNL MNT, PL	KIT	467858
1	520144	PANEL, CONTROLLER, DC, PL	1	520144
2	708511	WASHER, FLAT, 1/4", 18-8SS	4	708511
3	193852U	KIT, CONTACTOR, 24V	1	193852
4	719876	NUT, 1/4-20, L/N, NYL, NE, 316, S/S	4	719876
5	NONE	CNTRL, SEVCON REGEN, B, HP, 24-48V	1	NONE
6	1007229	BUZZER, REVERSE	1	1007229
7	782708	SCR, #10-32 X 0.75, BSHCS, 18-8, S/S	2	782708
8	782719	SCR, 1/4-20 X 1, BSHCS, 18-8, S/S	4	782719
9	782722	WSHR, #10 X 0.438 X 0.031, F/W, 18-8SS	4	782722
10	782723	NUT, #10-32, L/N, NYL, NM, 18-8, S/S	2	782723
11	782883	SCR, #4-40 X 0.5, BSHCS, 18-8, S/S	2	782883
12	782884	NUT, #4-40, L/N, NYL, NM, 18-8, S/S	2	782884

NOTE: Items with * in tables indicates parts not shown in drawing

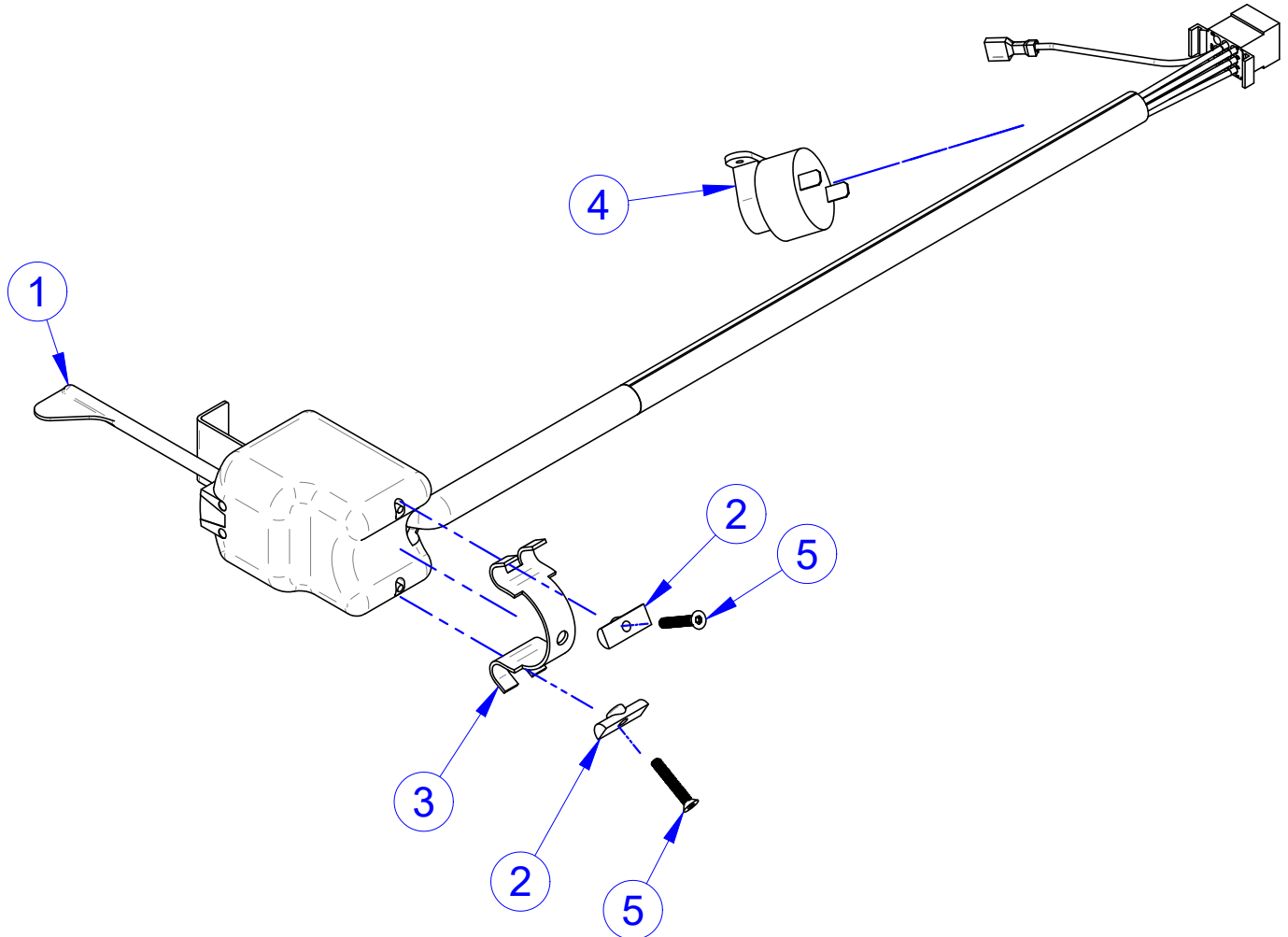
POWER SWITCH



ITEM	PART #	DESCRIPTION	QTY	REF #
1	514498	PANEL, DASH, BC, LED SYS LGHT	1	514498
2	709040	KEYSWITCH, UNIVERSAL "A" W/HRDWR	1	709040
3	719798	PLUG 1/2 HOLE BLACK HEYCO #2643	1	719798
4	759722	KEYSWITCH, PWR, 2-POS, "A" W/HRDWR	1	759722
5	760768	OVERLAY, DASHBOARD, BC, SEP EX, LED	1	760768
6	761632	SCREW, #10-24X1/2" PPH GRD 18-8 SS	1	761632
7	782722	WSHR, #10 X 0.438 X 0.031, F/W, 18-8SS	1	782722

NOTE: Items with * in tables indicates parts not shown in drawing

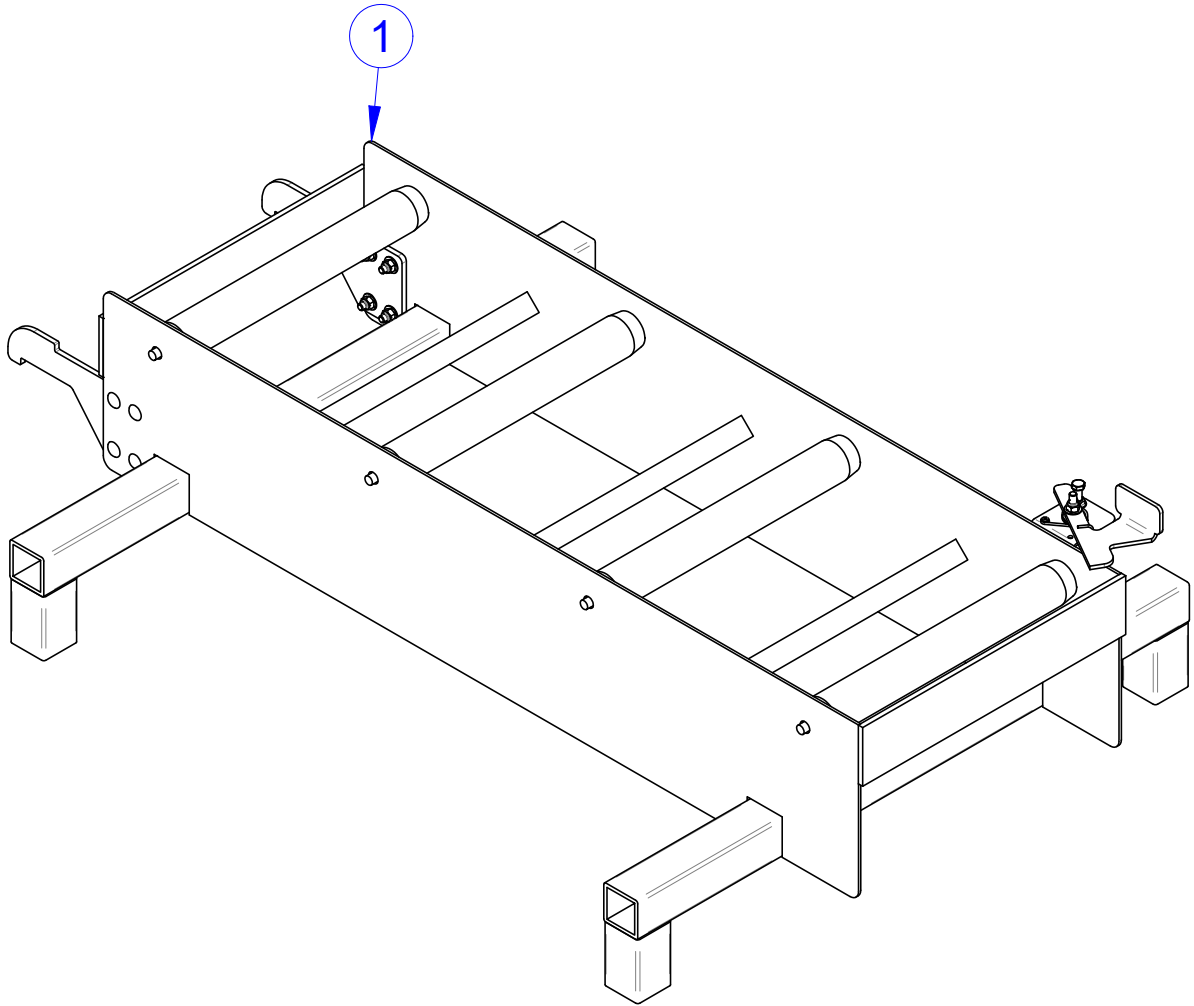
TURN SWITCH WITH BRACKET NO GROMMET



ITEM	PART #	DESCRIPTION	QTY	REF #
1-5	467591	P&A,ASM, TURN SWITCH W/BRKT NO GRMT	KIT	467591
1	467279	ASSY, TURN SWITCH, NO GROMMET	1	467279
2	467385	PAINTED ROCKER, TURN SWITCH BRACKET	2	467385
3	513705	TURN SWITCH BRACKET	1	513705
4	761720	BUZZER, REVERSE, CONT	1	761720
5	783106	SCR, #8-32 X 1, 6FMS, 18-8, SS	2	783106

NOTE: Items with * in tables indicates parts not shown in drawing

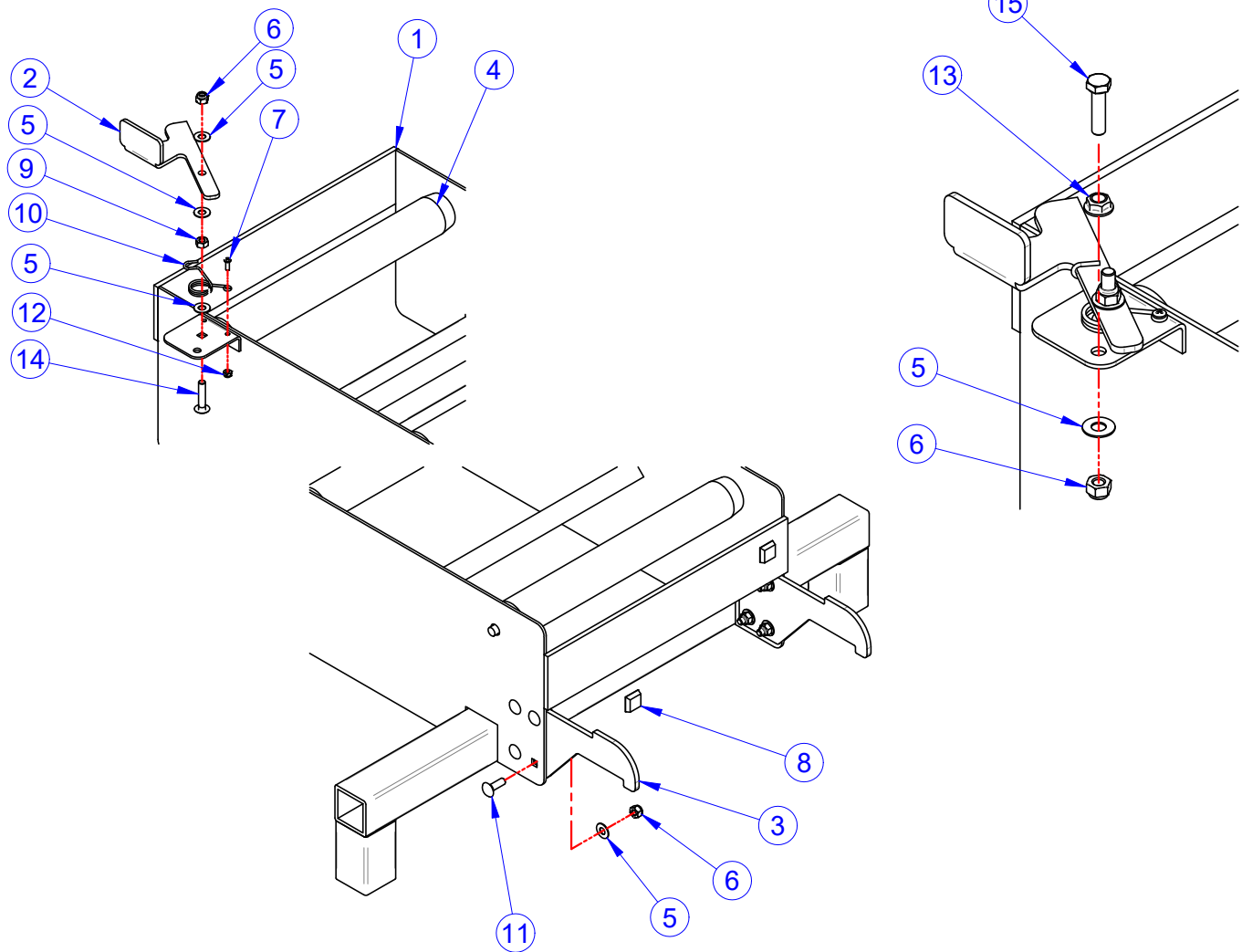
BOXED BATTERY TRANSFER STAND



ITEM	PART #	DESCRIPTION	QTY	REF #
1	467728	ASSY, TRANSFER STAND, PL	1	467728

NOTE: Items with * in tables indicates parts not shown in drawing

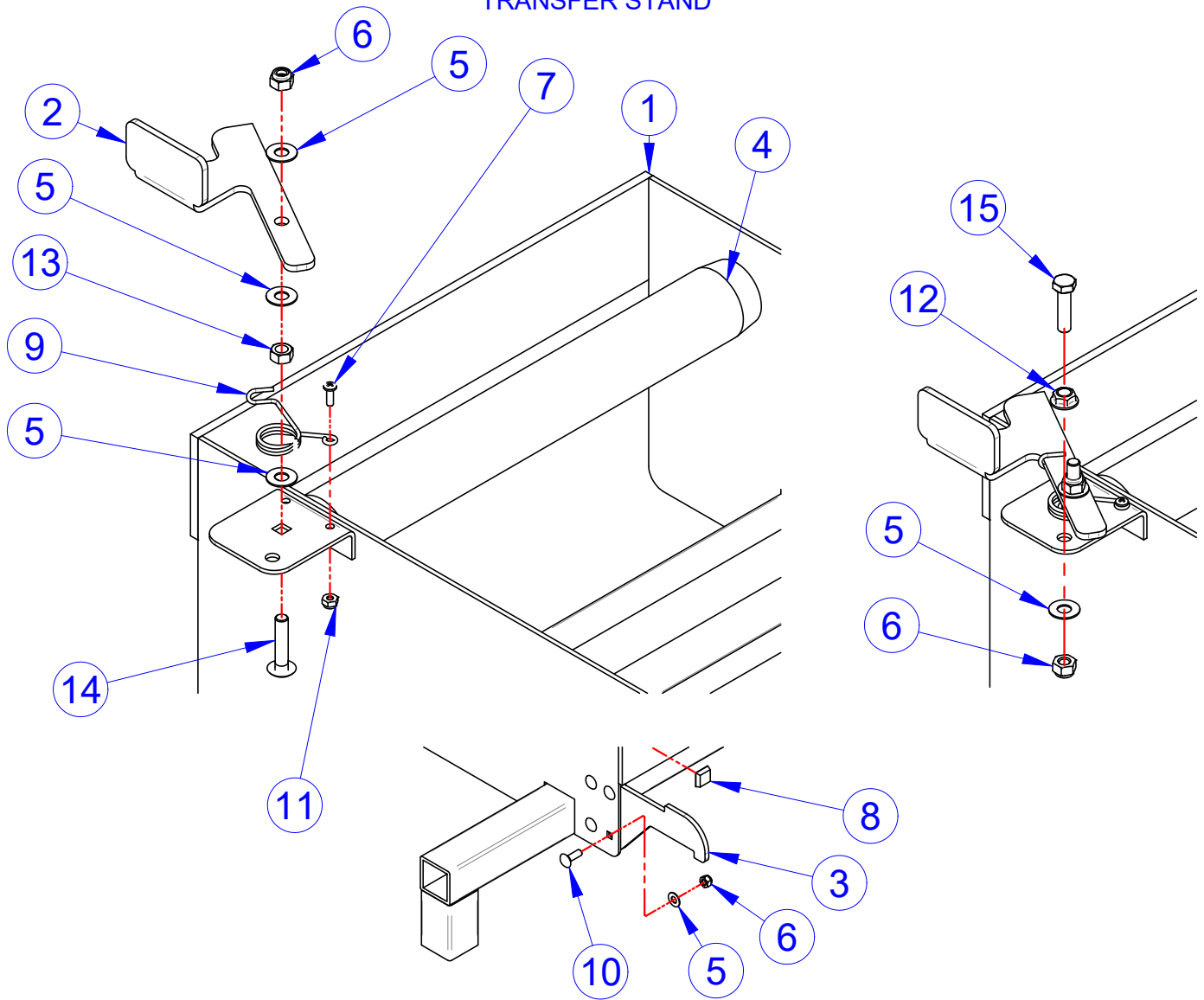
TRANSFER STAND



ITEM	PART #	DESCRIPTION	QTY	REF #
1	NONE	TRANSFER STAND, BATTERY - BC	1	NONE
2	NONE	LATCH, SAFETY, X-FER STAND	1	NONE
3	NONE	CATCH, BC X-FER STAND	2	NONE
4	719156	ROLLER, GRAVITY - 15.25"	4	719156
5	719375	WSHR,5/16X0.750X0.040,F/W,18-8S/S	12	719375
6	719377	NUT, 5/16-18, L/N, NYL, NE, 18-8SS	10	719377
7	719571	SCREW,#8-32X1/2,PPH,M/S,18-8,S/S	1	719571
8	719738	BUMPER BLACK 3M#SJ5023	2	719738
9	781785	NUT,5/16-18,FHEX,18-8 SS	1	781785
10	729083	SPRING ROTARY SWITCH	1	729083
11	761292	SCR,5/16-18X1.0,CARR,18-8S/S	8	761292
12	761630	NUT, #8-32, NILN, 18-8, SS	1	761630
13	781694	NUT, 5/16-18 HEX, FLANGE, SERR, S/S	1	781694
14	781787	SCREW,5/16-18X1-1/2,CARR,18-8 SS	1	781787
15	782841	SCREW,5/16-18X1-1/4,HHCS, 18-8SS	1	782841

NOTE: Items with * in tables indicates parts not shown in drawing

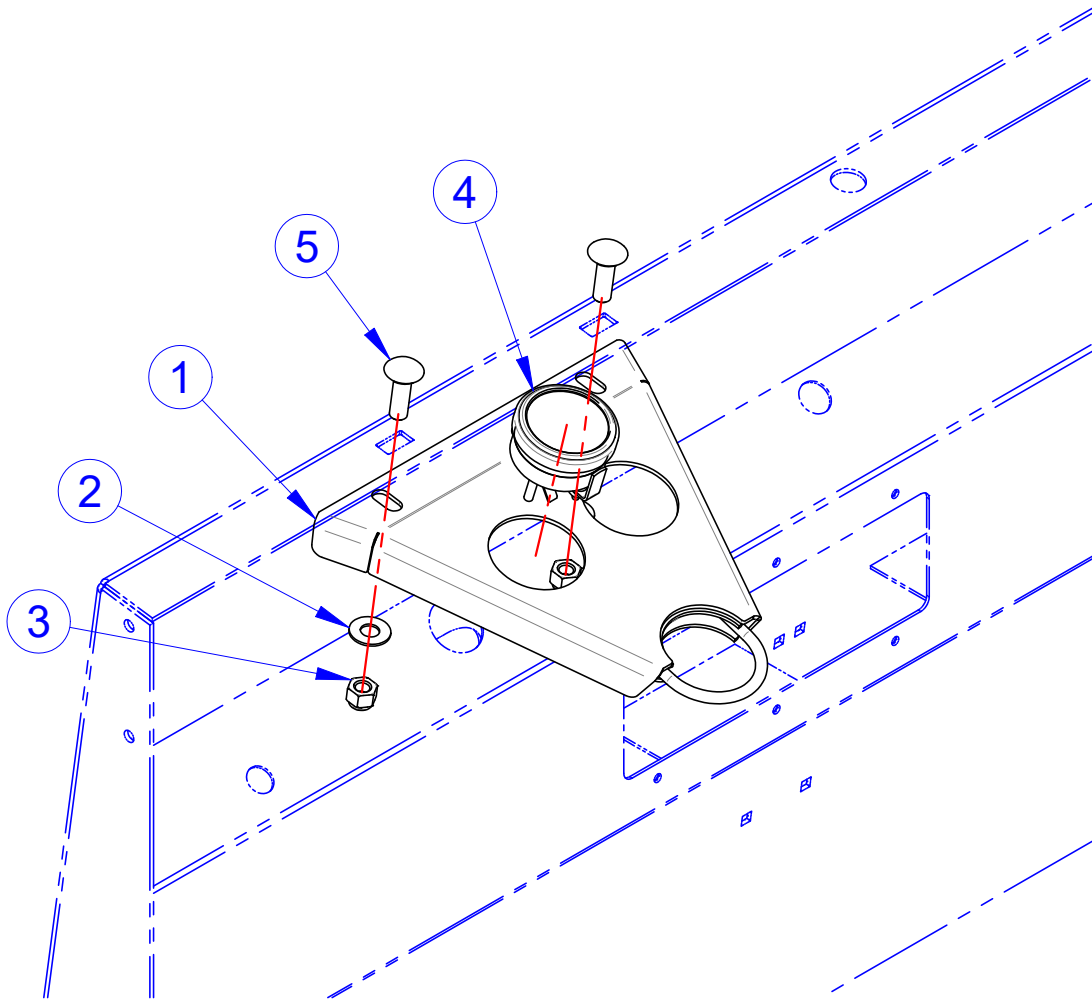
TRANSFER STAND



ITEM	PART #	DESCRIPTION	QTY	REF #
1-15	467728	P&A, ASM, TRANSFER STAND, PL	KIT	467728
1	NONE	TRANSFER STAND, BATTERY - BC	1	NONE
2	NONE	LATCH, SAFETY, X-FER STAND	1	NONE
3	NONE	CATCH, BC X-FER STAND	2	NONE
4	719156	ROLLER, GRAVITY - 15.25"	4	719156
5	719375	WSHR,5/16X0.750X0.040,F/W,18-8S/S	12	719375
6	719377	NUT, 5/16-18, L/N, NYL, NE, 18-8SS	10	719377
7	719571	SCREW,#8-32X1/2,PPH,M/S,18-8,S/S	1	719571
8	719738	BUMPER BLACK 3M#SJ5023	2	719738
9	729083	SPRING ROTARY SWITCH	1	729083
10	761292	SCR,5/16-18X1.0,CARR,18-8S/S	8	761292
11	761630	NUT, #8-32, NILN, 18-8, SS	1	761630
12	781694	NUT, 5/16-18 HEX, FLANGE, SERR, S/S	1	781694
13	781785	NUT,5/16-18,FHEX,18-8 SS	1	781785
14	781787	SCREW,5/16-18X1-1/2,CARR,18-8 SS	1	781787
15	782841	SCREW,5/16-18X1-1/4,HHCS, 18-8SS	1	782841

NOTE: Items with * in tables indicates parts not shown in drawing

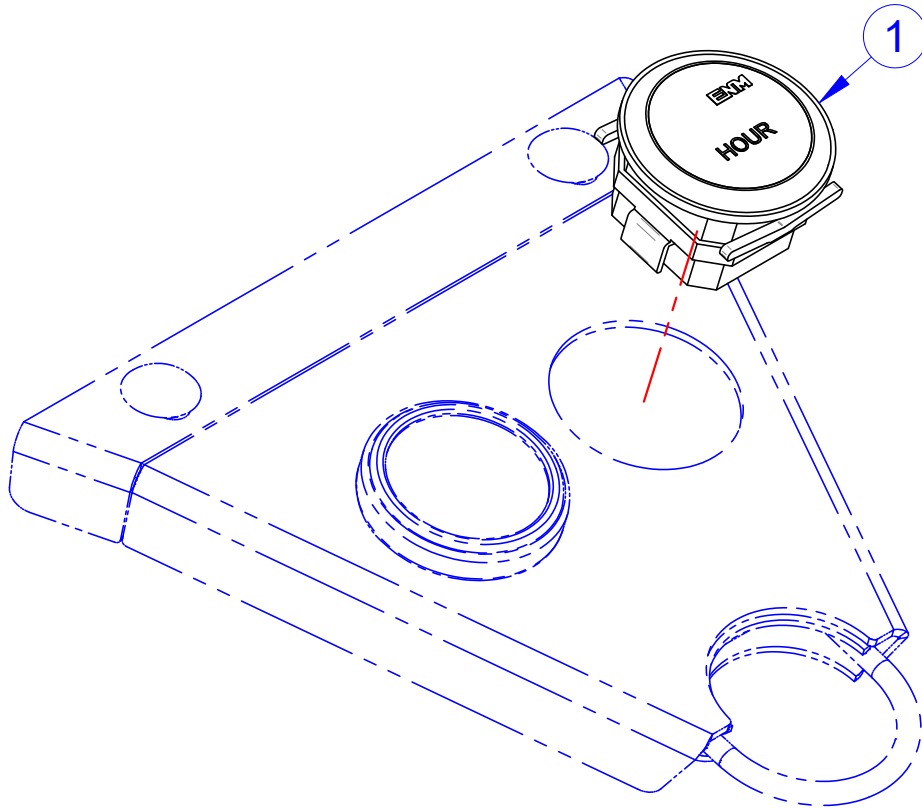
BDI METER



ITEM	PART #	DESCRIPTION	QTY	REF #
1	306117TB	WLDMT, UPR STRG CLMN SPRT	1	306117
2	708859	WASHER, 3/8, STD, FW, 18-8SS	2	708859
3	708860	NUT, 3/8-16, L/N, NYL, NE, 18-8, S/S	2	708860
4	759842	BDI, 48V - VOLTMETER STYLE	1	759842
	759874	GROUP, BDI METER, 36V, PL	1	759874
5	782724	SCR, 3/8-16 X 1.25, CARR, 18-8, S/S	2	782724

NOTE: Items with * in tables indicates parts not shown in drawing

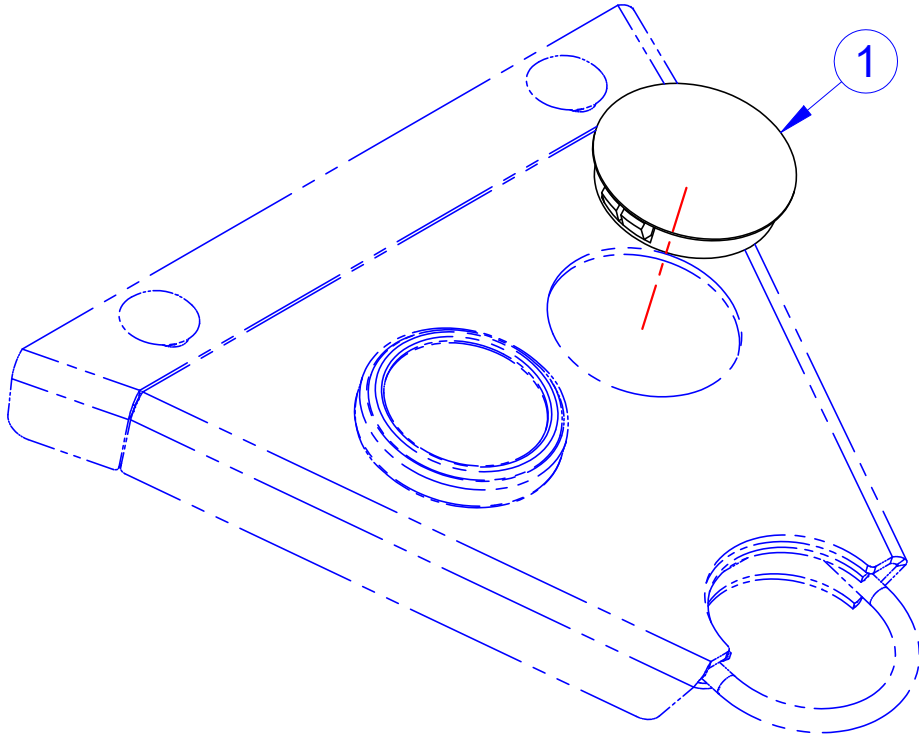
HOUR METER



ITEM	PART #	DESCRIPTION	QTY	REF #
1	709452	HOUR METER 10-80 VOLT DC	1	709452

NOTE: Items with * in tables indicates parts not shown in drawing

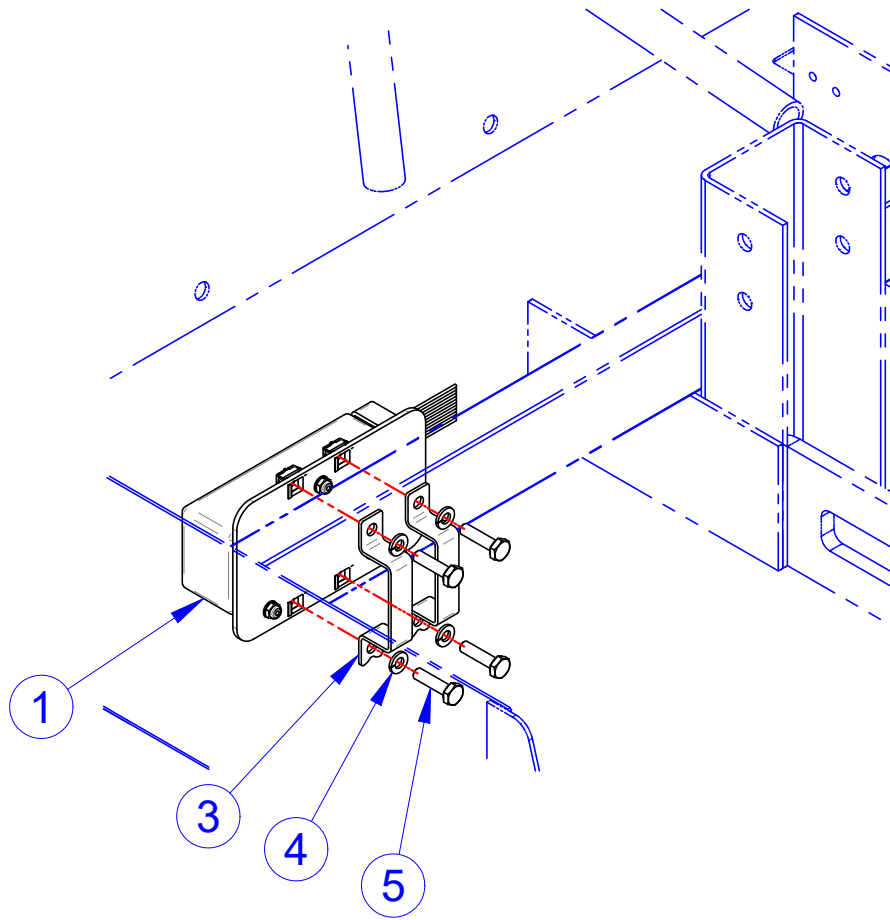
HOUR METER HOLE PLUG



ITEM	PART #	DESCRIPTION	QTY	REF #
1	719214	DOME PLUG, BLACK (FITS 2.00" HOLE)	1	719214

NOTE: Items with * in tables indicates parts not shown in drawing

TELEMATICS

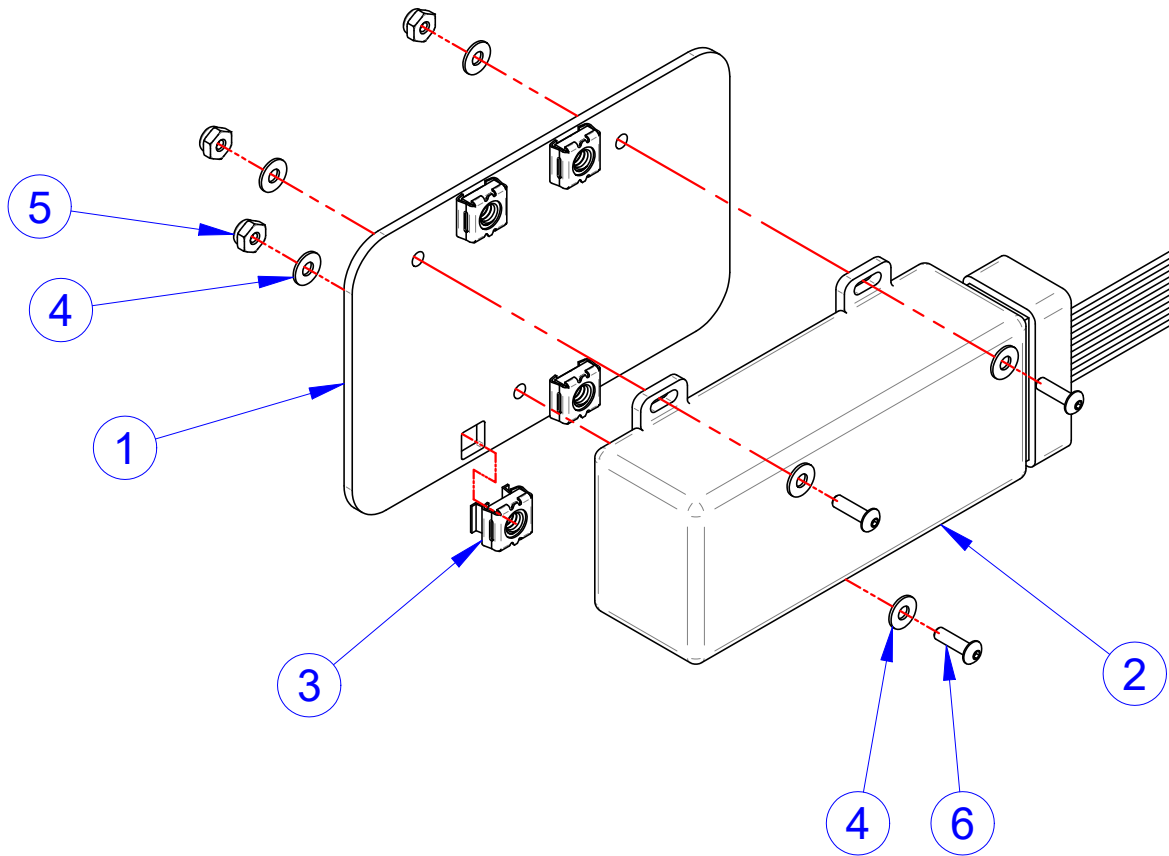


UNDERNEATH VIEW OF FRONT RH SIDE

ITEM	PART #	DESCRIPTION	QTY	REF #
1-5	193498U	P&A KIT, TELEMATICS, FULL, PL	KIT	193498A
1	468301	ASSY, VAM, FULL, PL	1	468301
2*	468302	HARNESS, VAM, PL	1	468302
3	518391	BRKT, VAM, PL	2	518391
4	719378	WSHR, 1/4 (M6), L/W, SPLIT, 18-8, S/S	4	719378
5	782785	SCREW, 1/4-20X1.0, HHCS, 18-8SS	4	782785

NOTE: Items with * in tables indicates parts not shown in drawing

FULL VAM



ITEM	PART #	DESCRIPTION	QTY	REF #
1	518390	PLATE, VAM MT, PL	1	518390
2	468301	ASM, VAM FUL, PL	1	761836
3	782339	NUT, 1/4-20, CAGE, 0.093-0.126, MAGNI 525	4	782339
4	782737	WSHR, #6 X 0.375 X 0.031, F/W, 18-8 S/S	6	782737
5	782738	NUT, #6-32, L/N, NYL, NM, 18-8, S/S	3	782738
6	782744	SCR, #6-32 X 0.5, BSHCS, 18-8, S/S	3	782744

NOTE: Items with * in tables indicates parts not shown in drawing



COLUMBIA

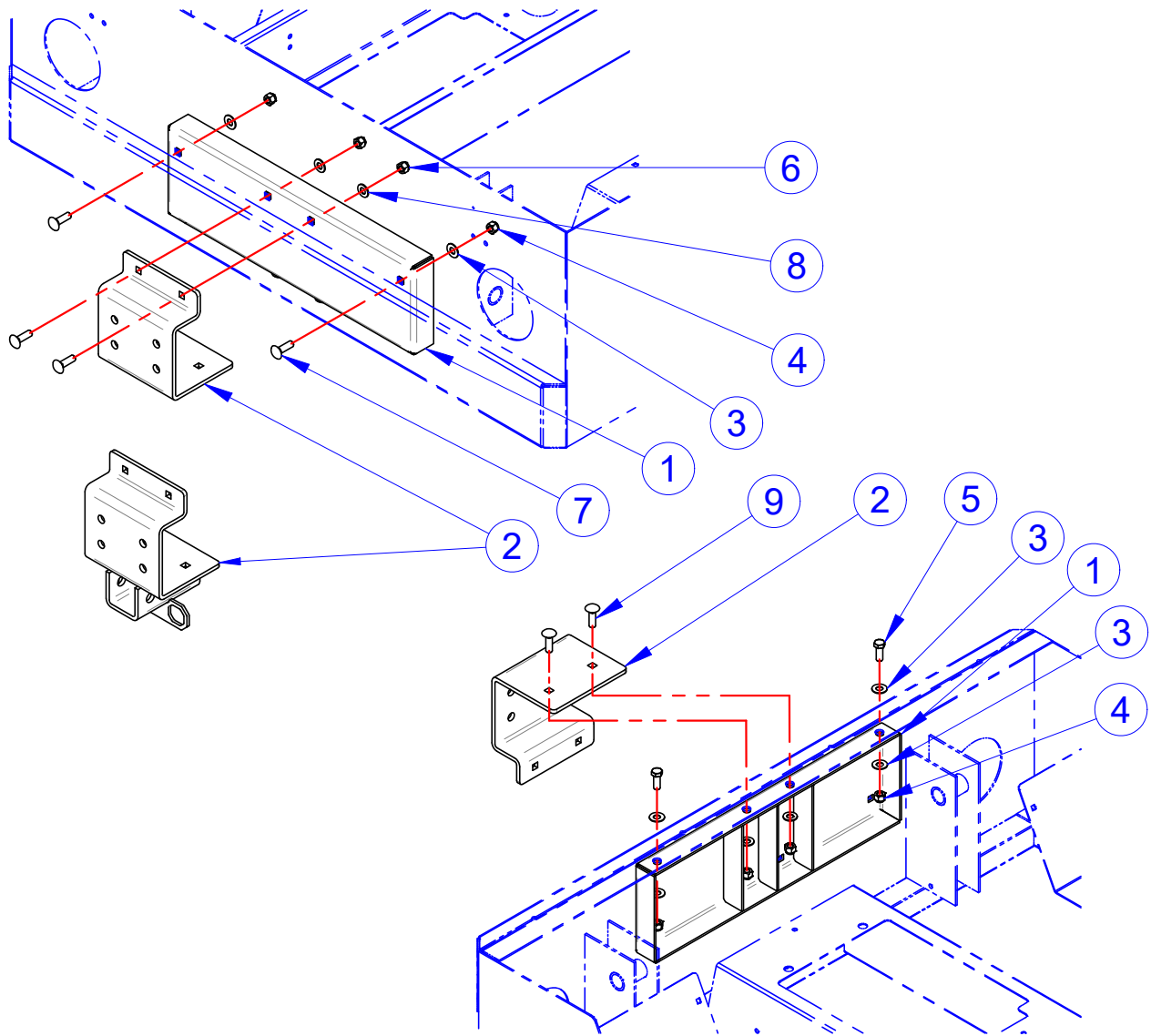
PAYLOADER

PARTS MANUAL SECTION 7

ACCESSORIES



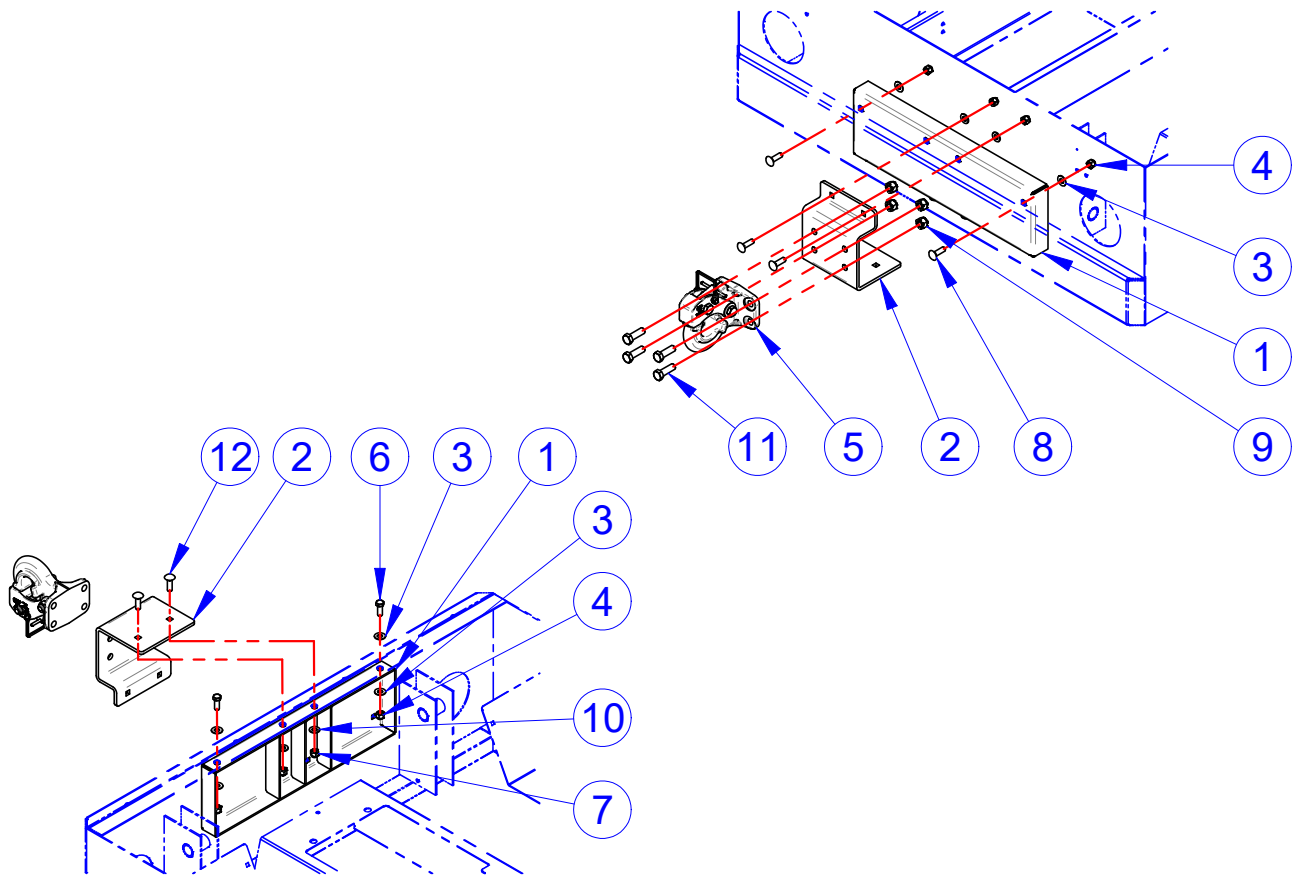
REAR HITCH MOUNTING PLATE



ITEM	PART #	DESCRIPTION	QTY	REF #
1-9	190624U	P&A KIT, GRP, PL HITCH MNTING PLATE (515810)	KIT	190624A
	192717U	P&A, REAR RCVR HITCH, BC (312208)	KIT	192717A
1	313819	WLDMNT, REINF MTG BRKT	1	313819
2	312208TB	WLDMNT, BC, REAR RCVR, TB	1	312208
	515810TB	BRKT, BC HITCH MTG	1	515810
3	708859	WASHER, 3/8, STD, FW, 18-8SS	6	708859
4	708860	NUT, 3/8-16, L/N, NYL, NE, 18-8, S/S	4	708860
5	781786	SCR, 3/8-16 X 1, HHCS, 18-8SS	2	781786
6	782118	NUT, 3/8-16, L/N, NYL, NE, G8, MAGNI525	4	782118
7	782724	SCR, 3/8-16 X 1.25, CARR, 18-8, S/S	2	782724
8	782740	WSHR, 3/8(M10), SAE, F/W, G8, MAGNI525	4	782740
9	782870	SCR, 3/8-16 X 1.25, CARR, G8, MAGNI 525	4	782870

NOTE: Items with * in tables indicates parts not shown in drawing

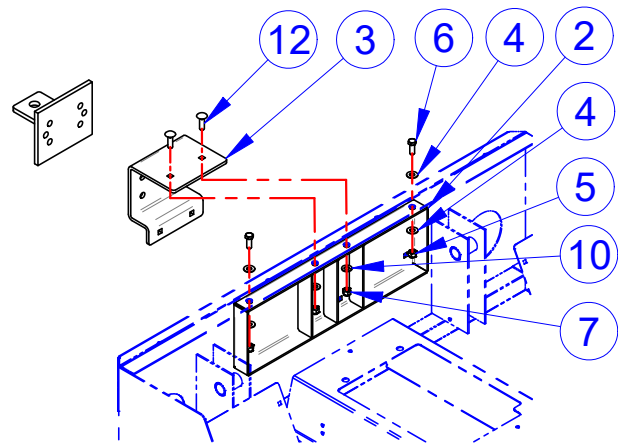
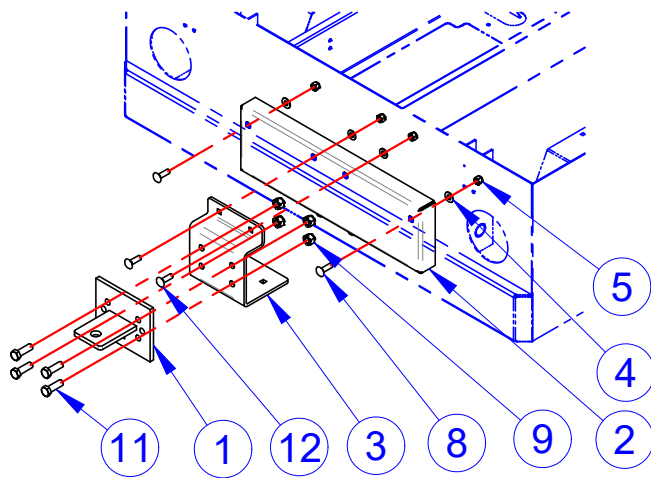
PINTLE HITCH



ITEM	PART #	DESCRIPTION	QTY	REF #
1-12	190625U	P&A KIT, GRP, PL HITCH MNTING PLATE	KIT	190625A
1	313819	WLDMNT, REINF MTG BRKT	1	313819
2	515810TB	BRKT, BC HITCH MTG	1	515810
3	708859	WASHER,3/8,STD,FW,18-8SS	6	708859
4	708860	NUT, 3/8-16, L/N, NYL, NE, 18-8, S/S	4	708860
5	709833	HITCH, PINTLE HOOK, RIGID	1	709833
6	781786	SCR, 3/8-16 X 1, HHCS, 18-8SS	2	781786
7	782118	NUT,3/8-16,L/N,NYL,NE,G8,MAGNI525	4	782118
8	782724	SCR, 3/8-16 X 1.25, CARR, 18-8, S/S	2	782724
9	782739	NUT, 1/2-13, L/N, NYL, NE, G8, MAGNI 525	4	782739
10	782740	WSHR,3/8(M10),SAE,F/W,G8,MAGNI525	4	782740
11	782769	SCREW, 1/2-13 X 1-1/2, HHCS, G8, MAGNI 525	4	782769
12	782870	SCR, 3/8-16 X 1.25, CARR, G8, MAGNI 525	4	782870

NOTE: Items with * in tables indicates parts not shown in drawing

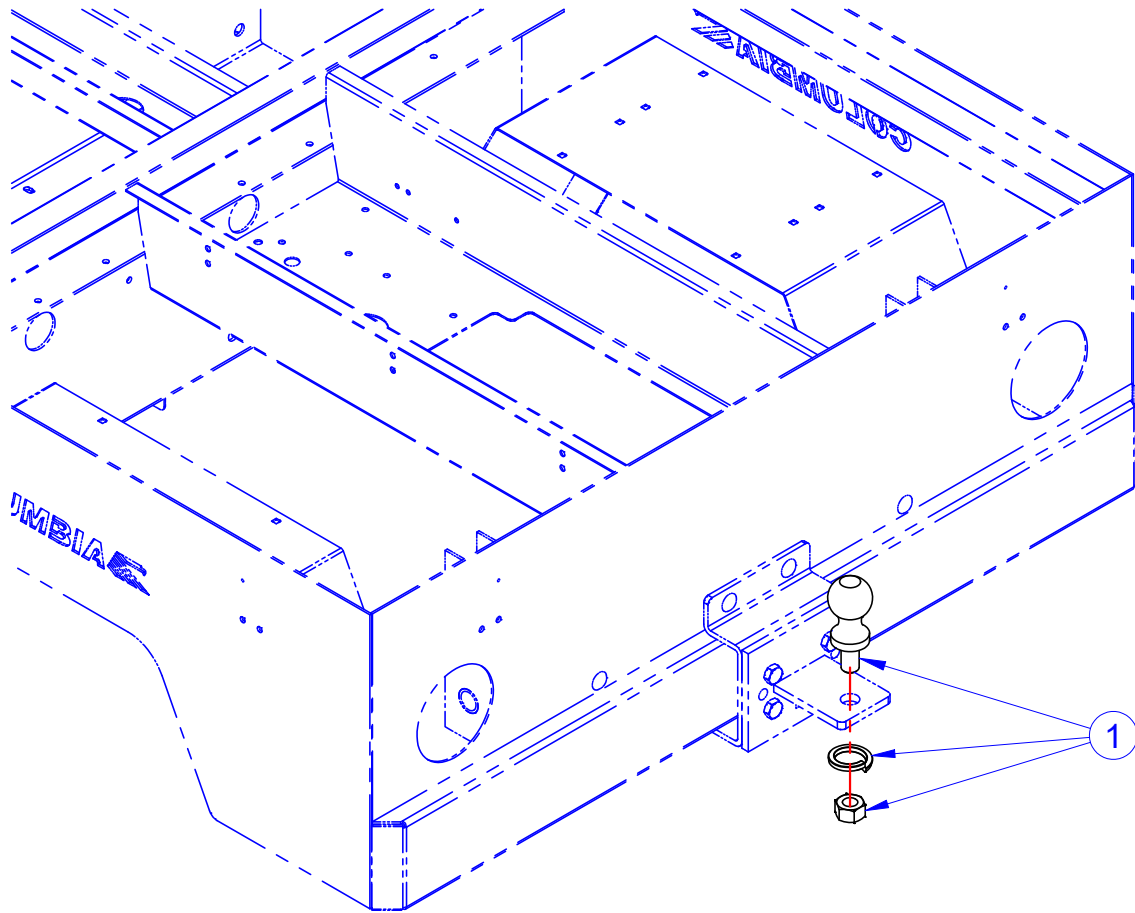
BALL-LESS HITCH



ITEM	PART #	DESCRIPTION	QTY	REF #
1-12	191171U	P&A KIT, PL HITCH. W/O BALL	KIT	191171A
1	317595TB	WLDMT, HITCH PLAT, PL, TXT BLK	1	317595
2	313819	WLDMNT, REINF MTG BRKT	1	313819
3	515810TB	BRKT, BC HITCH MTG	1	515810
4	708859	WASHER,3/8,STD,FW,18-8SS	6	708859
5	708860	NUT, 3/8-16, L/N, NYL, NE, 18-8, S/S	4	708860
6	781786	SCR, 3/8-16 X 1, HHCS, 18-8SS	2	781786
7	782118	NUT,3/8-16,L/N,NYL,NE,G8,MAGNI525	4	782118
8	782724	SCR, 3/8-16 X 1.25, CARR, 18-8, S/S	2	782724
9	782739	NUT, 1/2-13, L/N, NYL, NE, G8, MAGNI 525	4	782739
10	782740	WSHR,3/8(M10),SAE,F/W,G8,MAGNI525	4	782740
11	782769	SCREW, 1/2-13 X 1-1/2, HHCS, G8, MAGNI 525	4	782769
12	782870	SCR, 3/8-16 X 1.25, CARR, G8, MAGNI 525	4	782870

NOTE: Items with * in tables indicates parts not shown in drawing

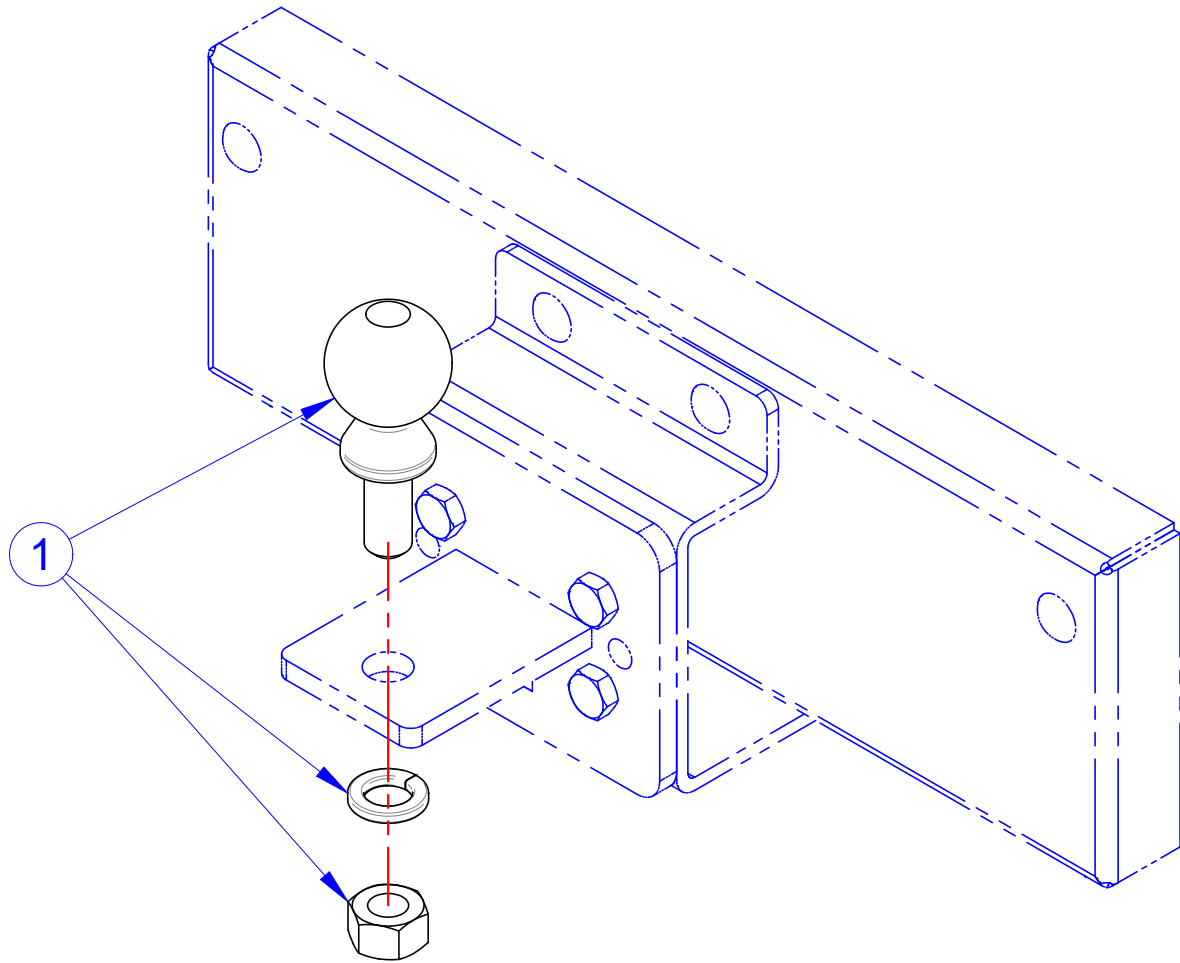
1.875" BALL



ITEM	PART #	DESCRIPTION	QTY	REF #
1	719008	TRAILER HITCH BALL - CHROME	1	719008

NOTE: Items with * in tables indicates parts not shown in drawing

2" BALL



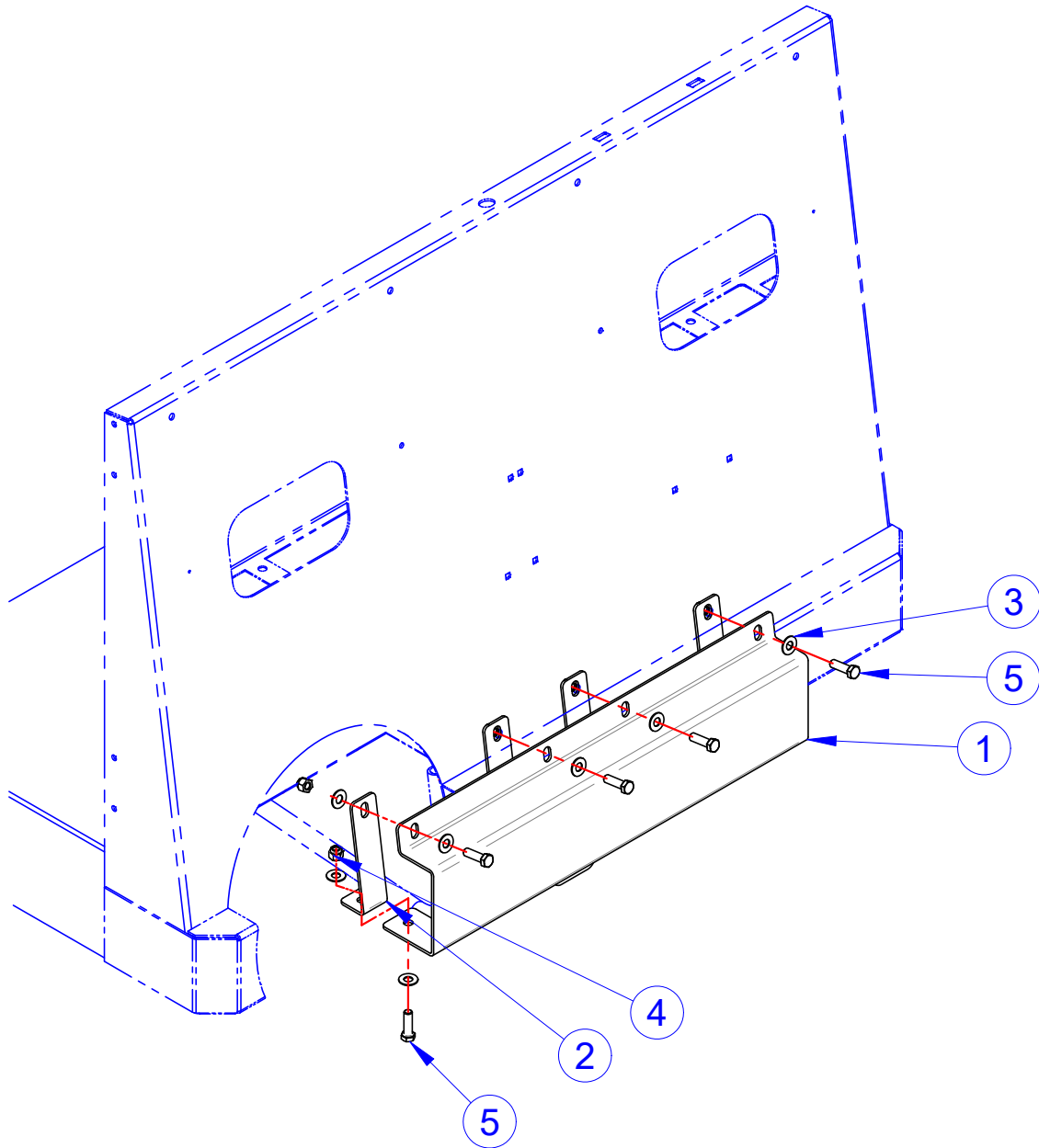
ITEM	PART #	DESCRIPTION	QTY	REF #
1	719207	BALL HITCH, 2"	1	719207

NOTE: Items with * in tables indicates parts not shown in drawing

Columbia Vehicle Group, Inc.
A Nordic Group Company | Business Ventures Since 1947



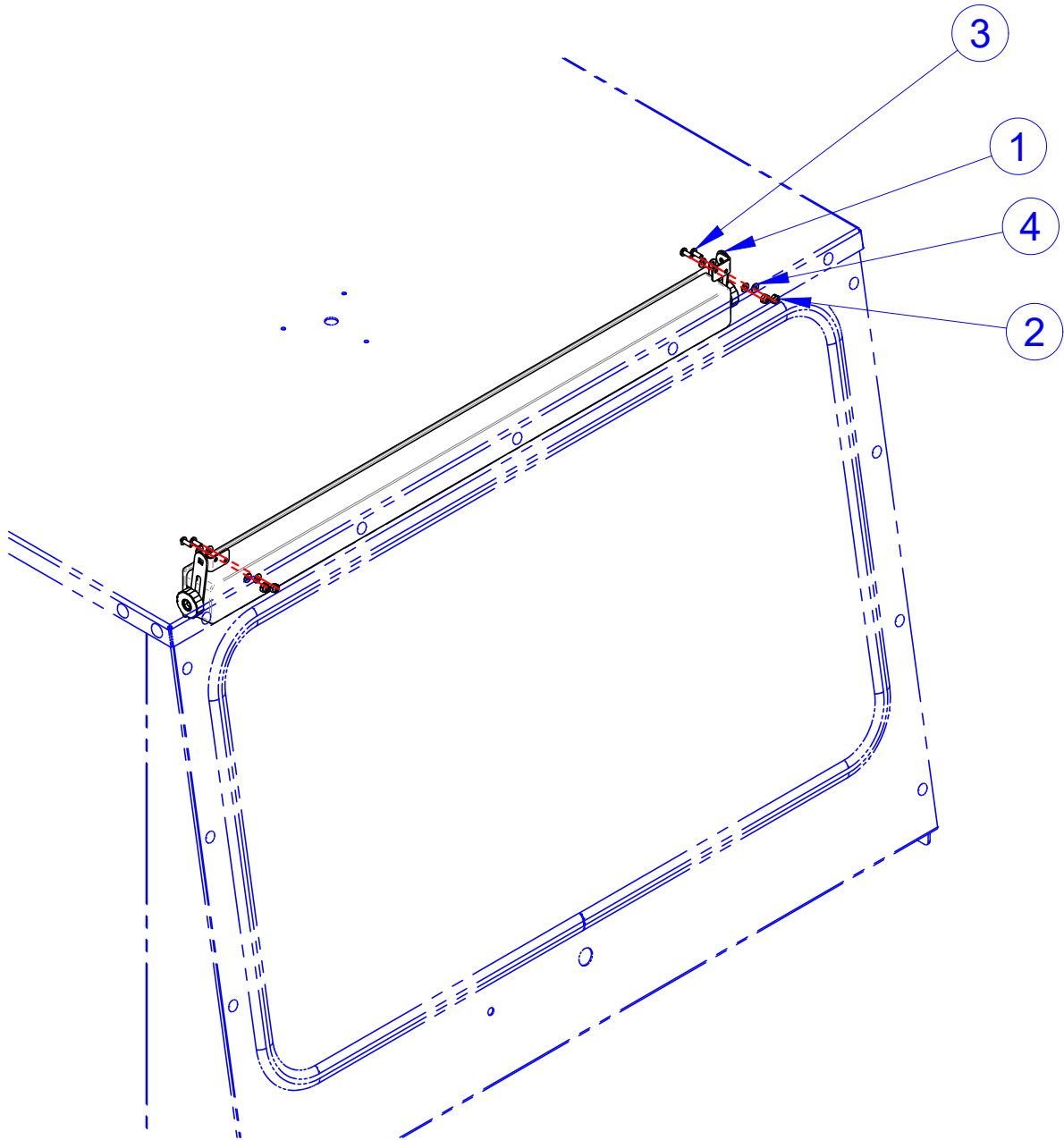
FRONT RECIEVER HITCH



ITEM	PART #	DESCRIPTION	QTY	REF #
1-5	192719U	P&A, PL FRONT RCVR HITCH	KIT	192719
1	312209TB	WLDMT, BC FRONT RCVR	1	312209
2	515812	BRKT, SPRT, BC FRONT RCVR	4	515812
3	708859	WASHER,3/8,STD,FW,18-8SS	16	708859
4	708860	NUT, 3/8-16, L/N, NYL, NE, 18-8, S/S	8	708860
5	782787	SCREW,3/8-16X1.25,HHCS,18-8SS	8	782787

NOTE: Items with * in tables indicates parts not shown in drawing

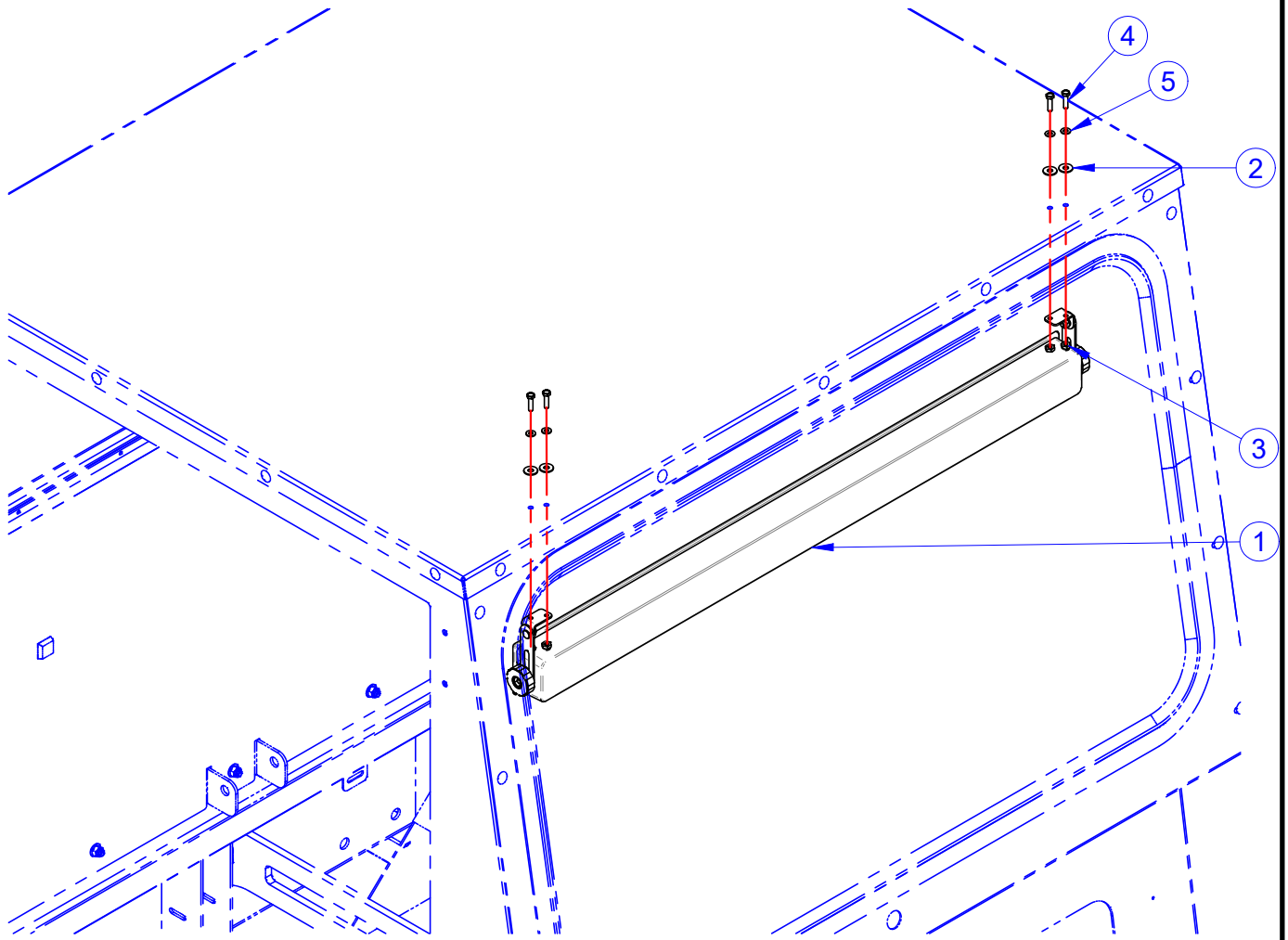
REAR-VIEW MIRROR, 5-PANEL, FOR TOP



ITEM	PART #	DESCRIPTION	QTY	REF #
1	709408	5 PANEL MIRROR	1	709408
2	761631	NUT, #10-24 GRD 18-8 NM SS NYLOCK	4	761631
3	761632	SCREW, #10-24X1/2" PPH GRD 18-8 SS	4	761632
4	782722	WSHR, #10 X 0.438 X 0.031, F/W, 18-8SS	8	782722

NOTE: Items with * in tables indicates parts not shown in drawing

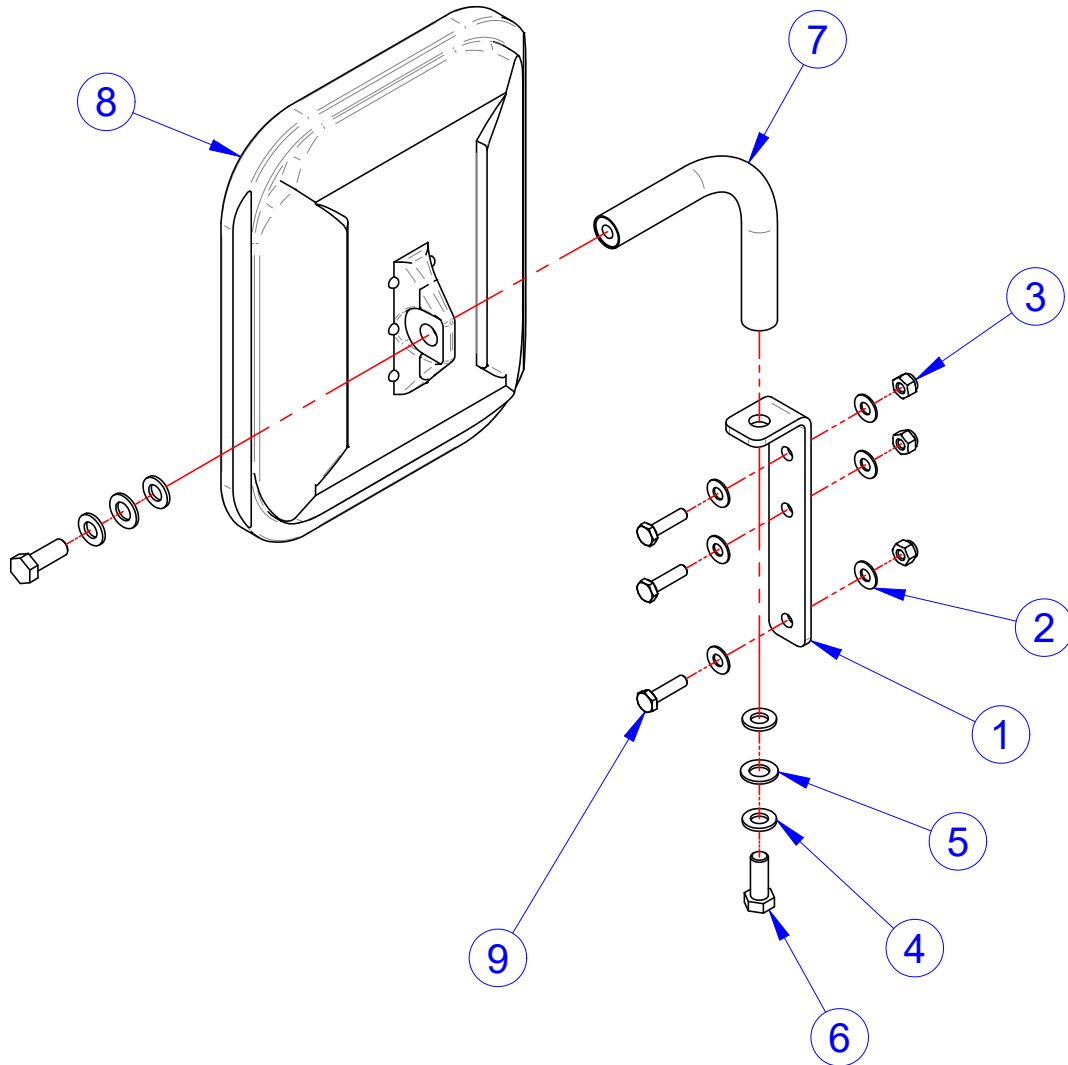
REAR-VIEW MIRROR, 5-PANEL, FOR CAB



ITEM	PART #	DESCRIPTION	QTY	REF #
1	709408	5 PANEL MIRROR	1	709408
2	719788	RUBBER WASHER, .25 ID	4	719788
3	761631	NUT, #10-24 GRD 18-8 NM SS NYLOCK	4	761631
4	761638	SCREW, 10-24X3/4, IHHMS, 18-8 SS	4	761638
5	782722	WSHR, #10 X 0.438 X 0.031, F/W, 18-8SS	4	782722

NOTE: Items with * in tables indicates parts not shown in drawing

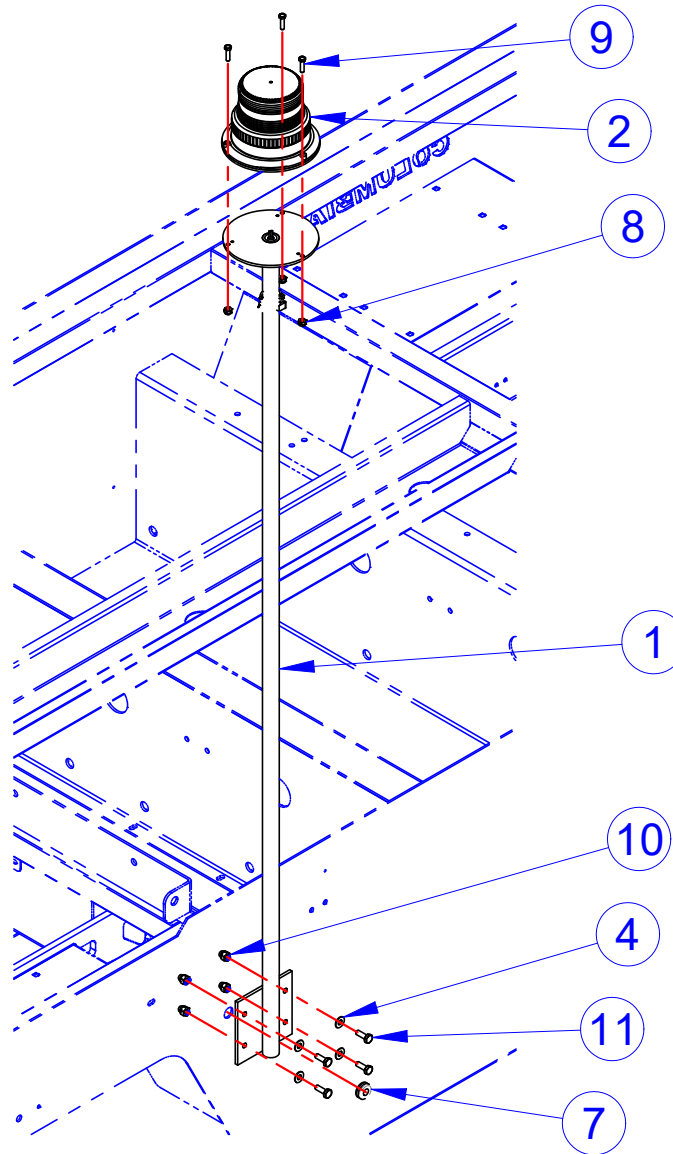
SIDE-VIEW MIRRORS



ITEM	PART #	DESCRIPTION	QTY	REF #
1	510682	BRACKET, MIRROR - BC	2	510682
2	708511	WASHER, FLAT, 1/4", 18-8SS	12	708511
3	719876	NUT, 1/4-20, L/N, NYL, NE, 316, S/S	6	719876
4	749775	WASHER, 3/8 FLAT	8	749775
5		WASHER, 3/8 NYLON	4	
6		SCREW, 3/8-16 X 1 HEX HEAD	4	
7		CURVED ARM	2	
8		MIRROR HEAD ASSEMBLY	2	
9	782785	SCREW, 1/4-20X1.0, HHCS, 18-8SS	6	782785

NOTE: Items with * in tables indicates parts not shown in drawing

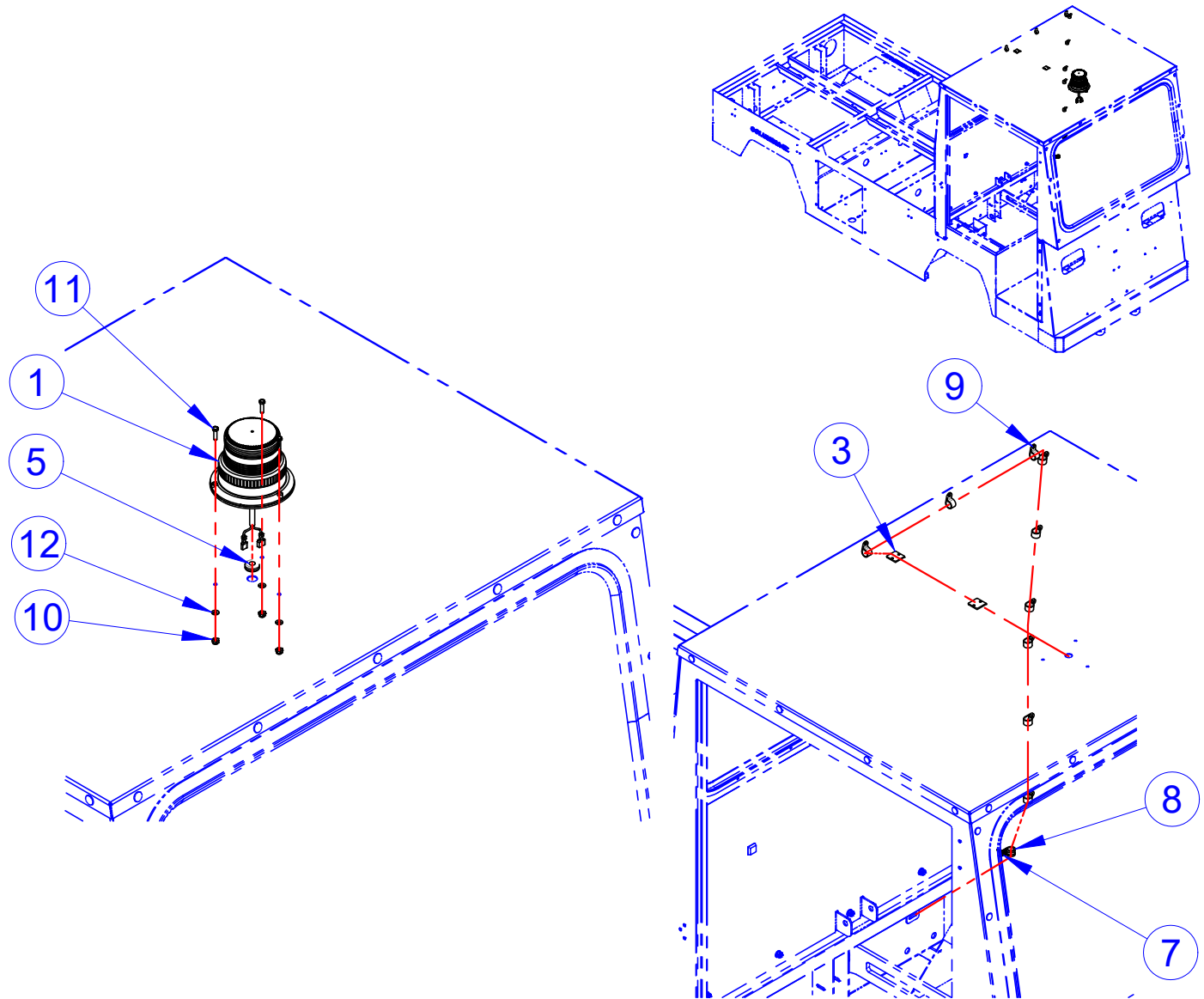
POLE AMBER STROBE



ITEM	PART #	DESCRIPTION	QTY	REF #
1-11	190636U	P&A KIT, PL, POLE AMBER STROBE	KIT	190636
1	316562TB	WLDMT, PED /STROBE POLE, TB	1	316562
2	467408	ASM, STROBE LIGHT (AMBER)	1	467408
3*	467441	HARNESS, BC POLE STROBE LIGHT	1	467441
4	708511	WASHER, FLAT, 1/4", 18-8SS	4	708511
5*	719501	CABLE TIE, NATURAL 5 3/4"	2	719501
6*	719503	CABLE TIE MNT BRKT BLACK W/3M	2	719503
7	719522	GROMMET, 3/8 X 7/8	1	719522
8	761631	NUT, #10-24 GRD 18-8 NM SS NYLOCK	3	761631
9	761638	SCREW, 10-24X3/4, IHHMS, 18-8 SS	3	761638
10	761641	NUT, 1/4-20, L/N, CAP, NYL, NKE, 18-8, S/S	4	761641
11	782784	SCREW, 1/4-20X3/4, HHCS, 18-8SS	4	782784

NOTE: Items with * in tables indicates parts not shown in drawing

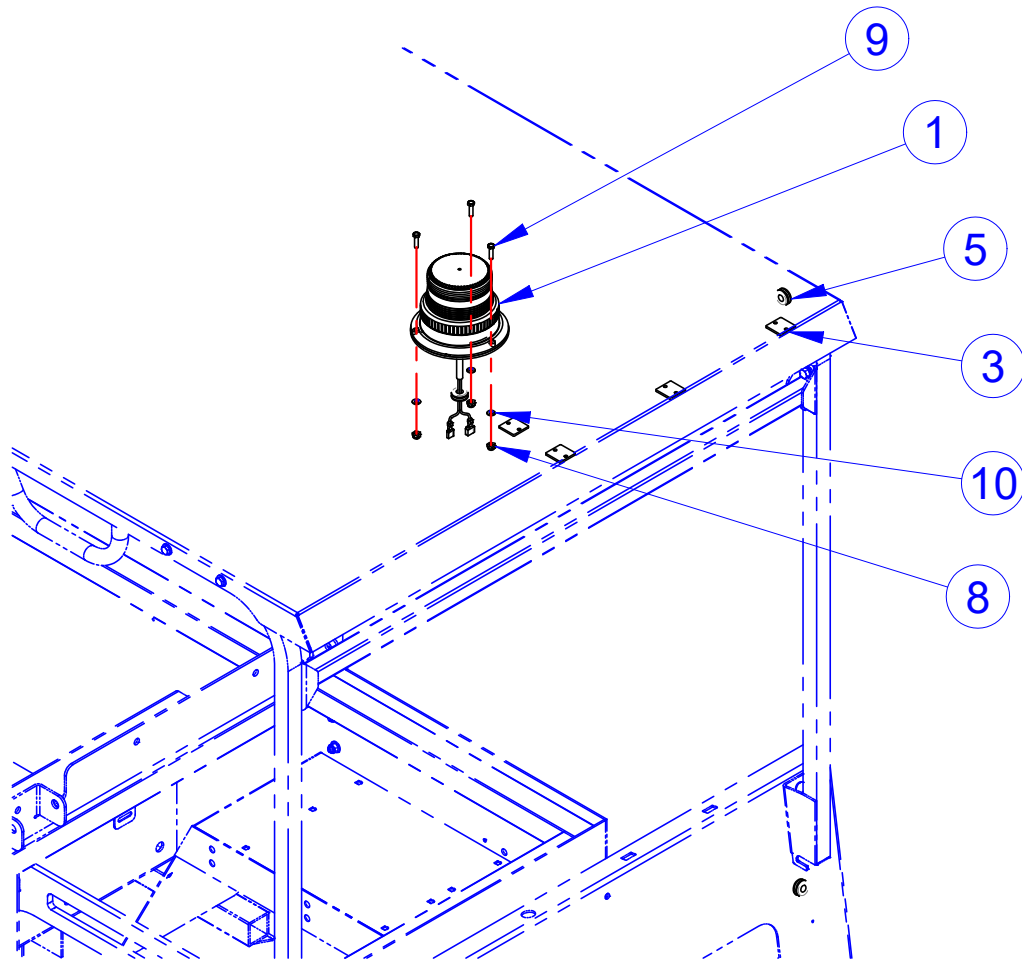
STROBE LIGHT, TOP



ITEM	PART #	DESCRIPTION	QTY	REF #
1-12	190637U	P&A KIT , PL CAB AMBER STROBE	KIT	190637A
1	467408	ASM, STROBE LIGHT (AMBER)	1	467408
2*	467410	HARNESS, BC CAB STROBE LIGHT	1	467410
3	719503	CABLE TIE MNT BRKT BLACK W/3M	2	719503
4*	719504	CABLE TIE, BLACK, .18X11-3/4, STD, 50LB	2	719504
5	719522	GROMMET, 3/8 X 7/8	1	719522
6*	719557	LOOM, .413 X .594, SPLIT 12"/QTY	1	719557
7	719583	SCREW, 10-16X3/4, HWH, TEK, MAG525	1	719583
8	719602	CLAMP, 1/2" BLACK NYLON HEYCO 3358	1	719602
9	719604	CLAMP, 5/8" NYLON BLACK HEYCO 3380	9	719604
10	761631	NUT, #10-24 GRD 18-8 NM SS NYLOCK	3	761631
11	761638	SCREW, 10-24X3/4, IHHMS, 18-8 SS	3	761638
12	782722	WSHR, #10 X 0.438 X 0.031, F/W, 18-8, S/S	3	782722

NOTE: Items with * in tables indicates parts not shown in drawing

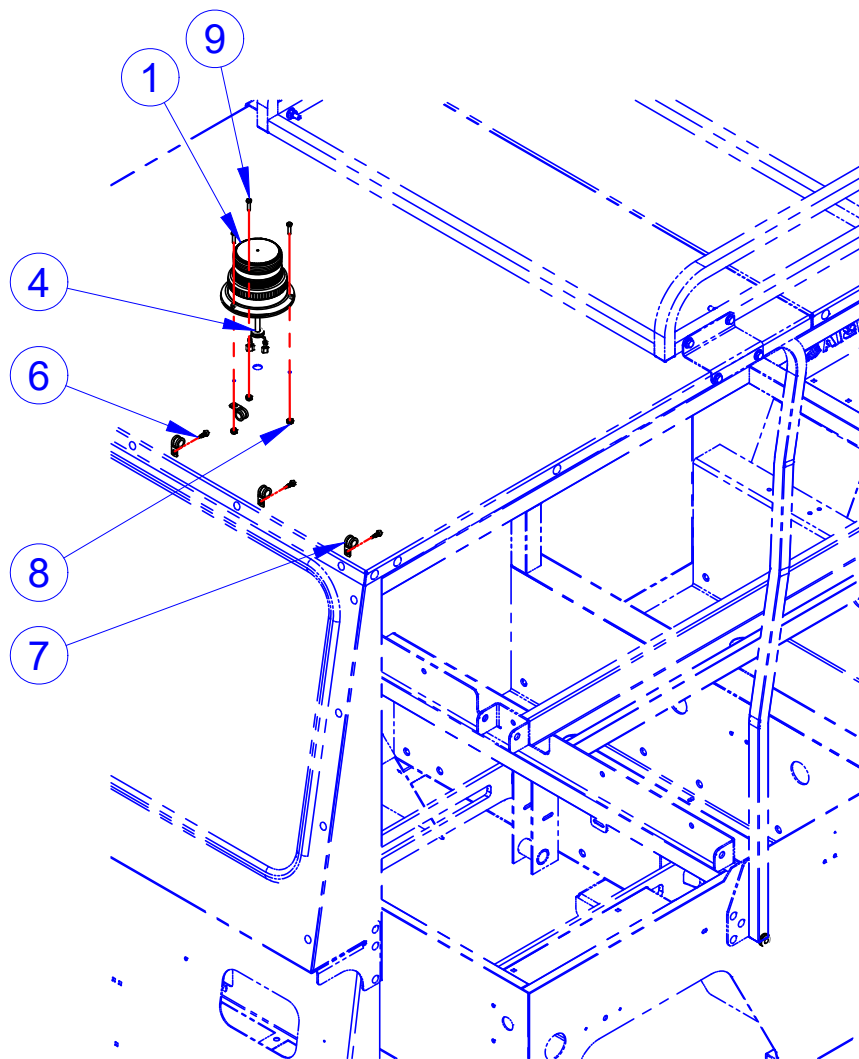
STROBE LIGHT, TOP



ITEM	PART #	DESCRIPTION	QTY	REF #
1	467408	ASM, STROBE LIGHT (AMBER)	1	467408
2*	467410	HARNESS, BC CAB STROBE LIGHT	1	467410
3	719503	CABLE TIE MNT BRKT BLACK W/3M	4	719503
4*	719504	CABLE TIE, BLACK, .18X11-3/4, STD, 50LB	4	719504
5	719522	GROMMET, 3/8 X 7/8	3	719522
6*	719557	LOOM, .413 X .594, SLIT, BLACK, 4.00" LG	12"	719557
7*	719557	LOOM, .413 X .594, SLIT, BLACK, 26.00" LG	12"	719557
8	761631	NUT, #10-24 GRD 18-8 NM SS NYLOCK	3	761631
9	761638	SCREW, 10-24X3/4, IHHMS, 18-8 SS	3	761638
10	782722	WSHR, #10 X 0.438 X 0.031, F/W, 18-8SS	3	782722

NOTE: Items with * in tables indicates parts not shown in drawing

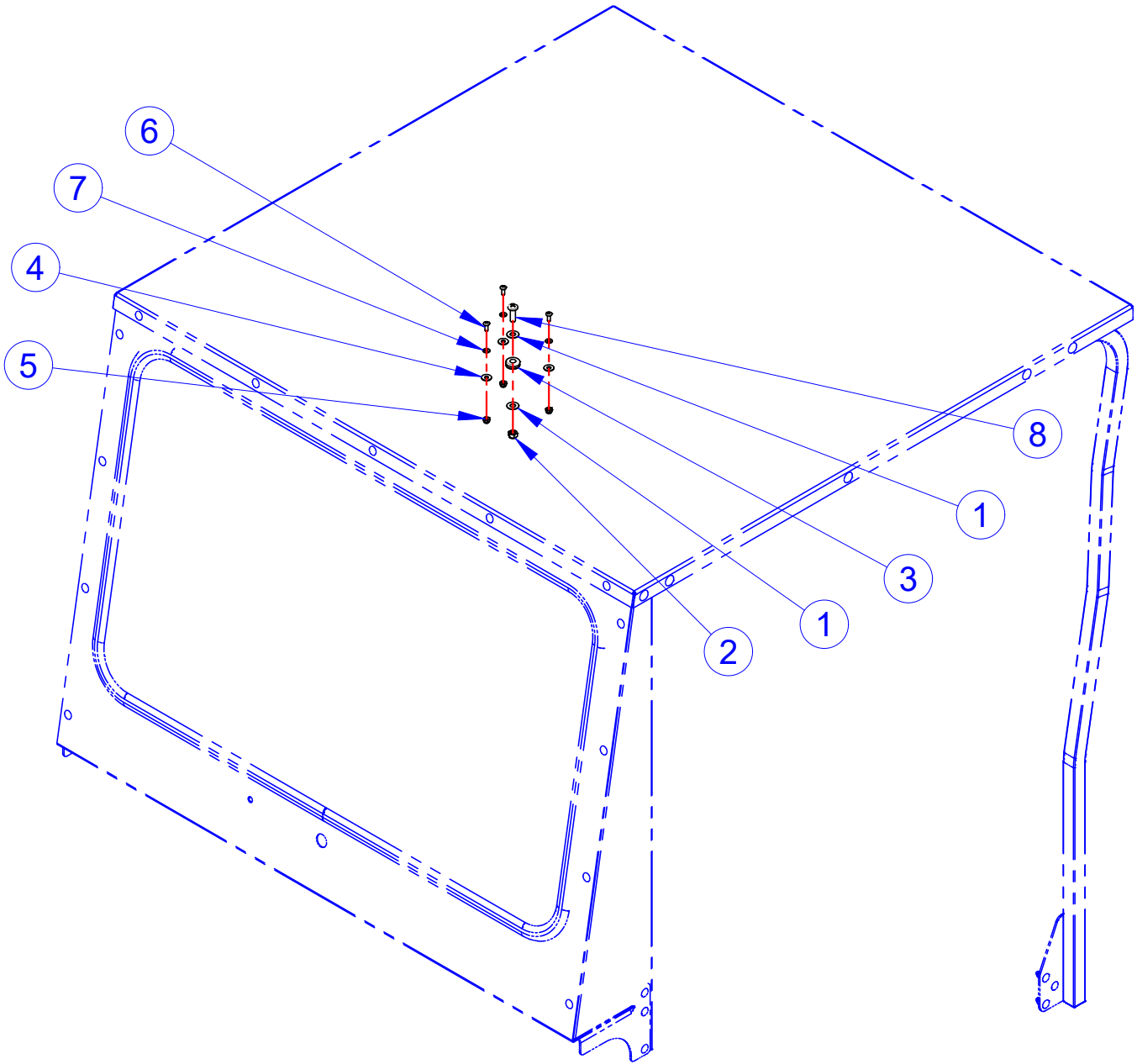
STROBE LIGHT TOP



ITEM	PART #	DESCRIPTION	QTY	REF #
1-9	192758U	P&A, AMBER STROBE LIGHT, TOP, PL	KIT	192758
1	467408	ASM, STROBE LIGHT (AMBER)	1	467408
2*	467410	HARNES, BC CAB STROBE LIGHT	1	467410
3*	719381	LOOM, .375" ID, SLIT, BLACK	2	719381
4	719522	GROMMET, 3/8 X 7/8	2	719522
5*	719557	LOOM, .413 X .594, SPLIT 12"/QTY	1	719557
6	719583	SCREW, 10-16X3/4, HWH, TEK, MAG525	3	719583
7	719602	CLAMP, 1/2" BLACK NYLON HEYCO 3358	4	719602
8	761631	NUT, #10-24 GRD 18-8 NM SS NYLOCK	3	761631
9	761638	SCREW, 10-24X3/4, IHHMS, 18-8 SS	3	761638

NOTE: Items with * in tables indicates parts not shown in drawing

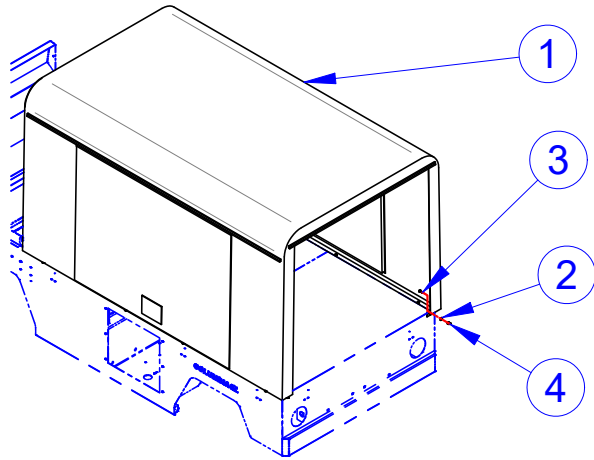
STROBE PLUGS



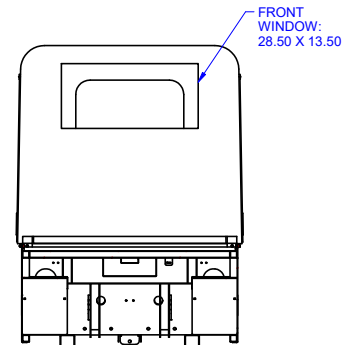
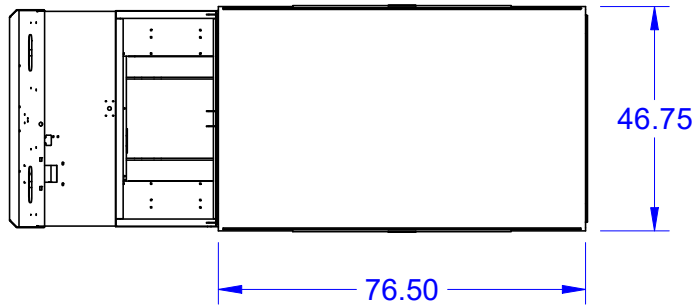
ITEM	PART #	DESCRIPTION	QTY	REF #
1	719375	WSHR,5/16X0.750X0.040,F/W,18-8S/S	2	719375
2	719377	NUT, 5/16-18, L/N, NYL, NE, 18-8SS	1	719377
3	719522	GROMMET, 3/8 X 7/8	1	719522
4	719788	RUBBER WASHER, .25 ID	3	719788
5	761631	NUT, #10-24 GRD 18-8 NM SS NYLOCK	3	761631
6	761632	SCREW, #10-24X1/2" PPH GRD 18-8 SS	3	761632
7	782722	WSHR, #10 X 0.438 X 0.031, F/W, 18-8SS	3	782722
8	782800	SCREW,5/16-18X1,PPHMS,18-8 SS	1	782800

NOTE: Items with * in tables indicates parts not shown in drawing

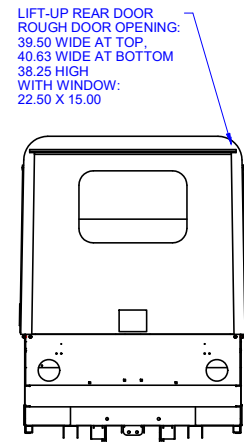
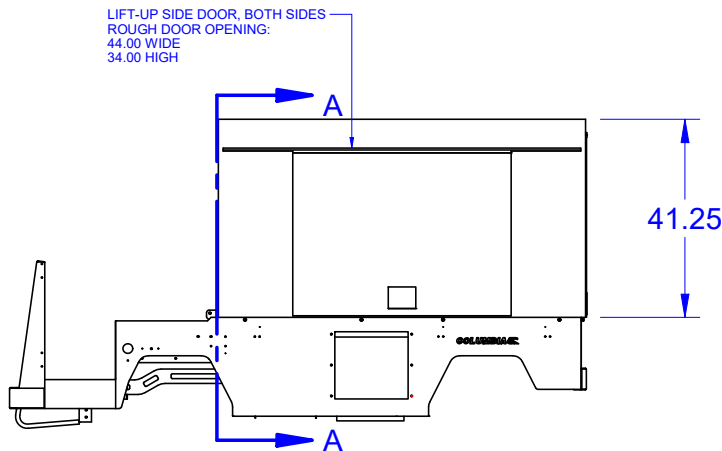
CARGO VAN



NOTES:
 1. ASTERISKED ITEM NUMBER = PART NOT SHOWN
 2. VAN IS SHOWN WITHOUT DOORS FOR VISIBILITY



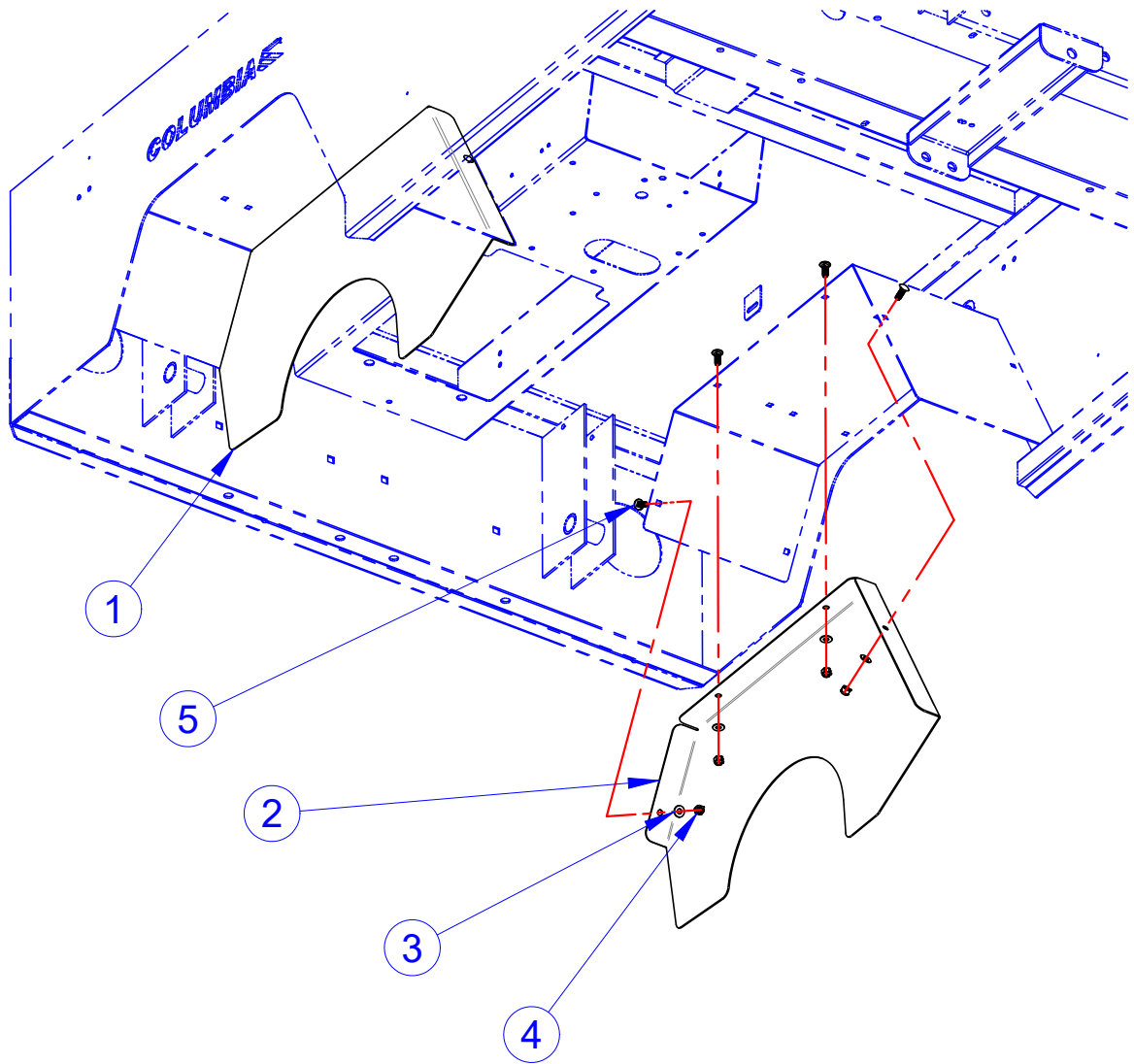
SECTION A-A



ITEM	PART #	DESCRIPTION	QTY	REF #
1	760718C	CRATED VAN, 76X46X41, LIFT-UP DR PL	1	760718
2	708511	WASHER, FLAT, 1/4", 18-8SS	10	708511
3	719630	SCREW, 1/4-20X5/8, HHCS, G5, ZC	10	719630
4	761641	NUT, 1/4-20, L/N, CAP, NYL, NKE, 18-8, S/S	10	761641

NOTE: Items with * in tables indicates parts not shown in drawing

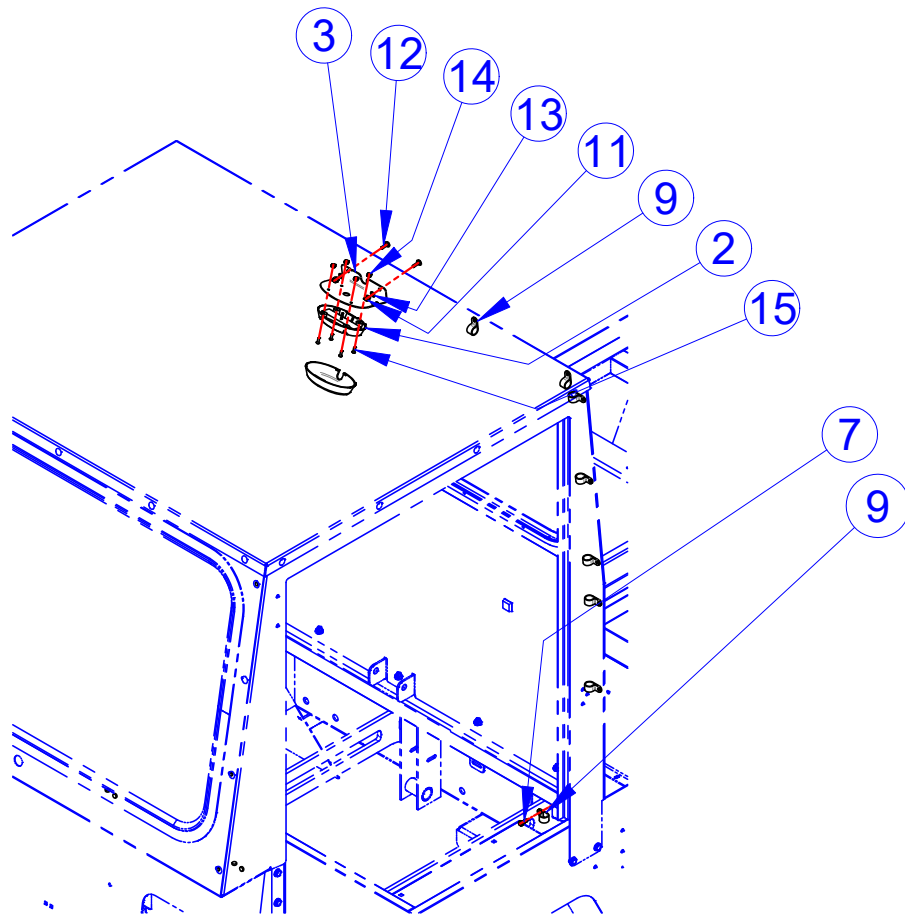
REAR INNER FENDERS



ITEM	PART #	DESCRIPTION	QTY	REF #
1-5	192579U	P&A KIT, PL REAR FENDERS	KIT	192579A
1	515166	INNER FENDER, BC RH	1	515166
2	515167	INNER FENDER, BC LH	1	515167
3	708511	WASHER, FLAT 1/4" 18-8 SS	8	708511
4	719876	NUT, 1/4-20, L/N, NYL, NE, 316, S/S	8	719876
5	781739	SCR, 1/4-20 X 0.75, CARR, 18-8, S/S	8	781739

NOTE: Items with * in tables indicates parts not shown in drawing

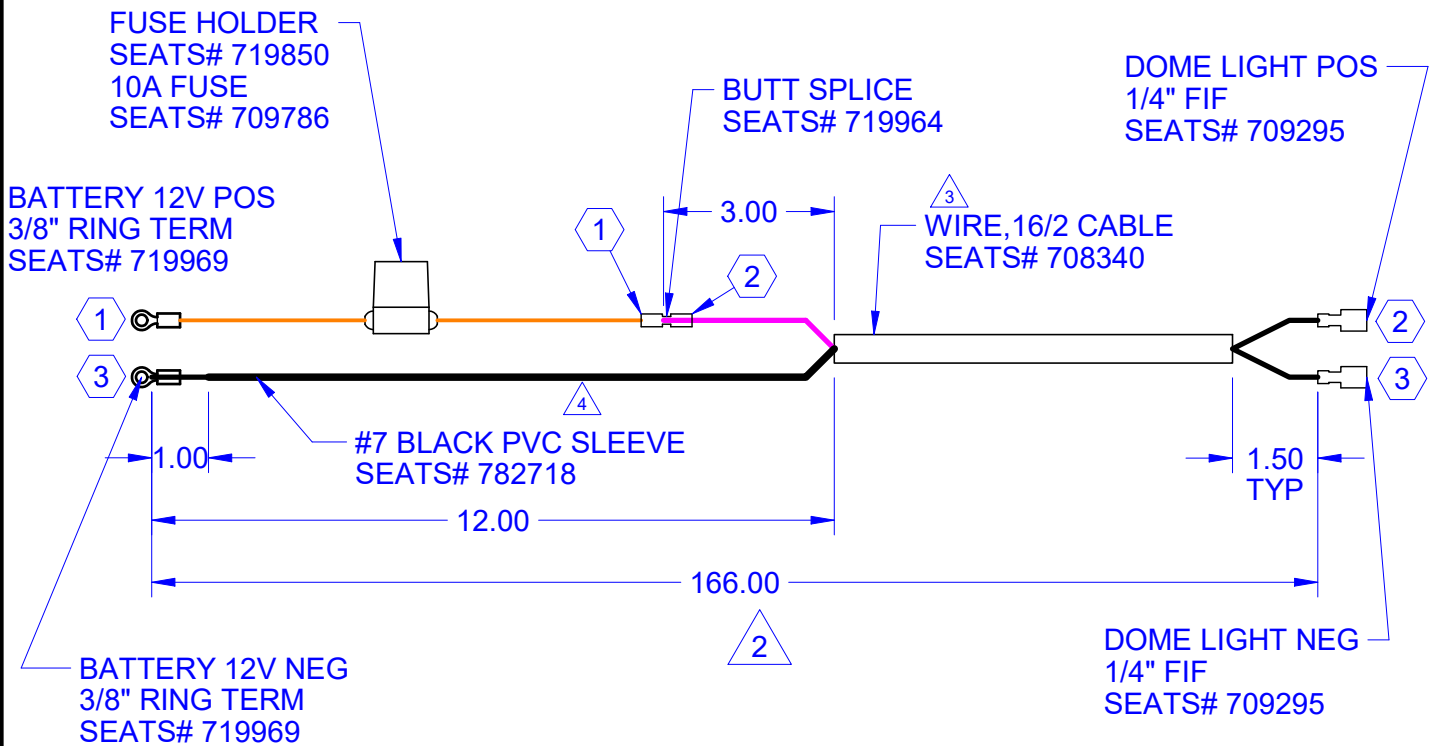
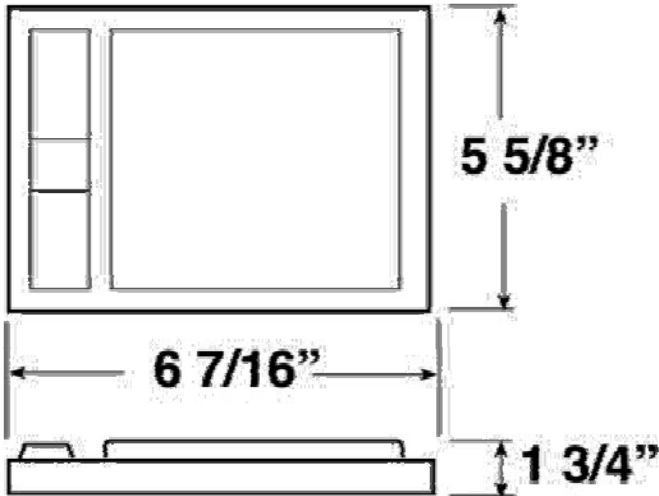
DOME LIGHT



ITEM	PART #	DESCRIPTION	QTY	REF #
1*	467700	HARNASS, DOME LIGHT, PL	1	467700
2	468178	ASM, DOME LIGHT, LED	1	468178
3	518485TB	BRKT, DOME LIGHT, PL	1	518485
4*	709920	ASSY, DOME LIGHT	1	709920
5*	719504	CABLE TIE, BLACK, .18X11-3/4, STD, 50LB	1	719504
6*	719557	LOOM, .413 X .594, SPLIT 12"/QTY	7	719557
7	719583	SCREW, 10-16X3/4, HWH, TEK, MAG525	1	719583
8*	719602	CLAMP, 1/2" BLACK NYLON HEYCO 3358	1	719602
9	719604	CLAMP, 5/8" NYLON BLACK HEYCO 3380	8	719604
10*	719973	TERMINAL, 16/14 INS, 1/4 MALE TAB	2	719973
11	761631	NUT, #10-24 GRD 18-8 NM SS NYLOCK	2	761631
12	761652	SCREW, 10-24X5/8, HWHTR, SS	2	761652
13	782722	WSHR, #10 X 0.438 X 0.031, F/W, 18-8SS	2	782722
14	782738	NUT, #6-32, L/N, NYL, NM, 18-8, S/S	4	782738
15	782770	SCREW, #6-32X3/8, PPH, 18-8SS	4	782770

NOTE: Items with * in tables indicates parts not shown in drawing

DOME LIGHT



CIRCUIT NO	DESCRIPTION	FIRST TERMINAL	SECOND TERMINAL	WIRE LENGTH*	WIRE COLOR	WIRE GAGE
1	BATTERY 12V POS / FUSE TO SPLICE	14-16 GA 3/8" RING TERM	14-16 GA BUTT SPLICE	N/A	N/A	N/A
2	SPLICE TO DOME LIGHT POS	2ND TERM CIR #1	14-16 GA 1/4" FIF	157.50 (1)	WHT	16
3	DOME LIGHT NEG TO BATTERY NEG	14-16 GA 1/4" FIF	14-16 GA 3/8" RING TERM	166.50 (1)	BLK	16

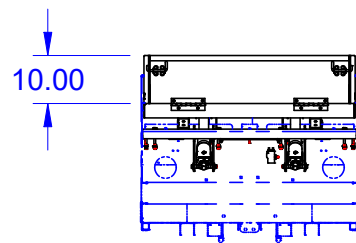
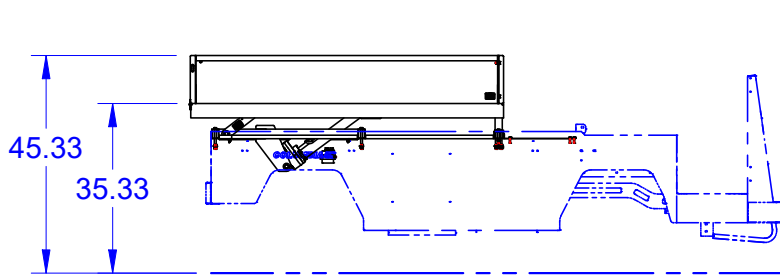
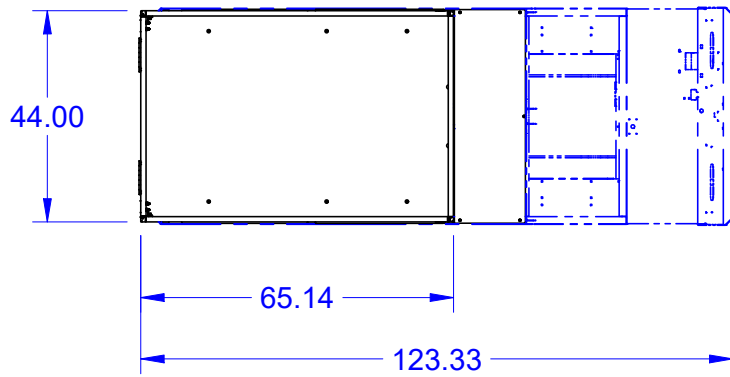
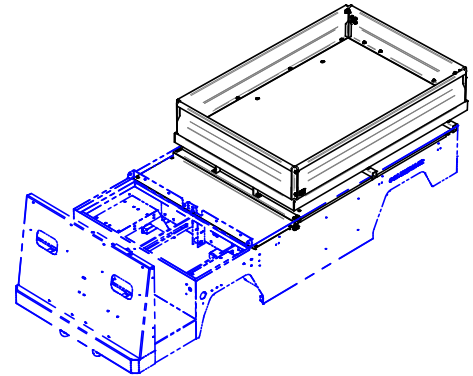
* WIRE LENGTH FOR REFERENCE USE ONLY

FIF = FULLY INSULATED FEMALE QUICK CONNECT

(1) = WIRE, 16/2 CABLE

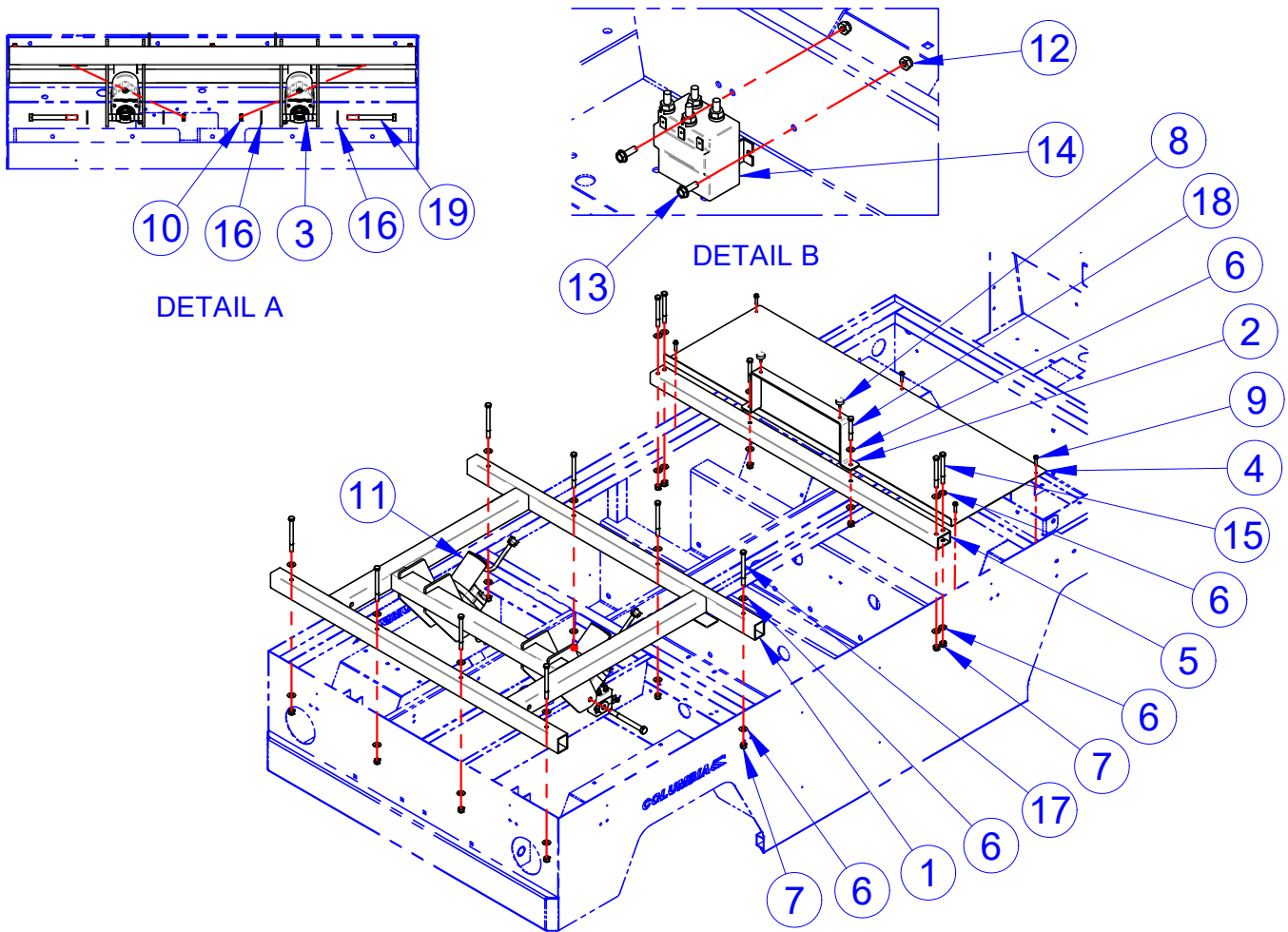
NOTE: Items with * in tables indicates parts not shown in drawing

DUMP BOX



NOTE: Items with * in tables indicates parts not shown in drawing

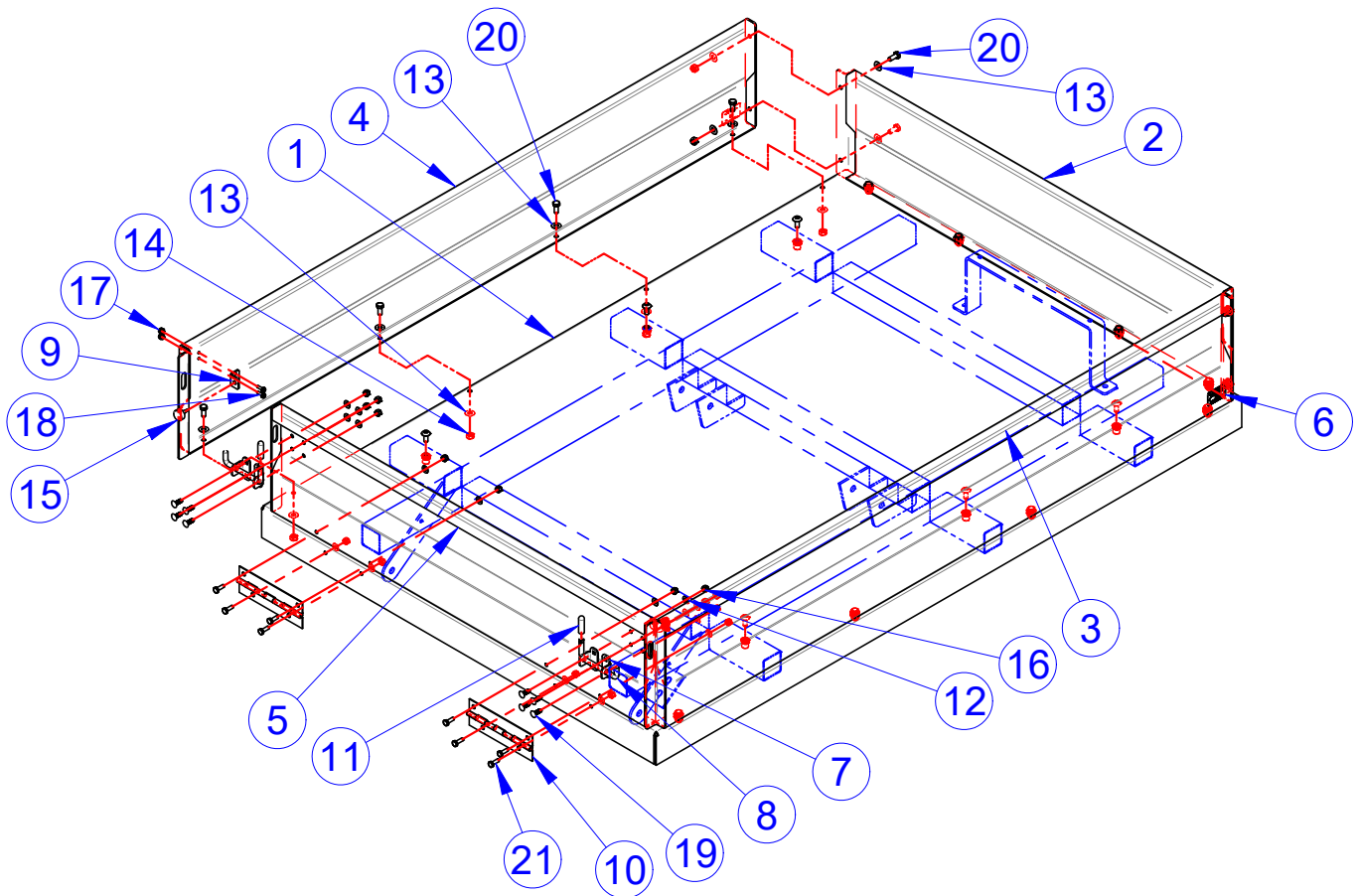
DUMP BOX, SUBFRAME



ITEM	PART #	DESCRIPTION	QTY	REF #
1	312242TB	BC TIPPER BASE WLDMNT, TXT BLK	1	312242
2	515867	BRKT, DOWNSTOP BUMPER	1	515867
3	515869	SPACER, BC/SU5 DUMP BED ACTUATOR	12	515869
4	515870TB	COVER, BC DUMP BED	1	515870
5	515877	TUBE, FRONT BUMPER SPRT	1	515877
6	708859	WASHER, 3/8, STD, FW, 18-8SS	28	708859
7	708860	NUT, 3/8-16, L/N, NYL, NE, 18-8, S/S	14	708860
8	719519	BUMPER, 7/8 X 1.03 EPDM 70 DURO	2	719519
9	761639	SCREW, 1/4-20X1.0, FCSHTR, 18-8 SS	5	761639
10	782739	NUT, 1/2-13, NYLOCK NE, GE, MAGNI 525	2	782739
11	761071	48V ACTUATOR, 12" STROKE	2	761071
12	761631	NUT, #10-24 GRD 18-8 NM SS NYLOCK	2	761631
13	761652	SCREW, 10-24X5/8, HWHTR, SS	2	761652
14	761668	CONTACTOR, SEALED, 48V	1	761668
15	782789	SCR, 3/8-16 X 3.75, HHCS, 18-8, S/S	4	782789
16	782821	WASHER, 1/2X1.375OD, F/W, ECOGUARD	4	782821
17	782911	SCR, 3/8-16 X 4.25, HHCS, 18-8, S/S	8	782911
18	783008	SCR, 3/8-16 X 2.75, HHCS, 18-8, S/S	2	783008
19	783123	SCR, 1/2-13 X 5, HCS, G8, ECO	2	783123

NOTE: Items with * in tables indicates parts not shown in drawing

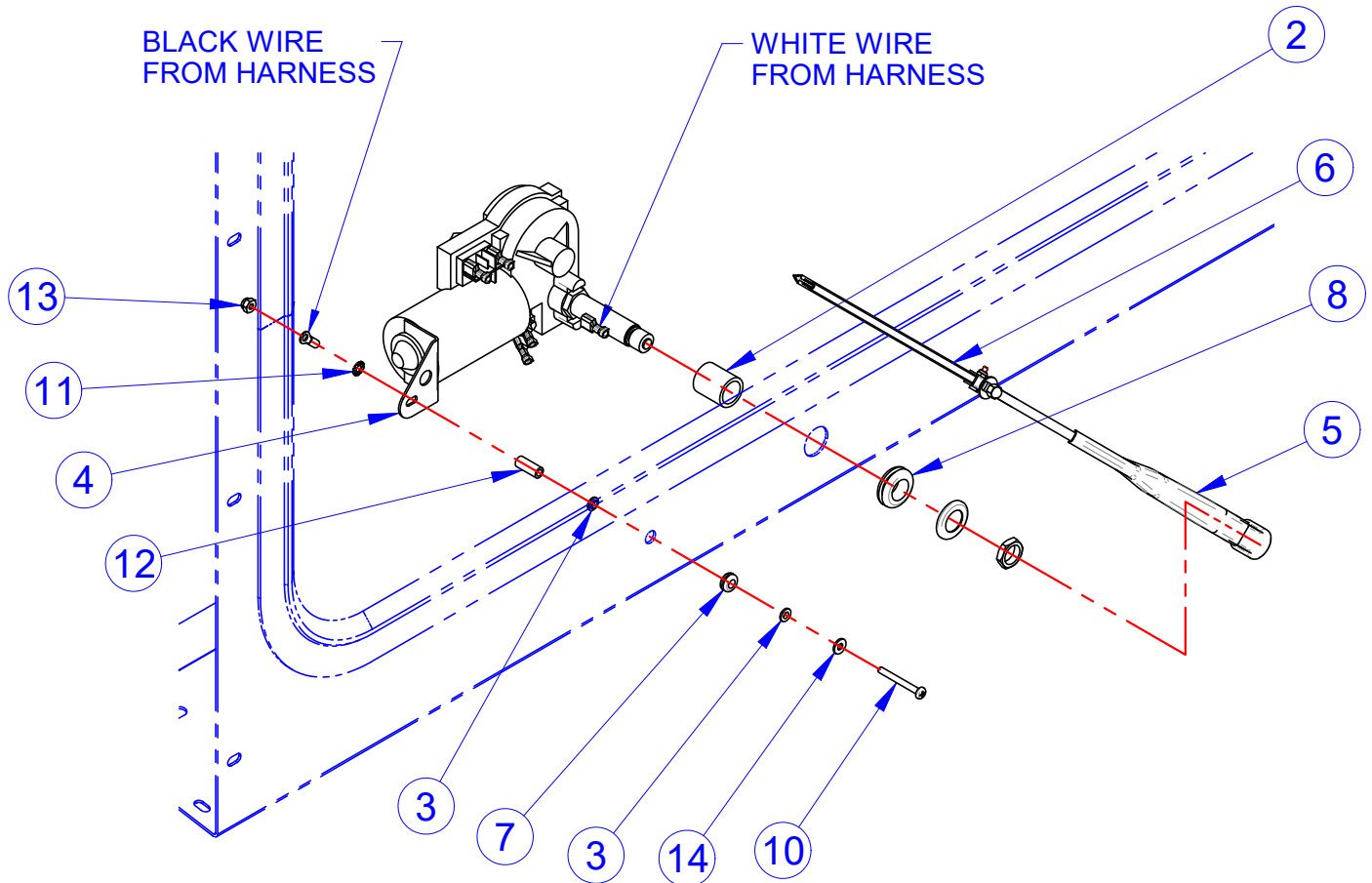
DUMP BOX, BOX ASSEMBLY



ITEM	PART #	DESCRIPTION	QTY	REF #
1	312244TB	BC DUMP BED	1	312244
2	312245TB	WLDMNT, BC/SU5 DUMP BED F PANEL	1	312245
3	312246TB	WLDMNT, BC DUMP BED PANEL RH	1	312246
4	312247TB	WLDMNT, BC DUMP BOX PANEL LH	1	312247
5	312248TB	WLDMNT, BC DUMP BED TAILGATE	1	312248
6	507980	PINCH WARNING	4	507980
7	515865TB	BRKT, LATCH	4	515865
8	515866TB	HANDLE, LATCH	2	515866
9	515868TB	BRKT, BC/SU5 TAILGATE STOP	2	515868
10	1017494	SEAT HINGE SUPERSEDES 516899	2	1017494
11	707613	END TIP, BLK	2	707613
12	708511	WASHER, FLAT, 1/4", 18-8SS	16	708511
13	719375	WSHR,5/16X0.75X0.040,F/W,18-8S/S	32	719375
14	719377	NUT, 5/16-18, L/N, NYL, NE, 18-8SS	16	719377
15	719519	BUMPER, 7/8 X 1.03 EPDM 70 DURO	4	719519
16	719876	NUT, 1/4-20, L/N, NYL, NE, 316, S/S	16	719876
17	761631	NUT, #10-24 GRD 18-8 NM SS NYLOCK	6	761631
18	761652	SCREW, 10-24X5/8,HWHTR,SS	6	761652
19	781739	SCR, 1/4-20 X 0.75, CARR, 18-8, S/S	8	781739
20	782721	SCR, 5/16-18 X 0.75, HHCS, 18-8, S/S	16	782721
21	782784	SCREW, 1/4-20X3/4,HHCS,18-8SS	8	782784

NOTE: Items with * in tables indicates parts not shown in drawing

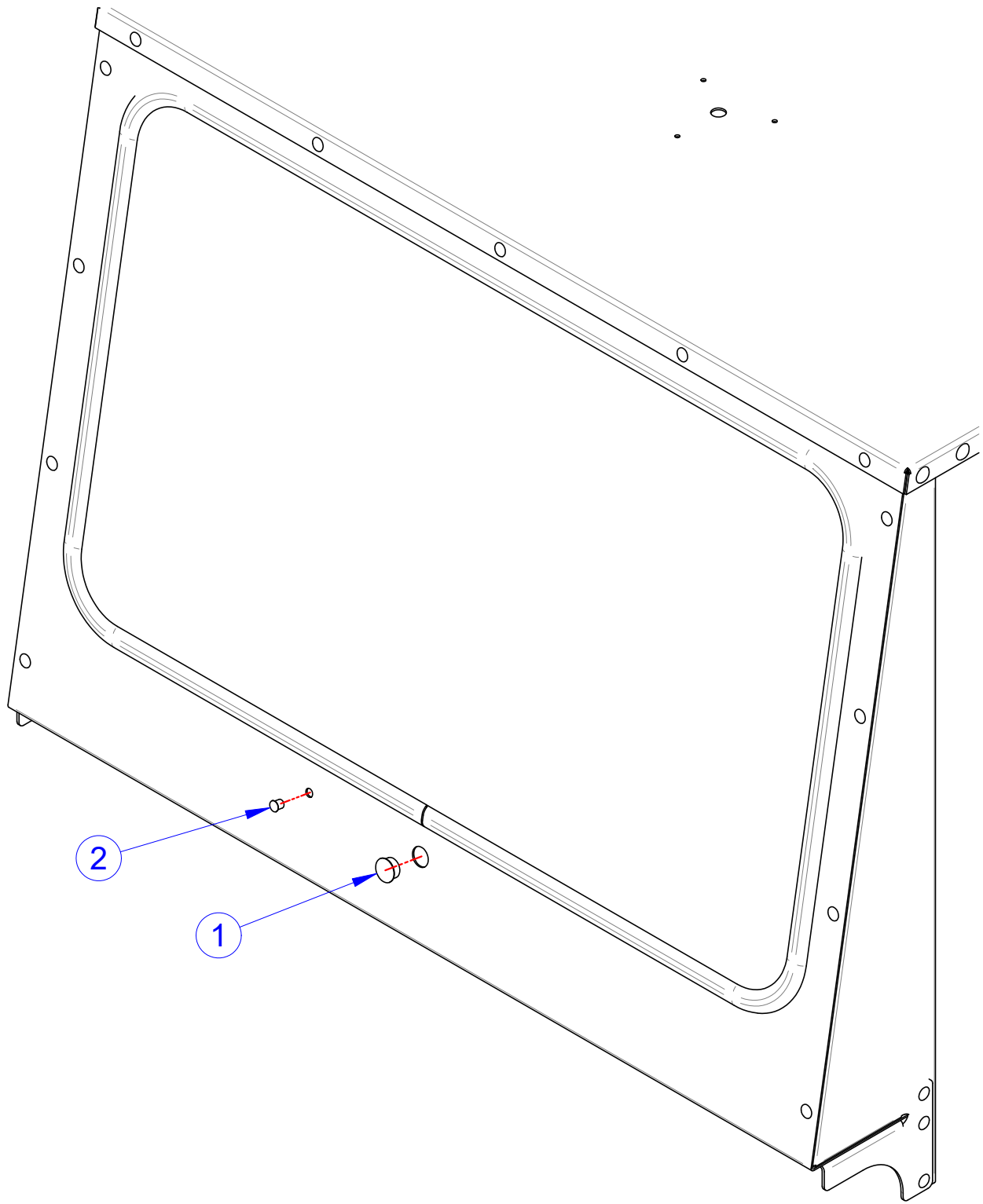
WINDSHIELD WIPER



ITEM	PART #	DESCRIPTION	QTY	REF #
1-14	194543U	P&A KIT, WINDSHIELD WIPER, PL	KIT	194543
1*	467407	HARNESS, BC WINDSHIELD WIPER	1	467407
2	508993	WIPER SPACER	1	508993
3	709362	NYLON BEARING	2	709362
4	709592	MOTOR, WINDSHIELD WIPER	1	709592
5	193703U	P&A, KIT, WIPER ARM AND BLADE	1	193703
6				
7	719520	GROMMET, .25ID DELTA FLEX 2902	1	719520
8	719529	GROMMET, 5/8X1-1/8X3/8 1/8GR	1	719529
9*	719557	LOOM, .413 X .594, SPLIT 12"/QTY	1	719557
10	783136	SCREW,#8-32X1.5,6PMS,18-8 SS	1	783136
11	719851	WASHER LOCK #10 EXTERNAL TOOTH YWZC	1	719851
12	759824	.313 OD X .194 ID X .75 LG SPACER - NYLON	1	759824
13	761630	NUT, #8-32, NILN, 18-8, SS	1	761630
14	782820	WASHER,#8X.438OD,SAE F/W,18-8 SS	1	782820

NOTE: Items with * in tables indicates parts not shown in drawing

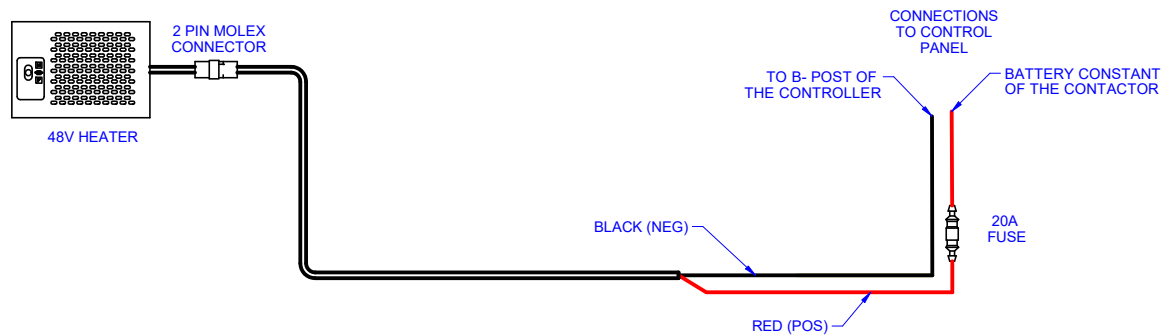
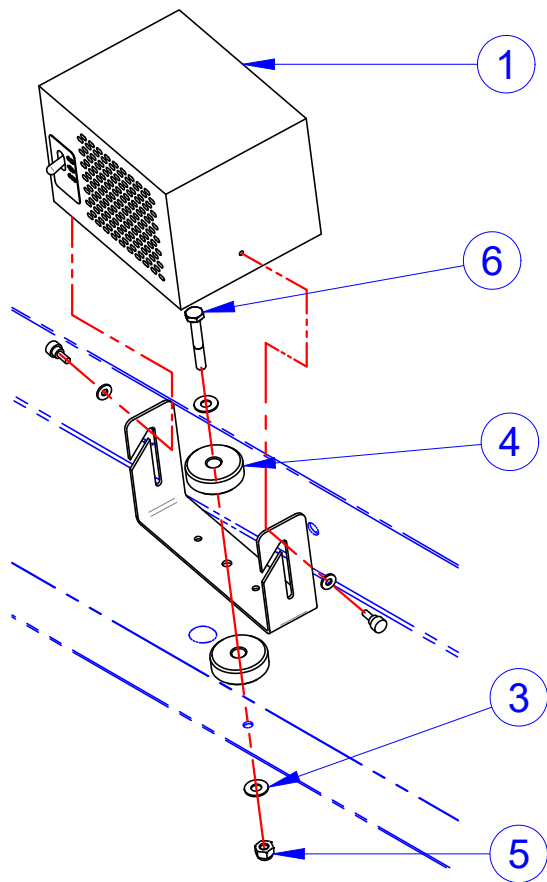
WINDSHIELD WIPER HOLE PLUGS



ITEM	PART #	DESCRIPTION	QTY	REF #
1	719362	HOLE PLUG, 7/8, BLACK	1	719362
2	719363	HOLE PLUG, 3/8, BLACK	1	719363

NOTE: Items with * in tables indicates parts not shown in drawing

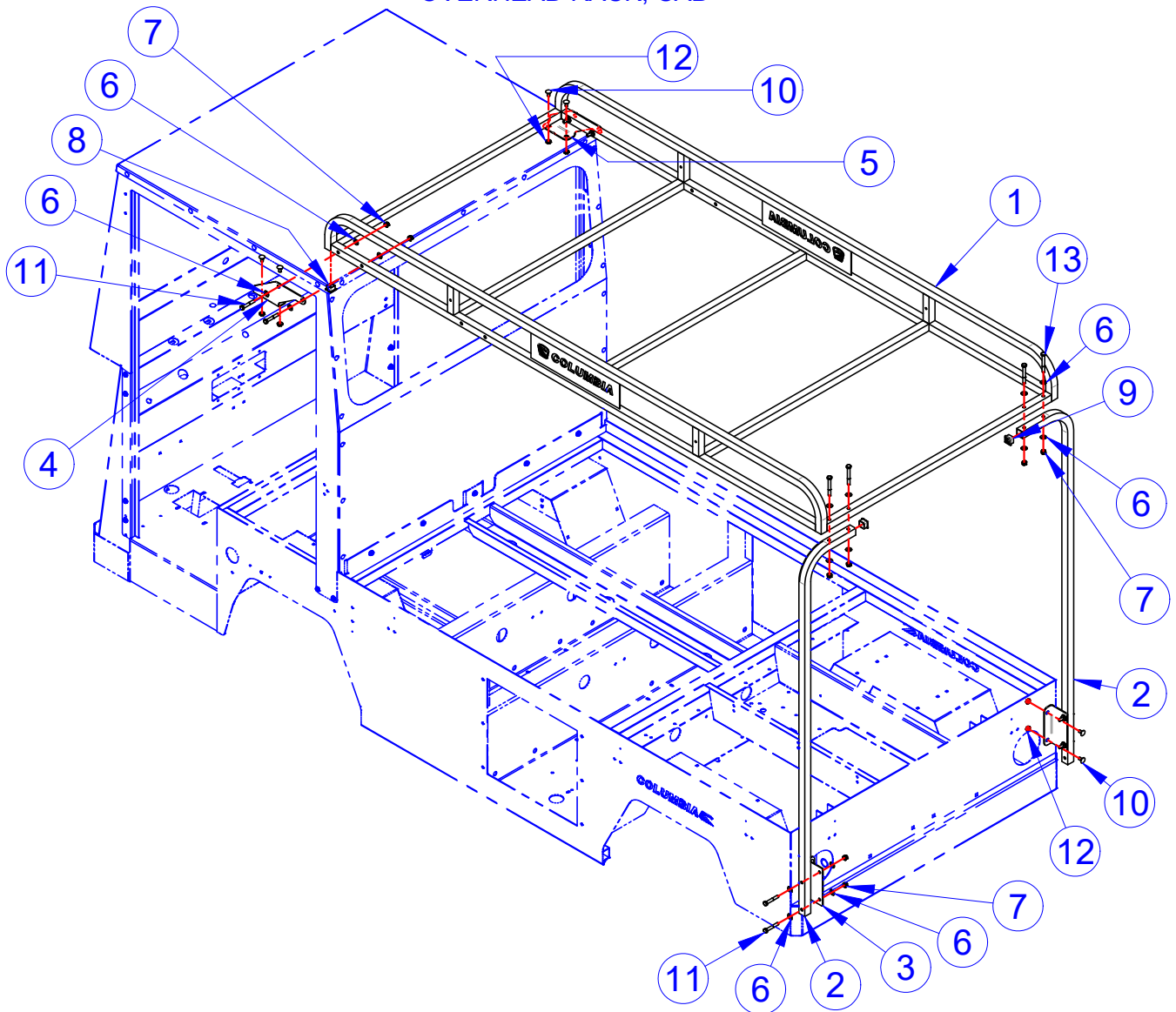
HEATER



ITEM	PART #	DESCRIPTION	QTY	REF #
1-6	193182U	P&A KIT,HEATER, 48V, PL	KIT	193182
1	468200	HEATER, 48V, LESS HARNESS	1	467801
2*	468200	HARNESS, BC HEATER, 48V	1	467802
3	708511	WASHER, FLAT, 1/4", 18-8SS	2	708511
4	719737	WASHER FLAT BLK DELRIN .375X1.5X.5	2	719737
5	719876	NUT, 1/4-20, L/N, NYL, NE, 316, S/S	1	719876
6	782786	SCREW, 1/4-20X1.75,HHSC,18-8SS	1	782786

NOTE: Items with * in tables indicates parts not shown in drawing

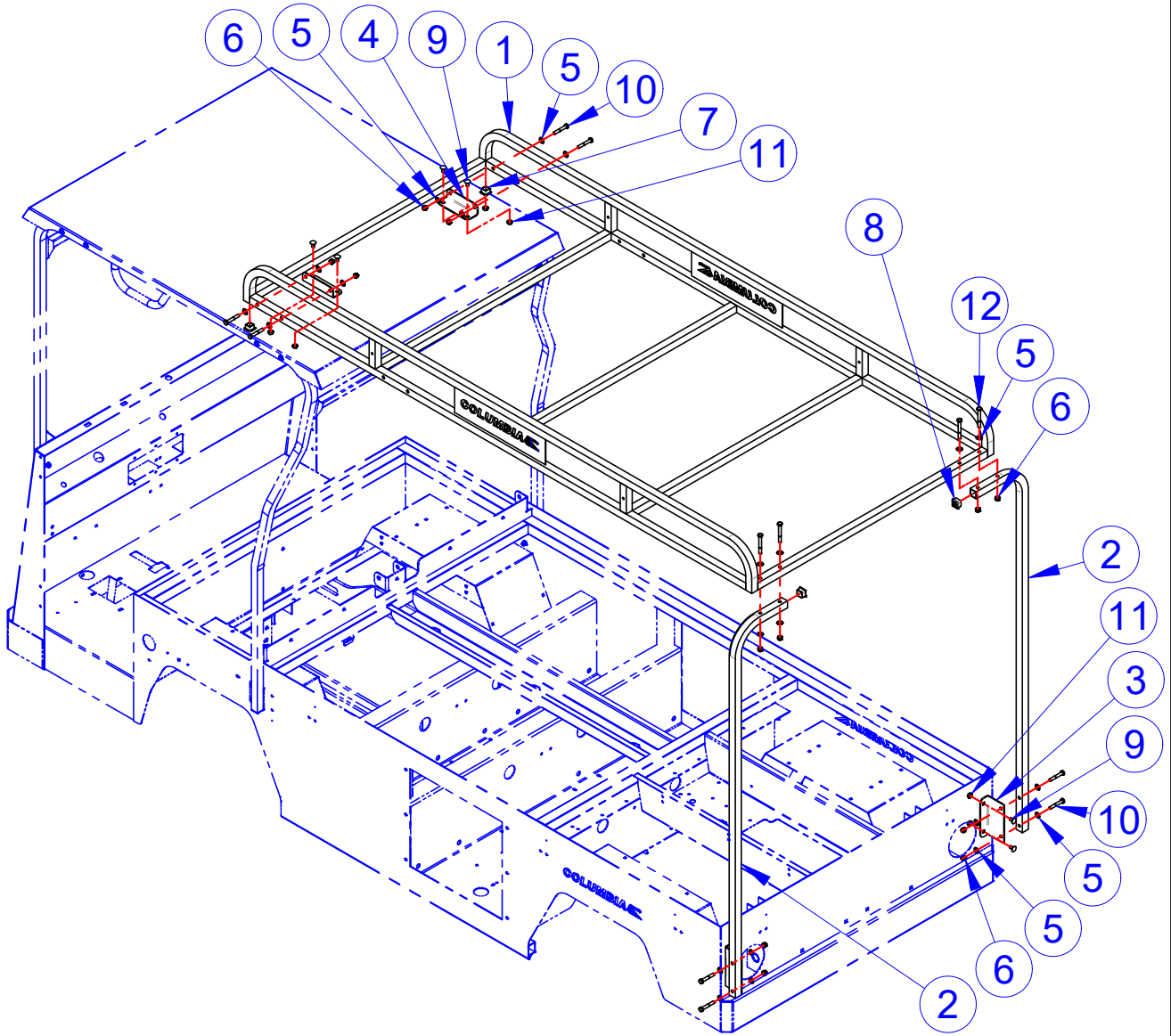
OVERHEAD RACK, CAB



ITEM	PART #	DESCRIPTION	QTY	REF #
1-13	194354A	GRP, OVERHEAD RACK, CAB, PL	KIT	194354
1	311556TBC	CRTD, WLDMNT OVERHD RACK,SUV-L,TB	1	311556
2	515175TB	TUBE, UPRIGHT, BC OVERHEAD RACK	2	515175
3	515176TB	BRKT, REAR, BC OVERHEAD RACK	2	515176
4	515177TB	BRKT, FRONT LH, OVERHEAD RACK, PL	1	515177
5	515178TB	BRKT, FRONT RH, OVERHEAD RACK, PL	1	515178
6	719375	WSHR,5/16X0.750X0.040,F/W,18-8S/S	24	719375
7	719377	NUT, 5/16-18, L/N, NYL, NE, 18-8SS	12	719377
8	719525	CAPLUG, 3/4 SQ, FP-161	2	719525
9	719526	CAPLUG, 7/8 SQ, FP-165	2	719526
10	761642	SCREW,5/16-18-5/8,CARR,18-8 SS	8	761642
11	782298	SCR, 5/16-18 X 2, HHCS, 18-8, S/S	8	782298
12	782543	NUT,5/16-18,FLG,C-L/N,GF,MAGNI575WX	8	782543
13	782714	SCR, 5/16-18 X 2.5, HHCS, 18-8, S/S	4	782714

NOTE: Items with * in tables indicates parts not shown in drawing

OVERHEAD RACK, TOP



ITEM	PART #	DESCRIPTION	QTY	REF #
1-12	194632U	P&A, KIT, OVERHEAD RACK/SUNTOP, PL	KIT	194632
1	311556TBC	CRTD, WLDMNT OVERHD RACK,SUV-L,TB	1	311556
2	515175TB	TUBE, UPRIGHT, BC OVERHEAD RACK	2	515175
3	515176TB	BRKT, REAR, BC OVERHEAD RACK	2	515176
4	515179TB	BRKT, FRONT, BC OVERHEAD RACK	2	515179
5	719375	WSHR,5/16X0.750X0.040,F/W,18-8S/S	24	719375
6	719377	NUT, 5/16-18, L/N, NYL, NE, 18-8SS	12	719377
7	719525	CAPLUG, 3/4 SQ, FP-161	2	719525
8	719526	CAPLUG, 7/8 SQ, FP-165	2	719526
9	761642	SCREW,5/16-18-5/8,CARR,18-8 SS	8	761642
10	782298	SCR, 5/16-18 X 2, HHCS, 18-8, S/S	8	782298
11	782543	NUT,5/16-18,FLG,C-L/N,GF,MAGNI575WX	8	782543
12	782714	SCR, 5/16-18 X 2.5, HHCS, 18-8, S/S	4	782714

NOTE: Items with * in tables indicates parts not shown in drawing

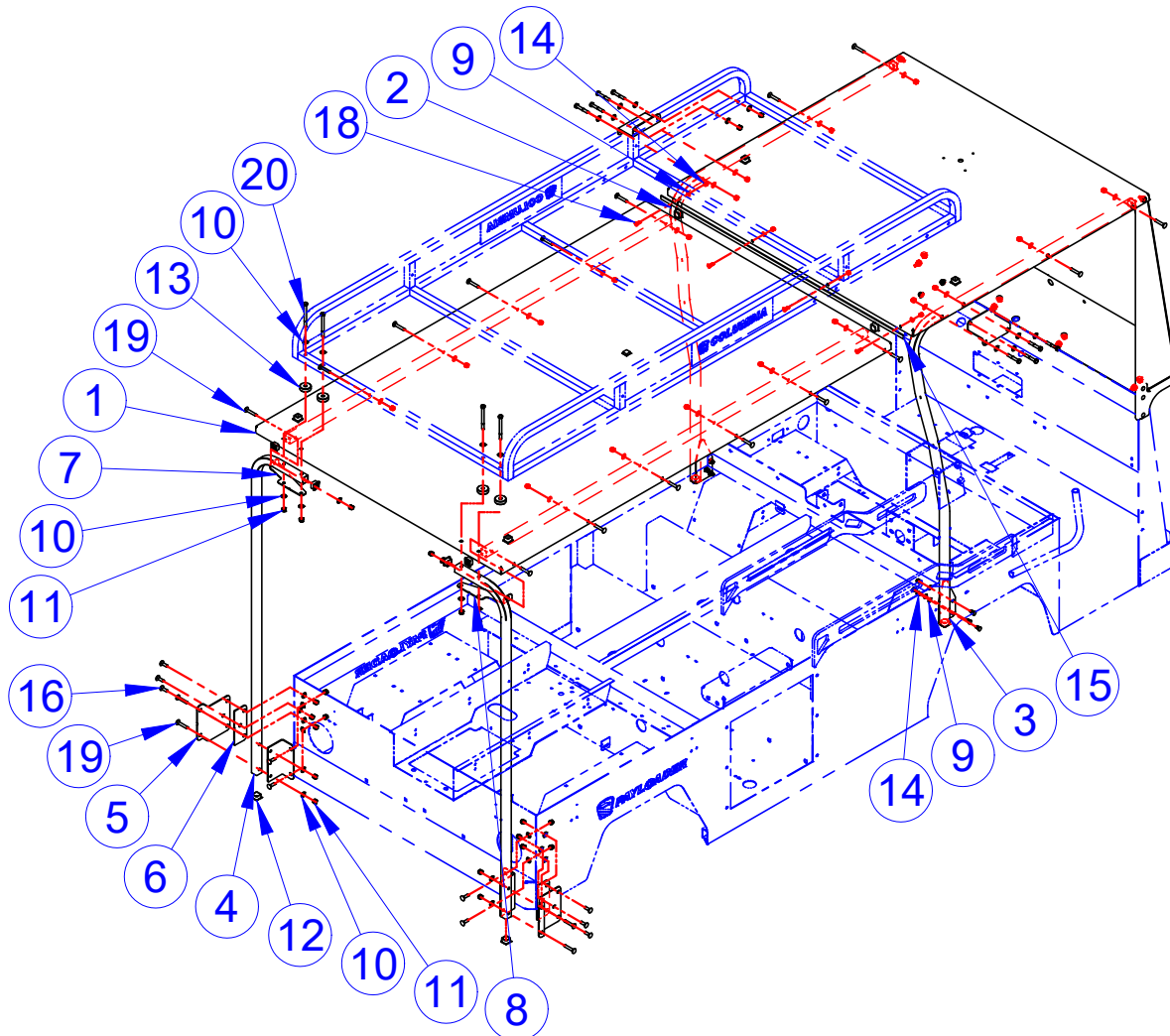
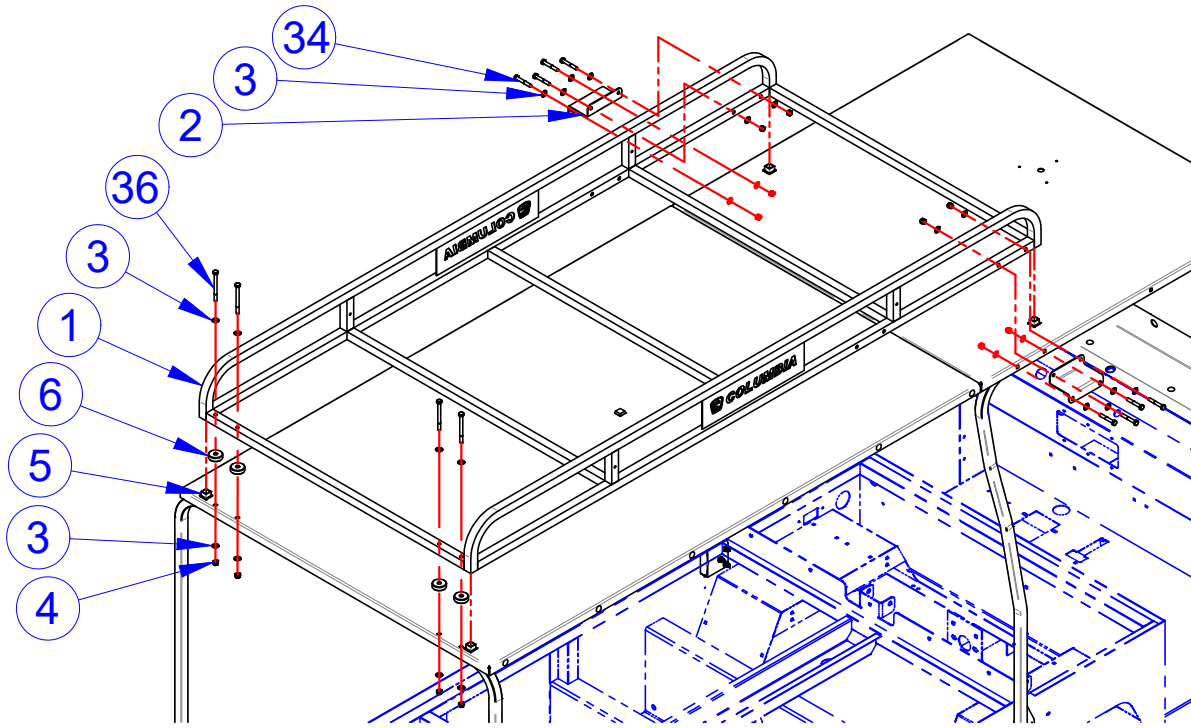
RACK, FULL TOP

VIEWS FOR BOM ON NEXT PAGES

ITEM	PART #	DESCRIPTION	QTY	REF #
1-36	194634A	P&A, FULL TOP W/RACK, BLK, PL	KIT	194634A
1*	311556TBC	CRTD, WLDMNT OVERHD RACK,SUV-L,TB	1	311556
2*	312256	WLDMT, ROOF PANEL, PL TOP	1	312256
3*	312259TB	WLDMT, EXT ROOF, TOP, PL	1	312259
4*	314597TB	WLDMT, OPERATOR TOP TUBE, LH, PL	1	314597
5*	314598TB	WLDMT, OPERATOR TOP TUBE, RH, PL	1	314598
6	511225	BRKT, CAB FRONT, PL	1	511225
7	520787	PANEL, TOP, FRONT, PL,	1	520787
8	515912	PANEL, TOP, RH	1	515912
9	515913	PANEL, TOP, LH	1	515913
10*	515918TB	BRKT, REAR UPRIGHT, BC TOP	2	515918
11*	515919TB	TUBE, REAR UPRIGHT, BC TOP	2	515919
12*	515921TB	TUBE, EXT ROOF, BC TOP	2	515921
13*	515922TB	BRKT, RACK MT, PAYLOADER	2	515922
14	516235TB	BRKT, TOP SPRT, RH	1	516235
15	516236TB	BRKT, TOP SPRT, LH	1	516236
16*	518186TB	BRKT, CARGO TOP TUBE SPRT	2	518186
17*	518187TB	SPACER, CARGO TOP TUBE SPRT	2	518187
18*	518188TB	BRKT, CARGO TOP SPRT, LH	1	518188
19*	518189TB	BRKT, CARGO TOP SPRT, RH	1	518189
20	708511	WASHER, FLAT, 1/4", 18-8SS	35	708511
21	719163	WEATHER STRIPPING, SELF-SEALING, 126" LG	10.50	719163
22*	719375	WSHR,5/16X0.75X0.040,F/W,18-8S/S	64	719375
23*	719377	NUT, 5/16-18, L/N, NYL, NE, 18-8SS	52	719377
24*	719525	CAPLUG, 3/4 SQ, FP-161	4	719525
25*	719526	CAPLUG, 7/8 SQ, FP-165	12	719526
26*	719737	WASHER FLAT BLK DELRIN .375X1.5X.5	4	719737
27*	719738	BUMPER BLACK 3M#SJ5023	1	719738
28	719876	NUT, 1/4-20, L/N, NYL, NE, 316, S/S	35	719876
29*	739272	TAPE, FOAM, 1/8 X 1/2,45" LONG	3.75	739272
30	468351	CRATED, WINDSHLD GLASS KIT, PL	1	468351
31*	761292	SCR,5/16-18X1.0,CARR,18-8S/S	16	761292
32	761642	SCREW,5/16-18-5/8,CARR,18-8 SS	4	761642
33	781739	SCR, 1/4-20 X 0.75, CARR, 18-8, S/S	35	781739
34	782298	SCR, 5/16-18 X 2, HHCS, 18-8, S/S	8	782298
35*	783051	SCR, 5/16-18 X 1.75, CB, 18-8, SS	20	783051
36	783053	SCR, 5/16-18 X 3.5, HHCS, 18-8, S/S	4	783053

NOTE: Items with * in tables indicates parts not shown in drawing

RACK, FULL TOP

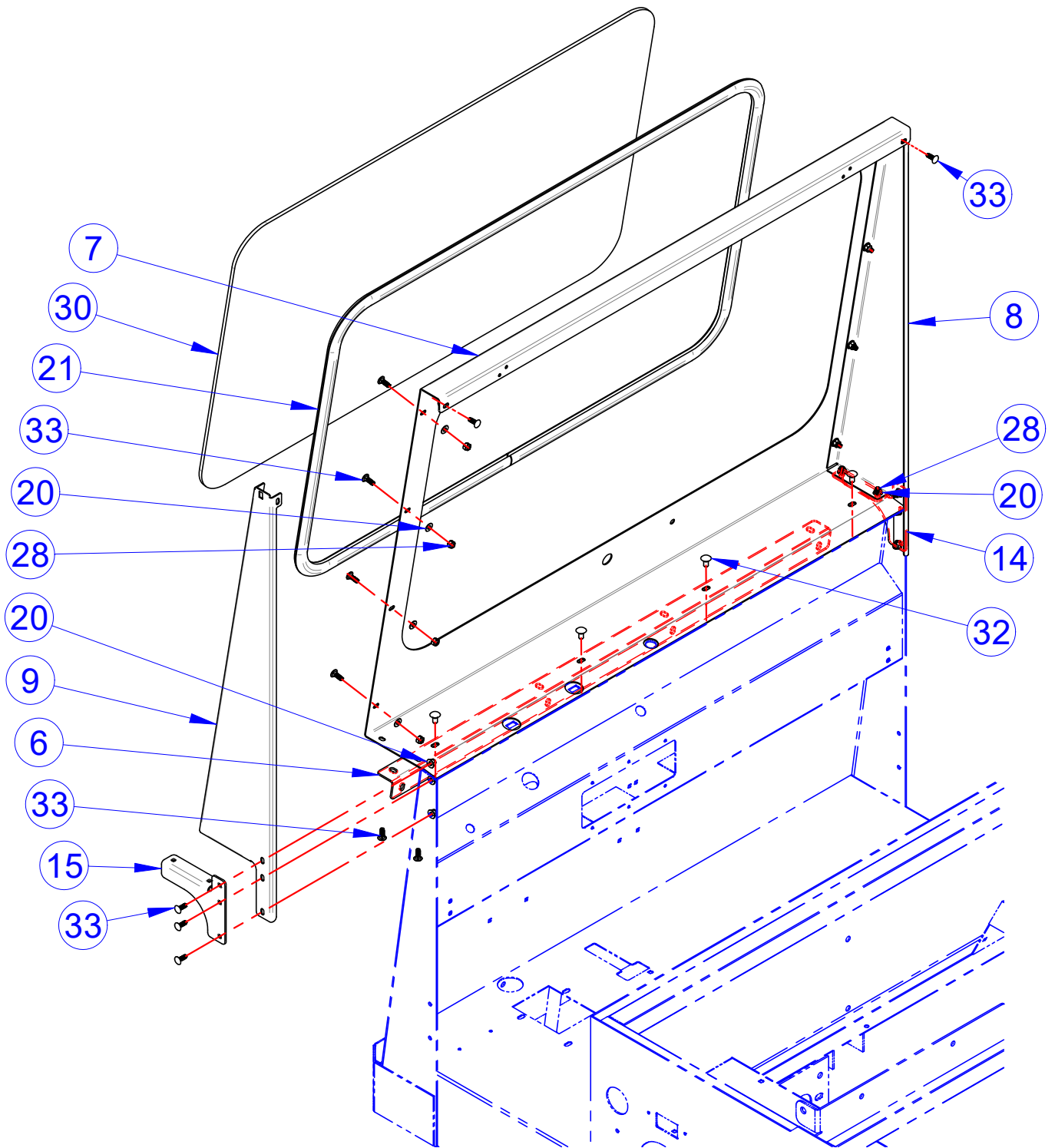


NOTE: Items with * in tables indicates parts not shown in drawing

Columbia Vehicle Group, Inc.
A Nordic Group Company | Business Ventures Since 1947



RACK, FULL TOP

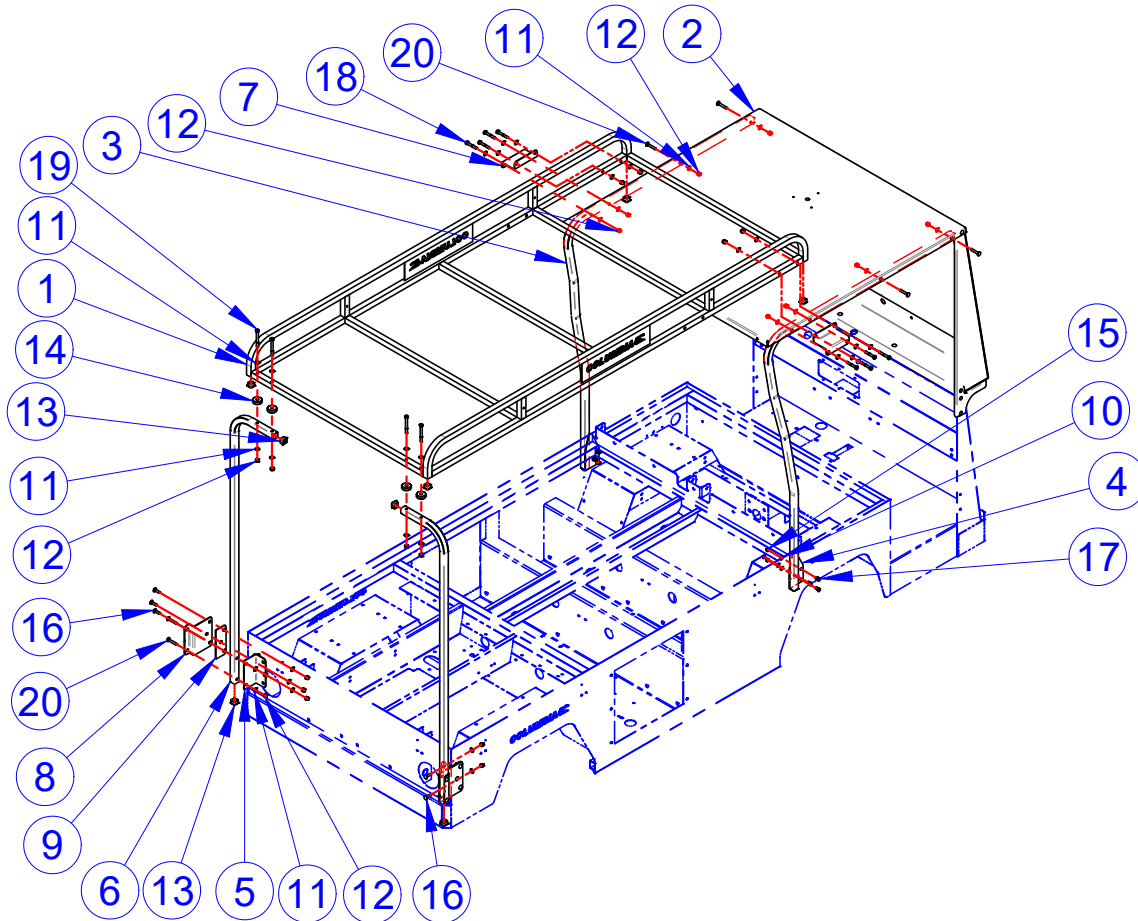


NOTE: Items with * in tables indicates parts not shown in drawing

Columbia Vehicle Group, Inc.
A Nordic Group Company | Business Ventures Since 1947



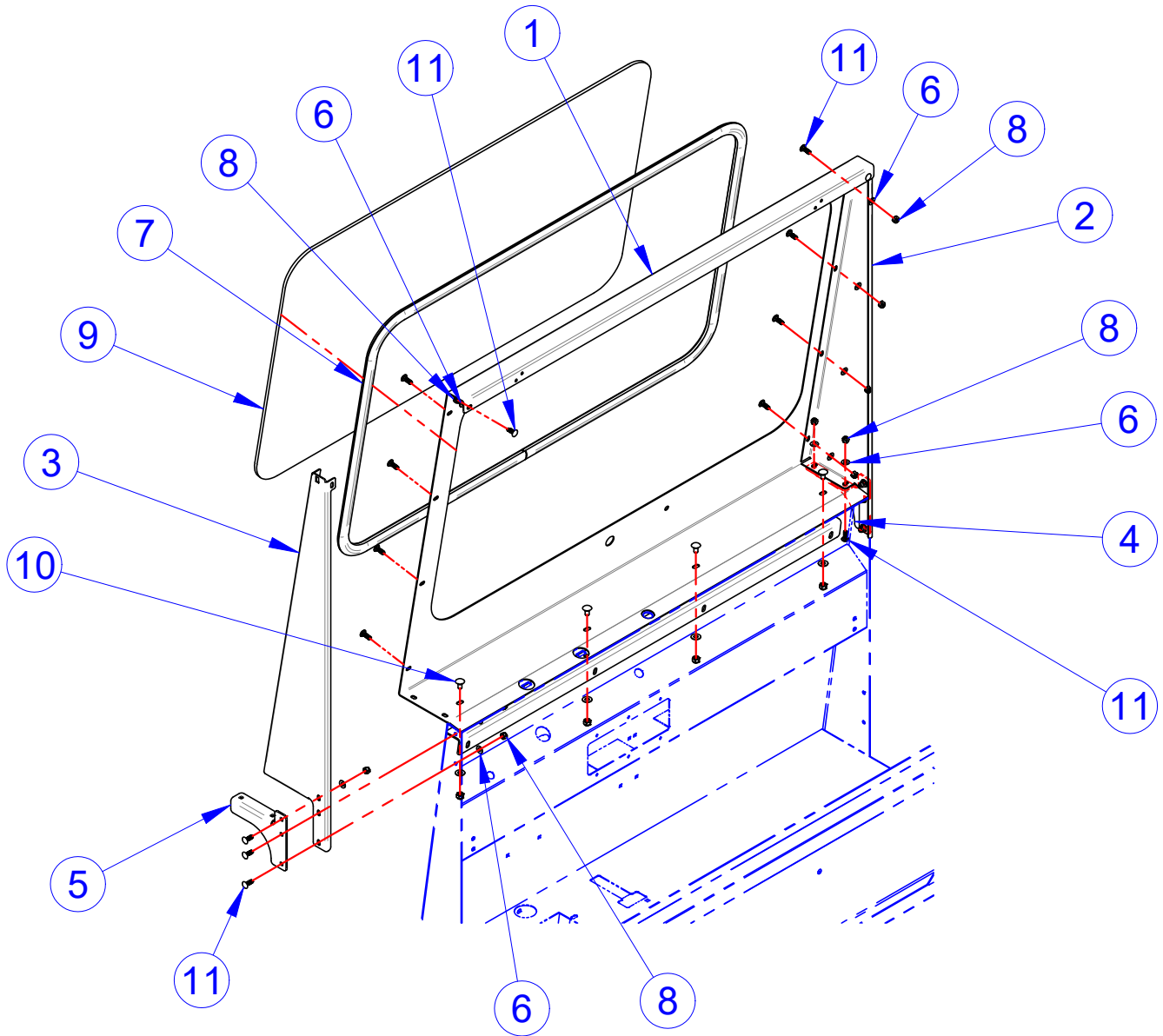
RACK, OPERATOR TOP



ITEM	PART #	DESCRIPTION	QTY	REF #
1-20	194633A	P&A, BC OPERATOR TOP, BLK	KIT	194633A
1	311556TBC	CRTD, WLDMNT OVERHD RACK,SUV-L,TB	1	311556
2	312256	WLDMT, ROOF PANEL, PL TOP	1	312256
3	314597TB	WLDMT, OPERATOR TOP TUBE, LH, PL	1	314597
4	314598TB	WLDMT, OPERATOR TOP TUBE, RH, PL	1	314598
5	515918TB	BRKT, REAR UPRIGHT, BC TOP	1	515918
6	515919TB	TUBE, REAR UPRIGHT, BC TOP	1	515919
7	515922TB	BRKT, RACK MT, PAYLOADER	1	515922
8	518186TB	BRKT, CARGO TOP TUBE SPRT	1	518186
9	518187TB	SPACER, CARGO TOP TUBE SPRT	1	518187
10	708511	WASHER, FLAT 1/4" 18-8 SS	6	708511
11	719375	WSHR,5/16X0.75X0.040,F/W,18-8S/S	34	719375
12	719377	NUT, 5/16-18, L/N, NYL, NE, 18-8, S/S	30	719377
13	719526	CAPLUG, 7/8 SQ, FP-165	8	719526
14	719737	WASHER FLAT BLK DELRIN .375X1.5X.5	4	719737
15	719876	NUT, 1/4-20, L/N, NYL, NE, 316, S/S	6	719876
16	761292	SCR,5/16-18X1.0,CARR,18-8S/S	10	761292
17	781739	SCR, 1/4-20 X 0.75, CARR, 18-8, S/S	6	781739
18	782298	SCR, 5/16-18 X 2, HHCS, 18-8, S/S	8	782298
19	782717	SCR, 5/16-18 X 3, HHCS, 18-8, S/S	4	782717
20	783051	SCR, 5/16-18 X 1.75, CB, 18-8, SS	8	783051

NOTE: Items with * in tables indicates parts not shown in drawing

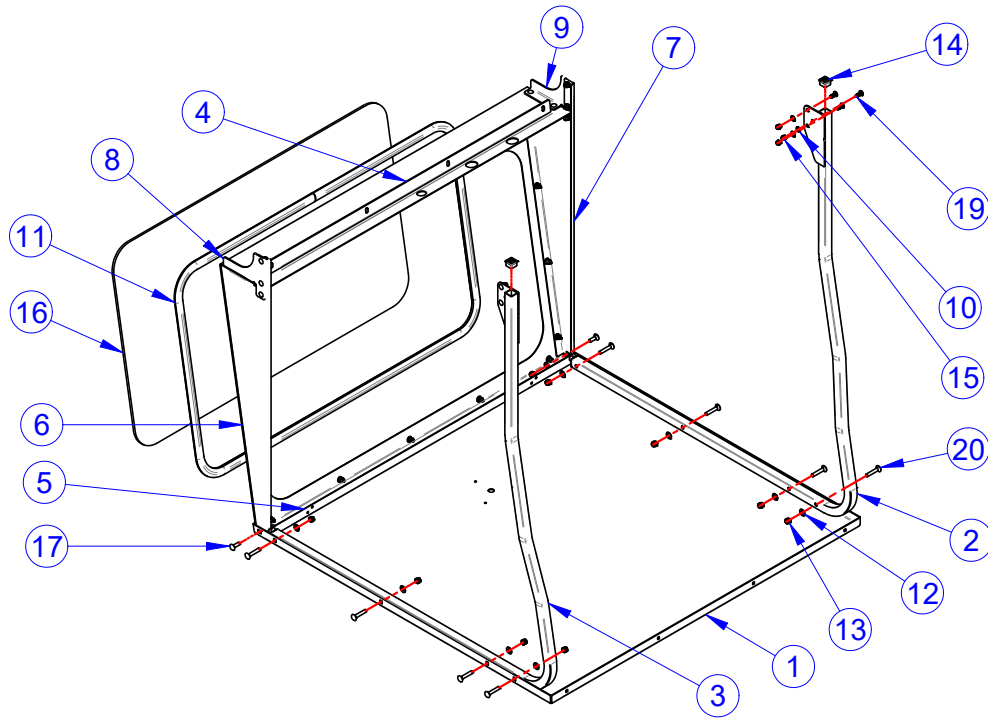
RACK, OPERATOR TOP



ITEM	PART #	DESCRIPTION	QTY	REF #
1-11	192751U	P&A, BC OPERATOR TOP, BLK	KIT	192751
1	520787	PANEL, TOP, FRONT, PL,	1	520787
2	515912	PANEL, TOP, RH	1	515912
3	515913	PANEL, TOP, LH	1	515913
4	516235TB	BRKT, TOP SPRT, RH	1	516235
5	516236TB	BRKT, TOP SPRT, LH	1	516236
6	708511	WASHER, FLAT, 1/4", 18-8SS	29	708511
7	719163	WEATHER STRIPPING, SELF-SEALING, 126" LG	11	719163
8	719876	NUT, 1/4-20, L/N, NYL, NE, 316, S/S	27	719876
9	468351	CRATED, WINDSHLD GLASS KIT, PL	1	468351
10	761642	SCREW, 5/16-18-5/8, CARR, 18-8 SS	4	761642
11	781739	SCR, 1/4-20 X 0.75, CARR, 18-8, S/S	22	781739

NOTE: Items with * in tables indicates parts not shown in drawing

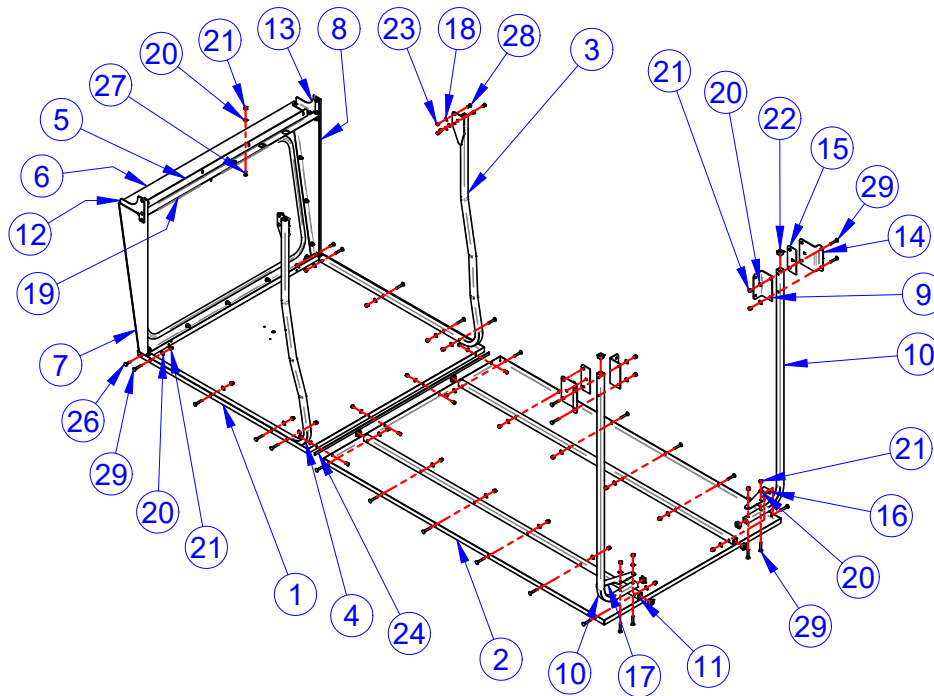
OPERATOR TOP



ITEM	PART #	DESCRIPTION	QTY	REF #
1-20	192751U	P&A, OPERATOR TOP, BLK, PL	KIT	192751
1	312256	WLDMT, ROOF PANEL, PL TOP	1	312256
2	314597TB	WLDMT, OPERATOR TOP TUBE, LH, PL	1	314597
3	314598TB	WLDMT, OPERATOR TOP TUBE, RH, PL	1	314598
4	511225	BRKT, ATTCHMT - CAB FRONT	1	511225
5	520787	PANEL, TOP, FRONT, PL,	1	520787
6	515912	PANEL, TOP, RH	1	515912
7	515913	PANEL, TOP, LH	1	515913
8	516235TB	BRKT, TOP SPRT, RH	1	516235
9	516236TB	BRKT, TOP SPRT, LH	1	516236
10	708511	WASHER, FLAT 1/4" 18-8 SS	31	708511
11	719163	WEATHER STRIPPING, SELF-SEALING, 126" LG	11	719163
12	719375	WSHR,5/16X0.750X0.040,F/W,18-8S/S	18	719375
13	719377	NUT, 5/16-18, L/N, NYL, NE, 18-8, S/S	18	719377
14	719526	CAPLUG, 7/8 SQ, FP-165	4	719526
15	719876	NUT, 1/4-20, L/N, NYL, NE, 316, S/S	31	719876
16	468351	CRATED, WINDSHLD GLASS KIT, PL	1	468351
17	761292	SCR,5/16-18X1.0,CARR,18-8S/S	6	761292
18*	761642	SCREW,5/16-18-5/8,CARR,18-8 SS	4	761642
19	781739	SCR, 1/4-20 X 0.75, CARR, 18-8, S/S	31	781739
20	783051	SCR, 5/16-18 X 1.75, CB, 18-8, SS	8	783051

NOTE: Items with * in tables indicates parts not shown in drawing

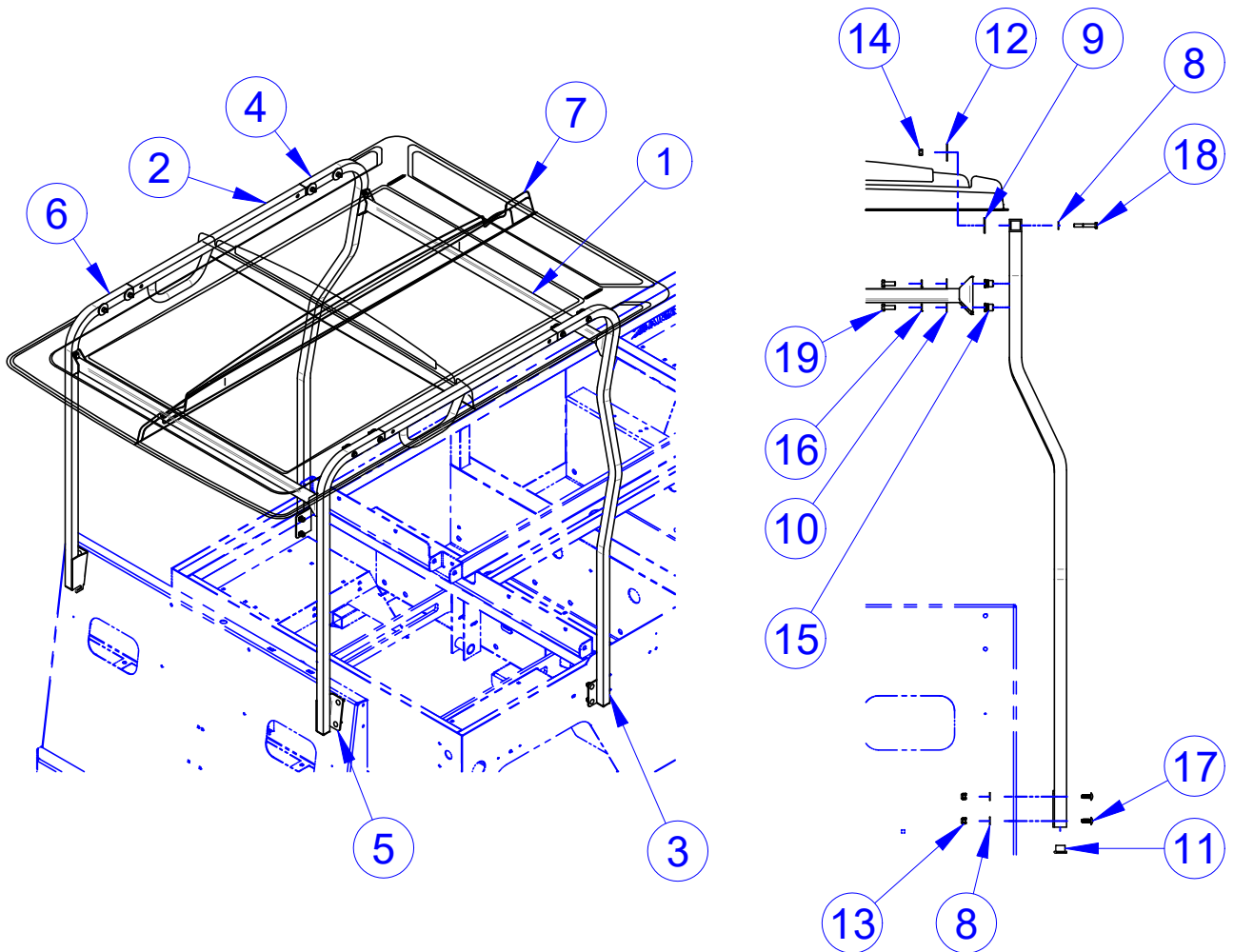
FULL TOP



ITEM	PART #	DESCRIPTION	QTY	REF #
1	312256	WLDMT, ROOF PANEL, PL TOP	1	312256
2	312259TB	WLDMT, EXT ROOF PANEL, BC TOP	1	312259
3	314597TB	WLDMT, OPERATOR TOP TUBE, LH, PL	1	314597
4	314598TB	WLDMT, OPERATOR TOP TUBE, RH, PL	1	314598
5	511225	BRKT, ATTCHMT - CAB FRONT	1	511225
6	520787	PANEL, TOP, FRONT, PL,	1	520787
7	515912	PANEL, TOP, RH	1	515912
8	515913	PANEL, TOP, LH	1	515913
9	515918TB	BRKT, REAR UPRIGHT, BC TOP	2	515918
10	515919TB	TUBE, REAR UPRIGHT, BC TOP	2	515919
11	515921TB	TUBE, EXT ROOF, BC TOP	2	515921
12	516235TB	BRKT, TOP SPRT, RH	1	516235
13	516236TB	BRKT, TOP SPRT, LH	1	516236
14	518186TB	BRKT, CARGO TOP TUBE SPRT	2	518186
15	518187TB	SPACER, CARGO TOP TUBE SPRT	2	518187
16	518188TB	BRKT, CARGO TOP SPRT, LH	1	518188
17	518189TB	BRKT, CARGO TOP SPRT, RH	1	518189
18	708511	WASHER, FLAT, 1/4", 18-8SS	35	708511
19	719163	WEATHER STRIPPING, SELF-SEALING, 126" LG	10.5	719163
20	719375	WSHR, 5/16X0.75X0.040, F/W, 18-8S/S	48	719375
21	719377	NUT, 5/16-18, L/N, NYL, NE, 18-8SS	48	719377
22	719526	CAPLUG, 7/8 SQ, FP-165	12	719526
23	719876	NUT, 1/4-20, L/N, NYL, NE, 316, S/S	35	719876
24	739272	TAPE, FOAM, 1/8 X 1/2, 45" LONG	3.75	739272
25*	468351	CRATED, WINDSHLD GLASS KIT, PL	1	468351
26	761292	SCR, 5/16-18X1.0, CARR, 18-8S/S	16	761292
27	761642	SCREW, 5/16-18-5/8, CARR, 18-8 SS	4	761642
28	781739	SCR, 1/4-20 X 0.75, CARR, 18-8, S/S	35	781739
29	783051	SCR, 5/16-18 X 1.75, CB, 18-8, SS	28	783051

NOTE: Items with * in tables indicates parts not shown in drawing

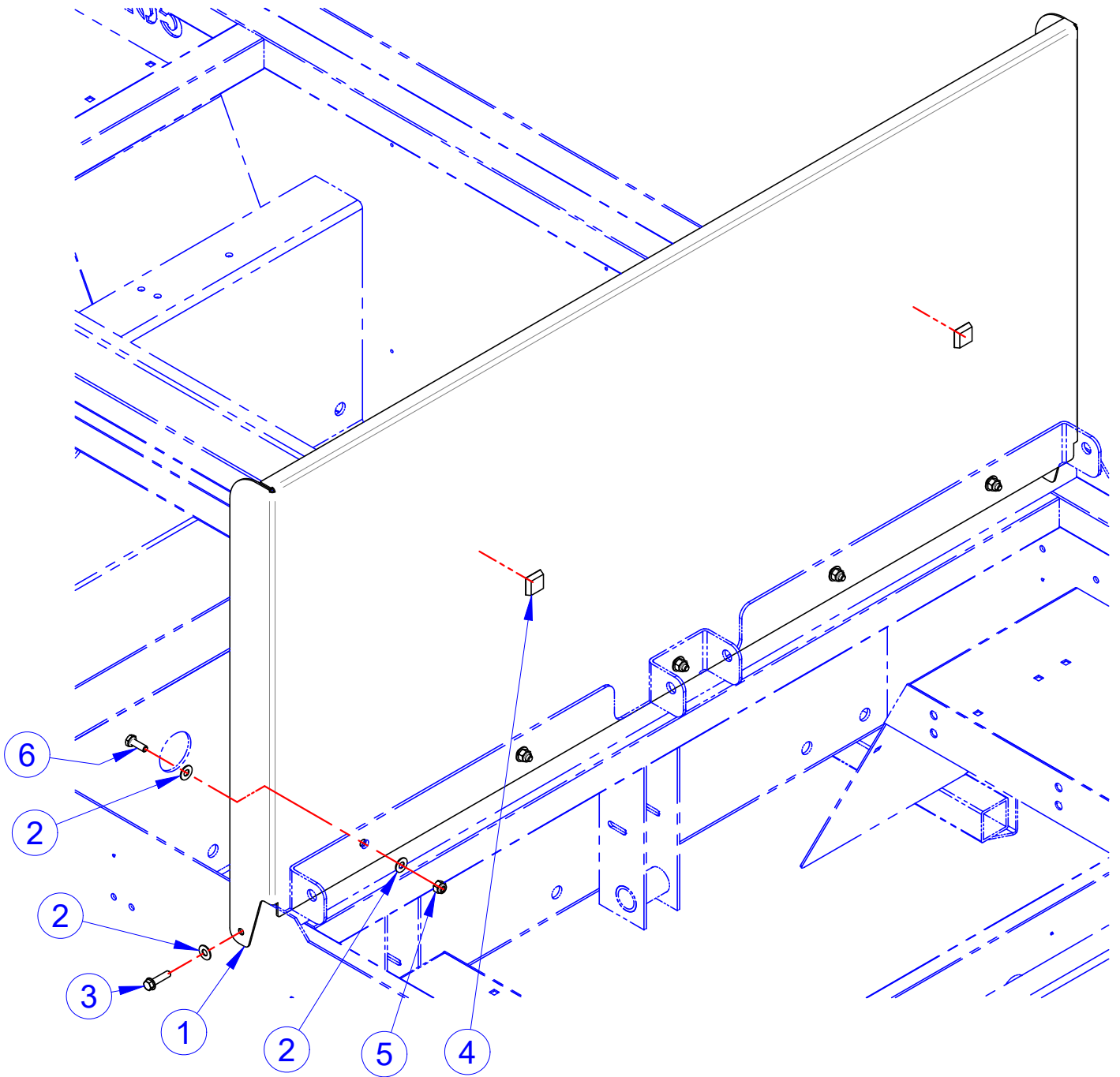
SUNTOP, 63"



ITEM	PART #	DESCRIPTION	QTY	REF #
1	307854	WLDMT, SE CROSSBRACE, UPPER	2	307854
2	307856EP	SUNTOP HANDLE, EP	2	307856EP
3	311576TB	WLDMT, TUBE, LH REAR BC SUNTOP	1	311576
4	311577TB	WLDMT, TUBE, RH REAR BC SUNTOP	1	311577
5	311578TB	WLDMT, TUBE, LH FRONT BC SUNTOP	1	311578
6	311579TB	WLDMT, TUBE, RH FRONT BC SUNTOP	1	311579
7	464764	MACH, RAINDRAIN, P4 BRT WHT	1	464764
	468116	P&A MACH RAINDRAIN P4/UTL BLK 78DEG	1	468116
8	708511	WASHER, FLAT, 1/4", 18-8SS	16	708511
9	709003	WASHER, .34"X1.25"X.09", NEOPRENE	8	709003
10	719375	WSHR, 5/16X0.75X0.040, F/W, 18-8S/S	8	719375
11	719525	CAPLUG, 3/4 SQ, FP-161	4	719525
12	719786	WASHER FLT STAINLESS .28X1.375X.06	8	719786
13	719876	NUT, 1/4-20, L/N, NYL, NE, 316, S/S	8	719876
14	719894	NUT, 1/4-20 GR B TOP LOCK BLK ZINC	8	719894
15	719929	NUT, 5/16-18, RIV, KNRLD, 0.027-0.150, YWZC	8	719929
16	781621	WSHR, 5/16, L/W, SPLIT, 18-8, S/S	8	781621
17	781739	SCR, 1/4-20 X 0.75, CARR, 18-8, S/S	8	781739
18	782786	SCREW, 1/4-20X1.75, HHSC, 18-8SS	8	782786
19	782834	SCREW, 5/16-18X7/8, HHSC, 18-8SS	8	782834

NOTE: Items with * in tables indicates parts not shown in drawing

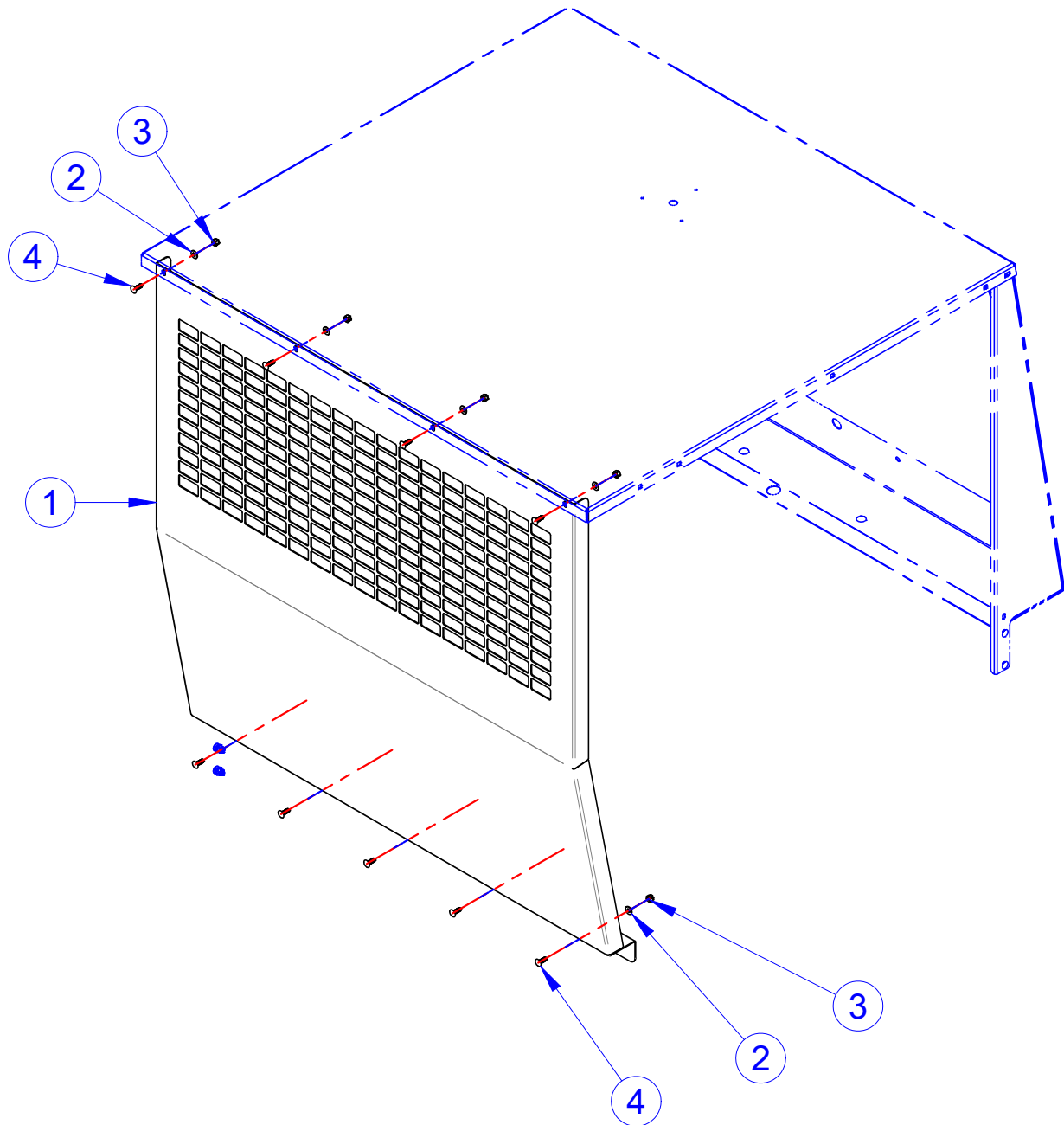
STEEL BULKHEAD



ITEM	PART #	DESCRIPTION	QTY	REF #
1-6	191422U	P&A KIT, PL BULKHEAD	KIT	191422
1	310731TB	PANEL, BULKHEAD, PL	1	310731
2	708511	WASHER, FLAT, 1/4", 18-8SS	12	708511
3	761639	SCREW, 1/4-20X1.0, FCSHTR, 18-8 SS	2	761639
4	719738	BUMPER BLACK 3M#SJ5023	2	719738
5	719876	NUT, 1/4-20, L/N, NYL, NE, 316, S/S	5	719876
6	782784	SCREW, 1/4-20X3/4, HHCS, 18-8SS	5	782784

NOTE: Items with * in tables indicates parts not shown in drawing

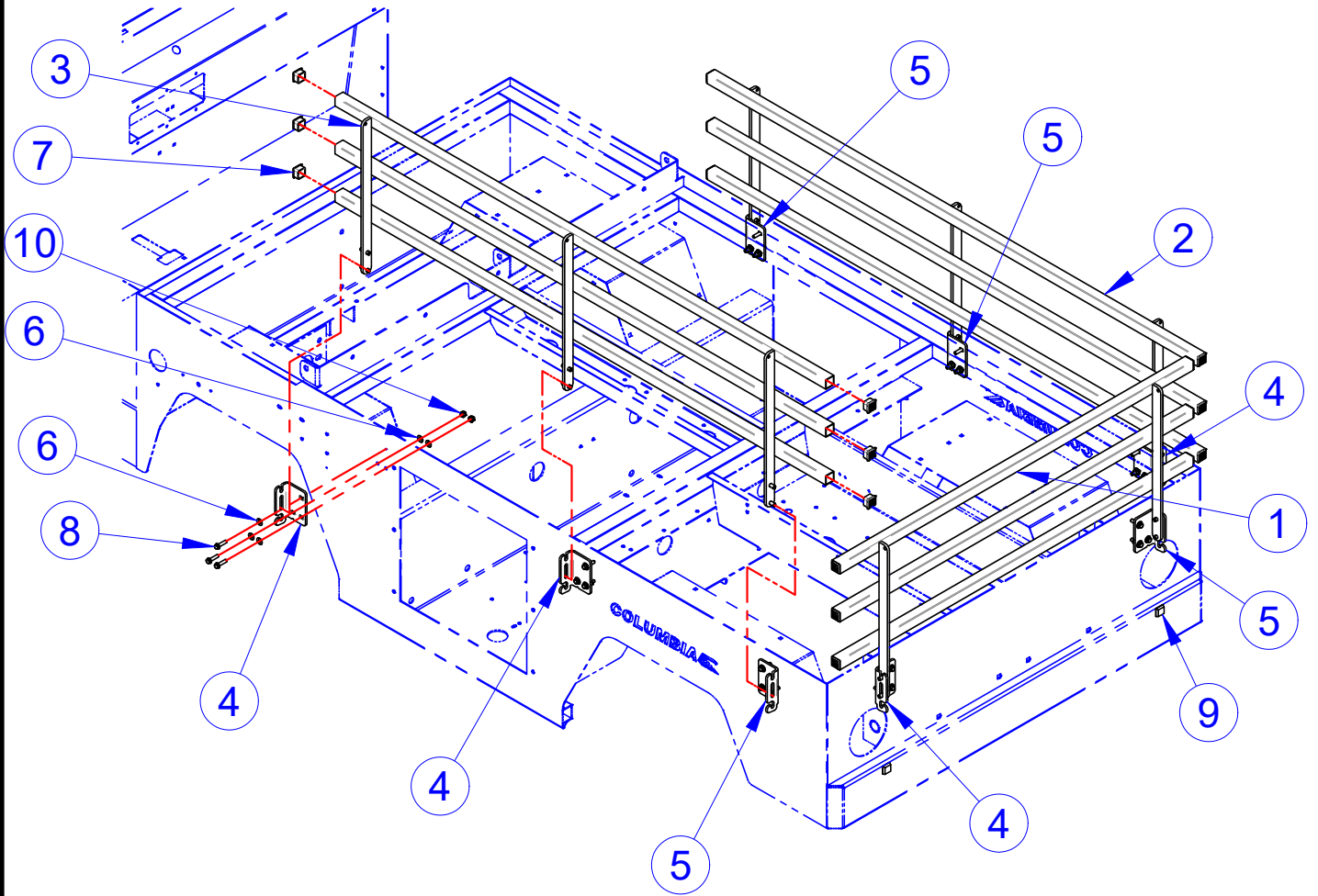
BULKHEAD/ REAR SCREEN



ITEM	PART #	DESCRIPTION	QTY	REF #
1-4	192755U	P&A, GROUP, BULKHEAD, TOP, PL	KIT	192755
1	312260TB	WLDMT, BULKHEAD, BC TOP	1	312260
2	708511	WASHER, FLAT, 1/4", 18-8SS	9	708511
3	719876	NUT, 1/4-20, L/N, NYL, NE, 316, S/S	9	719876
4	781739	SCR, 1/4-20 X 0.75, CARR, 18-8, S/S	9	781739

NOTE: Items with * in tables indicates parts not shown in drawing

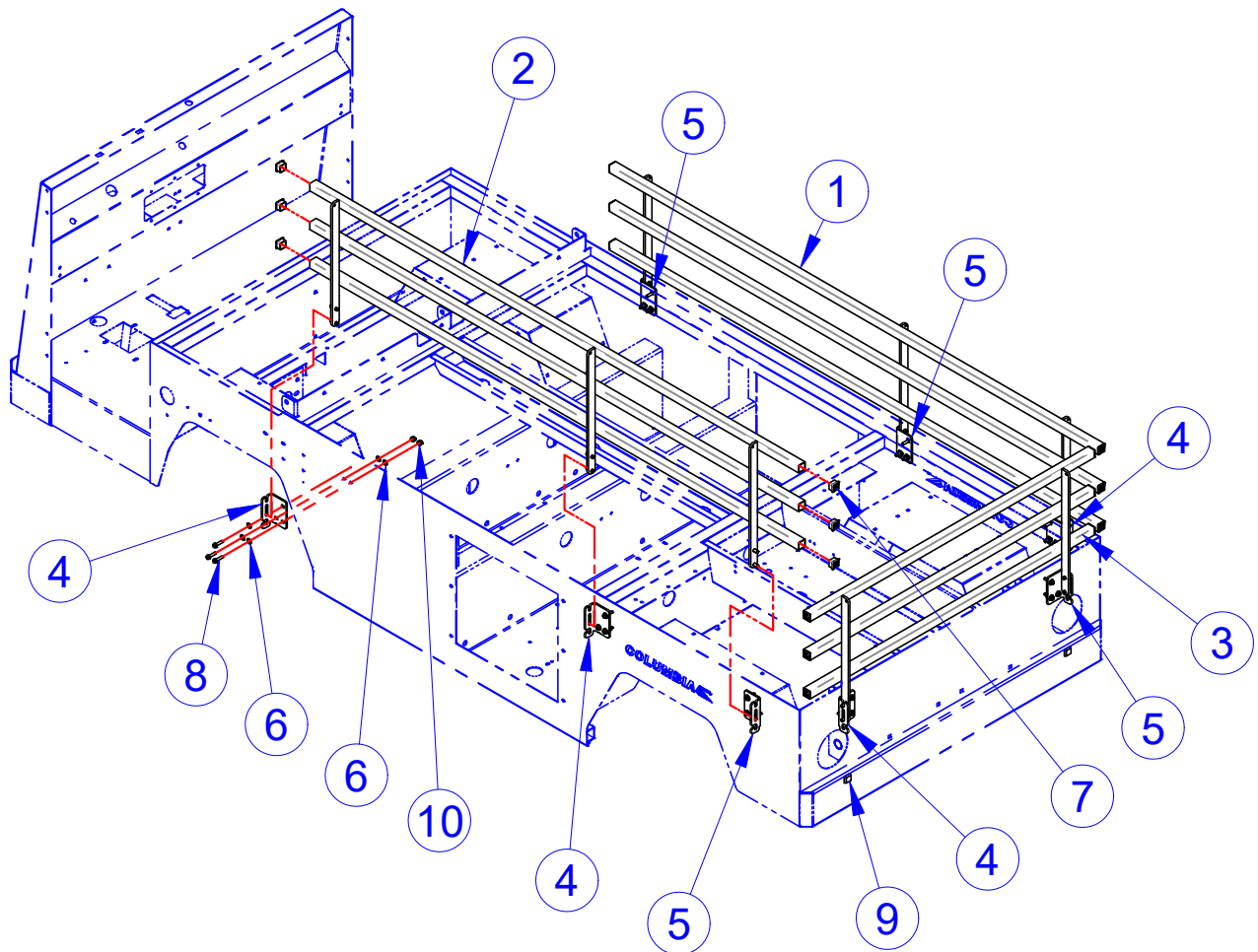
13" FOLDING SIDES, SHORT



ITEM	PART #	DESCRIPTION	QTY	REF #
1-10	192383C	CRATED, STL FOLD SIDES, 13", PL-2X	KIT	192383
1	310680TB	WLDMT, BC FOLDING TAILGATE	1	310680
2	310823TB	WLDMT, BC-S RH FOLDING SIDE	1	310823
3	310824TB	WLDMT, BC-S LH FOLDING SIDE	1	310824
4	515771TB	PLATE, MTG-A, RAIL	4	515771
5	515772TB	PLATE, MTG-B, RAIL	4	515772
6	708511	WASHER, FLAT, 1/4", 18-8SS	40	708511
7	719526	CAPLUG, 7/8 SQ, FP-165	18	719526
8	761639	SCREW, 1/4-20X1.0, FCSHTR, 18-8 SS	24	761639
9	719738	BUMPER BLACK 3M#SJ5023	2	719738
10	719876	NUT, 1/4-20, L/N, NYL, NE, 316, S/S	16	719876

NOTE: Items with * in tables indicates parts not shown in drawing

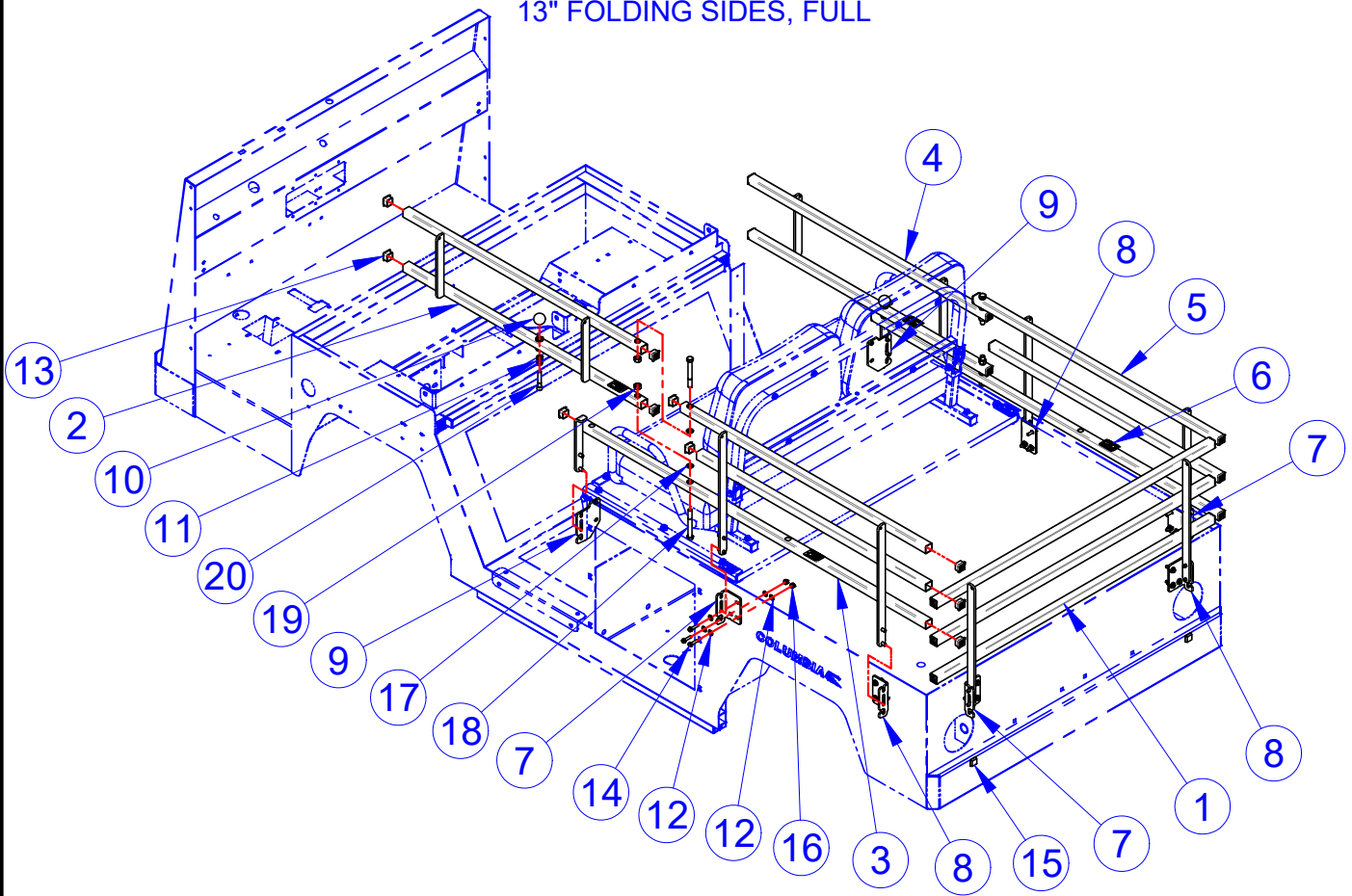
13" FOLDING SIDES, LONG



ITEM	PART #	DESCRIPTION	QTY	REF #
1-10	192384C	CRATED, STL FOLD SIDES, 13", PL-2XL	KIT	192384
1	310678TB	WLDMT, BC-L RH FOLDING SIDE	1	310678
2	310679TB	WLDMT, BC-L LH FOLDING SIDE	1	310679
3	310680TB	WLDMT, BC FOLDING TAILGATE	1	310680
4	515771TB	PLATE, MTG-A, RAIL	4	515771
5	515772TB	PLATE, MTG-B, RAIL	4	515772
6	708511	WASHER, FLAT, 1/4", 18-8SS	40	708511
7	719526	CAPLUG, 7/8 SQ, FP-165	18	719526
8	761639	SCREW, 1/4-20X1.0, FCSHTR, 18-8 SS	24	761639
9	719738	BUMPER BLACK 3M#SJ5023	2	719738
10	719876	NUT, 1/4-20, L/N, NYL, NE, 316, S/S	16	719876

NOTE: Items with * in tables indicates parts not shown in drawing

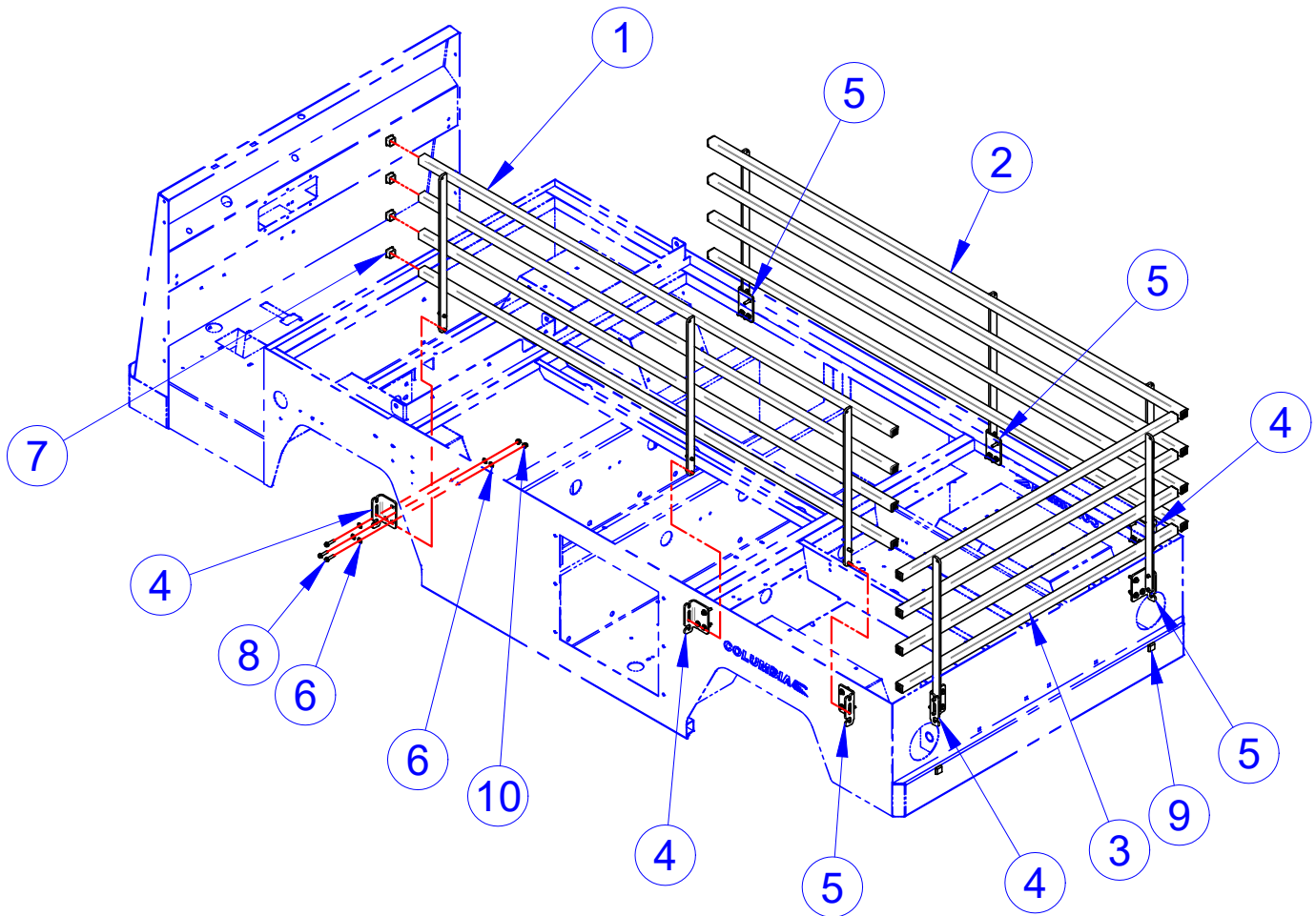
13" FOLDING SIDES, FULL



ITEM	PART #	DESCRIPTION	QTY	REF #
1-20	192738C	CRATED, STL FOLD SIDES 13', PL-2ND	KIT	192738
1	310680TB	WLDMT, BC FOLDING TAILGATE	1	310680
2	312238TB	WLDMT, BC-2ND LF RAIL	1	312238
3	312239TB	WLDMT, LR RAIL, BC-2ND	1	312239
4	312240TB	WLDMT, BC-2ND RF RAIL	1	312240
5	312241TB	WLDMT, RR RAIL, BC-2ND	1	312241
6	507980	PINCH WARNING	4	507980
7	515771TB	PLATE, MTG-A, RAIL	3	515771
8	515772TB	PLATE, MTG-B, RAIL	3	515772
9	515893	PLATE, MTG, BC-2ND SIDE RAILS	2	515893
10	707783	KNOB, 1 1/4" BALL, 3/8-16 THD	2	707783
11	708058	SPRING COMPRESSION .48ID 1.25LG MUS	2	708058
12	708511	WASHER, FLAT, 1/4", 18-8SS	30	708511
13	719526	CAPLUG, 7/8 SQ, FP-165	26	719526
14	761639	SCREW, 1/4-20X1.0, FCSHTR, 18-8 SS	18	761639
15	719738	BUMPER BLACK 3M#SJ5023	2	719738
16	719876	NUT, 1/4-20, L/N, NYL, NE, 316, S/S	12	719876
17	782003	WASHER, 0.440 X 0.750 X 0.093, F/W, BLK NYL	4	782003
18	782798	SCREW, 7/16-20X3-1/2, HHCS, 18-8 SS	4	782798
19	782801	NUT, 7/16-20, NYLOCK, NE, SS	4	782801
20	782804	SCREW, 3/8-16X2, SHCS, 18-8 SS	2	782804

NOTE: Items with * in tables indicates parts not shown in drawing

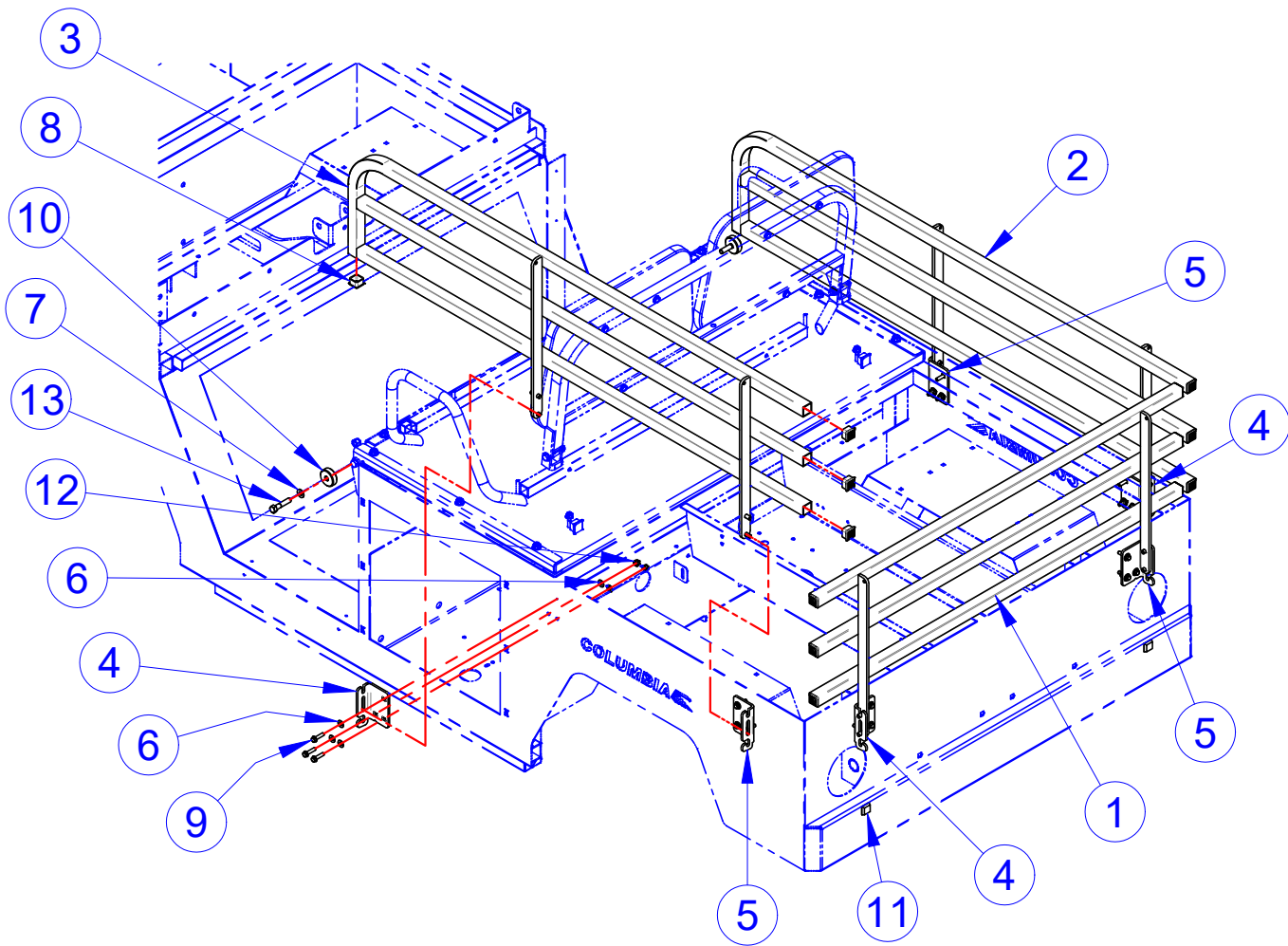
18" FOLDING SIDES



ITEM	PART #	DESCRIPTION	QTY	REF #
1-10	192730C	CRATED, STL FOLD SIDES, 18", PL-2XL	KIT	192730
1	312217TB	WLDMT, BC-L 18" LH FOLDING SIDE	1	312217
2	312218TB	WLDMT, BC-L 18" RH FOLDING SIDE	1	312218
3	312219TB	WLDMT, BC 18" FOLDING TAILGATE	1	312219
4	515771TB	PLATE, MTG-A, RAIL	4	515771
5	515772TB	PLATE, MTG-B, RAIL	4	515772
6	708511	WASHER, FLAT, 1/4", 18-8SS	40	708511
7	719526	CAPLUG, 7/8 SQ, FP-165	24	719526
8	761639	SCREW, 1/4-20X1.0, FCSHTR, 18-8 SS	24	761639
9	719738	BUMPER BLACK 3M#SJ5023	2	719738
10	719876	NUT, 1/4-20, L/N, NYL, NE, 316, S/S	16	719876

NOTE: Items with * in tables indicates parts not shown in drawing

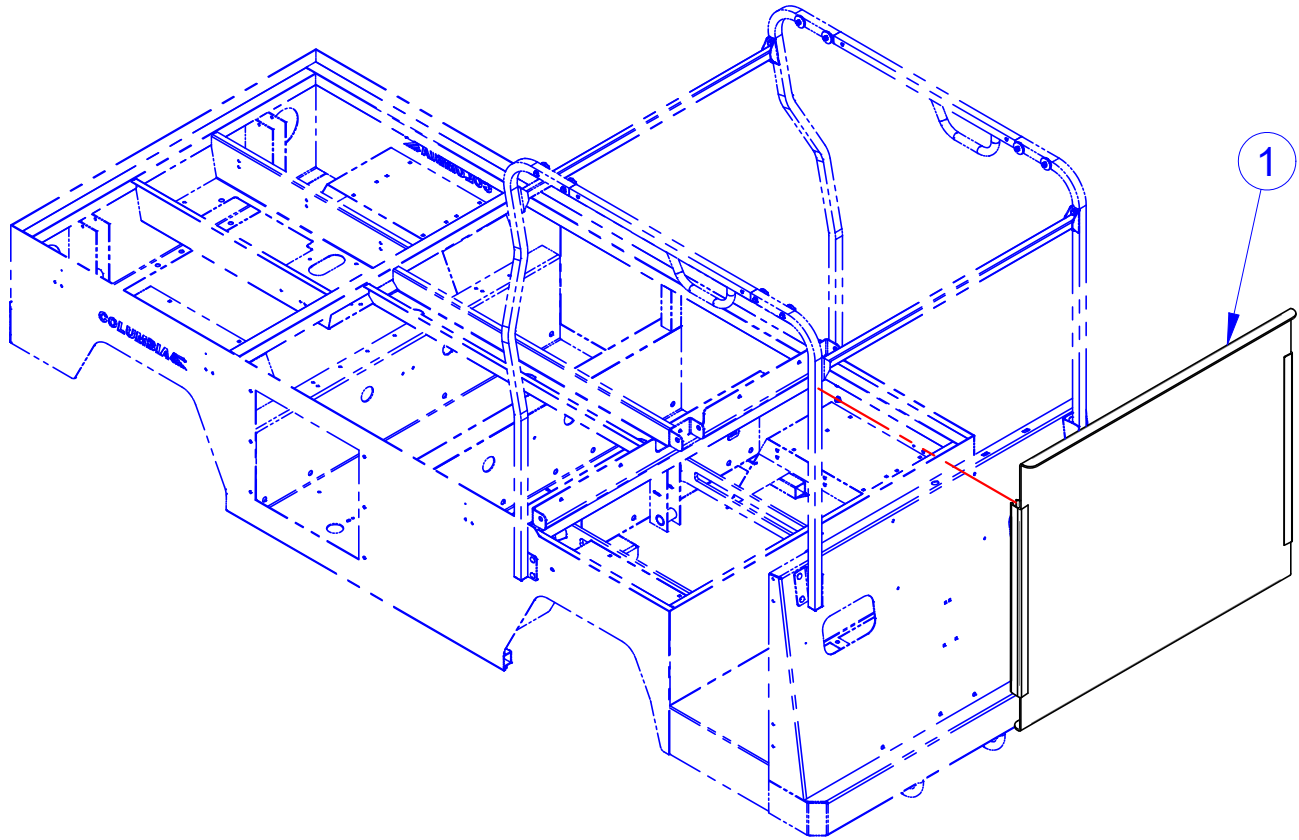
13" FOLDING SIDES WITH FOLDING 2ND ROW



ITEM	PART #	DESCRIPTION	QTY	REF #
1-13	192385C	CRATED, STL FOLD SIDES, 13" 2ND, PL	KIT	192385
1	310680TB	WLDMT, BC FOLDING TAILGATE	1	310680
2	310825TB	WLDMT, BC 2ND RH FOLDING SIDE	1	310825
3	310826TB	WLDMT, BC 2ND LH FOLDING SIDE	1	310826
4	515771TB	PLATE, MTG-A, RAIL	3	515771
5	515772TB	PLATE, MTG-B, RAIL	3	515772
6	708511	WASHER, FLAT, 1/4", 18-8SS	30	708511
7	719375	WSHR,5/16X0.750X0.040,F/W,18-8S/S	2	719375
8	719526	CAPLUG, 7/8 SQ, FP-165	14	719526
9	761639	SCREW,1/4-20X1.0,FCSHTR,18-8 SS	18	761639
10	719737	WASHER FLAT BLK DELRIN .375X1.5X.5	2	719737
11	719738	BUMPER BLACK 3M#SJ5023	2	719738
12	719876	NUT, 1/4-20, L/N, NYL, NE, 316, S/S	12	719876
13	781788	SCREW,3/8-16X1-3/4,HHCS,18-8 SS	2	781788

NOTE: Items with * in tables indicates parts not shown in drawing

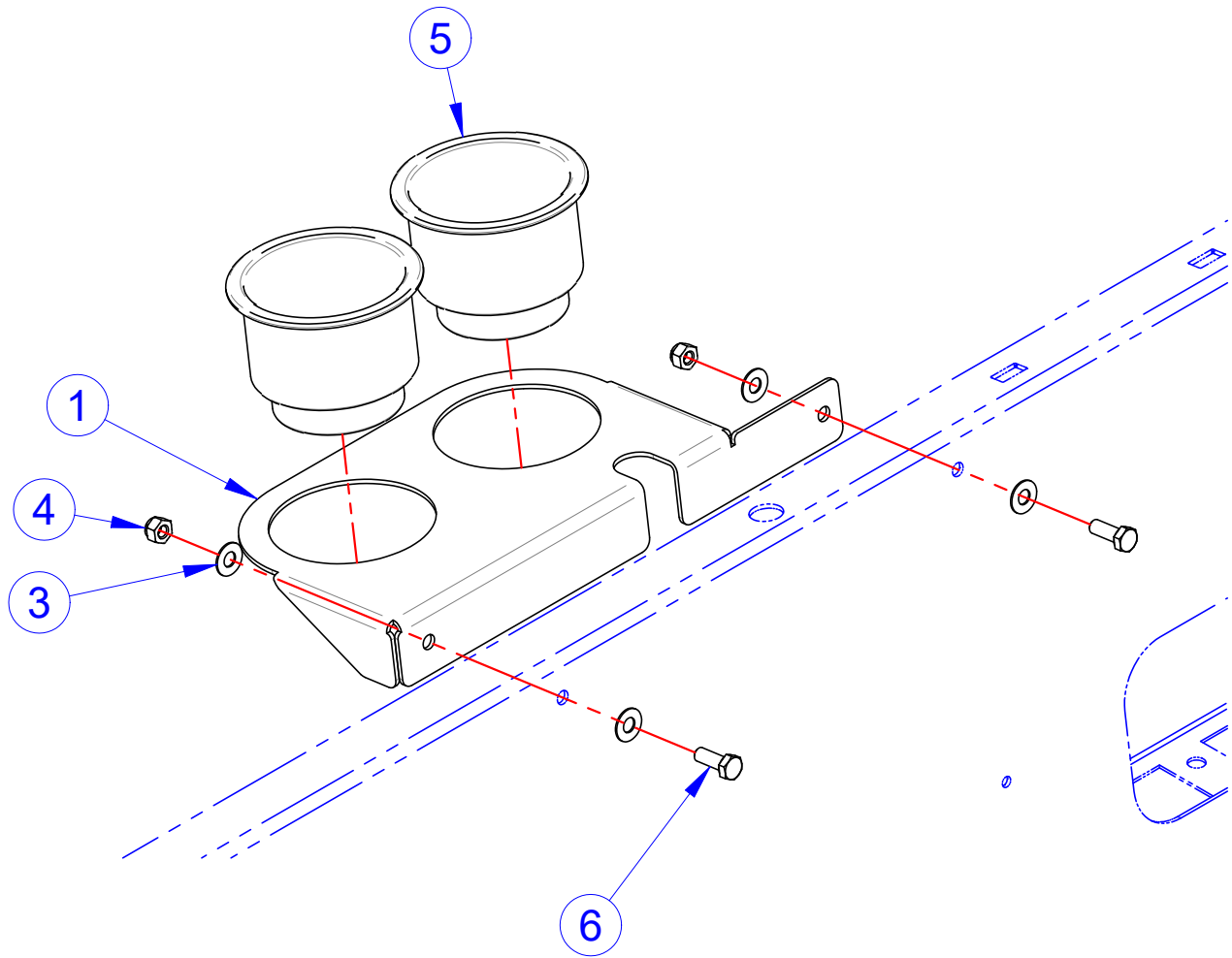
WINDSHIELD, ACRYLIC, TINTED



ITEM	PART #	DESCRIPTION	QTY	REF #
1	760949	WINDSHIELD, BC, TINTED ACRYLIC	1	760949

NOTE: Items with * in tables indicates parts not shown in drawing

CUP HOLDERS

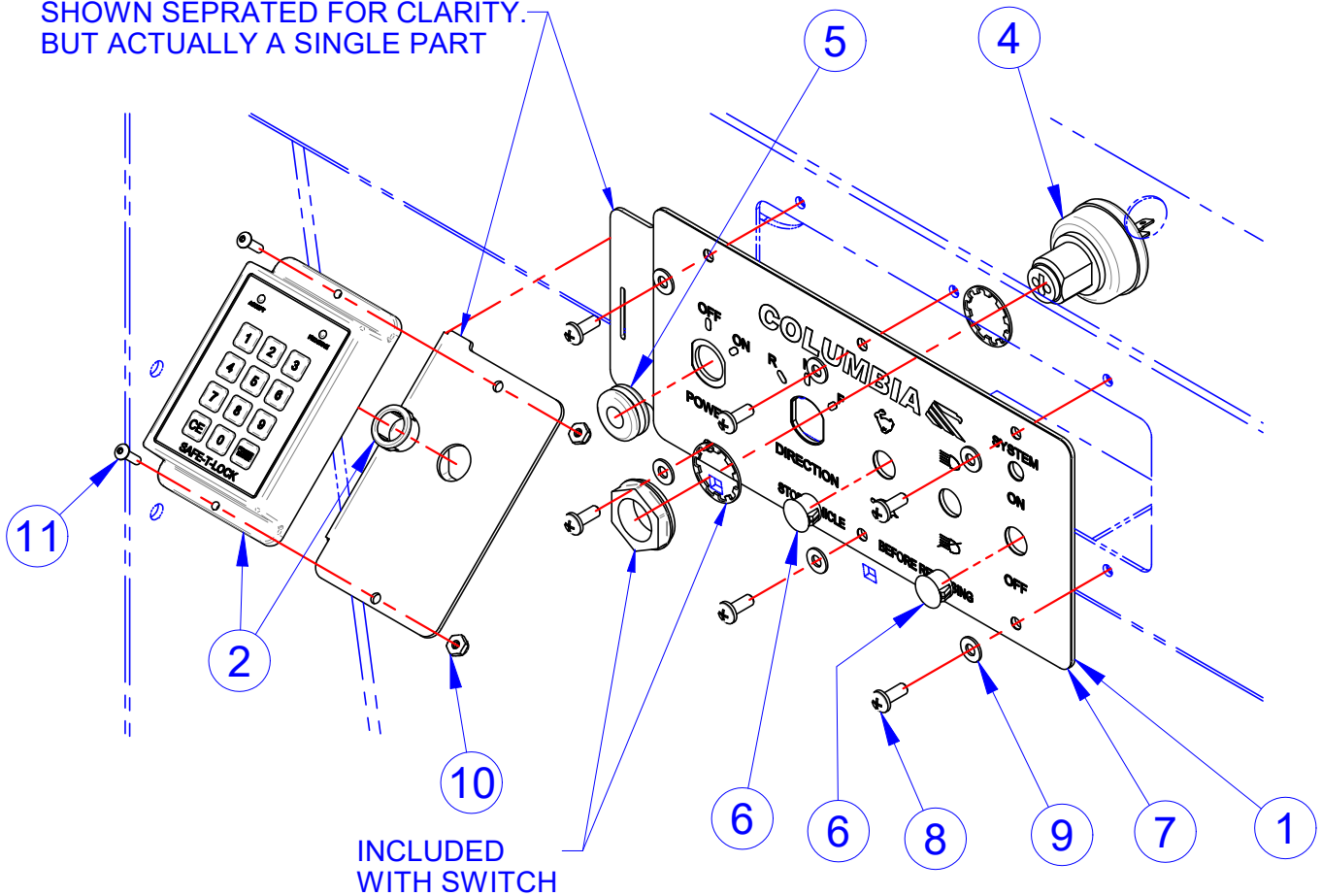


ITEM	PART #	DESCRIPTION	QTY	REF #
1	314901TB	WLDMT, CUP HOLDER BRKT, PL	1	314901
2*	719355	MOLDING, BLACK	1	719355
3	719375	WSHR, 5/16X0.750X0.040, F/W, 18-8S/S	4	719375
4	719377	NUT, 5/16-18, L/N, NYL, NE, 18-8SS	2	719377
5	729553	CUP HOLDER	2	729553
6	782834	SCREW, 5/16-18X7/8, HHSC, 18-8SS	2	782834

NOTE: Items with * in tables indicates parts not shown in drawing

KEYPAD

SHOWN SEPRATED FOR CLARITY.
BUT ACTUALLY A SINGLE PART

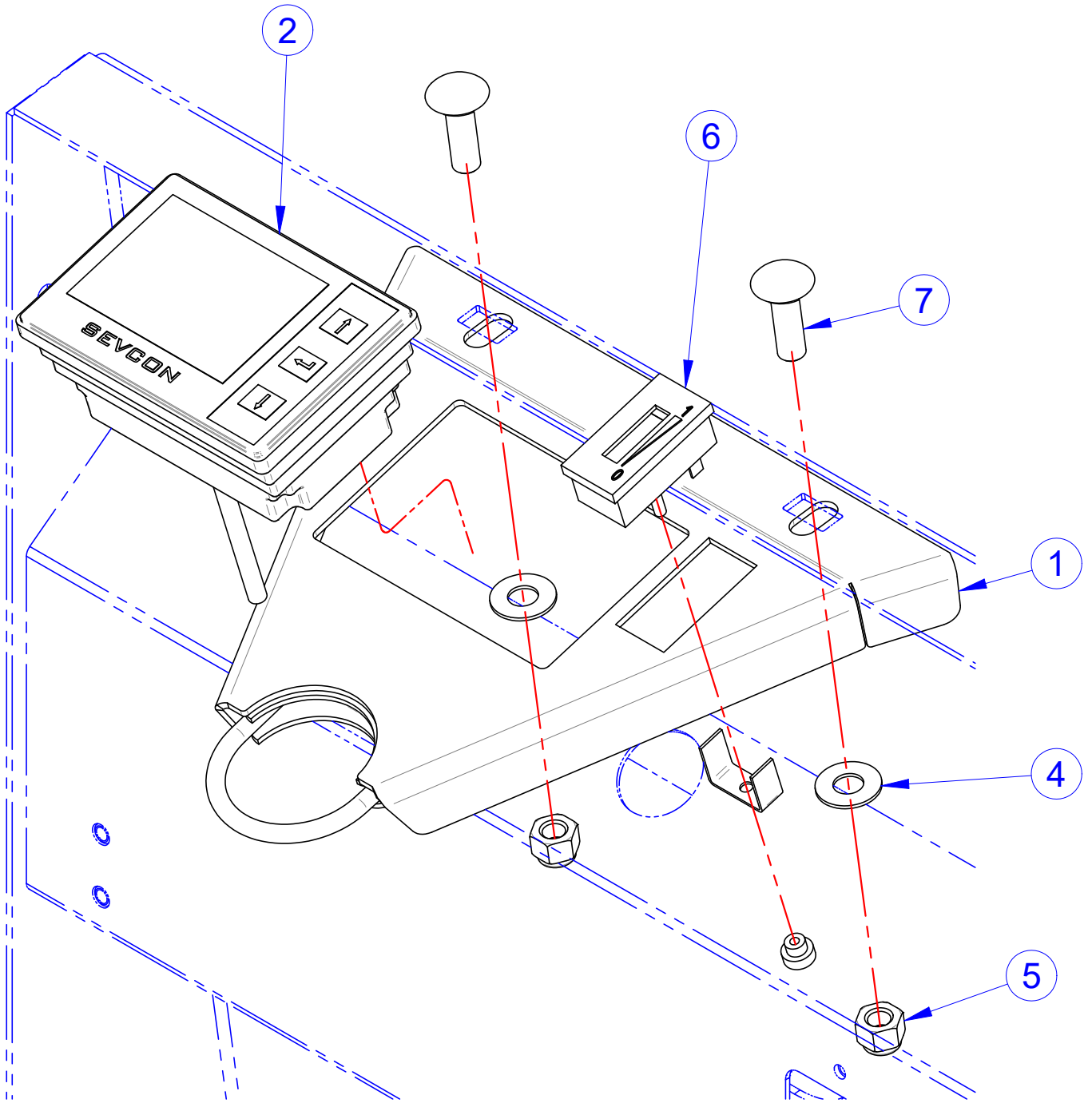


INCLUDED
WITH SWITCH

ITEM	PART #	DESCRIPTION	QTY	REF #
1	314902TB	WLDMT, DASH PANEL, KEYPAD, PL	1	314902
2	468304	ASSY, KEYPAD	1	468304
3*	468305	HARNESH, KEYPAD SUB, PL	1	468305
4	709040	KEYSWITCH, UNIVERSAL "A" W/HRDWR	1	709040
5	719522	GROMMET, 3/8 X 7/8	1	719522
6	719798	PLUG 1/2 HOLE BLACK HEYCO #2643	2	719798
7	760768	OVERLAY, DASHBOARD, BC, SEP EX, LED	1	760768
8	761632	SCREW, #10-24X1/2" PPH GRD 18-8 SS	6	761632
9	782722	WSHR, #10 X 0.438 X 0.031, FW, 18-8SS	6	782722
10	782738	NUT, #6-32, L/N, NYL, NM, 18-8, S/S	2	782738
11	782744	SCR, #6-32 X 0.5, BSHCS, 18-8, S/S	2	782744

NOTE: Items with * in tables indicates parts not shown in drawing

CLEAR VIEW+DIGITAL BDI



ITEM	PART #	DESCRIPTION	QTY	REF #
1	314693TB	WLDMT,UPR STRG,CLR/VW+DIG.BDI,BC	1	314693
2	468260	PROG, CLEARVIEW, SEPARATE BDI	1	468260
3*	468286	HARNESS, DIGITAL BDI, PL	1	468286
4	708859	WASHER,3/8,STD,FW,18-8SS	2	708859
5	708860	NUT, 3/8-16, L/N, NYL, NE, 18-8, S/S	2	708860
6	1007217	BATTERY POWER LEVEL INDICATOR	1	1007217
7	782724	SCR, 3/8-16 X 1.25, CARR, 18-8, S/S	2	782724

NOTE: Items with * in tables indicates parts not shown in drawing