



COLUMBIA

CHARIOT

PARTS MANUAL **2024**



PREFACE

Welcome, and congratulations on your choice of vehicle from Columbia Vehicle Group! Your vehicle has been designed and manufactured to conform to applicable sections of ANSI B56.8. Your safe use and operation of your vehicle is important to us. Any alteration of your Columbia vehicle that results in the vehicle being in noncompliance with applicable ANSI standards is strictly prohibited. Columbia Vehicle Group is not responsible or liable for any damage that results from any such alteration, and all warranties for any such altered vehicles are null and void.

Personal Transport Vehicles (PTV) are not designed for over-the-road use. They do not conform to Federal Motor Vehicle Safety Standards or EPA regulations, and are not equipped for operation on public streets, roads, or highways.

Low Speed Vehicles (LSV) commonly referred to as NEV or Neighborhood Electric Vehicles meet the requirements of the National Highway Traffic & Safety Administration (NHTSA) as stated in the Code of Federal Regulations, Title 49, Part 571, Standard 500, Low Speed Vehicles.

To the best knowledge of Columbia Vehicle Group, the material contained herein is accurate as of the date this publication was approved for printing. Columbia Vehicle Group is not liable for errors in this manual or for incidental or consequential damages that result from the use of the material in this manual. Columbia Vehicle Group reserves the right to change specifications, equipment or designs at any time without notice and without incurring obligation.

This manual contains proprietary information that is protected by copyright. All rights are reserved. No part of this manual may be photocopied, reproduced, or translated to another language without the written consent of Columbia Vehicle Group. Columbia Vehicle Group products are manufactured under one or more of the following U.S. Patents - 2986162, 2987934, 3116089, 3144631, 3144860, 3229792, 3434887, 3559773, 3673359, 3680403, 3683716, 3709317, 4648473, Des. 225626.



Table of Contents

Section
Tab Page

SECTION 1 BRAKES

1.01 5

Brake Hubs

1.02 6

Spindles

1.03 7

Treadle

1.04 8

SECTION 2 FRONT SUSPENSION / STEERING

2.01 9

Steering

2.02 10

SECTION 3 REAR SUSPENSION / DRIVE TRAIN

3.01 12

Drive System

3.02 13

Drive System with Reverse

3.03 14

SECTION 4 WHEELS

4.01 15

Wheels

4.02 16

SECTION 5 BODY

5.01 17

Knee Pad

5.02 18

Fenders

5.03 19

Fender & Control Panel Hardware

5.04 20

SECTION 6 ELECTRICAL

6.01 21

Power Switch

6.02 22

Hour Meter

6.03 23

Speed Control Switch

6.04 24

Control Panel

6.05 25

Control Panel with Reverse

6.06 26

12V Battery Hardware

6.07 27

Charger

6.08 28

Charger Extension Cord

6.09 29

Drive Arm

6.10 30

Strobe Light

7.02

32





COLUMBIA

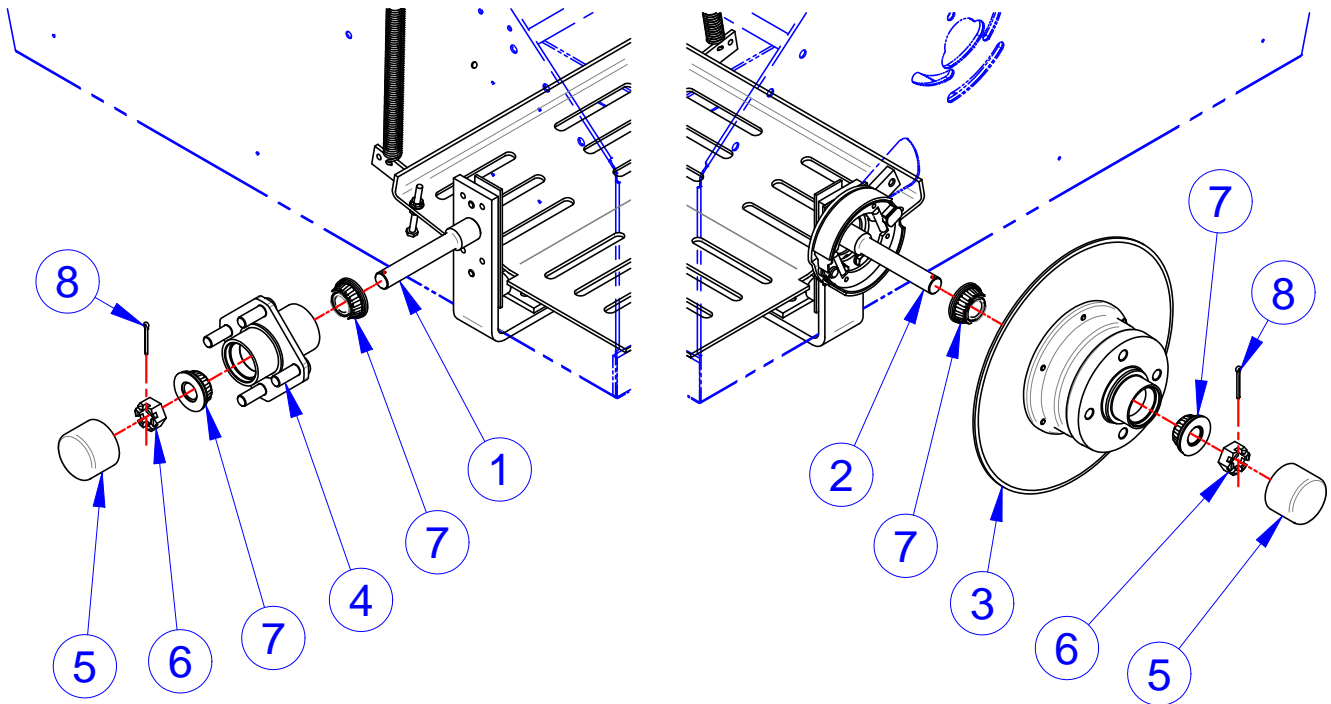
CHARIOT

PARTS MANUAL

SECTION 1

BRAKES

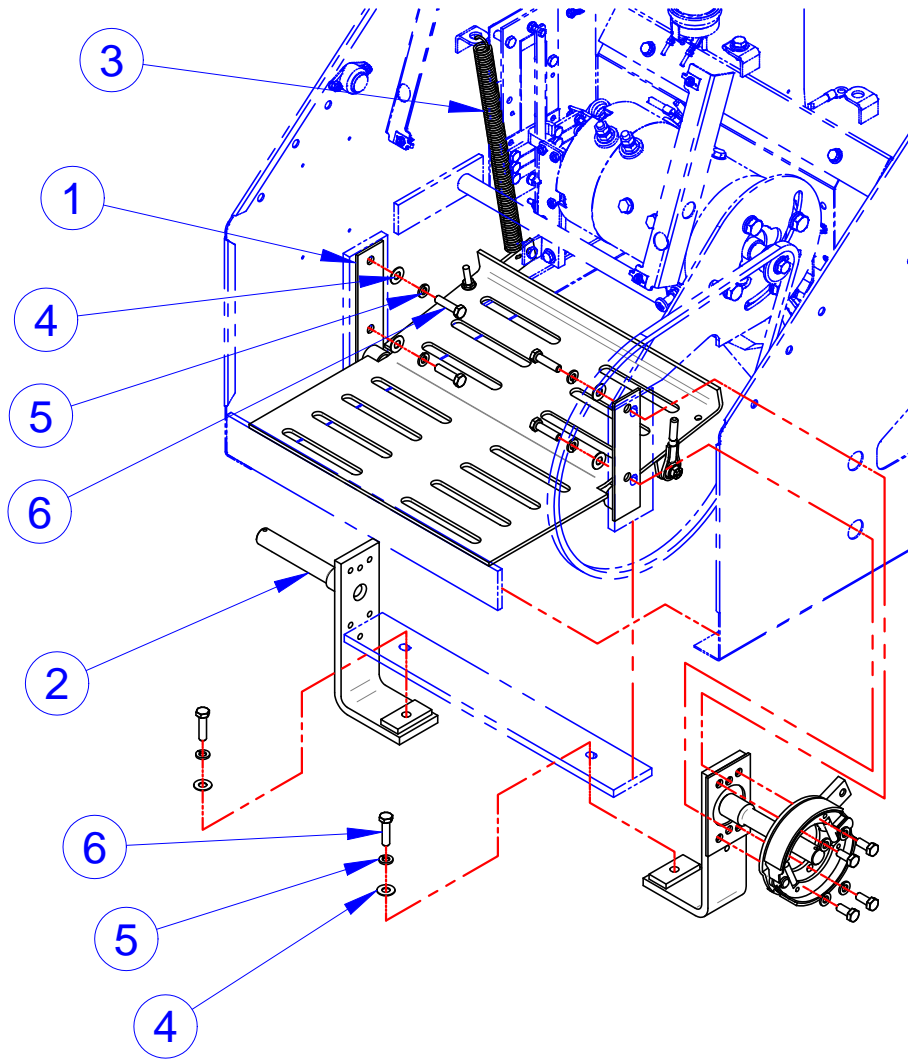
HUBS



ITEM	CVG PN	DESCRIPTION	QTY	REF #
1	306016WX	SPINDLE A/ - CR 10	1	306016
2	467230	ASSY, CR-10 SPINDLE & CLUSTER	1	467230
3	467331	ASSY, CR10 HUB/DRUM W/ SPROCKET	1	467331
4	467795	ASM, HUB, CR/EX	1	467795
5	709392	DUST CAP, VINYL, 2" ROUND	2	709392
6	719933	NUT, 3/4-16 SLOTTED HEX BLK, G5, YWZC	2	719933
7	749753	BEARING, TAPERED ROLLER, W/SEAL	4	749753
8	761636	PIN, 1/8X1, COTTER, EXT PRONG, 18-8 SS	2	761636

NOTE: Items with * in tables indicates parts not shown in drawing

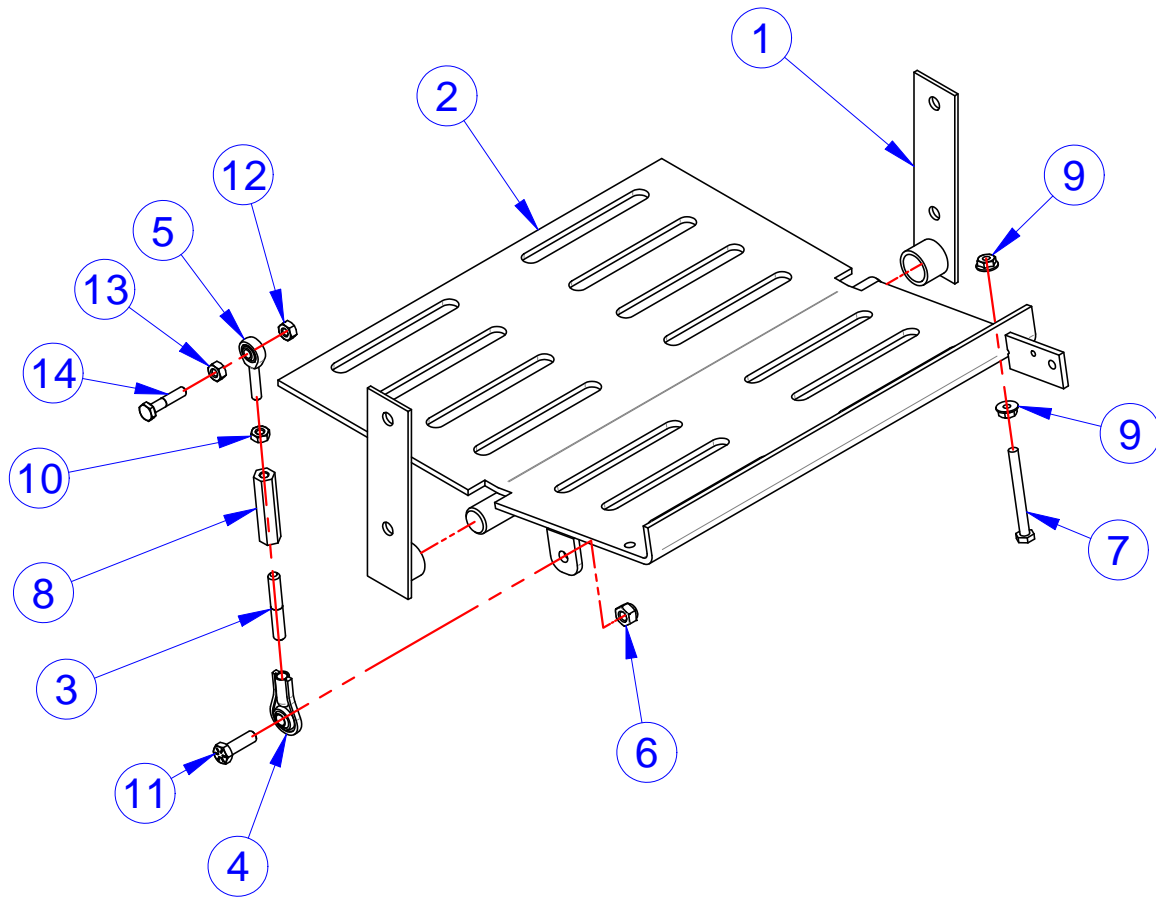
SPINDLES



ITEM	CVG PN	DESCRIPTION	QTY	REF #
1	306014	CPC CR10 TREADLE SUPT WLD	2	306014
2	306016WX	SPINDLE A/ - CR 10	1	306016
3	709644	SPRING, EXT, 3/4" X 8-1/2"	1	709644
4	719375	WSHR,5/16X0.750X0.040,F/W,18-8S/S	6	719375
5	781621	WSHR, 5/16, L/W, SPLIT, 18-8, S/S	6	781621
6	782841	SCREW,5/16-18X1-1/4,HHCS, 18-8SS	6	782841

NOTE: Items with * in tables indicates parts not shown in drawing

TREADLE



ITEM	CVG PN	DESCRIPTION	QTY	REF #
1	306014	CPC CR10 TREADLE SUPT WLD	2	306014
2	306017TB	CPC CR10 TREADLE WLD	1	306017
3	510379	CPC BRAKE LINK ROD	1	510379
4	1036639	BRG, ROD END, 5/16-24, FEMALE, RH	1	1036639
5	709649	BALL JOINT, MALE, ROD END, 1/4-28	1	709649
6	719377	NUT, 5/16-18, L/N, NYL, NE, 18-8SS	1	719377
7	719637	SCREW, 1/4-20X2-1/2, HH, TAP, G5, BLK96	1	719637
8	719658	FEMALE HEX STANDOFF, 1/2X2.12	1	719658
9	761637	NUT, 1/4-20, SERRATED FLANGE, 18-8 SS	2	761637
10	761658	NUT, 1/4-28, MACH, 18-8 SS	1	761658
11	782831	SCREW, 5/16-18X1, HHCS, MAGNI 525	1	782831
12	782838	NUT, 1/4-20, R L/N, 18-8 SS	1	782838
13	783113	NUT, 1/4-20, HN, 18-8, SS	1	783113
14	783128	SCR, 1/4-20 X 1.25, HCS, G8, ECO	1	783128

NOTE: Items with * in tables indicates parts not shown in drawing



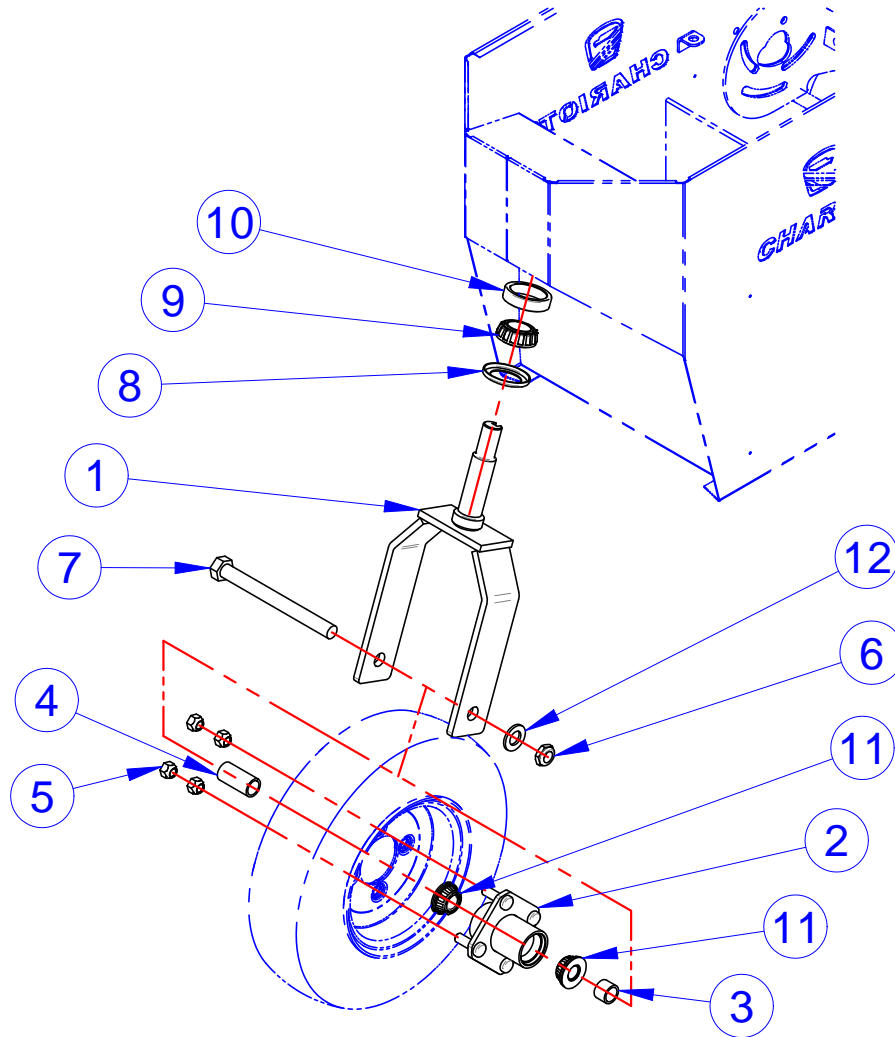
COLUMBIA

CHARIOT

PARTS MANUAL SECTION 2

FRONT SUSPENSION/ STEERING

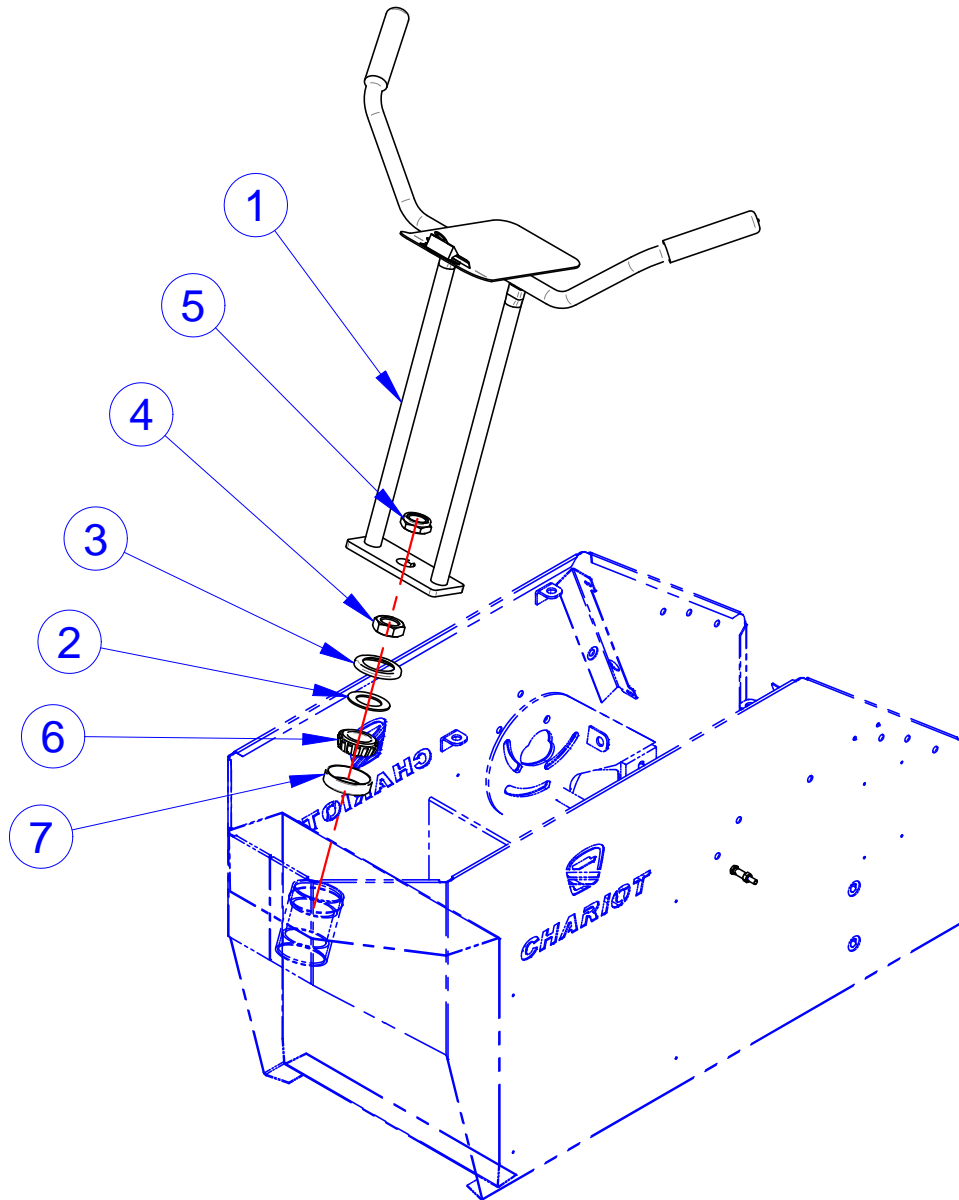
LOWER STEERING



ITEM	CVG PN	DESCRIPTION	QTY	REF #
1	306018TB	WLDMT, FRONT FORK, CR10	1	306018
2	467795	ASM, HUB, CR/EX	1	467795
3	510358	SPACER, 0.75", FRONT FORK	1	510358
4	510359	SPACER, 2.125", FRONT FORK	1	510359
5	709002	NUT, 1/2-20, TAPERED WHEEL	4	709002
6	709655	NUT, JAM, 3/4-10 X 1/2 NYLON	1	709655
7	719618	SCREW, 3/4-10X8", HHCS, G5, ZC	1	719618
8	719758	WASHER, CUPPED	1	719758
9	719959	BEARING, CONE, #15125	1	719959
10	719960	BEARING, CUP, #15250	1	719960
11	749753	BEARING, TAPERED ROLLER, W/SEAL	2	749753
12	783130	WSHR, 3/4 (M18), FW, SAE, G8, ECO	1	783130

NOTE: Items with * in tables indicates parts not shown in drawing

UPPER STEERING



ITEM	CVG PN	DESCRIPTION	QTY	REF #
1	463330	ASM, HANDLE BAR CR-10	1	463330
2	709651	WASHER, DUST-325	1	709651
3	719758	WASHER, CUPPED	1	719758
4	719885	NUT, 1-14, GR2, HEX JAM, ZC	1	719885
5	719886	NUT, 1-14, GR-A, NYLON JAM, MAGNI 525	1	719886
6	719959	BEARING, CONE, #15125	1	719959
7	719960	BEARING, CUP, #15250	1	719960

NOTE: Items with * in tables indicates parts not shown in drawing



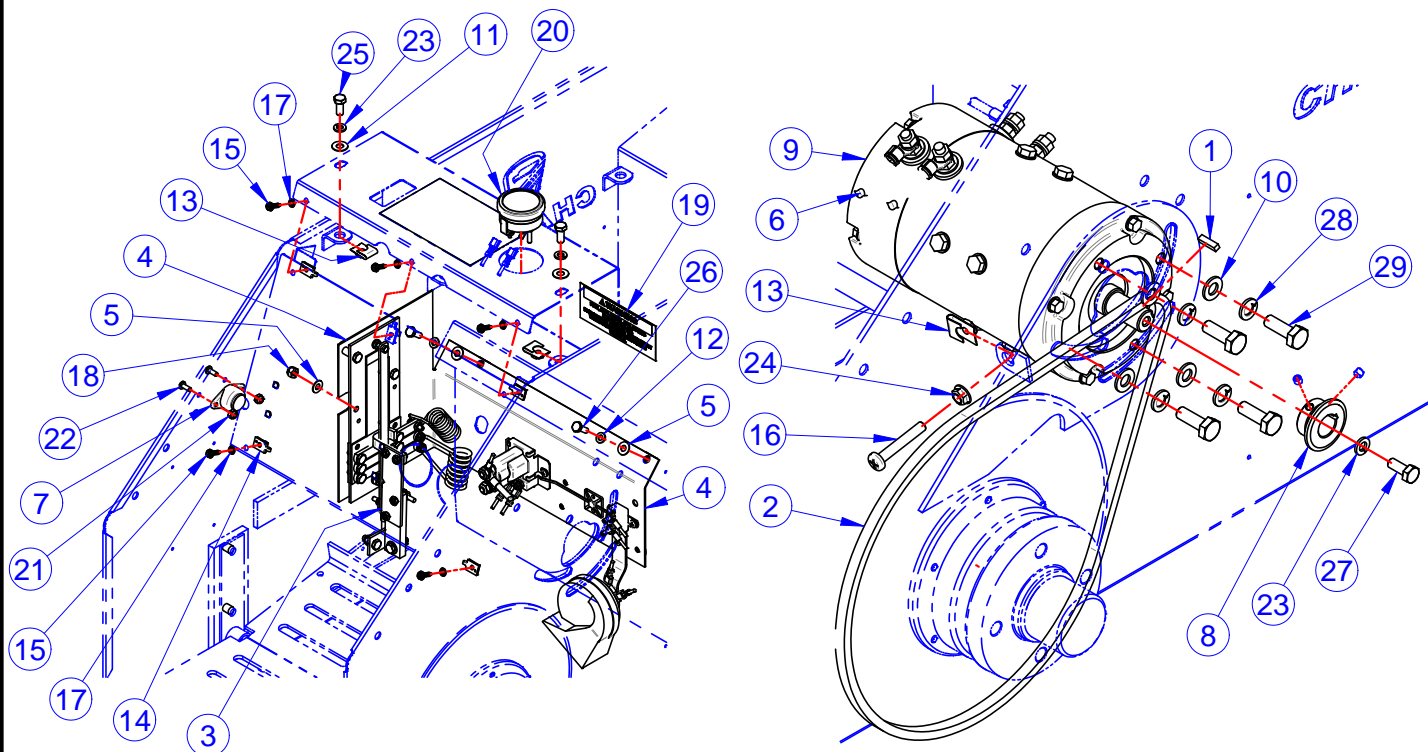
COLUMBIA

CHARIOT

PARTS MANUAL SECTION 3

REAR SUSPENSION/ DRIVE TRAIN

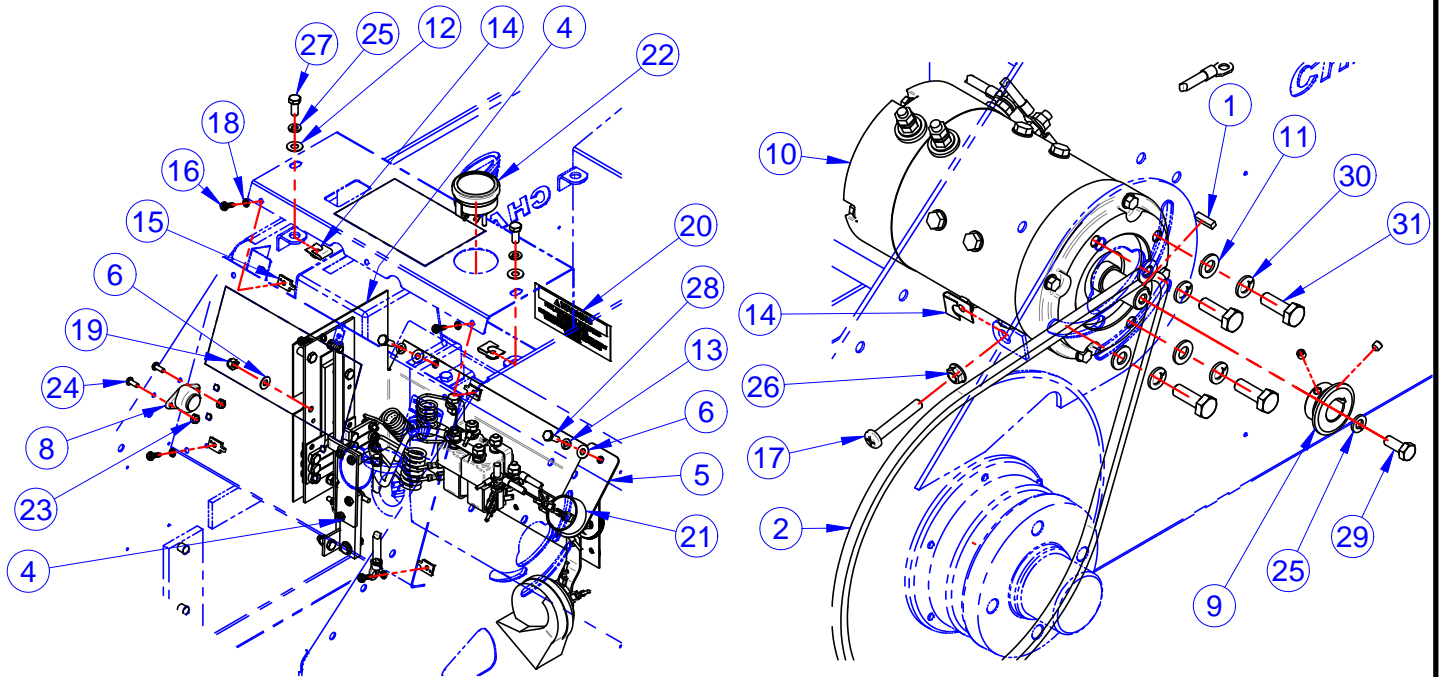
DRIVE SYSTEM



ITEM	CVG PN	DESCRIPTION	QTY	REF #
1	461334	MACH. KEY SPROCKET	1	461334
2	461337	CHAIN, #35, 55 LINK W/ MASTERL	1	461337
3	461420	ASSY, DRIVE ARM, CR	1	461420
4	467338	ASM, CR10 CONTROL PANEL	1	467338
5	708511	WASHER, FLAT, 1/4", 18-8SS	3	708511
6	709004	CABLE, 4 GA X 8.75, 5/16 TERMINALS	1	709004
7	709176	SWITCH, HORN BUTTON, SURACE MOUNT	1	709176
8	709645	SPROCKET, 13T, 3/16 KEY, #35	1	709645
9	709653	MOTOR, 12V - CHARIOT	1	709653
10	719004	WASHER, M10, 10MM X 21MM X 2.20MM, F/W, ZC	4	719004
11	719375	WSHR, 5/16X0.75X0.040, F/W, 18-8S/S	2	719375
12	719378	WSHR, 1/4 (M6), L/W, SPLIT, 18-8, S/S	2	719378
13	719537	NUT, TINNEMAN C33953-5618-4 ZINC	3	719537
14	719538	NUT, TINNEMAN, #10 U-TYPE	4	719538
15	719563	SCREW, #10X3/4, SHWH, T/S, TA, ZC	5	719563
16	719730	SCREW, 5/16-18X2.00", PPH, M/S, BLKMAX	1	719730
17	719841	WASHER, #10, I-TOOTH, YWZC	5	719841
18	719876	NUT, 1/4-20, L/N, NYL, NE, 316, S/S	1	719876
19	739546	DECAL BATTERY BOX WARNING	1	739546
20	759872	BDI, 12V - VOLTMETER STYLE	1	759872
21	761631	NUT, #10-24 GRD 18-8 NM SS NYLOCK	2	761631
22	761632	SCREW, #10-24X1/2" PPH GRD 18-8 SS	2	761632
23	781621	WSHR, 5/16, L/W, SPLIT, 18-8, S/S	3	781621
24	781694	NUT, 5/16-18 HEX, FLANGE, SERR, S/S	1	781694
25	782721	SCR, 5/16-18 X 0.75, HHCS, 18-8, S/S	2	782721
26	782784	SCREW, 1/4-20X3/4, HHCS, 18-8SS	2	782784
27	782819	SCREW, M8-1.25X25, DIN933, HHCS, A2-70SS	1	782819
28	782961	WSHR, (3/8) M10, MSLW, A2, SS	4	782961
29	782989	SCR, M10-1.5 X 30MM, HHCS, A2, S/S	4	782989

NOTE: Items with * in tables indicates parts not shown in drawing

DRIVE SYSTEM W/REV



ITEM	CVG PN	DESCRIPTION	QTY	REF #
1	461334	MACH. KEY SPROCKET	1	461334
2	461337	CHAIN, #35, 55 LINK W/ MASTERL	1	461337
3*	461420	ASSY, DRIVE ARM, CR	1	461420
4	467339	ASM, CONTROL PANEL W/ REV, CR	1	467339
5	512193	BRKT, CR10 BEEPER	1	512193
6	708511	WASHER, FLAT, 1/4", 18-8SS	3	708511
7*	709033	CABLE, 6GA X 14.00", 5/16" TERM	1	709033
8	709176	SWITCH, HORN BUTTON, SURFACE MOUNT	1	709176
9	709645	SPROCKET, 13T, 3/16 KEY, #35	1	709645
10	709653	MOTOR, 12V - CHARIOT	1	709653
11	719004	WASHER, M10, 10MM X 21MM X 2.20MM, F/W, ZC	4	719004
12	719375	WSHR, 5/16X0.750X0.040, F/W, 18-8S/S	2	719375
13	719378	WSHR, 1/4 (M6), L/W, SPLIT, 18-8, S/S	2	719378
14	719537	NUT, TINNERMAN C33953-5618-4 ZINC	3	719537
15	719538	NUT, TINNERMAN, #10 U-TYPE	4	719538
16	719563	SCREW, #10X3/4, SHWH, T/S, TA, ZC	5	719563
17	719730	SCREW, 5/16-18X2.00", PPH, M/S, BLKMAX	1	719730
18	719841	WASHER, #10, I-TOOTH, YWZC	5	719841
19	719876	NUT, 1/4-20, L/N, NYL, NE, 316, S/S	1	719876
20	739546	DECAL BATTERY BOX WARNING	1	739546
21	1007229	BUZZER. REVERSE	1	1007229
22	759872	BDI, 12V - VOLTMETER STYLE	1	759872
23	761631	NUT, #10-24 GRD 18-8 NM SS NYLOCK	2	761631
24	761632	SCREW, #10-24X1/2" PPH GRD 18-8 SS	2	761632
25	781621	WSHR, 5/16, L/W, SPLIT, 18-8, S/S	3	781621
26	781694	NUT, 5/16-18 HEX, FLANGE, SERR, S/S	1	781694
27	782721	SCR, 5/16-18 X 0.75, HHCS, 18-8, S/S	2	782721
28	782784	SCREW, 1/4-20X3/4, HHCS, 18-8SS	2	782784
29	782819	SCREW, M8-1.25X25, DIN933, HHCS, A2-70SS	1	782819
30	782961	WSHR, (3/8) M10, MSLW, A2, SS	4	782961
31	782989	SCR, M10-1.5 X 30MM, HHCS, A2, S/S	4	782989

NOTE: Items with * in tables indicates parts not shown in drawing



COLUMBIA

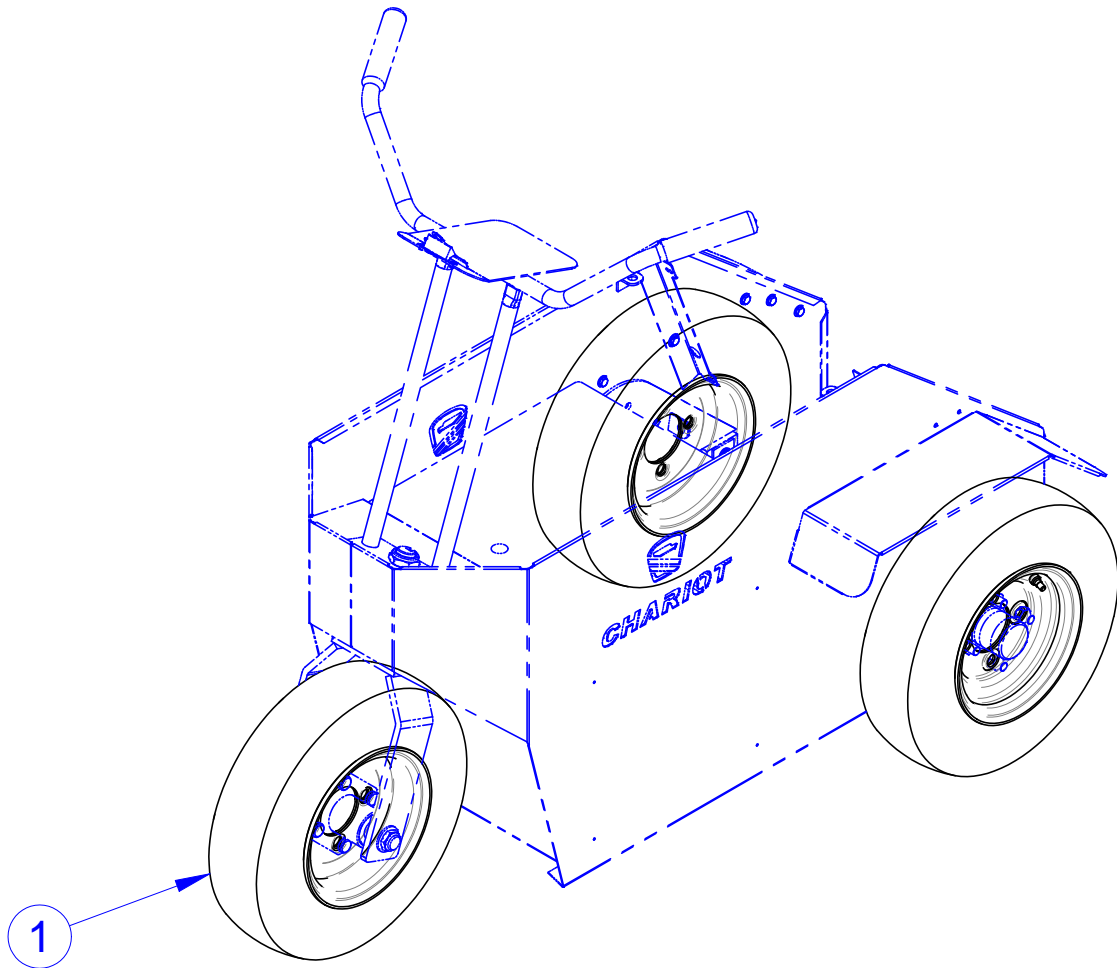
CHARIOT

PARTS MANUAL

SECTION 4

WHEELS

WHEELS



ITEM	CVG PN	DESCRIPTION	QTY	REF #
1	709107	RIM & TIRE, 4.80 X 8.00 LRB	3	709107
	760323	P&A,TIRE/WHEEL ASSY,4-H ,4.8X8NM,LR	3	760323
	761742	P&A,TIRE/WHEEL ASM,4.8X8,FLEX FOAM	3	761742

NOTE: Items with * in tables indicates parts not shown in drawing



COLUMBIA

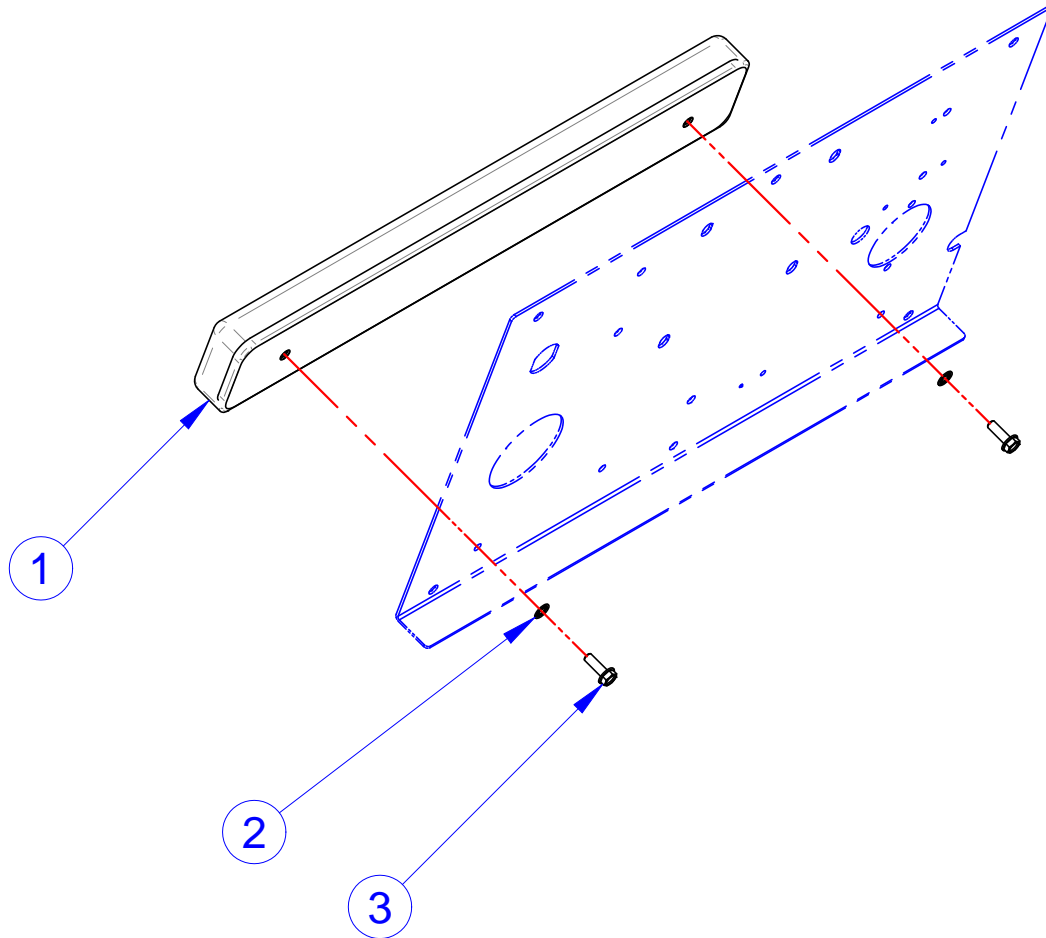
CHARIOT

PARTS MANUAL

SECTION 5

BODY

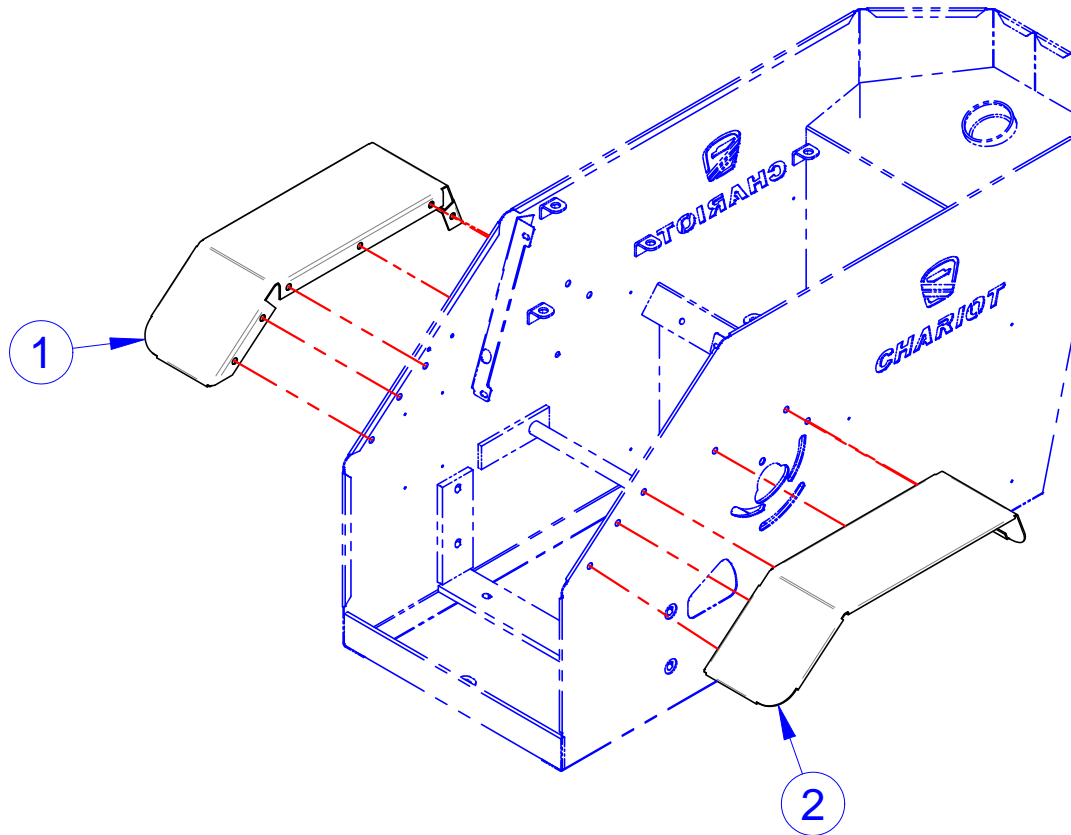
KNEE PAD



ITEM	CVG PN	DESCRIPTION	QTY	REF #
1-3	190409U	P&A KIT CR10 KNEE PAD BLACK	KIT	190409
2	719841	WASHER,#10,I-TOOTH,YWZC	2	719841
3	761652	SCREW,10-24X5/8,HWHTR,SS	2	761652

NOTE: Items with * in tables indicates parts not shown in drawing

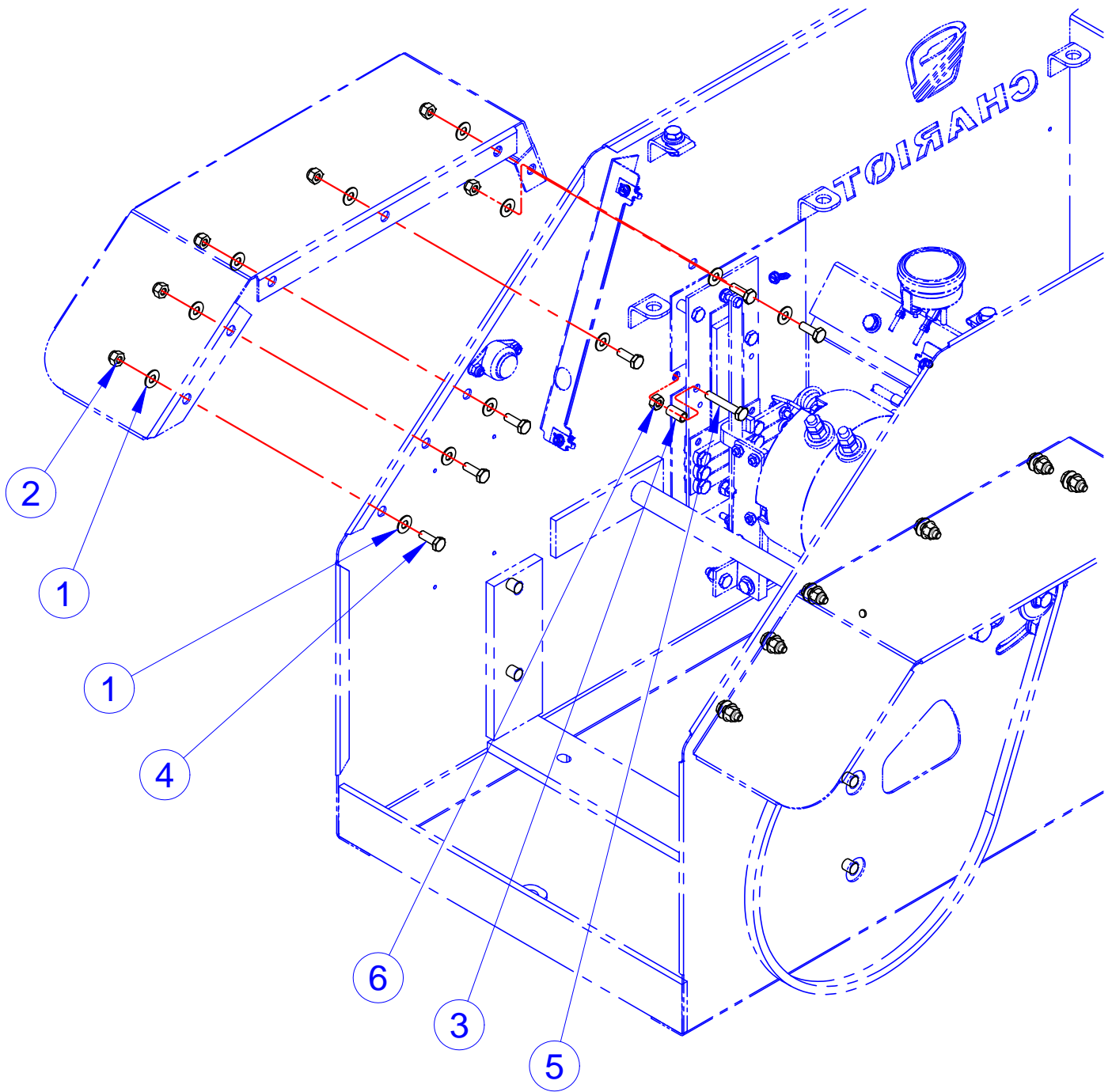
FENDERS



ITEM	CVG PN	DESCRIPTION	QTY	REF #
1	507269	FENDER, L.H. CR-10, PAINTED	1	507269
2	507270	FENDER, R.H. CR-10, PAINTED	1	507270

NOTE: Items with * in tables indicates parts not shown in drawing

FENDER & CONTROL PANEL HARDWARE



ITEM	CVG PN	DESCRIPTION	QTY	REF #
1	708511	WASHER, FLAT, 1/4", 18-8SS	24	708511
2	719876	NUT, 1/4-20, L/N, NYL, NE, 316, S/S	12	719876
3	739650	SPACER 1/4 X 5/8	1	739650
4	782784	SCREW, 1/4-20X3/4, HHCS, 18-8SS	12	782784
5	782792	SCREW, 1/4-20 X 1 1/2" HEX CAP SS 18-S	1	782792
6	783113	NUT, 1/4-20, HN, 18-8, SS	1	783113

NOTE: Items with * in tables indicates parts not shown in drawing



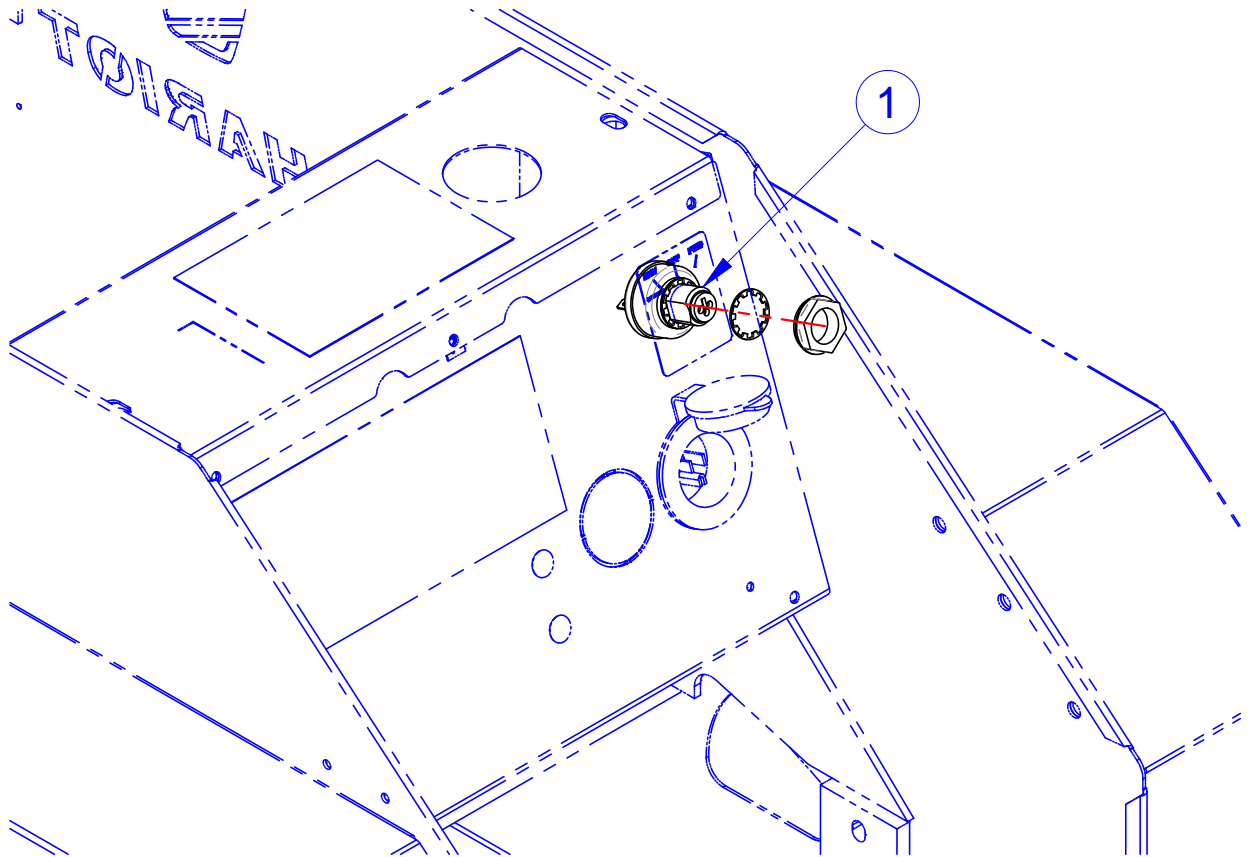
COLUMBIA

CHARIOT

PARTS MANUAL SECTION 6

ELECTRICAL

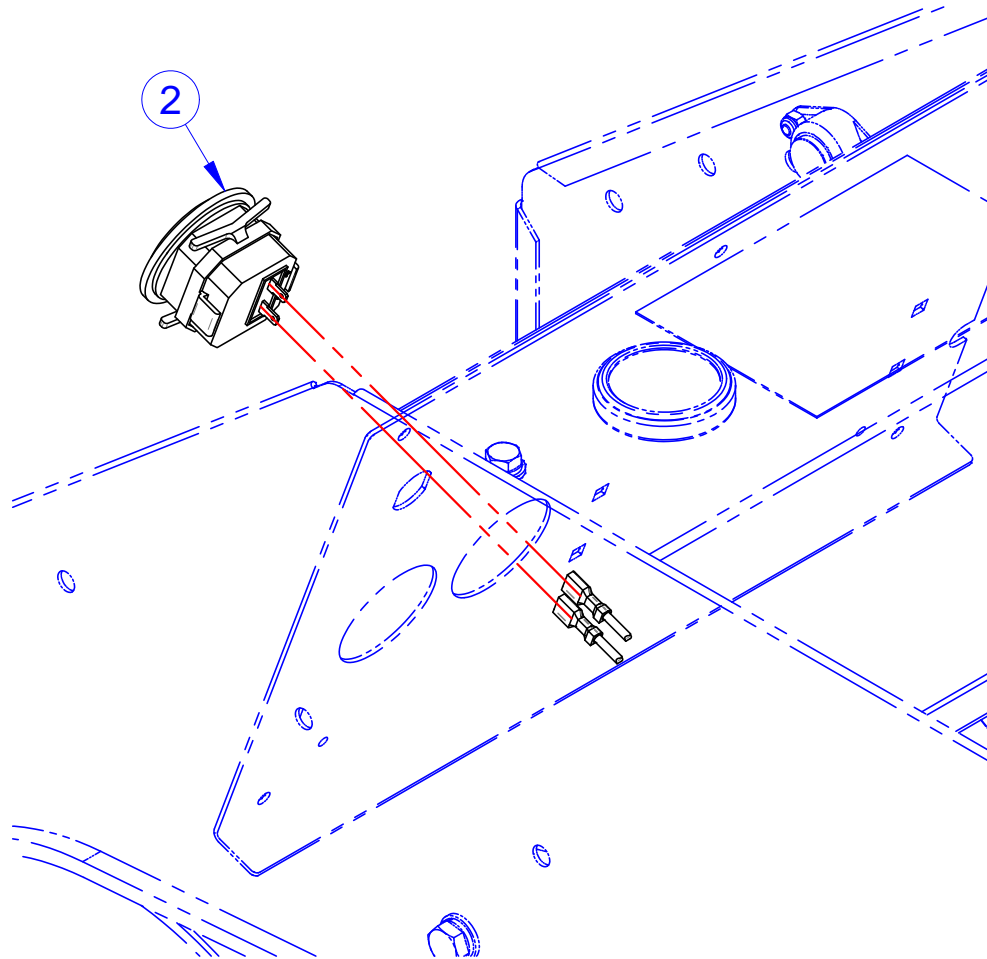
POWER SWITCH



ITEM	CVG PN	DESCRIPTION	QTY	REF #
1	709040	KEYSWITCH, UNIVERSAL "A" W/HARDWARE	1	709040
	719297	KEYSWITCH, UNIVERSAL, "B" W/HARDWARE	1	719297
	719298	KEYSWITCH, UNIVERSAL, "C" W/HARDWARE	1	719298
	719299	KEYSWITCH, UNIVERSAL, "D" W/HARDWARE	1	719299
	719300	KEYSWITCH, UNIVERSAL, "E" W/HARDWARE	1	719300
	719432	NON-REMOVABLE KEY ASSY, W/ COVER	1	719432

NOTE: Items with * in tables indicates parts not shown in drawing

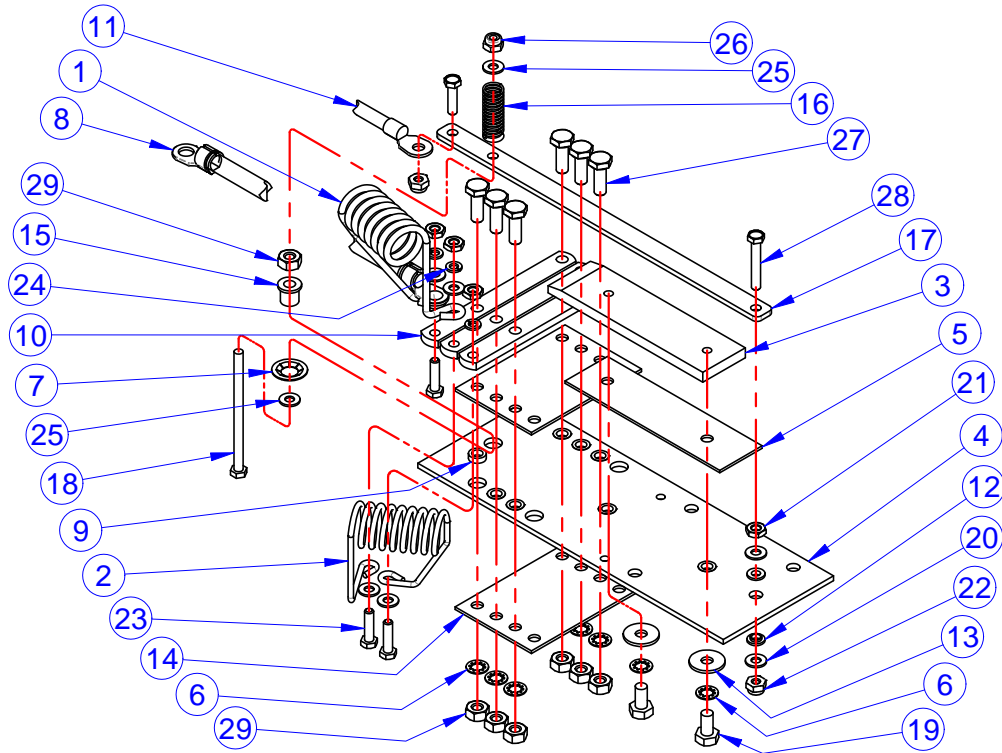
HOUR METER



ITEM	CVG PN	DESCRIPTION	QTY	REF #
1*	468205	HARNESS, EXTENSION, CR10 HR MTR	1	468205
2	709452	HOUR METER 10-80 VOLT DC	1	709452

NOTE: Items with * in tables indicates parts not shown in drawing

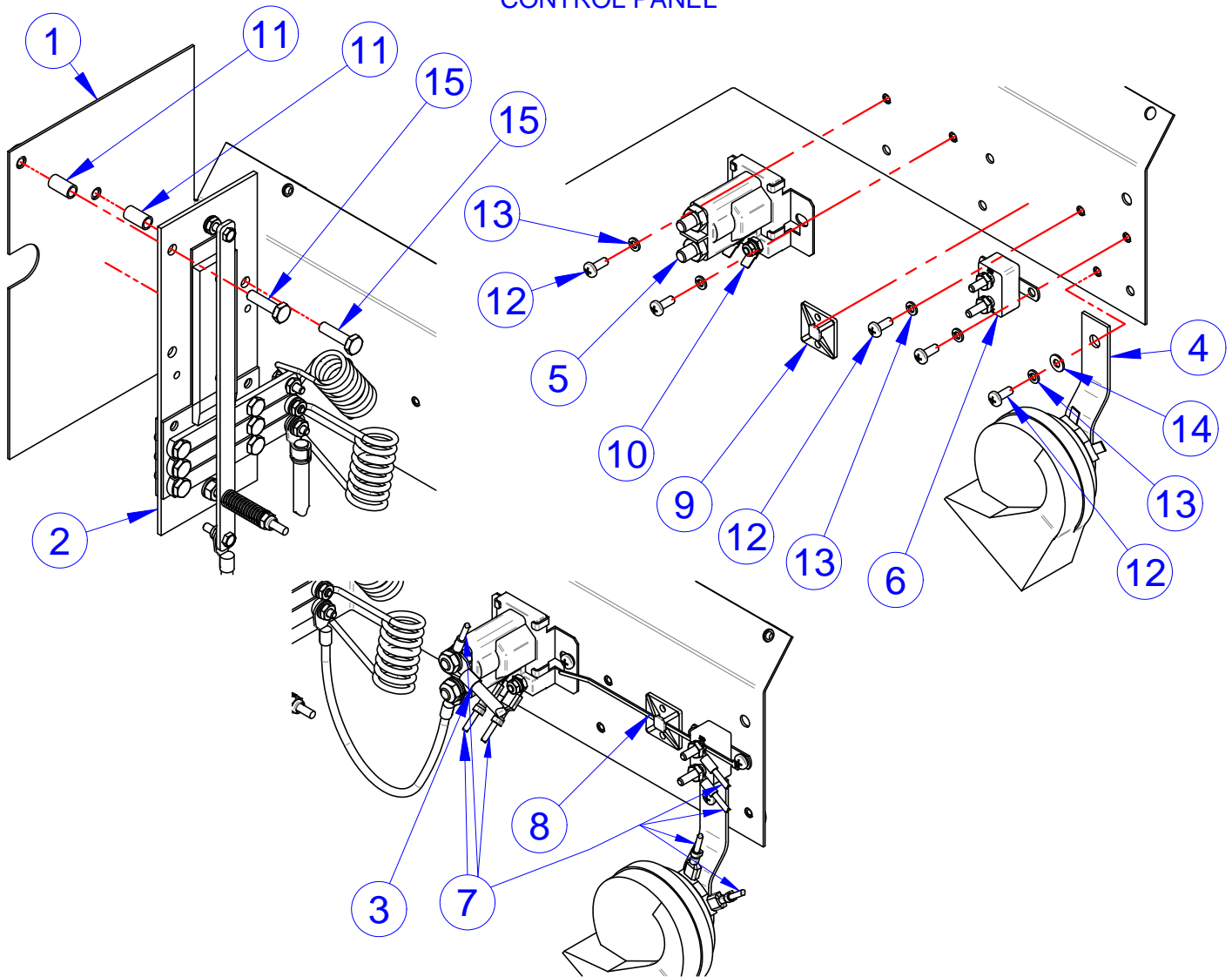
SPEED CONTROL SWITCH



ITEM	CVG PN	DESCRIPTION	QTY	REF #
1	461261	RESISTANCE COIL - #7 WIRE	1	461261
2	461264	RESISTANCE COIL - #9 WIRE	1	461264
3	510355	CPC CHARIOT NEUTRAL BAR	1	510355
4	510363	CPC SWITCH BASE	1	510363
5	511137	INSULATOR	1	511137
6	707855	WASHER, 1/4, I-TOOTH, L/W, ZC	8	707855
7	707979	NUT, 3/8, PUSHNUT, BLK P&O	1	707979
8	709004	CABLE, 4 GA X 8.75, 5/16 TERMINALS	1	709004
9	709036	INSULATING SLEEVES, TUBING	8	709036
10	709202	CONTACT BAR	3	709202
11	709215	CABLE, 6GA X 18.00", 5/16-1/4 TERM	1	709215
12	709362	NYLON BEARING	2	709362
13	709364	WASHER, FIBER 3/4 X 1/4 X 1/16	2	709364
14	709366	INSULATOR, WHITE	2	709366
15	709414	BEARING, NYLON	1	709414
16	709439	SPRING, COMP, 7-16 X 2-1/4, #13	1	709439
17	719235	CONTACT BUS SLIDER BAR	1	719235
18	719506	SCREW, #10-32X3, HH, M/S, ZC	1	719506
19	1024823	SCR, 1/4-20X0.5, HCS, 18-8, SS	2	1024823
20	719778	WASHER, #10S, F/W, BRASS	6	719778
21	761631	NUT, 10-24, L/N, NYLOCK, 18-8 SS	4	761631
22	761631	NUT, #10-24 GRD 18-8 NM SS NYLOCK	2	761631
23	761638	SCREW, 10-24X3/4, IHHMS, 18-8 SS	4	761638
24	782706	WSHR, #10, L/W, SPLIT, 18-8, S/S	3	782706
25	782722	WSHR, #10 X 0.438 X 0.031, F/W, 18-8SS	2	782722
26	782723	NUT, #10-32, L/N, NYL, NM, 18-8, S/S	1	782723
27	782784	SCREW, 1/4-20X3/4, HHCS, 18-8SS	6	782784
28	782822	SCREW, 10-24X1-1/4, FC SH, 18-8 SS	1	782822
29	783113	NUT, 1/4-20, HN, 18-8, SS	7	783113

NOTE: Items with * in tables indicates parts not shown in drawing

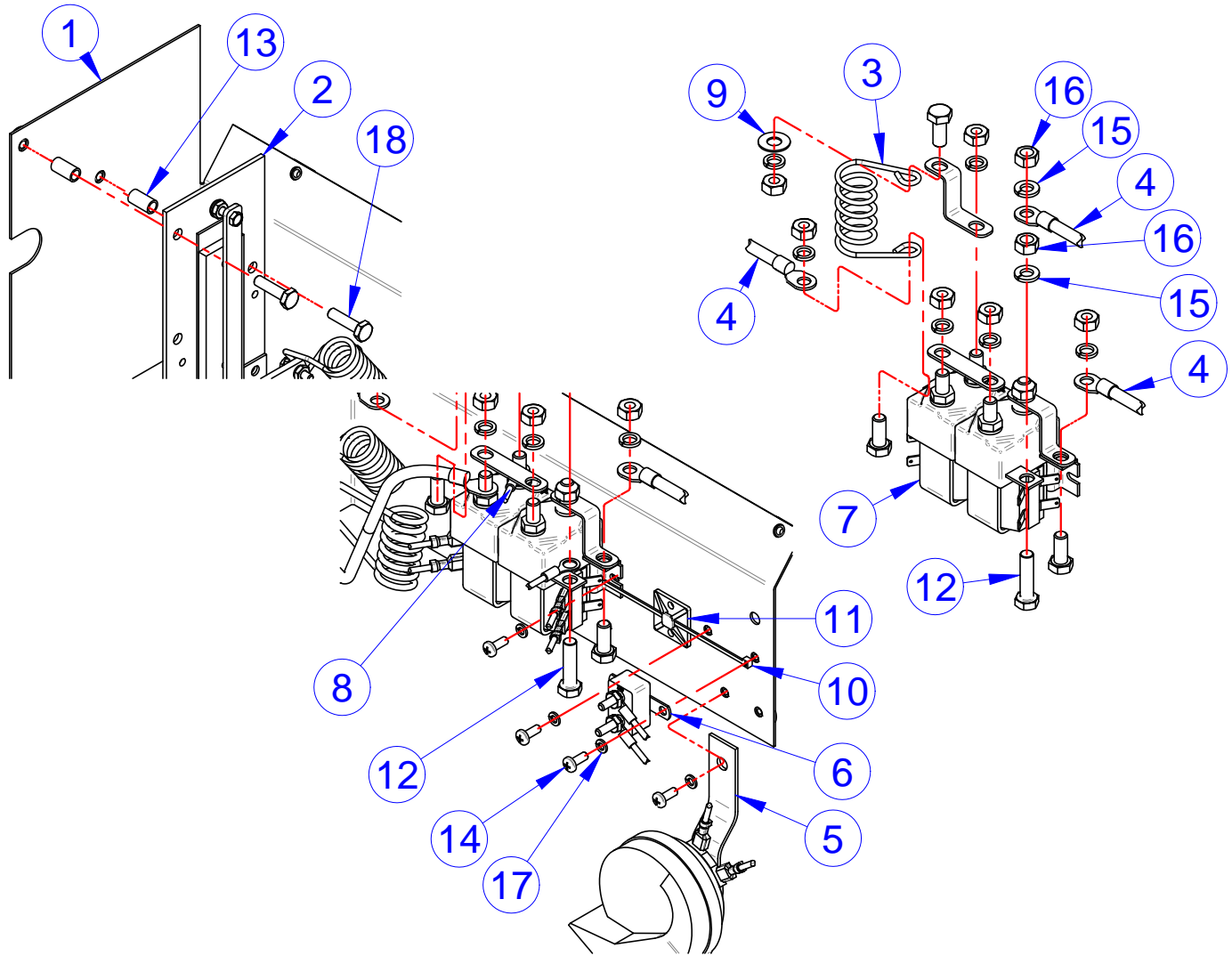
CONTROL PANEL



ITEM	CVG PN	DESCRIPTION	QTY	REF #
1	306013	WLDMT, COMPONENT PANEL, CR-10	1	306013
2	463953	ASSY, SWITCH, SPEED CONTROL, CR	1	463953
3	709033	CABLE, 6GA X 14.00", 5/16" TERM	1	709033
4	1017768	HORN, 12V, LOW TONE	1	1017768
5	709214	SOLENOID, 12V	1	709214
6	709398	CIRCUIT BREAKER 20 AMP	1	709398
7	709654	WIRE HARNESS, MAIN, CR-10	1	709654
8	719501	CABLE TIE, NATURAL 5 3/4"	1	719501
9	719503	CABLE TIE MNT BRKT BLACK W/3M	1	719503
10	719825	TERMINAL,#10 STUD-TO-1/4 MALE TAB	2	719825
11	739650	SPACER 1/4 X 5/8	2	739650
12	761632	SCREW, #10-24X1/2" PPH GRD 18-8 SS	5	761632
13	782706	WSHR, #10, L/W, SPLIT, 18-8, S/S	5	782706
14	782722	WSHR, #10 X 0.438 X 0.031, F/W, 18-8SS	1	782722
15	782785	SCREW,1/4-20X1.0,HHCS,18-8SS	2	782785

NOTE: Items with * in tables indicates parts not shown in drawing

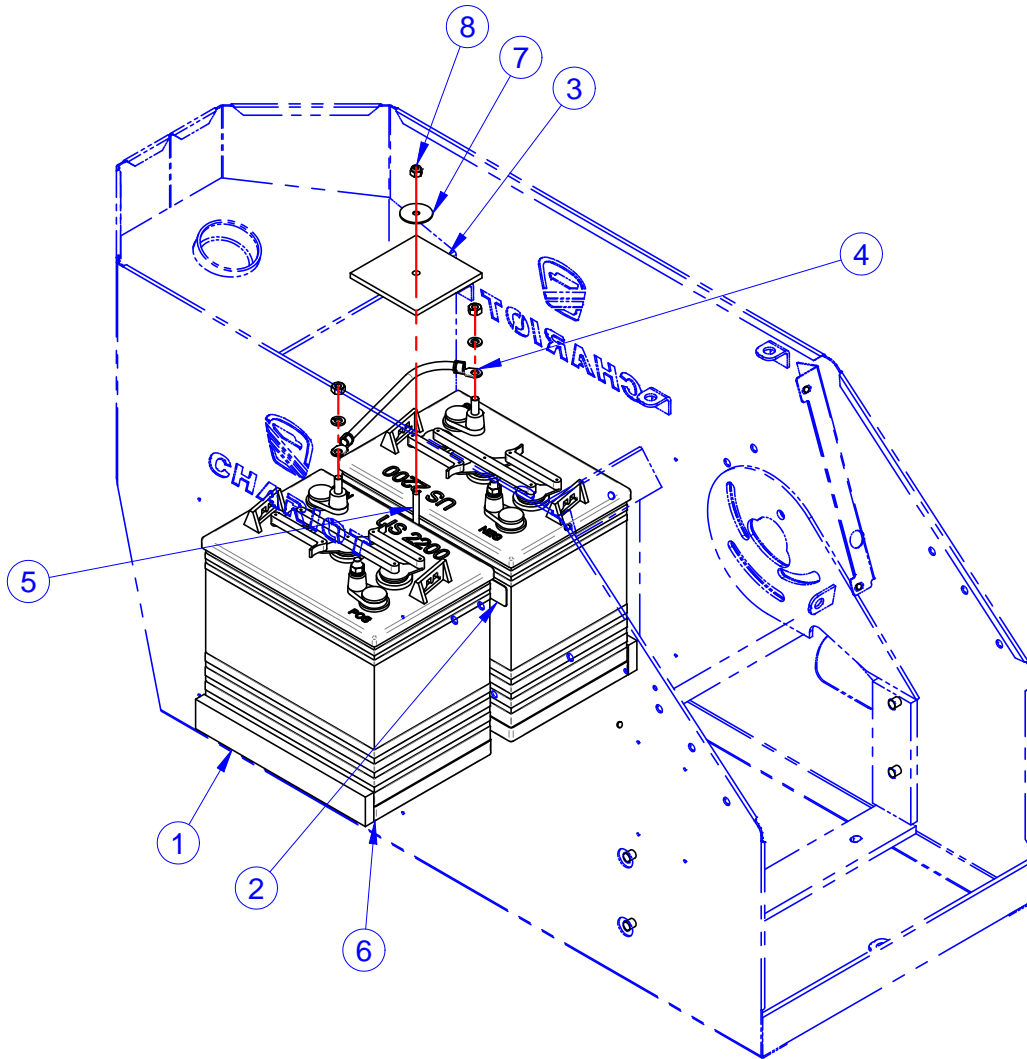
CONTROL PANEL W/ REV



ITEM	CVG PN	DESCRIPTION	QTY	REF #
1-18	467339	P&A, ASM, CONTROL PANEL W/ REV, CR	KIT	467339
1	306013	WLDMT, COMPONENT PANEL, CR-10	1	306013
2	463953	ASSY, SWITCH, SPEED CONTROL, CR	1	463953
3	463975	RESISTANCE COIL, FWD/REV SWITCH	1	463975
4	709033	CABLE, 6GA X 14.00", 5/16" TERM	3	709033
5	1017768	HORN, 12V, LOW TONE	1	1017768
6	709398	CIRCUIT BREAKER 20 AMP	1	709398
7	709399	SOLENOID, DOUBLE - 12 V COILS	1	709399
8	709654	WIRE HARNESS, MAIN, CR-10	1	709654
9	719375	WSHR, 5/16X0.750X0.040, F/W, 18-8S/S	1	719375
10	719501	CABLE TIE, NATURAL 5 3/4"	1	719501
11	719503	CABLE TIE MNT BRKT BLACK W/3M	1	719503
12	719507	SCREW, 5/16-18X1-1/4, HHCS, BRASS	1	719507
13	739650	SPACER 1/4 X 5/8	2	739650
14	761632	SCREW, #10-24X1/2" PPH GRD 18-8 SS	5	761632
15	781621	WSHR, 5/16, L/W, SPLIT, 18-8, S/S	2	781621
16	781785	NUT, 5/16-18, FHES, 18-8 SS	2	781785
17	782706	WSHR, #10, L/W, SPLIT, 18-8, S/S	5	782706
18	782785	SCREW, 1/4-20X1.0, HHCS, 18-8SS	2	782785

NOTE: Items with * in tables indicates parts not shown in drawing

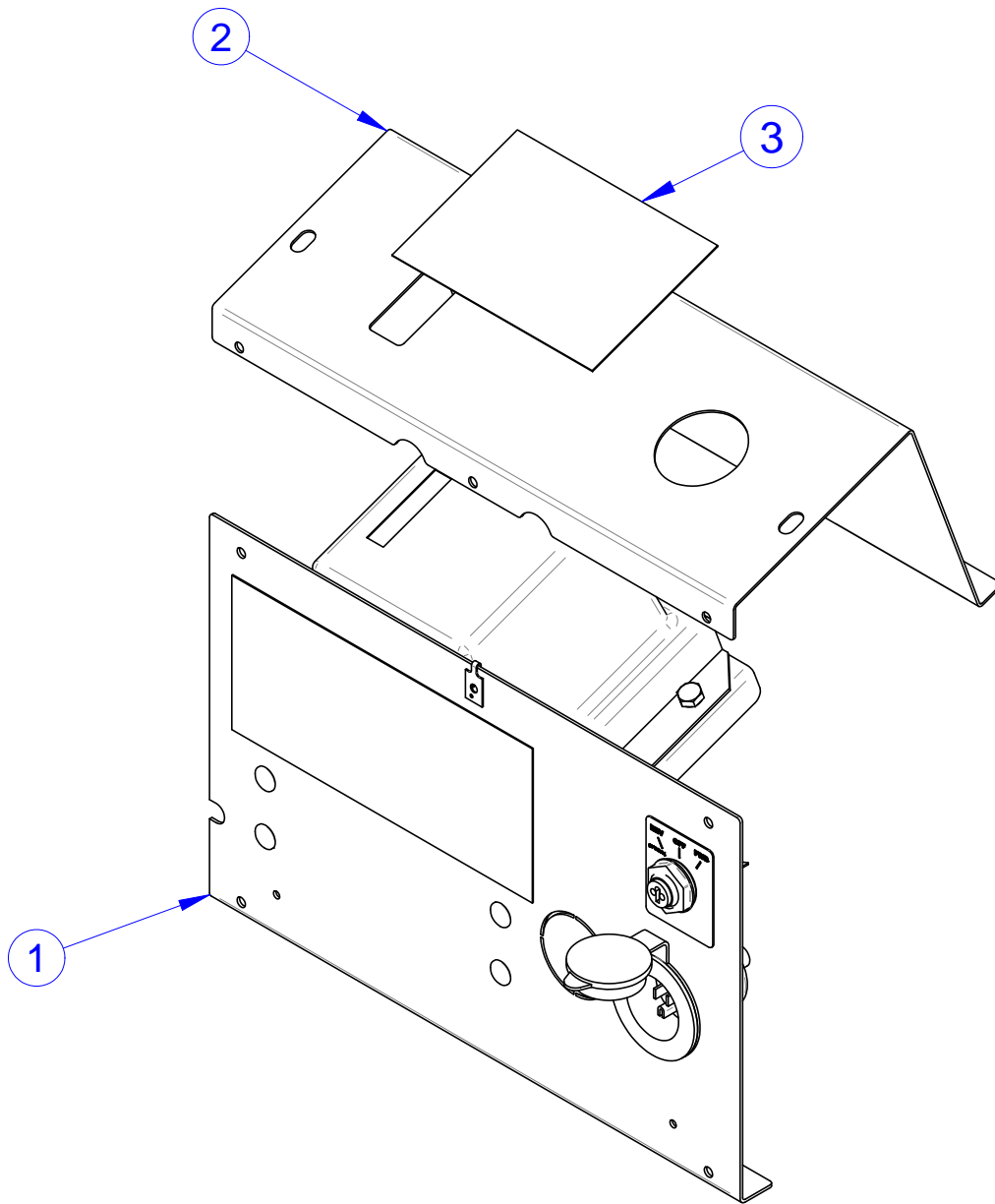
12V BATTERY HARDWARE



ITEM	CVG PN	DESCRIPTION	QTY	REF #
1	510365	BATTERY SEPARATOR, CR10	2	510365
2	468229	LABEL, SMALL VIN	2	512059
3	513002	PLATE, BATTERY HOLD DOWN	1	513002
4	709004	CABLE, 4GA X 8.75", 5/16" TERM	1	709004
5	709059	ROD, BATTERY HOLD DOWN	1	709059
6		BATTERY, 6V, DEEP CYCLE, (US-2200)	2	
		BATTERY, 6V, DEEP CYCLE, (US-145)	2	
7	719786	WASHER FLT STAINLESS .28X1.375X.06	1	719786
8	719876	NUT, 1/4-20, L/N, NYL, NE, 316, S/S	1	719876

NOTE: Items with * in tables indicates parts not shown in drawing

CHARGER



ITEM	CVG PN	DESCRIPTION	QTY	REF #
1	468140	ASSY, CR10 MAIN PANEL	1	468140
2	516952TB	CR10 CONTROL COVER	1	516952
3	761644	LABEL, OPERATING INSTRUCTIONS, CR10	1	761644

NOTE: Items with * in tables indicates parts not shown in drawing

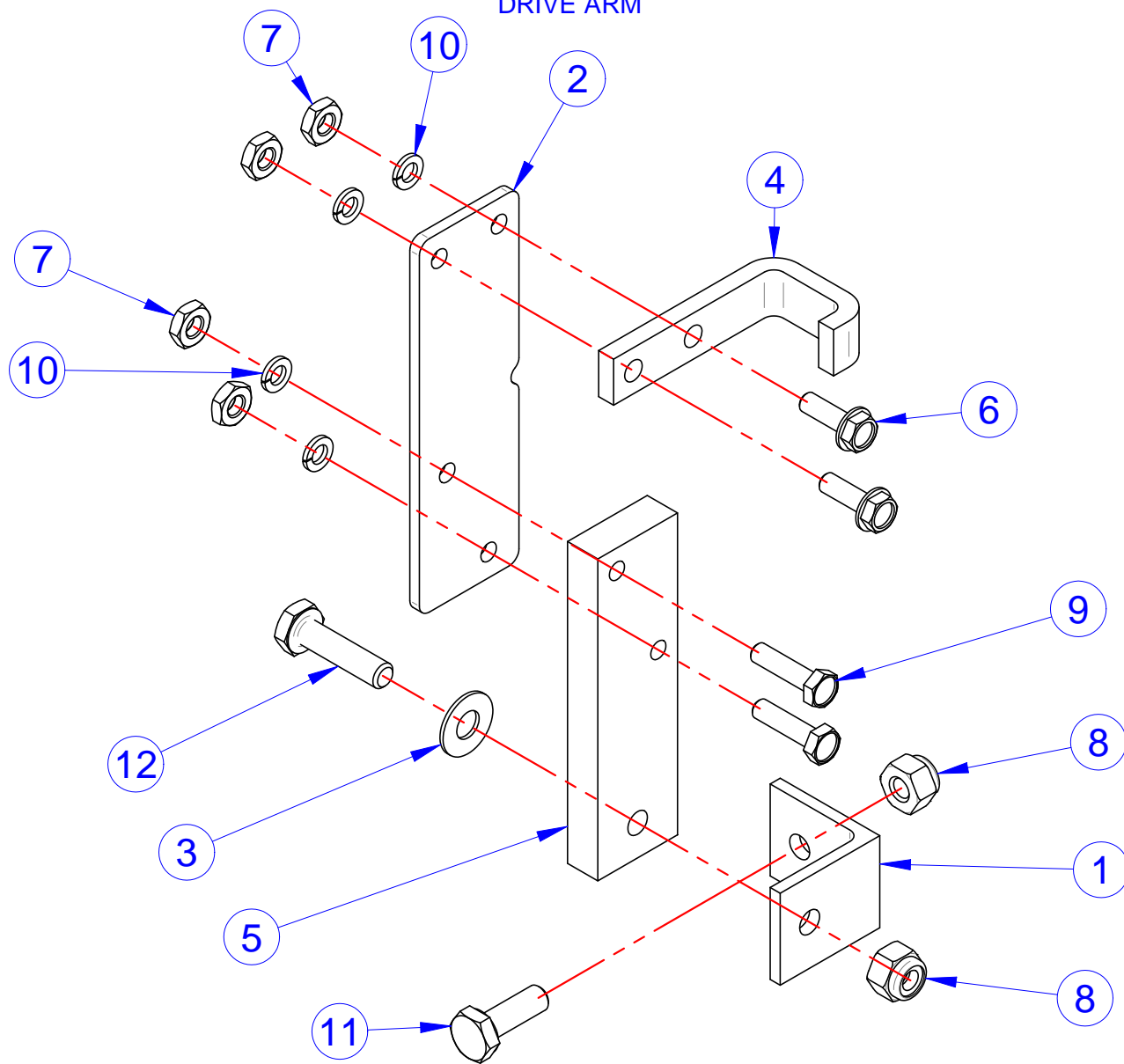
CHARGER EXTENSION CORD

ITEM	CVG PN	DESCRIPTION	QTY	REF #
1*	1020620	CHARGER EXT CORD, 9', LIGHTED	1	1020620

NOTE: Items with * in tables indicates parts not shown in drawing



DRIVE ARM



ITEM	CVG PN	DESCRIPTION	QTY	REF #
1-12	461420	P&A,ASM, CR10/539 DRIVE ARM	KIT	461420
1	519896	BRKT, DRIVE ARM, CR	1	519896
2	510357	CHARIOT UPPER DRIVE ARM	1	510357
3	708511	WASHER, FLAT, 1/4", 18-8SS	1	708511
4	709429	L-BRUSH	1	709429
5	709438	DRIVE ARM, LOWER	1	709438
6	761652	SCREW, 10-24X5/8, HWHTR, SS	2	761652
7	761631	NUT, 10-24, L/N, NYLOCK, 18-8 SS	4	761631
8	719876	NUT, 1/4-20, L/N, NYL, NE, 316, S/S	2	719876
9	761638	SCREW, 10-24X3/4, IHHMS, 18-8 SS	2	761638
10	782706	WSHR, #10, L/W, SPLIT, 18-8, S/S	4	782706
11	782784	SCREW, 1/4-20X3/4, HHCS, 18-8SS	1	782784
12	782785	SCREW, 1/4-20X1.0, HHCS, 18-8SS	1	782785

NOTE: Items with * in tables indicates parts not shown in drawing



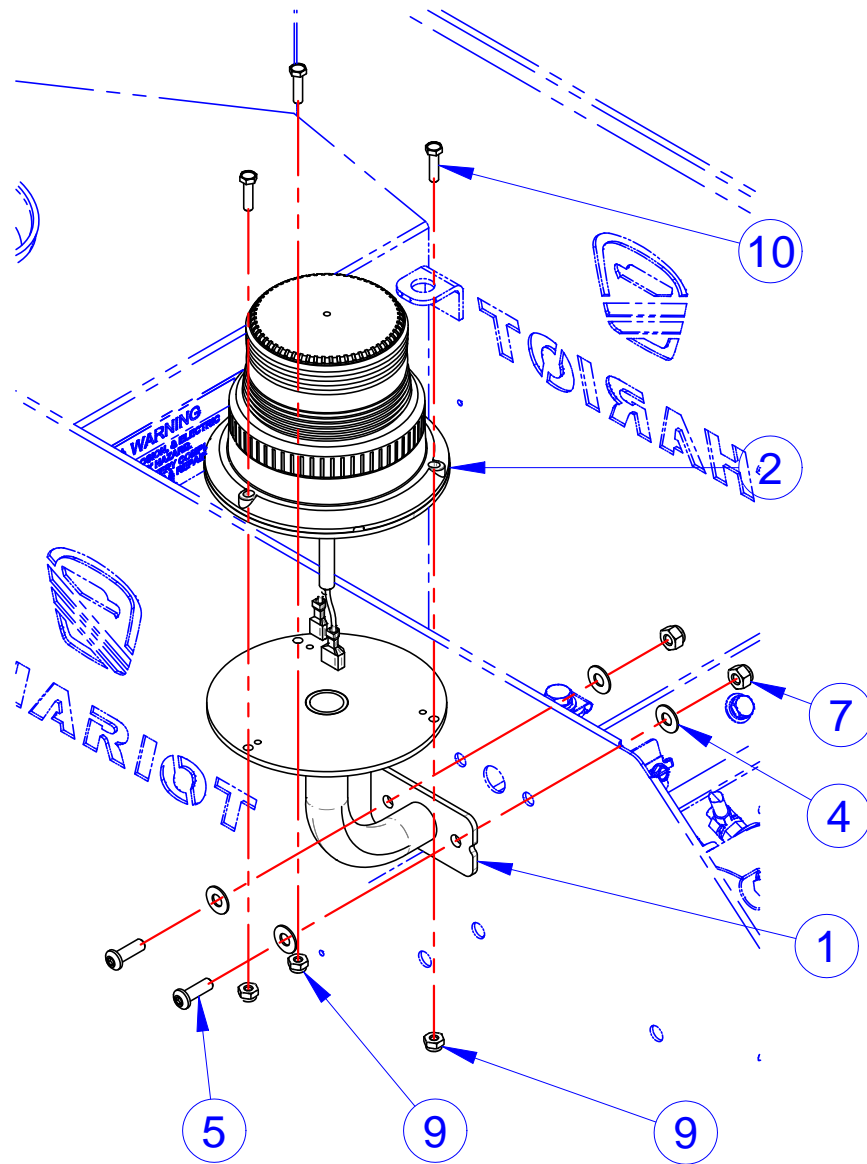
COLUMBIA

CHARIOT

PARTS MANUAL SECTION 7

ACCESSORIES

STROBE LIGHT



ITEM	CVG PN	DESCRIPTION	QTY	REF #
1	314950TB	WLDMT, STROBE POLE, CR	1	314950
2	467408	ASM, STROBE LIGHT (AMBER)	1	467408
3*	468307	HARNESS, STROBE LIGHT, CR	1	468307
4	708511	WASHER, FLAT, 1/4", 18-8SS	4	708511
5	719374	SCREW, 1/4-20X3/4", BHCS, 18-8SS	2	719374
6*	719504	CABLE TIE, BLACK, .18X11-3/4, STD, 50LB	1	719504
7	719876	NUT, 1/4-20, L/N, NYL, NE, 316, S/S	2	719876
8*	719920	ADAPT 1/4 TAB 2-MALE/1-FEM MOLEX	3	719920
9	761631	NUT, #10-24 GRD 18-8 NM SS NYLOCK	3	761631
10	761638	SCREW, 10-24X3/4, IHHMS, 18-8 SS	3	761638

NOTE: Items with * in tables indicates parts not shown in drawing