



***COLUMBIA***

**2011 PARTS MANUAL  
ELECTRIC SHUTTLE**

**C6E-36**

**C6E-48**

## PREFACE

*Welcome, and congratulations on your choice of the Columbia Electric Vehicle from Columbia ParCar Corp.!*

Some of the equipment in this manual may not apply to your vehicle, depending on which model you have.

If your vehicle is a Neighborhood Electric Vehicle (NEV) or a Low Speed Vehicle (Summit) they meet the requirements of the National Highway Traffic & Safety Administration (NHTSA) as stated in the Code of Federal Regulations, Title 49, Part 571, Standard 500, Low Speed Vehicles.

To the best knowledge of Columbia ParCar Corp., the material contained herein is accurate as of the date this publication was approved for printing. Columbia Par-Car Corp. is not liable for errors in this manual or for incidental or consequential damages that result from the use of the material in this manual. Columbia ParCar Corp. reserves the right to change specifications, equipment or designs at any time without notice and without incurring obligation.

This manual contains proprietary information that is protected by copyright. All rights are reserved. No part of this manual may be photocopied, reproduced, or translated to another language without the written consent of Columbia ParCar Corp.

Columbia ParCar Corp. products are manufactured under one or more of the following U.S. Patents - 2986162, 2987934, 3116089, 3144631, 3144860, 3229792, 3434887, 3559773, 3673359, 3680403, 3683716, 3709317, 4648473, Des. 225626.



A member of the Nordic Group of Companies  
1115 Commercial Avenue, Reedsburg, WI 53959  
Phone - 608.524.8888 Fax - 608.524.8380  
[www.parcars.com](http://www.parcars.com)

## INDEX – C6

### SECTION 1 Accelerator and Brake Linkage

Hand Parking Brake Hydraulic Brakes	1-1
Accelerator/Hydraulic Brakes	1-3
Hydraulic Brake Pedal Linkage	1-7
Hydraulic Brake Lines & Fitting	1-9
Accelerator Assembly- Mechanical Brakes	1-11
Mechanical Brake Pedal Assembly W/O Lights	1-13
Mechanical Brake Pedal Rod Attachment	1-15
Parking Brake Catch	1-16
Mechanical Brakes W/LAD	1-17

### SECTION 2 Steering and Front Suspension

Hub Assembly	2-1
Steering Column	2-2
Front Suspension	2-4
Front Suspension 4 Wheel Hyd Brakes	2-8
Rack & Pinion Assembly	2-13
Brake Calipers	2-14

### SECTION 3 Rear Suspension, Motor and Axles

Rear Suspension, Axle and Motor	3-1
Motor	3-3
Axle	3-4
Gear Set	3-7
Axle Brace Kit	3-8
Mechanical Brake Assembly	3-9
Hydraulic Brake Assembly	3-11

### SECTION 4 Body, Seating and Console Instrumentation

Body Bench	4-1
Body Bucket Seats	4-3
Rear Facing Seat	4-5
Cargo Rear Facing Seat	4-7
Console	4-9
Dash	4-10
Turn Switch Assembly	4-13
Front Hood & Cover	4-14
Front Wraparound Bumper	4-15
Front Durobumper	4-16
Rear Bumper	4-17
Hitches	4-18
Seatbelts Bench	4-19
Seatbelts Bucket	4-21
Seatbelts, Rear Facing Seat	4-23
Wheels	4-25
Front Heel Guard Kit	4-26

**INDEX - C6**

**SECTION 5 Electrical System**

Main Wire Harness	5-1
Main Wire Harness Schematic	5-2
12 V Electrical Accessory Wiring	5-3
12 V Electrical Accessory Schematic	5-4
DC/DC Converter Wiring	5-5
DC/DC Converter Schematic	5-6
Back Up Light Wiring	5-7
Back-Up Lights Harness Schematic w/DC-DC Converter(Battery Tap)	5-8
Back-Up Lights Harness Schematic w/DC-DC Converter(Non Battery Tap)	5-9
Horn Harness	5-10
12v Accessory Outlet Harness	5-10
Accessory Outlet Harness Schematic	5-10
Wiper/Washer Harness	5-11
Wiper Motor Harness	5-11
Control Panel Components	5-12
Charger & Battery	5-13
Charger with Remote LED	5/15
Pot Box Adapter Harness	5/16

**SECTION 6 Accessories**

Battery Watering System	6-1
Trunk	6-2
Cargo Sides	6-3
Suntop Amber Strobe Light	6-4
Amber Strobe Light w/Mast	6-5
Mirrors w/Suntop	6-6
Enclosure	6-6
Windshields	6-7
Windshield Wiper	6-8
80" Suntop, Bench	6-10
115" Suntop, Bench	6-12
License Plate Light & Reflectors	6-14
Heater	6-15

**Note:**

Starting in February of 2015, Columbia started implementing the use of textured black paint instead of satin black on certain accessories. When ordering black coated parts it may be necessary to state if they have the satin finish or the textured finish.

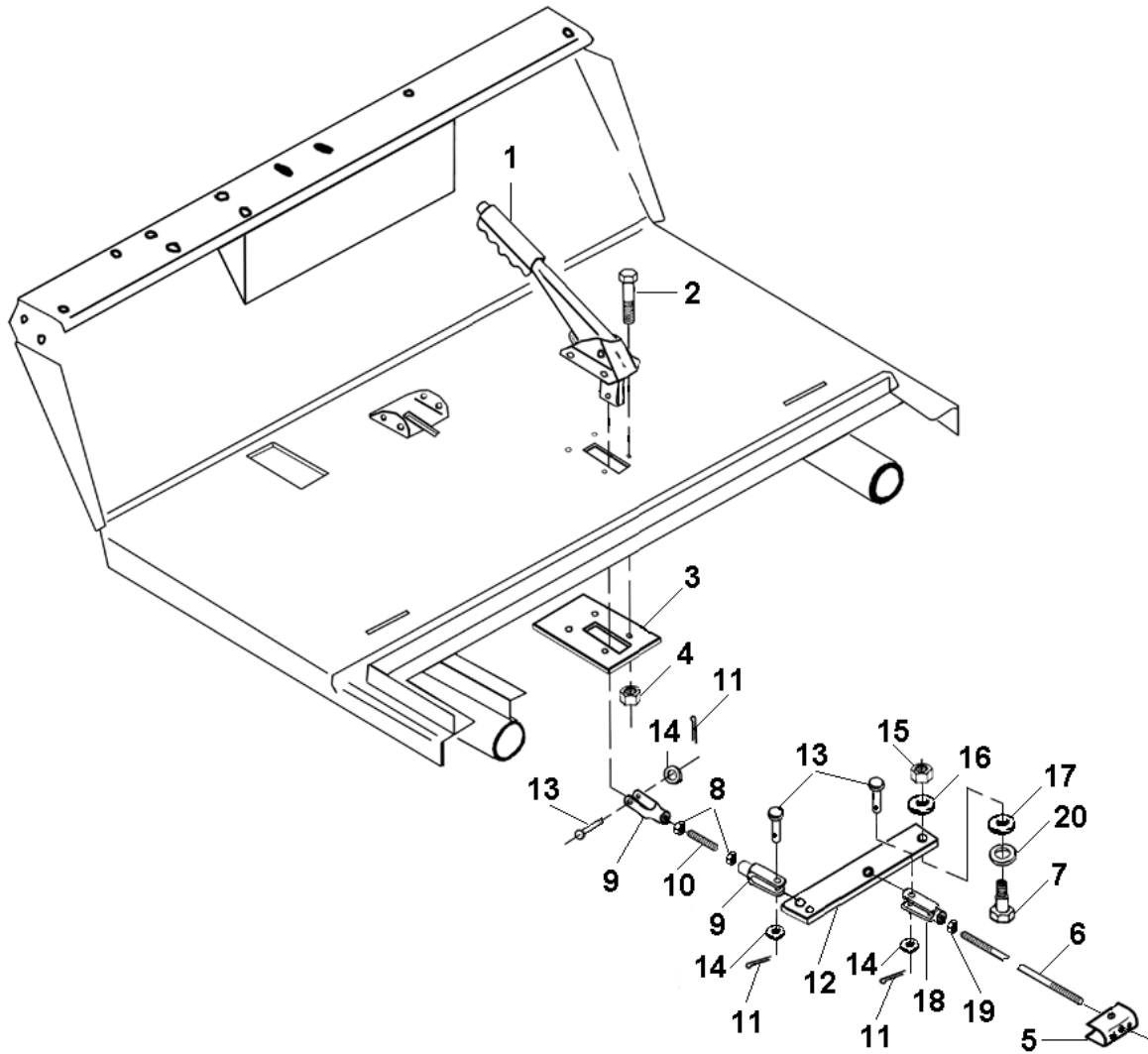
<b>CHANGE HISTORY</b>		
<b>DATE</b>	<b>DESCRIPTION</b>	<b>BY</b>
1/10/2012	Issued	TS
9/5/13	Adder Tek screws/washers to console.	TS
9/23/13	Corrected keyset P/N's.	TS
10/23/13	Updated accessory harness	TS
10/28/13	Added side panels to console	TS
1/8/14	Changed RH steering spindle assembly.	TS
5/6/14	Added that windshields cannot ship UPS.	TS
2/10/15	Added heater	TS
3/3/15	Added note about the black finish changing	TS

# **C6 SHUTTLE Parts Manual**

## **Section 1**

### **Accelerator and Brake Linkage**

# HAND PARKING BRAKE HYDRAULIC BRAKES – C6

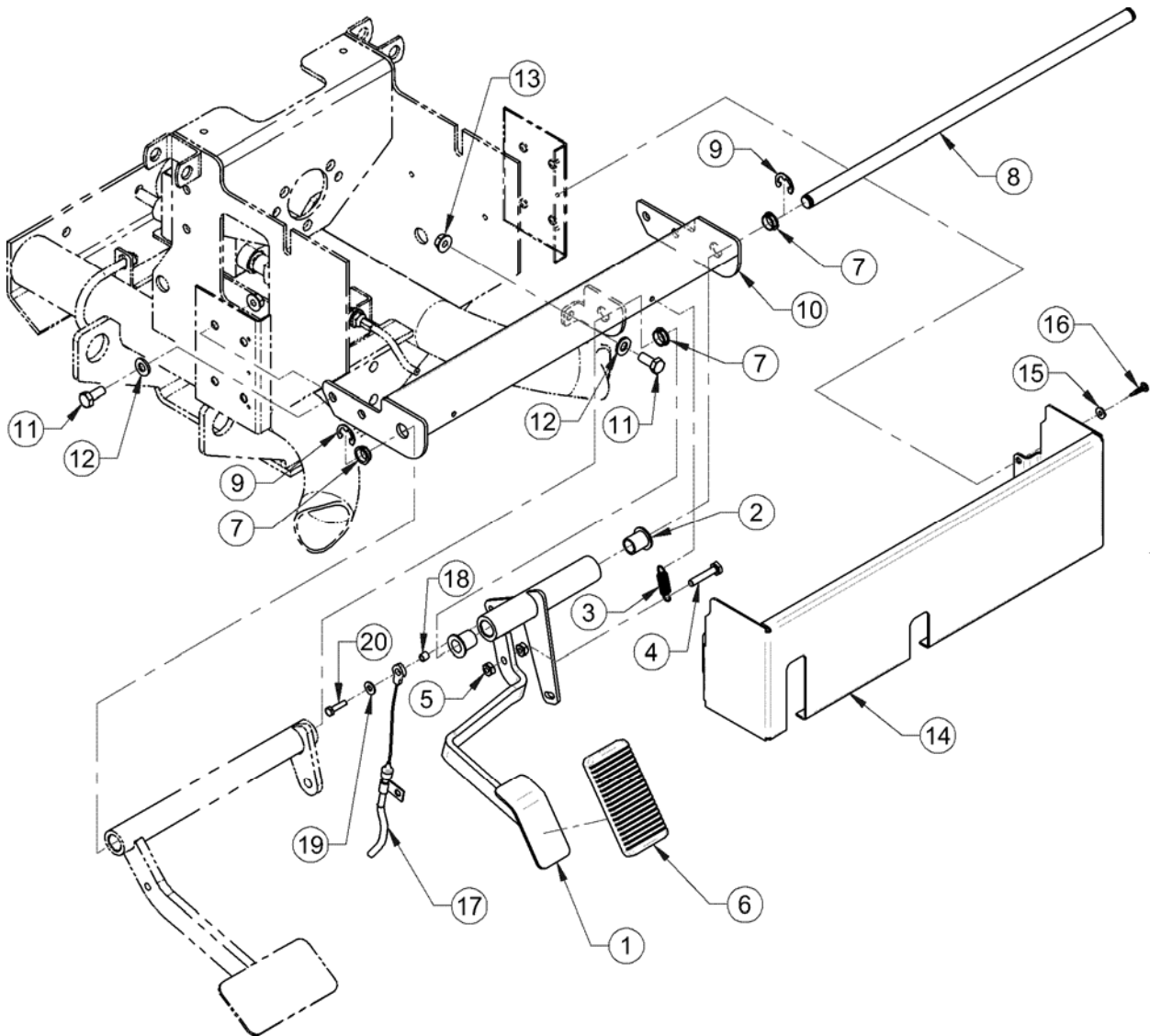


## HAND PARKING BRAKE HYDRAULIC BRAKES – C6

ITEM	CPC P/N	DESCRIPTION	QTY	SI P/N
1	41422-98	HAND BRAKE ASSEMBLY	1	307741
2	5400-BS	BOLT, 5/16-18 X 1, CARRIAGE, GR 5	4	719744
3	42671-98	LEVER, SUPPORT PLATE	1	510346
4	7525	NUT 5/16X18 SERRATED FLANGE	4	719864
5	4202-89	BRAKE CABLE EQUALIZER	1	509154PL
6	*	BRAKE ROD, 1/4-28X26.75 THREADED	1	719053
7	2645	SCREW 1/2X1/2 STNLS SOC SHOULDER	1	719580
8	7744	NUT, 5/16-24HEX JAM	2	719895
9	73062-86A	YOKE, CLEVIS, #52, 5/16-24 RH	2	719852
10	24820-96	THREADED STUD, 5/16-24X3	1	719558
11	533	PIN, COTTER 5/64X1, 18-8SS	2	719743
12	42454-98	PARKING BRAKE PULL ARM	1	510207
13	499	PIN 1/4X1 1/2, CLEVIS	2	719715
14	6703-B	WASHER 1/4	2	719811
15	7755	NUT, 3/8-16, L/N, FLG, TOP	1	760721
16	6565	WASHER, .515X.812X.063	1	719799
17	6568-B	WASHER .515X.812X.134	1	719802
18	73062-86A	CLEVIS #51 1/4-28	1	719854
19	7676	NUT, 1/4-28 HEX	1	719874
20	6005	WASHER, 1/2	1	719772

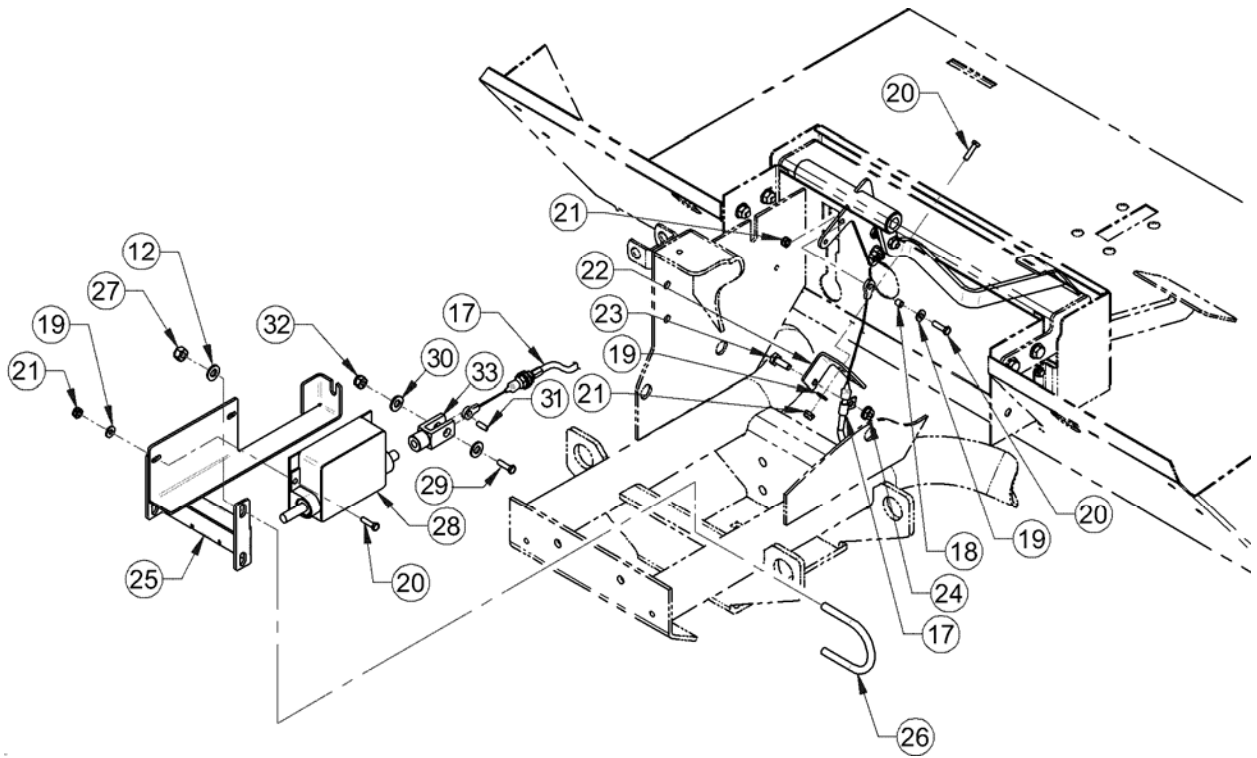
\* SPECIAL ORDER

# ACCELERATOR/HYDRAULIC BRAKES – C6





# ACCELERATOR/HYDRAULIC BRAKES – C6 (Cont.)



## ACCELERATOR/HYDRAULIC BRAKES – C6 (Cont.)

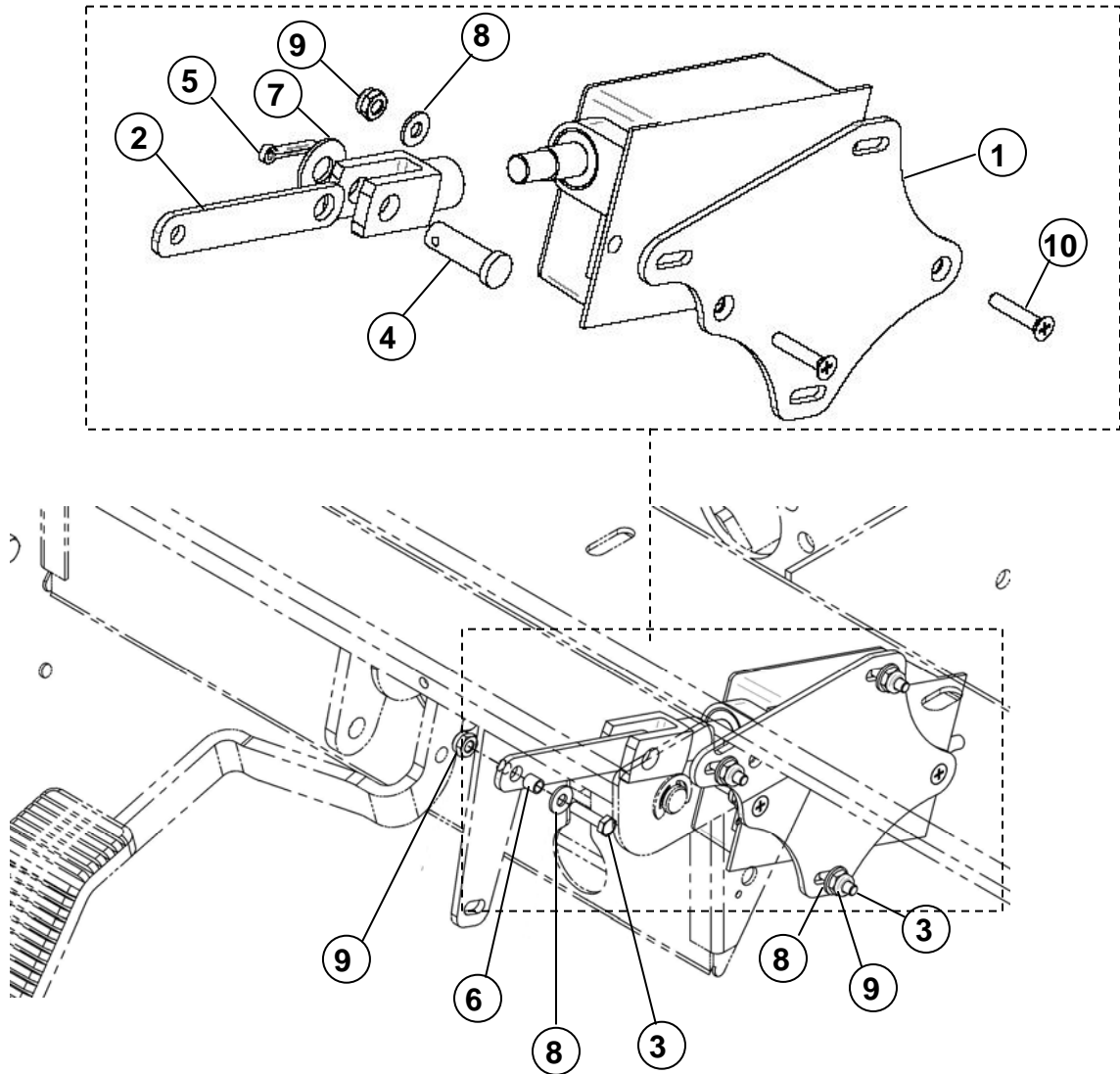
ITEM	CPC P/N	DESCRIPTION	QTY	SEATS P/N
1	42437-02	ACCELERATOR PEDAL	1	306726
2	10514	BEARING, .50" ID X .62" OD X .75" L, FLANGED	1	719262
3	11816	SPRING, ACCELERATOR PEDAL RETURN	1	709711
4	3993	SCREW, 1/4-20 X 1-1/4, HHCS, GR 5	1	719644
5	7688-B	NUT, 1/4-20, HEX, FULL, GR 2	1	719880
6	40582-02	PAD, ACCEL PEDAL	1	709808
7	10515	BEARING, CLIP, .500" I.D.	3	719093
8	42361-02	ROD, PEDAL PIVOT	1	709817
9	11040	E-RING, .562, REINFORCED PHOS	1	719515
10	106725	PEDAL MOUNT	1	306725
11	3987-BS	SCREW, 5/16-18 X 3/4, HHCS, GR 5	1	719642
12	6702-B	WASHER, 5/16, SAE FLAT	2	719810
13	7525	NUT, 5/16-18, SERRATED FLANGE LOCK, GR A	1	719864
14	42434-02	COVER, PEDAL MODULE	1	510411
15	6912-B	WASHER, # 8, SAE FLAT	1	719817
16	2653-B	SCREW, 10-16 X 3/4, HWH, TEK	1	719583
17**	40553-07A	CABLE, SPEEDSWITCH	1	760641
18	5760	SPACER, .192 ID X .25 OD X .25 THK, BRASS	1	719769
19	6716	WASHER, #10, SAE, FLAT	3	719812
20	2339	SCREW, 10-24 X 3/4", HHMS	3	719551
21	7624	NUT, 10-24, NM NYLOC, GR A	3	719870
22**	70228-07	TAB, CABLE MOUNTING	1	511335
23**	3787-B	SCREW, 1/4-20 X 3/4, HHCS, G5	1	719636
24**	7724-B	NUT, 1/4-20, SERRATED FLANGE LOCK, GR A	1	719887
25**	40551-07	MOUNTING BRACKET -LINEAR ACCELERATOR	1	308613
26**	5211	U-BOLT, 5/16-18 X 2 11/16" DP X 2" W X 1" THD	1	719734
27**	7739	NUT, 5/16-18, NE, NYLOC, GR A	1	719892
28	70226-07	LINEAR ACCELERATOR DEVICE	1	759803
29**	708649	SCREW, 10-24X1 1/4 HH	1	708649
30**	6716	WASHER, # 10	2	719812
31**	759824	SPACER, NYLON	1	759824
32**	7624	NUT, 10-24 NYLOCK	1	719870
33	73064-07	CLEVIS YOKE	1	759808
34	15050-02	PEDAL ASSEMBLY, BRAKE & ACCELERATOR (INCLUDES ITEMS , 3, 7 – 10, 35 & BRAKE PEDAL COMPONENTS, page 1-7)	1	460161
35	40580-02	ASSEMBLY, ACCELERATOR PEDAL INCLUDES ITEMS 1, 2 & 4 - 6	1	461524

\* ITEM NOT SHOWN

\*\* See page 1-6. These parts are not used on vehicles equipped with a LAD push rod link.

## ACCELERATOR/HYDRAULIC BRAKES – C6 (Cont.)

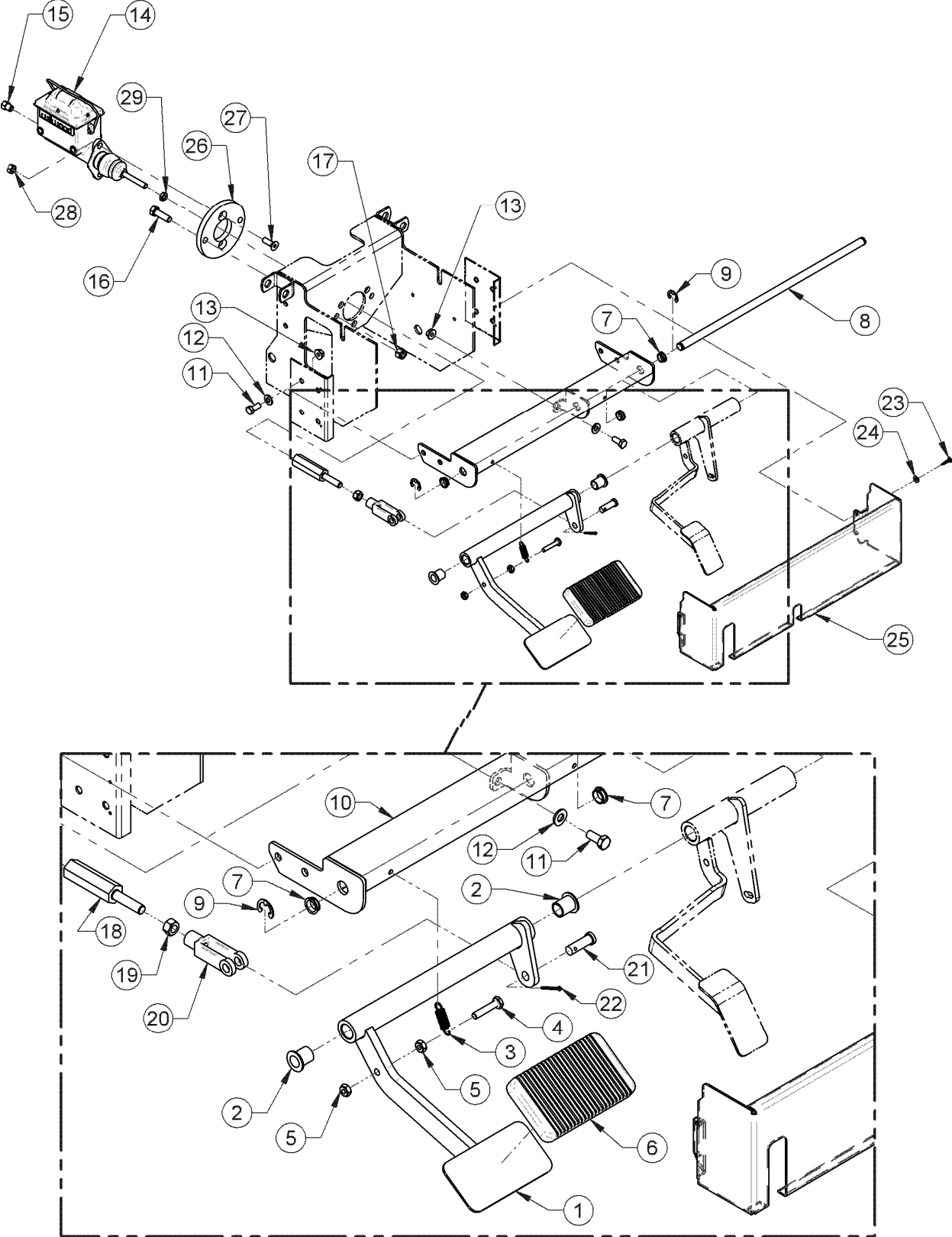
1



ITEM	CPC P/N	DESCRIPTION	QTY	SEATS P/N
1	43250-10	LAD PUSH LINK MOUNT PLATE	1	513454
2	43251-10	LAD PUSH LINK	1	513455
3	2339	SCREW, 10-24X3/4 HEX HD	4	719551
4	516	CLEVIS PIN, 3/8X1 1/8	1	719727
5	520-W	PIN, COTTER 1/8X1	1	719728
6	5760	SPACER, BRASS	1	719769
7	6000-B	WASHER 5/16	1	719771
8	6716	WASHER, # 10	9	719812
9	7624	NUT, 10-24 NYLOCK	6	719870
10	925	SCREW, 10-24X1, PFH	2	781603
11	40670-10	KIT, LAD PUSH LINK (Includes above Items)	1	192056U

See Technical Service Bulletin SB 10-010 for this installation.

HYDRAULIC BRAKE PEDAL LINKAGE – C6

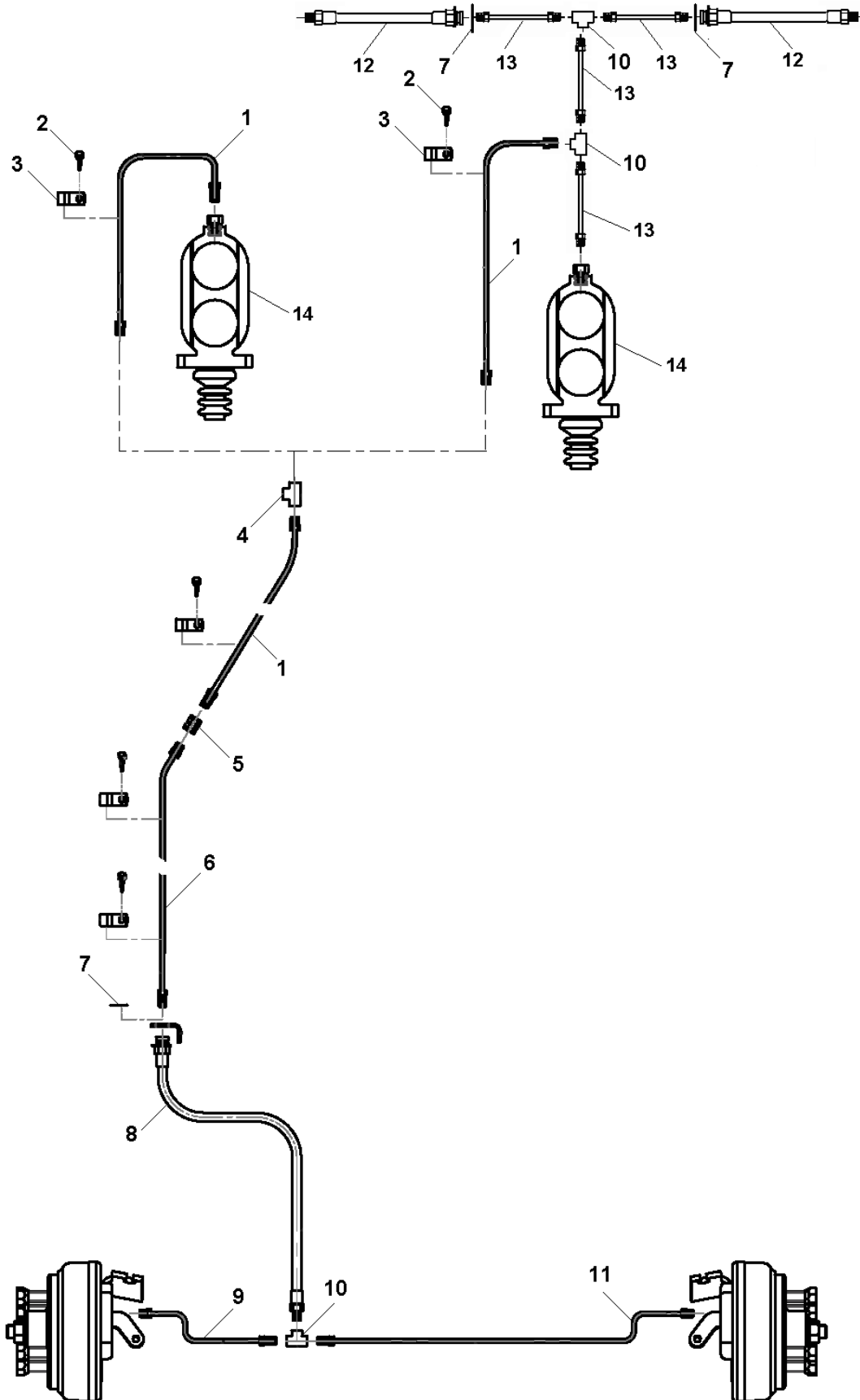


**HYDRAULIC BRAKE PEDAL LINKAGE – C6 (Cont.)**

ITEM	CPC P/N	DESCRIPTION	QTY	SEATS P/N
1	*	BRAKE PEDAL	1	306727
2	10514	BEARING, FLANGED, .50" ID X .62" OD X .75" L	2	719262
3	11816	SPRING, ACCEL PEDAL RETURN	1	709711
4	3993	SCREW, 1/4-20 X 1-1/4, HHCS, G5	1	719644
5	7688-B	NUT, 1/4-20, HEX FULL, GR 2	2	719880
6	42438-02	PAD, BRAKE PEDAL	1	709807
7	10515	BEARING CLIP, .500" I.D.	3	719093
8	42361-02	ROD, PEDAL PIVOT	1	709817
9	11040	E-RING, .562 REINFORCED PHOS	2	719515
10	42433-02	WLDMT, PEDAL MOUNT	1	306725
11	3987-BS	SCREW, HEX HEAD CAP 5/16-18X3/4 G5	5	719642
12	6702-B	WASHER FLT STL 5/16 BLK MAXCOAT	5	719810
13	7525	NUT 5/16-18 GR A SERRATED FLNG LOCK	5	719864
14	41858-08	MASTER CYL, BRAKE, .750" BORE	1	760318
15	41224-00	ADAPTER, HYD BRAKE 1/2-20 TO 3/16"	1	709618
16	4716-W	SCREW, HX HD CAP 3/8-16 X 1 ¼ G5	2	719694
17	7778	LOCKNUT, 3/8 - 16 HEX NYLOK	2	719902
18	41868-08	PUSH ROD ADAPTOR	1	760319
19	7800-W	NUT 3/8-24 GR 2 HEX FULL YWZC	1	719903
20	73066-02	CLEVIS #53 3/8-24 ADJ YOKE END YWZC	1	719855
21	516	CLEVIS PIN, 3/8X1-1/8 YELLOW/ZINC	1	719727
22	533	COTTER PIN 5/64 X 1 18-8 STAINLESS	1	719743
23	2653-B	SCREW, 10-16 X 3/4, HWH, TEK, HC BLK	4	719583
24	6912-B	WASHER, #8 TYPE A PLAIN, BLACK ZINC	4	719817
25	42434-02	SURROUND PEDAL MODULE	1	510411
26	47094-08	MASTER CYLINDER ADAPTOR PLATE	1	512625
27	781154	SCREW, 5/16-18 X 1, FSHCS	2	781154
28	7739	NUT, 5/16-18, NYLOC, GR A	2	719892
29	7744	NUT, 5/16-24, HEX JAM, GR 2	1	719895

\* SPECIAL ORDER

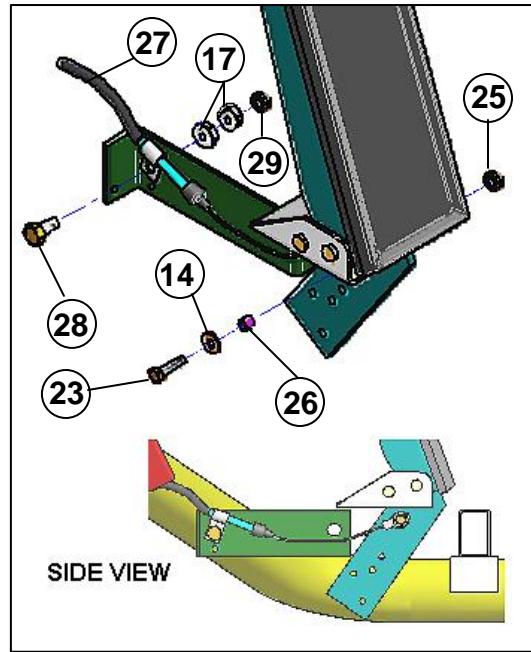
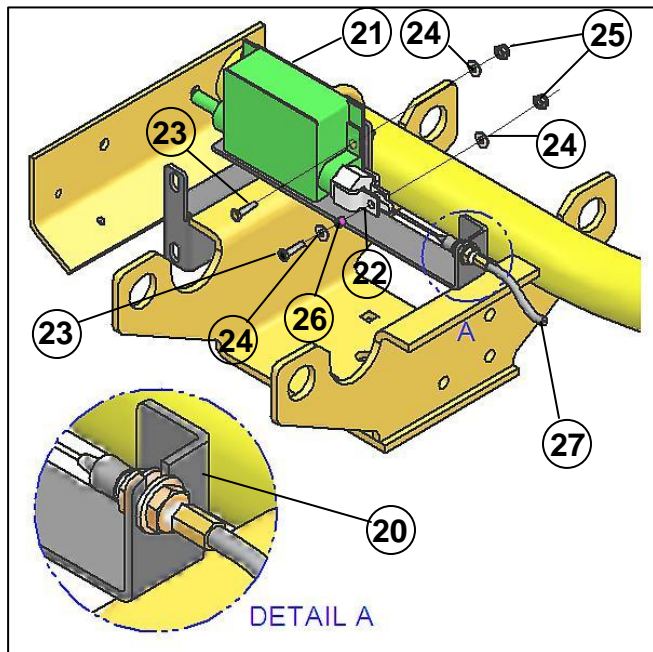
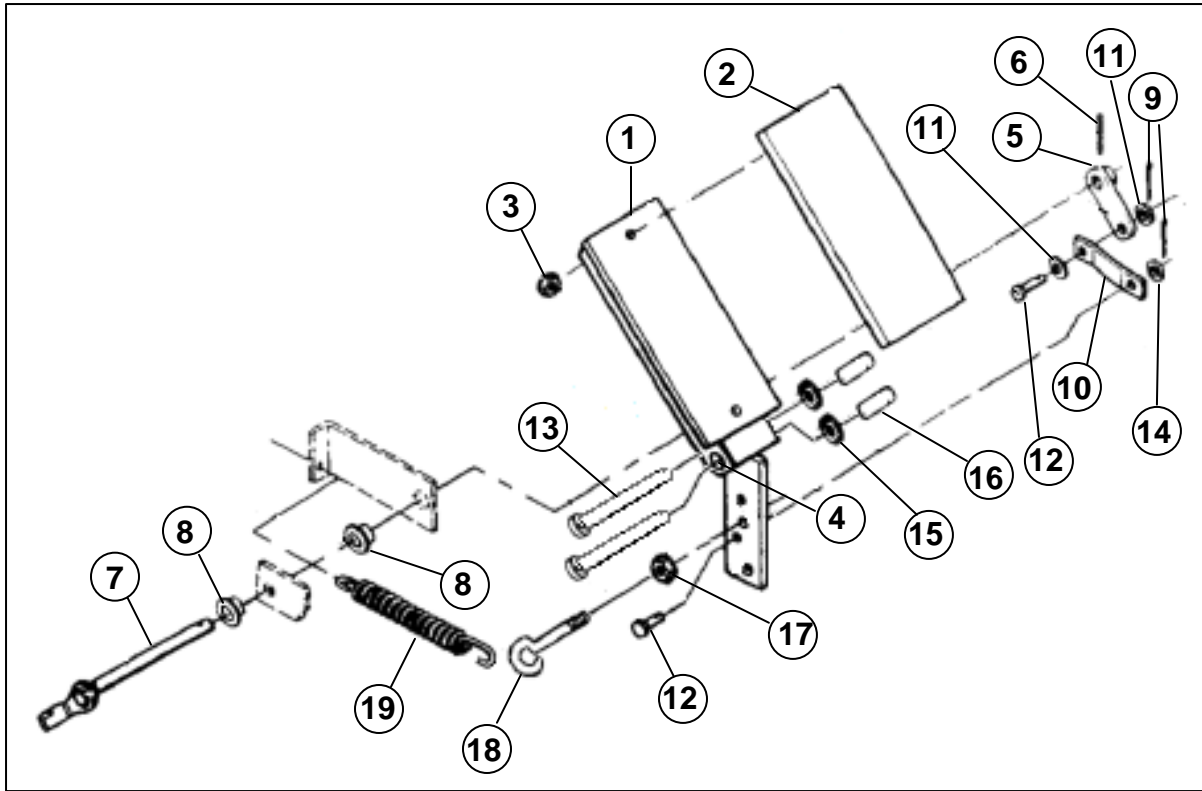
# HYDRAULIC BRAKE LINES & FITTINGS – C6



**HYDRAULIC BRAKE LINES & FITTINGS – C6 (Cont.)**

<b>ITEM</b>	<b>CPC P/N</b>	<b>DESCRIPTION</b>	<b>2 HYD QTY</b>	<b>4 HYD QTY</b>	<b>SEATS P/N</b>
1	41222-00	LINE, BRAKE, 3/16 X 20"	2	2	709358
2	2653-B	SCREW, 10-16 X 3/4, HWH, TEK, HC BLK	6	6	719583
3	9982	CLAMP STEEL TUBING 1/4	6	6	719756
4	69729-00	CONNECTOR, 3-WAY	1	1	508959
5	41206-00	UNION, INVERTED FLARE, 3/16	1	1	719657
6	41220-00A	BRAKE LINE 3/16X60	1	1	759841
7	11040	E-RING, .562 REINFORCED PHOS	1	3	719515
8	41216-00	HOSE, HYDRAULIC, FLEX, 22"	1	1	709430
9	41223-00	LINE, BRAKE, 3/16 X 8"	1	1	709601
10	41842-94	UNION TEE, 3/16" HYD BRAKE TUBE	1	3	709377
11	41440-02	LINE, BRAKE, 3/16 X 30"	1	1	709232
12	41431-02	BRAKE LINE, 3/8-24X3/16X6"	N/A	4	709812
13	41837-96	HOSE, BRAKE, HYD, FLEX 19.5:	N/A	2	709635
14	41858-08	MASTER CYLINDER .75" BORE	1	1	760318

# ACCELERATOR ASSEMBLY- MECHANICAL BRAKES – C6

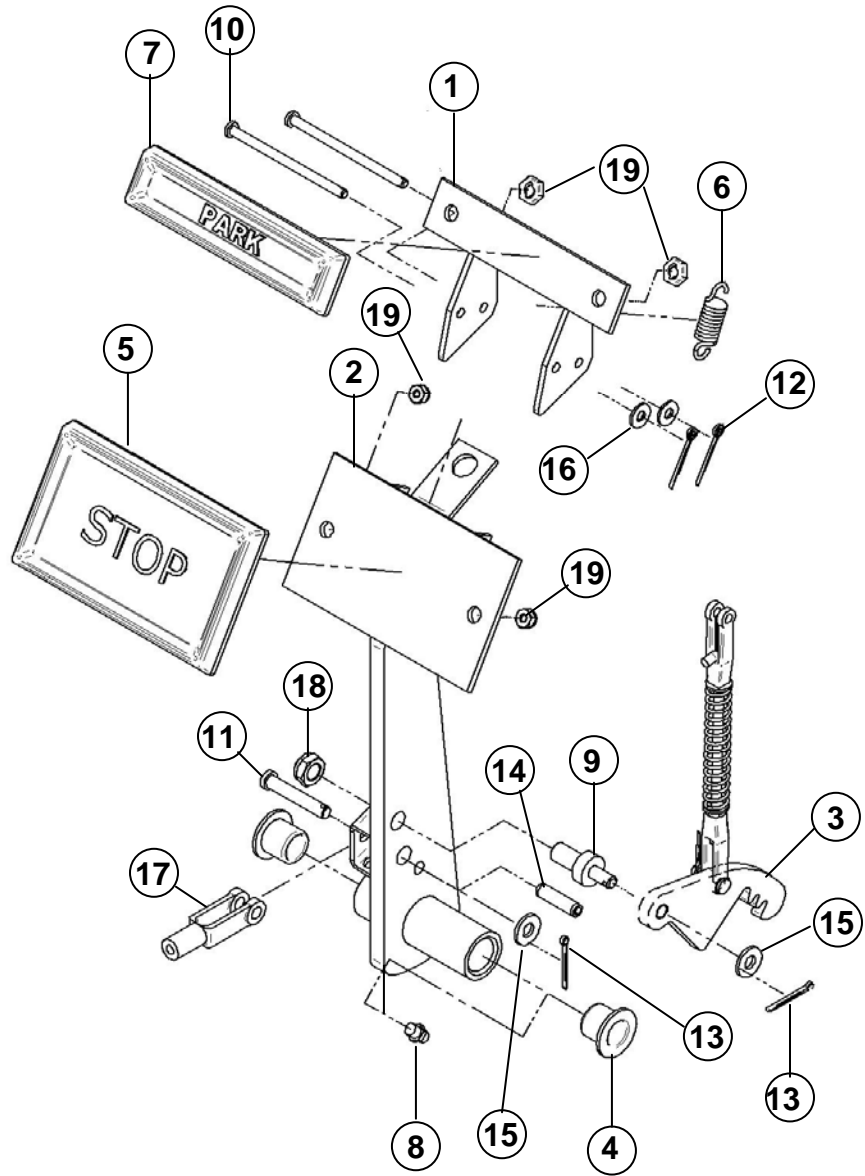




**ACCELERATOR ASSEMBLY- MECHANICAL BRAKES – C6 (Cont.)**

ITEM	CPC P/N	DESCRIPTION	QTY	SEATS P/N
1	40508-00	PEDAL ACCELERATOR	1	305729
2	40511-00	ACCELERATOR PEDAL PAD	1	709075
3	8128	SPEEDNUT 1/4	2	719922
4	10500	BUSHING PLASTIC (Both sides)	2	719508
N/A	40452-00	ACCELERATOR PEDAL ASSY (Includes Items 1 thru 4)	1	461448
5	40801-89	LINK ASSEMBLY	1	510197
6	601	PIN, ROLL .133X3/4"	1	719773
7	40805-89A	SHAFT, KICKOFF	1	510196
8	10502	BUSHING, KICKOFF SHAFT	2	719509
9	533	PIN, COTTER 5/64X1"	2	719743
10	40803-89A	LINK	1	709079
11	6150-W	WASHER, STEEL	2	719781
12	497	CLEVIS PIN 5/16X7/8	2	719713
13	319	CLEVIS PIN 1/4X3 1/2"	2	719598
14	6716	WASHER # 10	1	719812
15	5290	PALNUT, 1/4	2	719740
16	11437	CAP, BLACK VINYL	2	719527
17	7724-B	NUT, 1/4-20, L/N SER-FLG	3	719887
18	5240	EYEBOLT, 1/4-20X1, TURNED	1	719739
19	11805-96	SPRING, EXTENSION 8.2 LBS/IN	1	709076
20	40551-07	MOUNTING BRACKET	1	308613
21	70226-07	SEVCON LINEAR ACCEL.	1	759803
22	73064-07	M10-1.5 CLEVIS YOKE	1	759808
23	2339	SCREW, 10-24X3/4	4	719551
24	6702-B	WASHER # 10	4	719810
25	7624	NUT 10-24, NYLOCK	4	719870
N/A	70225-07	SEVCON LAD ASSEMBLY (Includes Item 20 and two (2) each Items 21 thru 25)	1	467457
26	5760	SPACER, BRASS	2	719769
27	40553-07A	CABLE, SPEED SWITCH LAD, W/ANTIFREEZE	1	760641
28	2551-W	SCREW, 1/4-20X1 HHC	1	719564
29	7686	NUT, 1/4-20 NYLOCK	1	719879

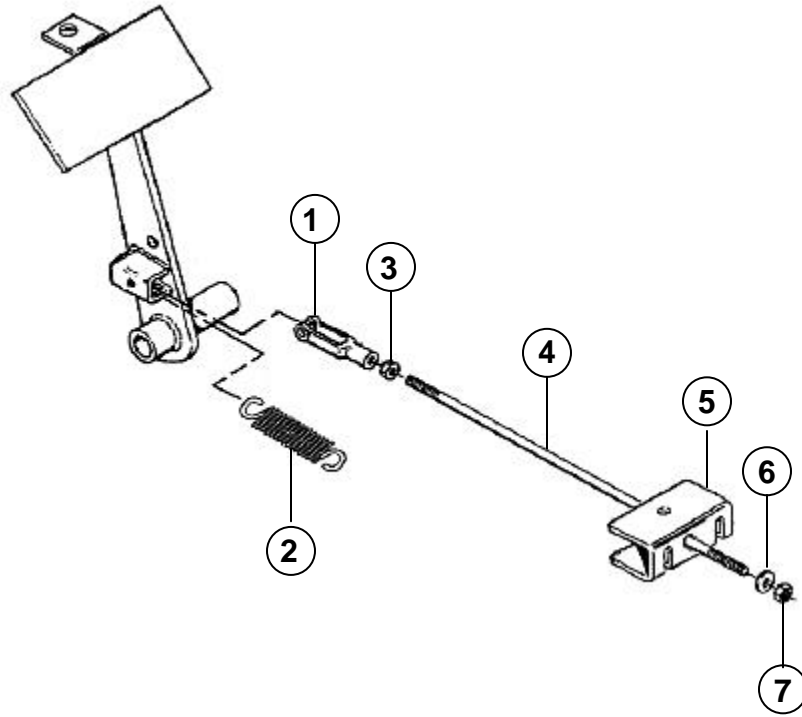
MECHANICAL BRAKE PEDAL ASSEMBLY W/O LIGHTS – C6



**MECHANICAL BRAKE PEDAL ASSEMBLY W/O LIGHTS C6 (Cont.)**

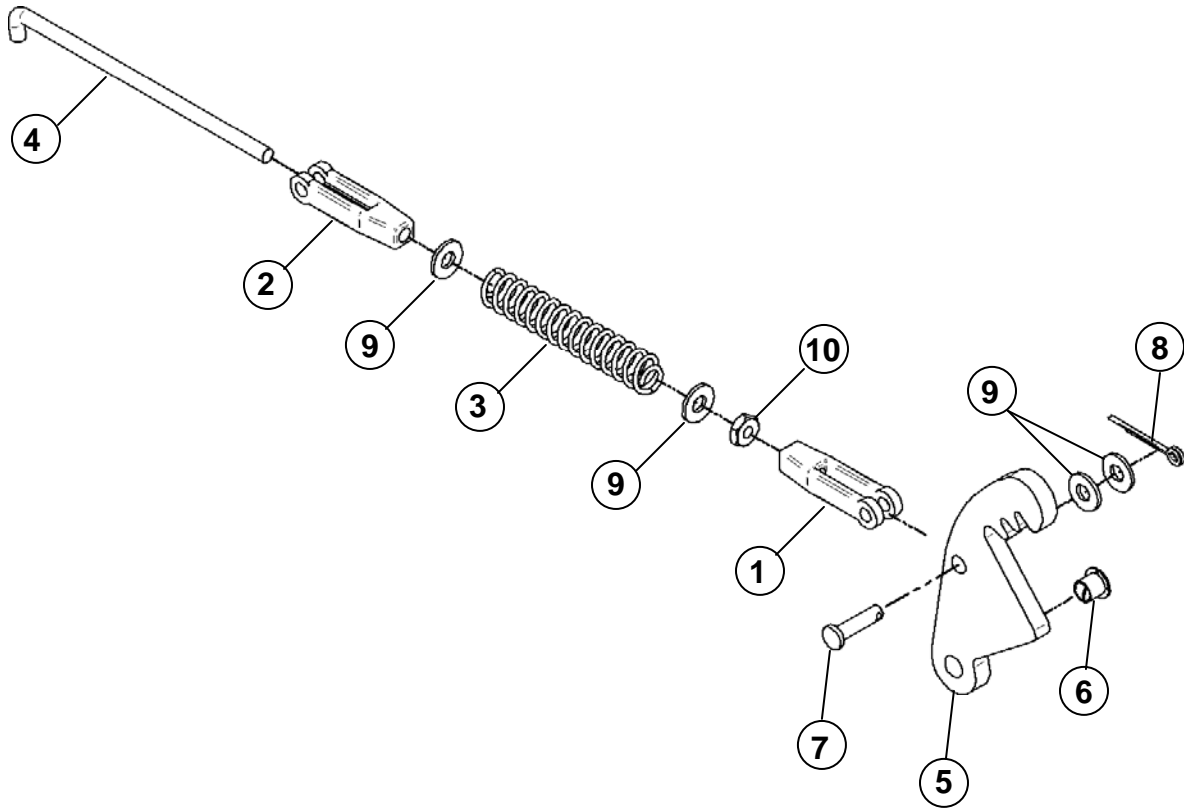
<b>ITEM</b>	<b>CPC P/N</b>	<b>DESCRIPTION</b>	<b>QTY</b>	<b>SEATS P/N</b>
1	42461-92	PARKING BRAKE PEDAL	1	303047
2	42410-92	BRAKE PEDAL	1	303070
3	N/A	PARKING BRAKE CATCH (See page 1-16 for components)	1	467300
4	26251-30A	BRAKE TUBE BUSHING	2	709026
5	42407-00	STOP PAD	1	709048
6	42452-86	RETURN SPRING	1	709070
7	42408-00	PEDAL PAD	1	709071
8	9800	GREASE FITTING	1	709110
9	4457	SCREW, 5/8X.25 SHR	1	719689
10	498	PIN, CLEVIS, 3/16X3	2	719714
11	499	PIN, 1/4X1 1/2	1	719716
12	515	COTTER PIN, 1/16X3/4	2	719726
13	533	COTTER PIN, 5/64X1	2	719743
14	611	ROLLED PIN, .25X1	1	719780
15	6703-B	WASHER, 1/4"	2	719811
16	6716	WASHER, #10	2	719812
17	73062-86A	CLEVIS YOKE, 1/4-28 RH	1	719854
18	77776-W	NUT, NYLOCK, 3/8X24	1	719901
19	8128	SPEED NUT 1/4"	2	719922

## MECHANICAL BRAKE PEDAL ROD ATTACHMENT-EU



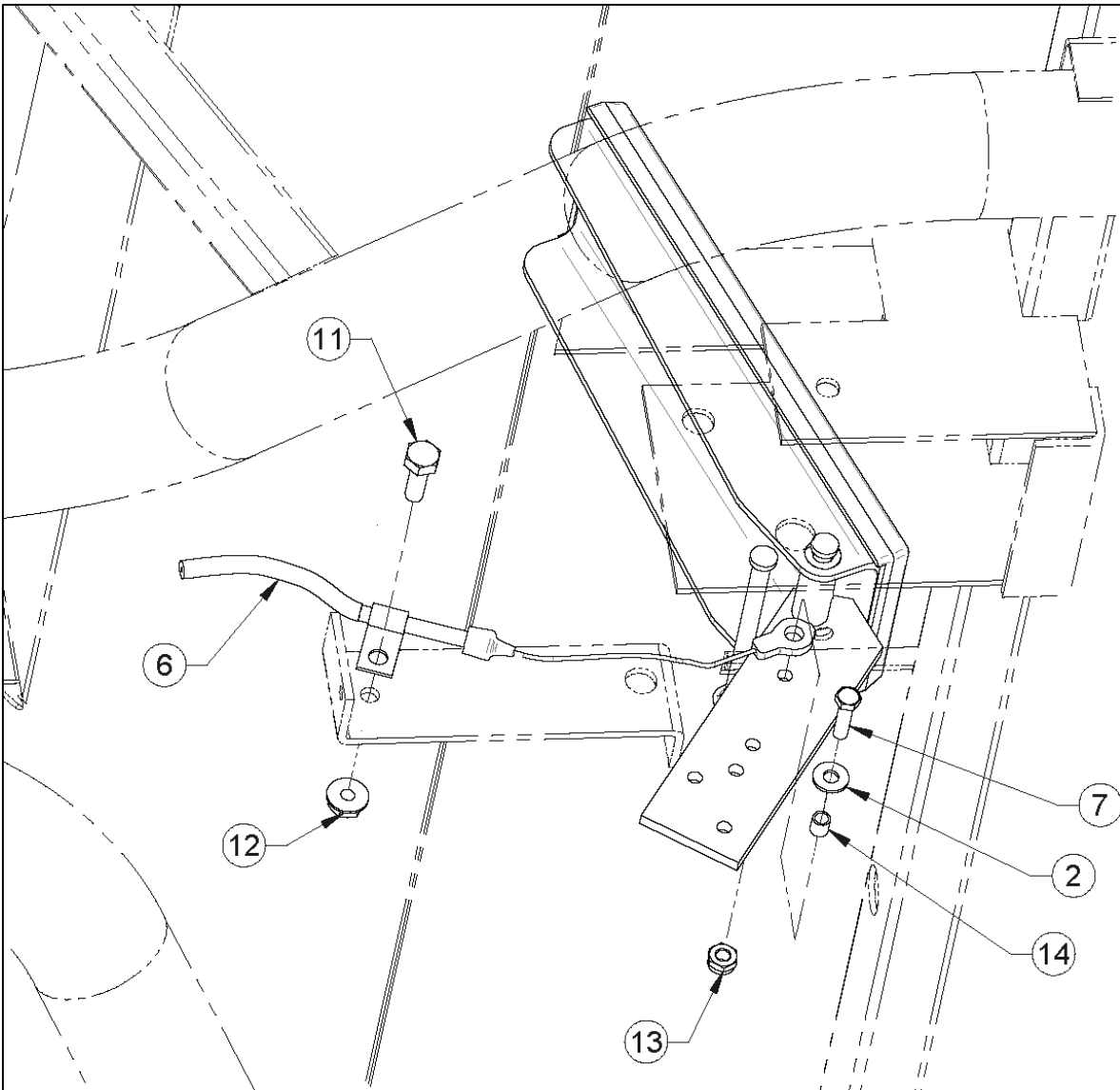
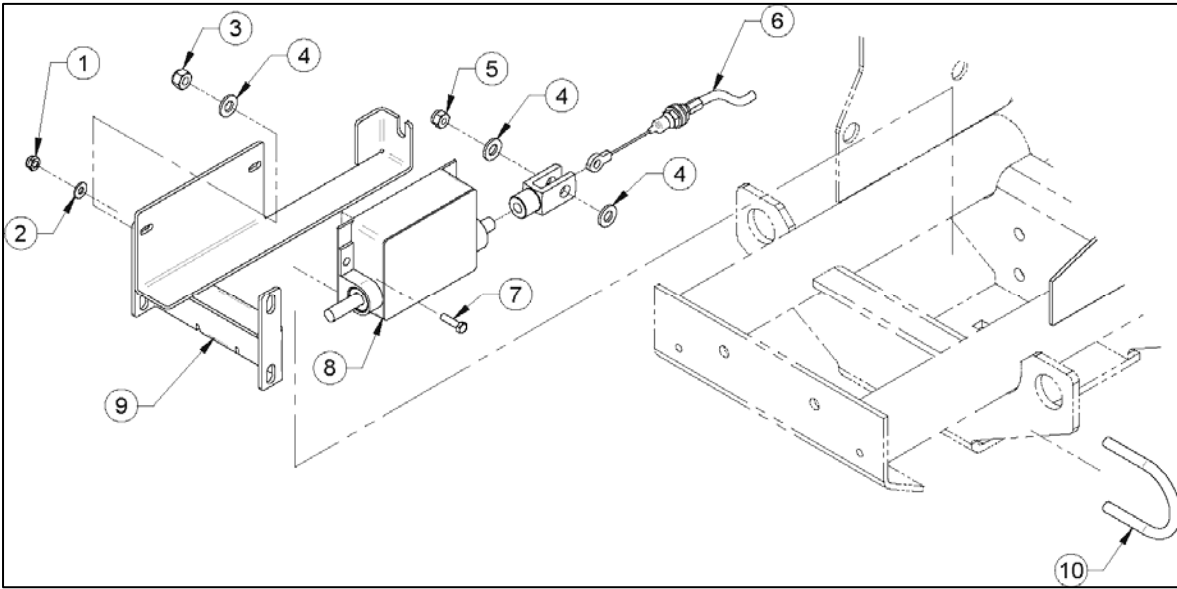
ITEM	CPC P/N	DESCRIPTION	QTY	SEATS P/N
1	73062-86A	YOKE, CLEVIS RH	1	719854
2	40509-67	SPRING EXTENSION	1	709073
3	7676	NUT, 1/4-28 HHC	1	719874
4	41519-00	ROD, 36.75"	1	709785
5	42402-89	EQUALIZER	1	509154PL
6	6703-B	WASHER 1/4"	1	719811
7	7683	NUT, 1/4-28, NYLOCK	1	719877

## PARKING BRAKE CATCH -C6



ITEM	CPC P/N	DESCRIPTION	QTY	SEATS P/N
1	42456-86	CLEVIS	1	709045
2	42456-91	CLEVIS W/O THREADS	1	709066
3	42457-91	SPRING	1	709067
4	42455-91	ROD	1	709068
5	42451-86	RATCHET	1	709069
6	10500	BUSHING, NYLON	1	719508
7	502	PIN, 3/16X3/4", CLEVIS	1	719718
8	515	PIN, 1/6X3/4" COTTER	1	719726
9	6716	WASHER, #10	4	719812
10	7638	NUT, #10-32 HEX	1	719872

# MECHANICAL BRAKES W/LAD – C6



**MECHANICAL BRAKES W/LAD – C6 (Cont.)**

<b>ITEM</b>	<b>CPC P/N</b>	<b>DESCRIPTION</b>	<b>QTY</b>	<b>SEATS P/N</b>
1	7624	NUT 10-24 GR A NM MACH NYLON LOCK	5	719870
2	6716	WASHER, #10, SAE, FW, HC BLACK	8	719812
3	7739	NUT, 5/16-18, NE, NYLON INSERT, GA, YWZC	4	719892
4	6702-B	WASHER FLT STL 5/16 BLK	11	719810
5	7686	NUT 1/4-20 GR A NE NYLON INSERT LCK	1	719879
6	40553-07A	CABLE, SPEEDSWITCH W/ANTIFREEZE	1	760641
7	2339	SCR, #10-24 X 3/4 HEX HD MACH "	8	719551
8	70226-07	LIN ACLTR UNIT -SEVCON	1	759803
9	40551-07	WLDM'T, BRKT, MNT'G -LIN ACLTR UNIT	1	308613
10	5211	5/16-18 X 2 11/16 X 2" X 1" U-BOLT	2	719734
11	3787-B	SCREW, HEX HEAD CAP 1/4-20 X 3/4 G5	1	719636
12	7724-B	NUT 1/4-20 GR A SERRATED FLNG LOCK	1	719887
13	7624	NUT 10-24 GR A NM MACH NYLON LOCK	3	719870
14	5760	SPACER BRASS, .192 ID X .25 OD X .25THK	1	719769

# **Shuttle Parts Manual**

## **Section 2**

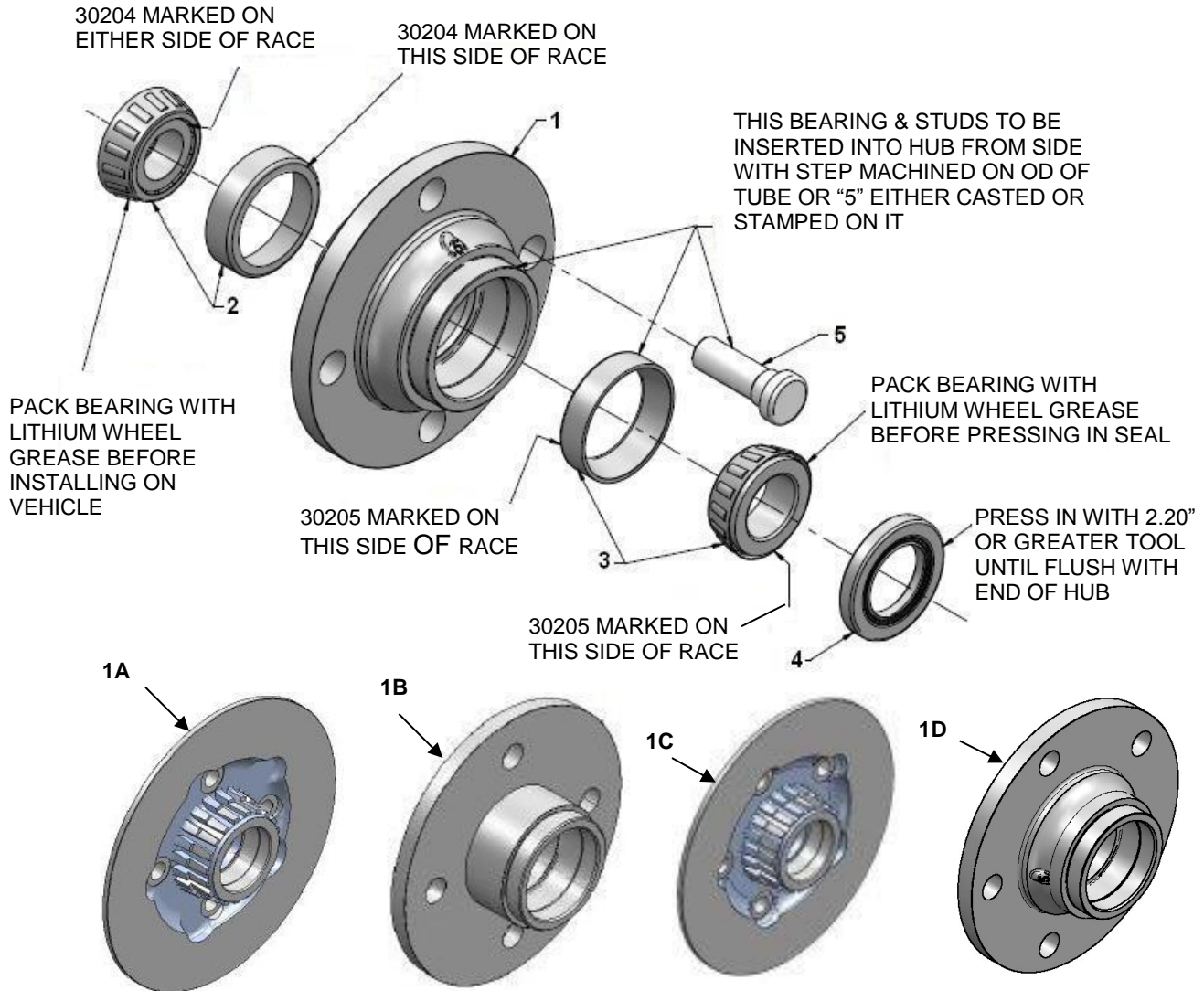
### **Steering and Front Suspension**



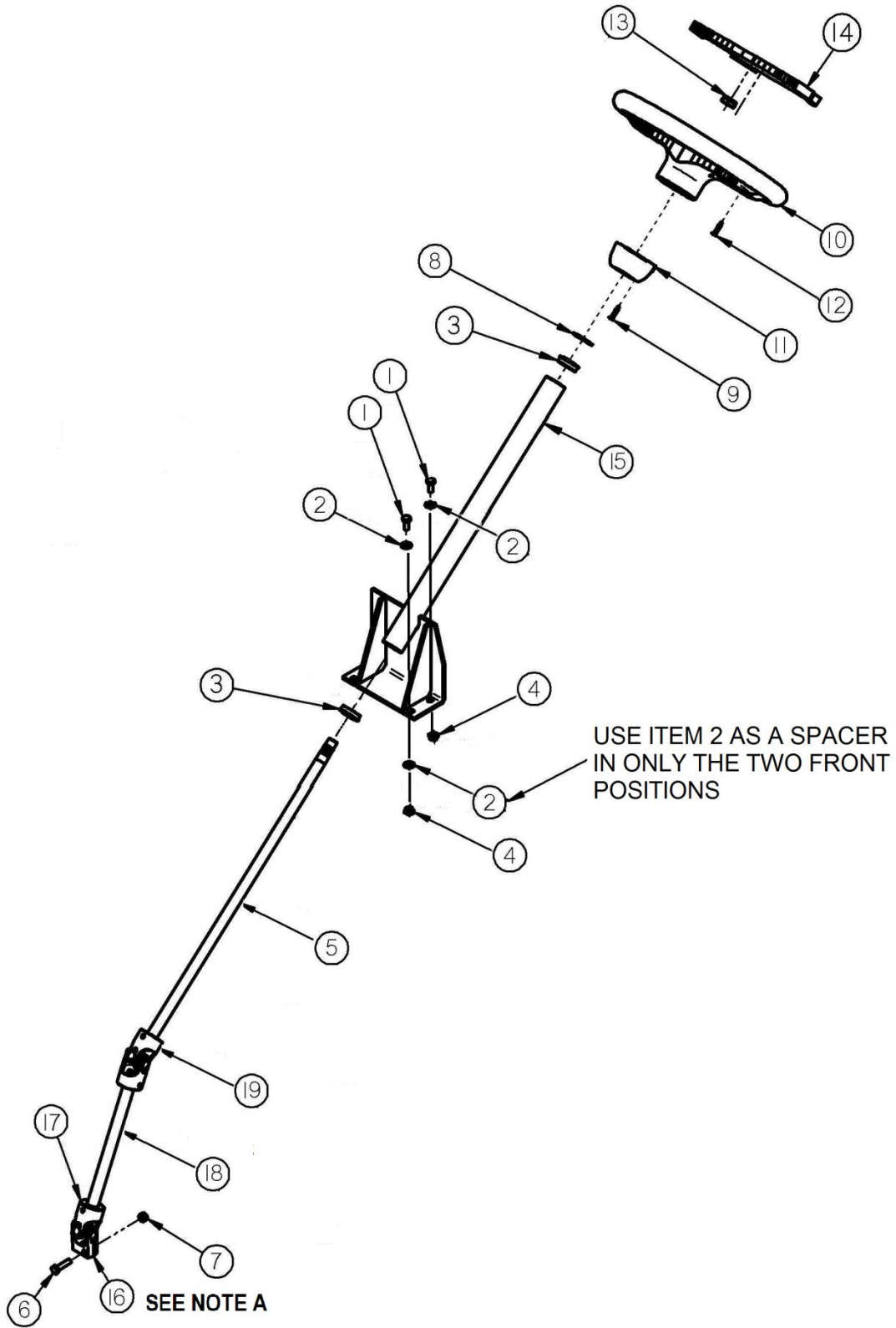
## HUB ASSEMBLY – C6

ITEM	CPC P/N	DESCRIPTION	QTY	SEATS P/N
1	*	HUB, 4.90" FLNG, 4 HOLE	1	759875
1A	*	HUB, W/INTEGRAL DISC, 4 HOLE	1	759867
1B	*	HUB, 5.63" OD FLNG, 4 HOLE	1	759869
1C	*	HUB/DISC 5 HOLE	1	759865
1D	*	HUB 5.63 OD, 5 LUG	1	759868
2	83038-07	TAPERED RLR BEARING, 20MM ID (30204)	1	759844
3	83039-07	TAPERED RLR BEARING, 25MM ID (32005X)	1	759843
4	12030	SEAL, OIL	1	709017
5	41199	WHEEL BOLT, 1/2-20 X 1-1/2 G5 YELLOW	4	719655
6	43488-07	ASSY, HUB, W/BRAKES (Contains Items 1, 2 - 5)	1	467765
6A	41033-08	ASSY, HUB DISC, (Contains Items 1A, 2 - 5)	1	467763
6B	43482-07	ASSY, HUB, W/O BRAKES (Contains Items 1B, 2 - 5)	1	467762
6C	41034-08	ASSY, HUB DISC, (Contains Items 1C, 2 - 5)	1	467764
6D	43483-07	ASSY, HUB 5.63 OD, 5 LUG (Contains Items 1D, 2 - 5)	1	467761

\* ONLY AVAILABLE AS ITEMS 6 OR 6ABCD



# STEERING COLUMN - C6

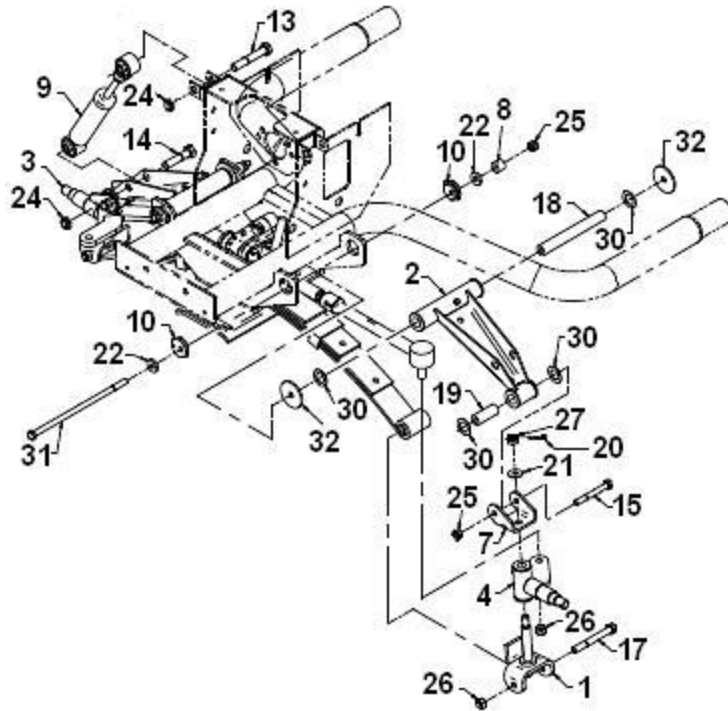


**STEERING COLUMN – C6 (Cont.)**

<b>ITEM</b>	<b>CPC P/N</b>	<b>DESCRIPTION</b>	<b>QTY</b>	<b>SEATS P/N</b>
1	3987-BS	SCREW, HEX HEAD CAP 5/16-18X3/4 G5	4	719642
2	6702-B	WASHER FLT STL 5/16 BLK MAXCOAT	6	719810
3	9029	BALL BEARING, .75 ID	2	709023
4	7525	NUT 5/16-18 GR A SERRATED FLNG LOCK	4	719864
5	57101-08	STEERING SHAFT ASSY, 39.197" OAL	1	759916
6	3925	SCR, 5/16-18 X 1-3/4 HHCS, G8, ZC	1	708746
7	57112-11	NUT, 5/16-18, NYLOK, G8, YWZC	1	781120
8	6656	BUSHING 3/4 X 1-1/2 X 14GA WIDE RIM YWZ	1	719809
9	2638	SCREW, #6X3/4, PPH (USED WITH ITEM 10)	2	719577
N/A	57061-99	STEERING WHEEL ASSEMBLY 9(Includes Items 8, 9, 10 & 11)	1	463399
10	57069-84	STEERING WHEEL, SPORT	1	709056
11	57098-98	STEERING HUB COVER (USED WITH ITEM 10)	1	709085
12	2641	SCREW, #10 X 1, PPH, TAPPING (Used with Item 14)	3	729263
13	7995	NUT, 5/16-18 GR A NTE NYLON JAM INSERT	1	719919
14	57089-99	SCORECARD HOLDER (USED WITH ITEM 10)	1	709043
15	57141-98	STEERING COLUMN	1	305425
16	57109-08	YOKE ASSEMBLY, BOLT-WELD	1	759918
17	760010	ROLL PIN 1/4X1 3/4	3	760010
18	N/A	INTERMEDIATE SHAFT	1	N/A
19	57108-08	YOKE ASSEMBLY, WELD-WELD	1	759917
20	57085-84B	STEERING WHEEL KIT (Includes 57061-99, Items 12 & 14)	1	191817U

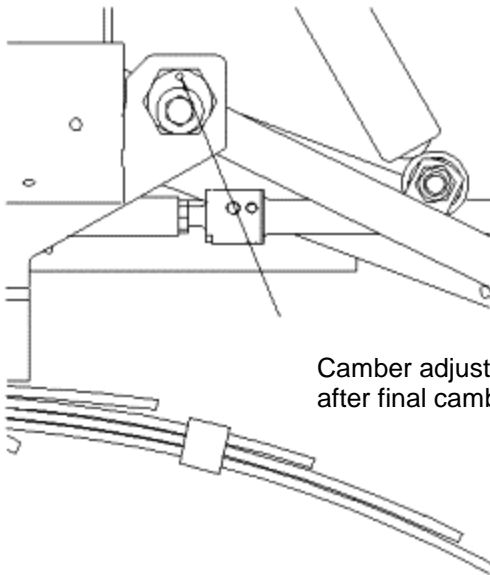
NOTE A: If replacing only the splined yoke see Service Bulletin SB 10-009.

## FRONT SUSPENSION – C6



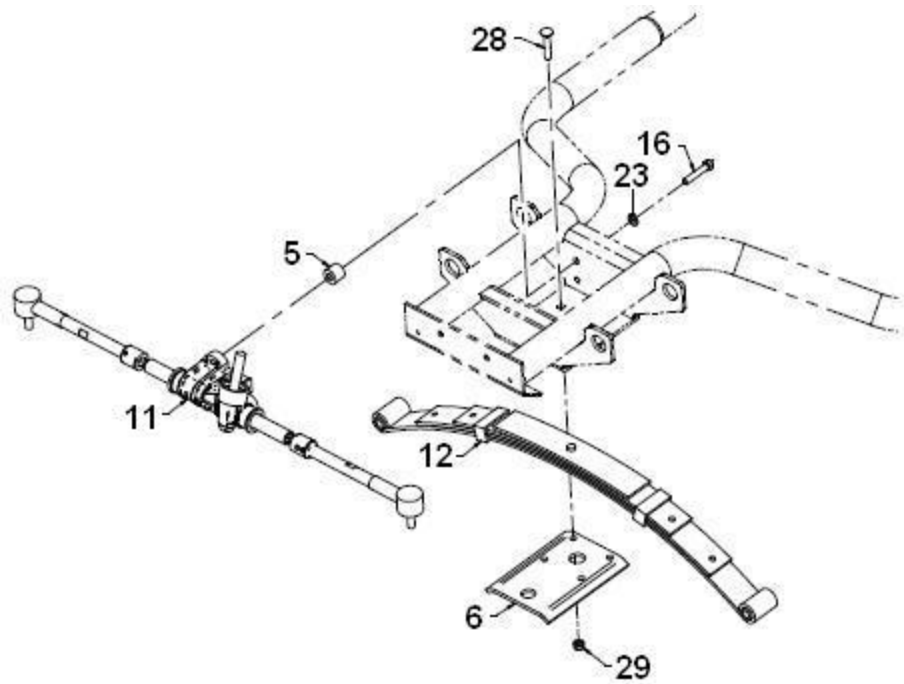
### NOTES:

1. Assemble all hardware finger tight. Torque to the following specs after complete assembly.
2. Torque Specifications:
  - Item 10 and 31 to 25 ft. lbs. after final camber adjustment.
  - Item 15 to 35 - 40 ft. lbs.
  - Items 13 & 14 to 45 ft. lbs.
  - Item 27 to 30 ft. lbs.
  - Item 17 to 40 ft. lbs.



Camber adjuster (Item 10) shown in starting position. Torque to 25 ft. lbs after final camber adjustment.

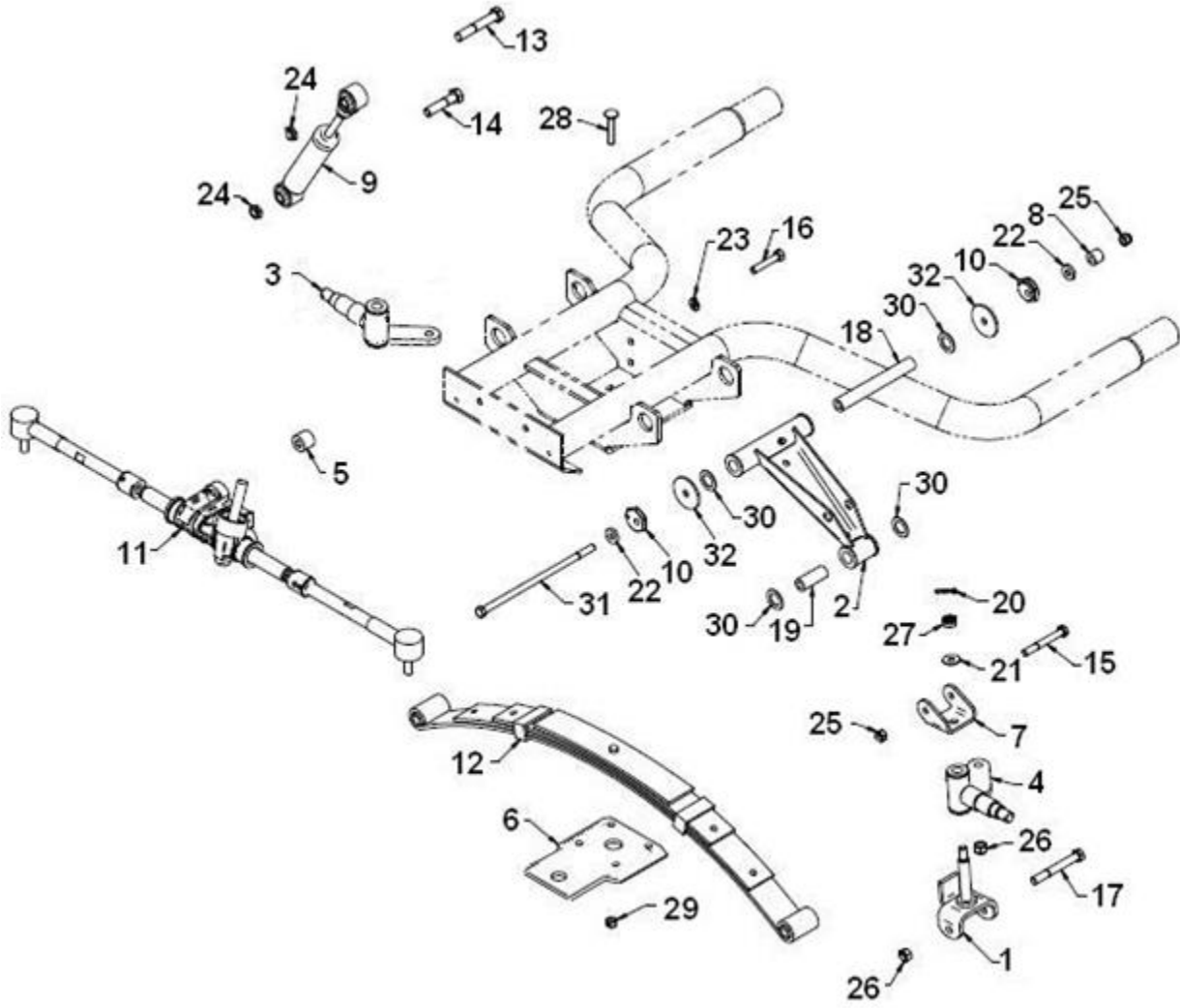
## FRONT SUSPENSION – C6 (Cont.)



### NOTES:

1. Assemble all hardware finger tight. Torque to the following specs after complete assembly.
2. Torque Specifications:  
Item 16 to 30 ft. lbs.  
Items 28 to 45 ft. lbs. in a crisscross pattern

FRONT SUSPENSION – C6 (Cont.)



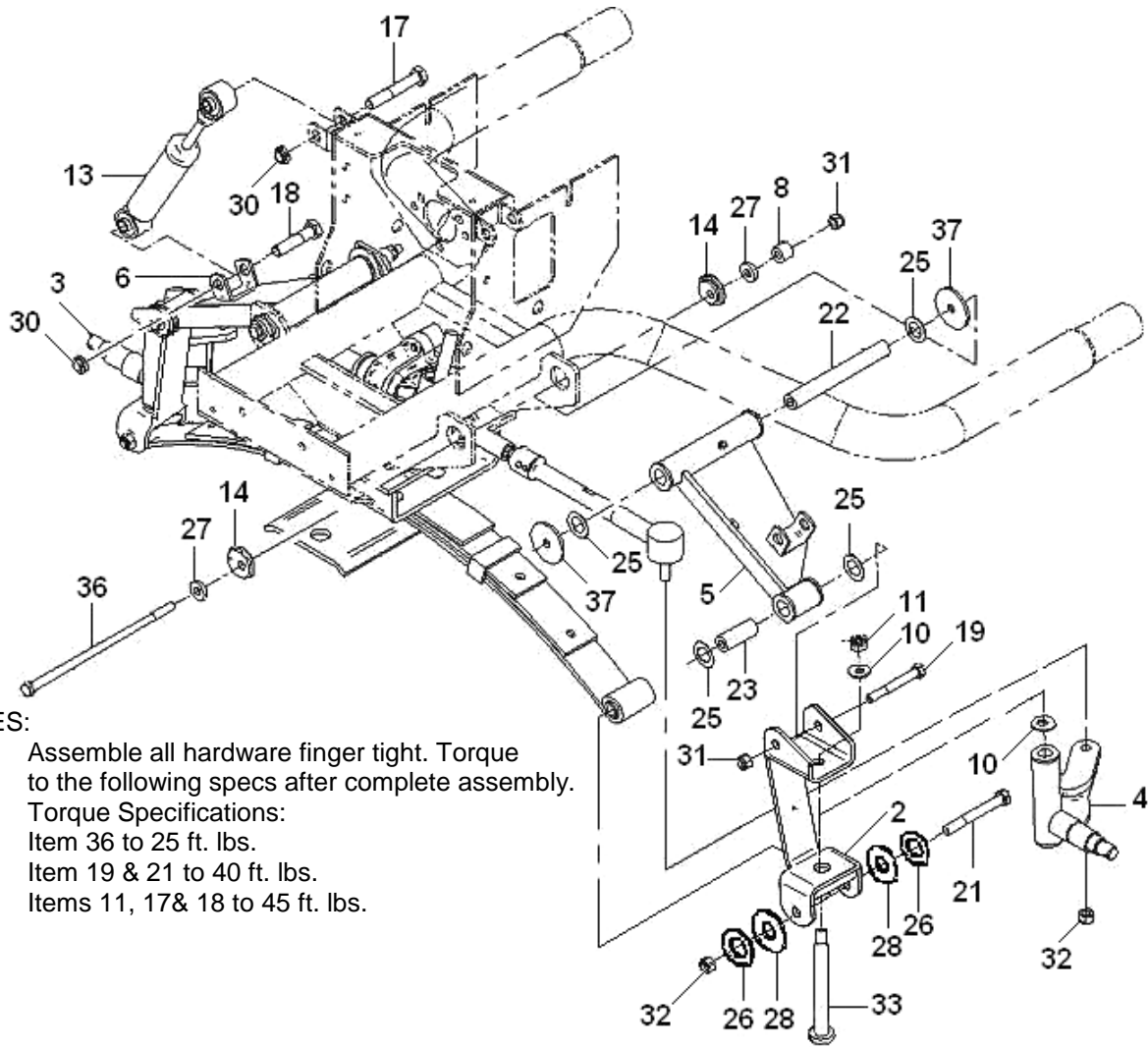
**FRONT SUSPENSION – C6 (Cont.)**

ITEM	CPC P/N	DESCRIPTION	QTY	SEATS P/N
1	57054-90	KINGPIN	2	303088
2	45399-97	A-ARM ASSY	2	461913
*	43937-86	BUSHING .75" ID SINTERED (Included w/Item 2)	2	709010
*	36460-96	BUSHING .75" ID BRONZE (Included w/Item 2)	2	709008
3	57160-88A	ASSY, RH STEERING SPINDLE	1	468816
*	43938-86	BUSHING .75" ID SINTERED (Included w/Item 3)	2	709005
4	58000-88	ASSY, LH STEERING SPINDLE	1	463528
*	43938-86	BUSHING .75" ID SINTERED (Included w/Item 4)	2	709005
5	53961-01	SPACER, RACK AND PINION MOUNT	3	508915
6	54980-09	SPRING PLATE REAINER 1/4	1	513034
7	45407-97	A-ARM MOUNTING BRACKET	2	510188
8	24693-07	SPACER 0.375 ID X 0.750 OD X 0.625	2	511674PL
9	54514-89	SHOCK ABSORBER	2	709006
10	43946-88	CAMBER ADJUSTER, SINTERED METAL	4	709009
11	57226-01	RACK & PINION ASSEMBLY	1	709061
12	43929-95	SPRING, 4-LEAF,	1	709609
*	43945-86	BUSHING SPRING EYE (Included w/Item 12)	2	739129
13	3406	SCREW, 1/2-13 X 3 GRD 5 HHC	2	719610
14	3407	SCREW 1/2-13 X 2-1/4 HEX CAP	2	719611
15	3508	SCREW, 3/8-24 X 3 GRD 5 HHC	2	719625
16	3775	SCREW 3/8-16 x 2 HHCS	3	719634
17	4253	SCR, HX HD 7/16-20 X 3.5 G5	2	719664
18	43950-88	SPACER, .750/.747 X 5.92/5.91	2	719681
19	43952-97	SPACER, .750/.747 X 1.894	2	719682
20	520-W	PIN. COTTER 1/8X1	2	719728
21	708482	WASHER, 7/16" STD. FLAT, THRU-HARD	2	708482
22	6607-W	WASHER FLT STL, YWZC .390X.910X.18	4	719804
23	7038-B	WASHER -3/8" REG SPRG, LOCK, BLK ZC	3	719836
24	7685	NUT, 1/2-13 A NTE NYLON LOCK	4	719878
25	7775	NUT, 3/8-24 GR A NE NYLON INS LOCK	4	719900
26	7825	NUT, 7/16-20, LOCK, GA, NE, NYLON INSERT	4	719908
27	7948	NUT, 7/16-20, SLOTTED	2	719917
28	781111	SCREW, 3/8-16 X 2, CARR., G 8	4	781111
29	7755	NUT, 3/8-16, L/N, GB, YWZC	4	760721
30**	5714	WASHER, .760X1.25X.010 F/W 18-8SS	8	719759
30**	5715	WASHER, .760X1.25X.020 F/W 18-8SS	8	719760
31	3452A	SCREW, 3/8-24 X 9, HHCS, GR5	2	781205
32	6801A	WASHER, .406 X 2.000 X .134, FLAT	4	781206
N/A	43859-07	KIT, 9" A-ARM BOLT (Includes Items 8, 22, 25, 30, 31, & 32)	1	191439U

\* NOT SHOWN

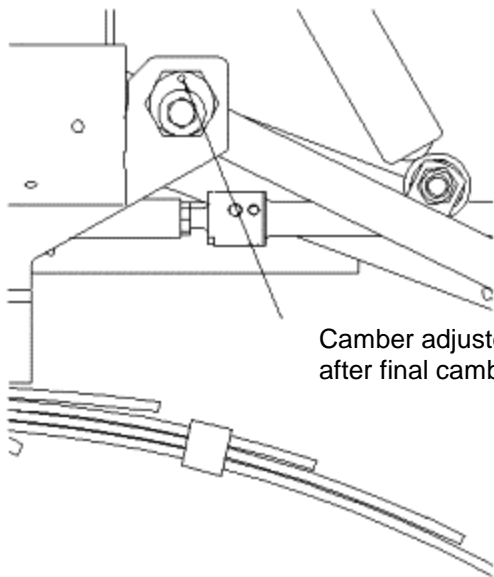
\*\* USE 5714 AND/OR 5715 AS REQUIRED TO ACHIEVE SNUG FIT

## FRONT SUSPENSION – 4 WHEEL HYD BRAKES C6



**NOTES:**

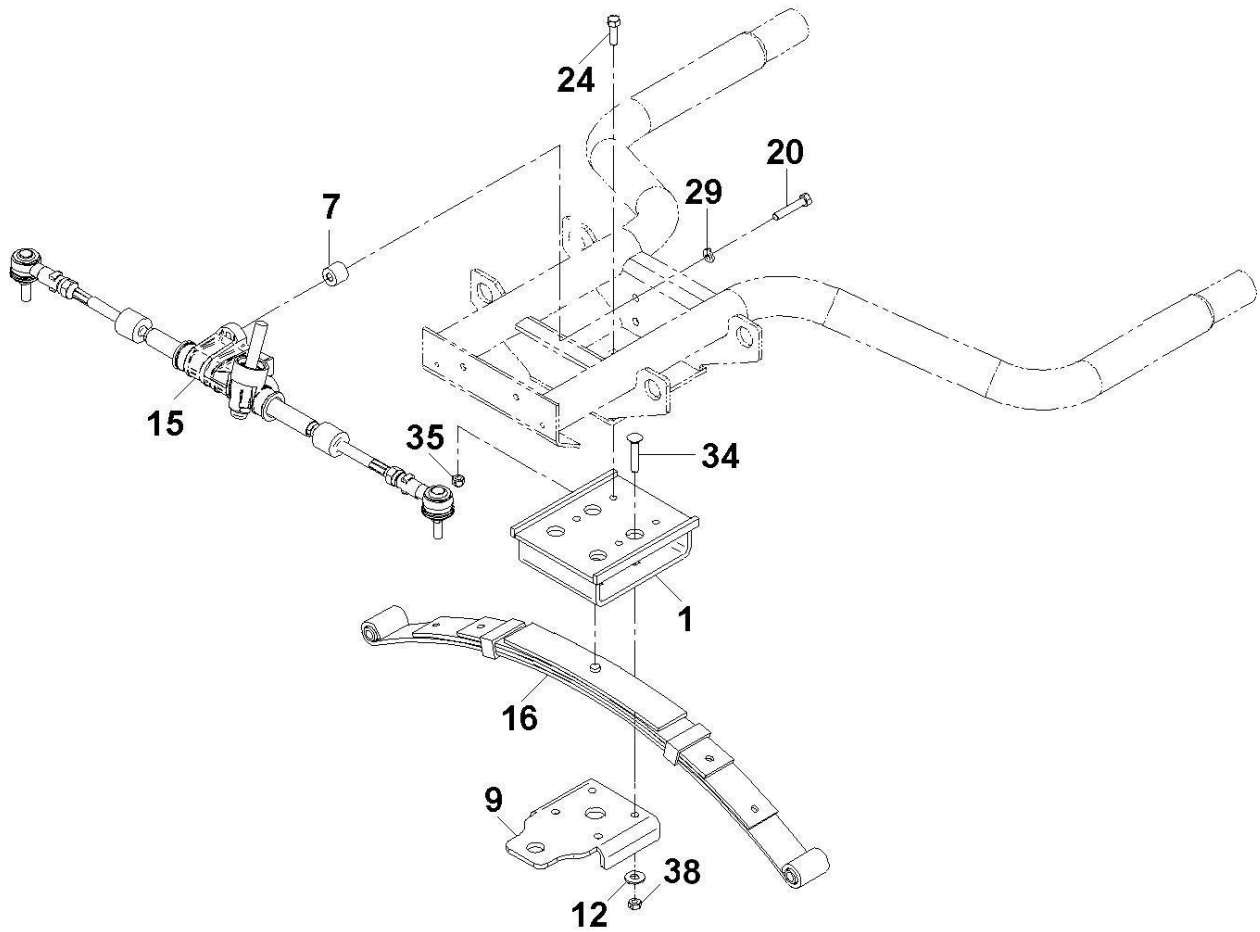
1. Assemble all hardware finger tight. Torque to the following specs after complete assembly.
2. Torque Specifications:  
 Item 36 to 25 ft. lbs.  
 Item 19 & 21 to 40 ft. lbs.  
 Items 11, 17& 18 to 45 ft. lbs.



Camber adjuster (item 14) shown in starting position. Torque to 25 ft. lbs after final camber adjustment.



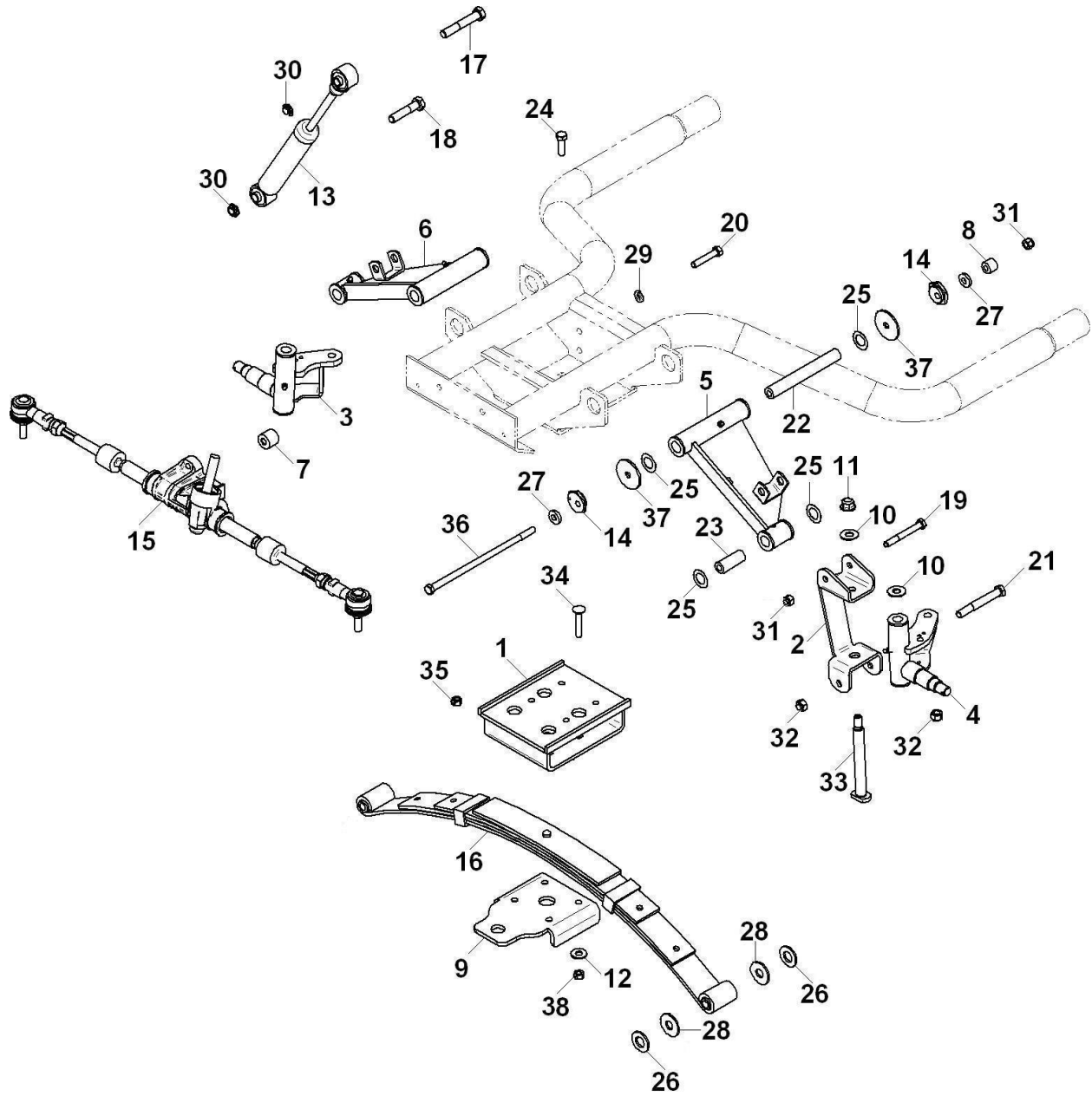
## FRONT SUSPENSION -4 WHEEL HYD BRAKES C6 (Cont.)



### NOTES:

1. Assemble all hardware finger tight. Torque to the following specs after complete assembly.
2. Torque Specifications:  
Item 20 & 24 to 30 ft. lbs.  
Items 34 to 45 ft. lbs. in a crisscross pattern

FRONT SUSPENSION – 4 WHEEL HYD BRAKES C6 (Cont.)



**FRONT SUSPENSION – 4 WHEEL HYD BRAKES C6 (Cont.)**

ITEM	CPC P/N	DESCRIPTION	QTY	SEATS P/N
1	40943-04	WELDM'T, FRONT LIFT -SUMMIT	1	307536EC
2	56950-09	KINGPIN BRACKET	2	310004EC
3	57152-04	ASSY, RH SMT SPINDLE	1	467162
*	57149-04	ASSY, RH SMT SPINDLE, W/BRAKE MOUNT	1	467274
4	57153-04	ASSY, LH SMT SPINDLE	1	467163
*	57148-04	ASSY, LH SMT SPINDLE, W/BRAKE MOUNT	1	467275
*	43938-86	BUSHING .75" ID SINTERED (Included w/Items 3 & 4)	2	709005
5	45397-04	ASSY, LH SMT A-ARM	1	467164
6	45398-04	ASSY, RH SMT A-ARM	1	467165
*	43937-86	BUSHING .75" ID SINTERED (Included w/Items 5 & 6)	2	709010
*	36460-96	BUSHING .75" ID BRONZE (Included w/Items 5 & 6)	2	709008
7	53961-01	SPACER, RACK AND PINION MOUNT	3	508915
8	24693-07	SPACER 0.375 ID X 0.750 OD X 0.625	2	511674PL
9	54980-09	SPRING PLATE REAINER 1/4	1	513034
10	708482	WASHER, 7/16" STD. FLAT, THRU-HARD	2	708482
11	8169	NUT, 7/16-20, L/N, FLG, TOP,GG, ZC&WAX	2	708592
12	708840	WASHER, 3/8", FLAT, PLTD	4	708840
13	54514-89	SHOCK ABSORBER	2	709006
14	43946-88	CAMBER ADJUSTER, SINTERED METAL	4	709009
15	57226-01	RACK & PINION ASSEMBLY	1	709061
16	43929-95	SPRING, 4-LEAF, HD, UTILITY	1	709609
*	43945-86	BUSHING SPRING EYE (Included w/Item 16)	2	739129
17	3406	SCREW, 1/2-13 X 3 GRD 5 HHC	2	719610
18	3407	SCREW 1/2-13 X 2-1/4 HEX CAP	2	719611
19	3508	SCREW, 3/8-24 X 3 GRD 5 HHC	2	719625
20	3775	SCREW 3/8-16 x 2 HHCS	3	719634
21	4253	SCR, HX HD 7/16-20 X 3.5 G5	2	719664
22	43950-88	SPACER, .750/.747 X 5.92/5.91	2	719681
23	43952-97	SPACER, .750/.747 X 1.894	2	719682
24	4716-W	SCREW, HX HD CAP 3/8-16 X 1 1/4 G5	4	719694
25**	5714	WASHER, .760X1.25X.010 F/W 18-8SS	8	719759
25**	5715	WASHER, .760X1.25X.020 F/W 18-8SS	8	719760
26	57363-95	WASHER, FLT NYLON, .76IDX1.42OD	4	719767
27	6607-W	WASHER FLT STL, YWZC .390X.910X.18	4	719804
28	6655-B	WASHER FLT STL. BLK HC, 9/16"	4	719808
29	7038-B	WASHER -3/8" REG SPRG, LOCK, BLK ZC	3	719836
30	7685	NUT, 1/2-13 A NTE NYLON LOCK	4	719878
31	7775	NUT, 3/8-24 GR A NE NYLON INS LOCK	4	719900
32	7825	NUT, 7/16-20, LOCK, GA, NE, NYLON INSERT	4	719908
33	56951-09	KINGPIN, BOLT ON	2	760563
34	781111	SCREW, 3/8-16 X 2, CARR., G 8	4	781111

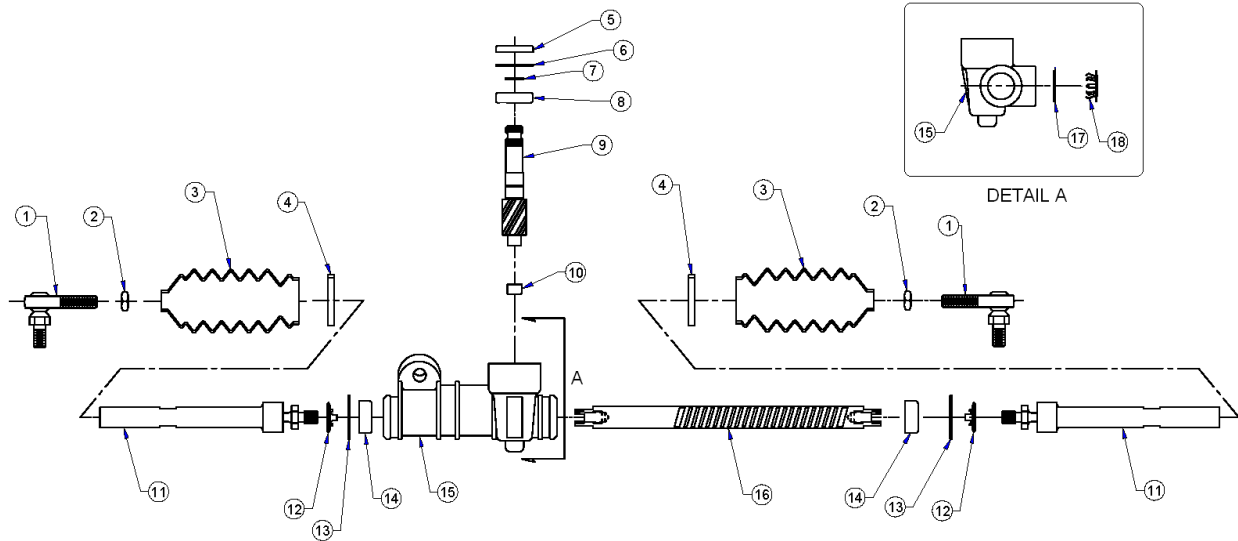
**FRONT SUSPENSION – 4 WHEEL HYD BRAKES C6 (Cont.)**

<b>ITEM</b>	<b>CPC P/N</b>	<b>DESCRIPTION</b>	<b>QTY</b>	<b>SEATS P/N</b>
35	781113	NUT,3/8-16,L/N,GB,YWZC	4	781113
36	3452A	SCREW, 3/8-24 X 9, HHCS, GR5	2	781205
37	6801A	WASHER, .406 X 2.000 X .134, FLAT	4	781206
38	7755	NUT, 3/8-16, L/N, FLG TOP, GG	4	760721
N/A	57257-09	KIT, BOLT THRU KINPIN (Includes 2, 10, 11, 31-33)	1	191786U
N/A	43859-07	KIT, 9" A-ARM BOLT (Includes Items 8, 25, 27, 31, 36, 37)	1	191439U
N/A	93274-03	KIT, LIFT	1	191424U

\* NOT SHOWN

\*\* USE 5714 AND/OR 5715 AS REQUIRED TO ACHIEVE SNUG FIT

## RACK & PINION ASSEMBLY – C6



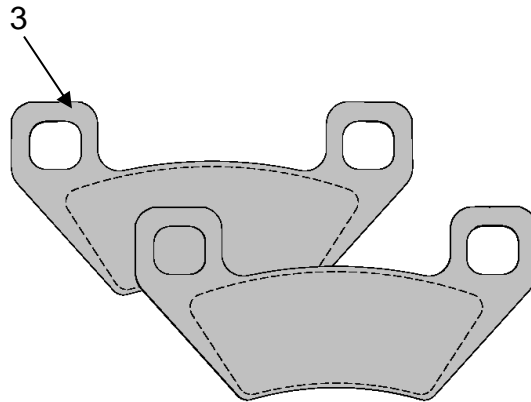
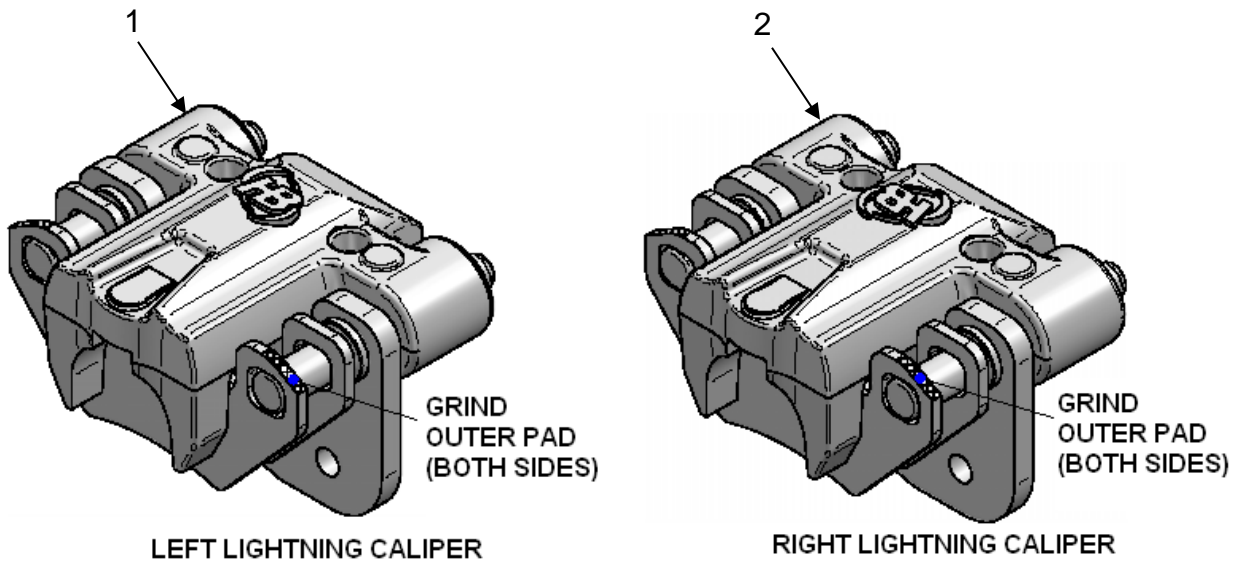
ITEM	CPC P/N	DESCRIPTION	QTY	SEATS P/N
1	43958-00	ROD END	2	709099
2	7829	NUT, M14 X 1.5, JAM - TIE ROD	2	749305
3	57168-00	BOOT, STEERING	2	709106
4	N/A	CLAMP, STEERING BOOT	2	N/A
5	57183-01	SEAL, OIL- PINION	1	739675
6	861	RING, RETAINING - PINION	1	719942
7	862	RING, RETAINING	1	719943
8	9002	BEARING BALL - PINION	1	749707
9	57180-01	PINION STEERING GEAR	1	739674
10	43900-01	BUSHING PINION	1	739123
11	57172-00	BALL JOINT, TIE ROD	2	709101
12	57190-88	LOCK WASHER, STEERING	2	709097
13	57166-88	WASHER, STEERING STOP	2	709100
14	43901-01	BUSHING RACK	2	739124
15	53960-01	HOUSING, RACK & PINION	1	709061
16	57171-01	RACK STEERING GEAR	1	739665
17	11112	O-RING, #22 1 X 1-1/8 X 1/16 BUNA	1	719517
18	63912	PLUG 1" 12 PRONG HOLE ZNC/CLEAR	1	719794
19	57226-01	RACK & PINION ASM (Includes Items 1-18)	1	709061
20*	93250	BALL JOINT REPLACEMENT KIT (Includes Items 1, 3, 7, 11 – 13) SEE NOTE	1	191868U

\* NOTE: Kit services one side. Item 4 is replaced with a cable tie, P/N 10043

## BRAKE CALIPERS – C6

ITEM	CPC P/N	DESCRIPTION	QTY	SEATS P/N
1	41253-04	CALIPER LH LIGHTNING HAYES	1	719421
2	41253-04	CALIPER RH LIGHTNING HAYES	1	719420
3	41863-05	BRAKE PAD KIT	2	719458

NOTE: Outer pad must be machined before use. See SB12-002 for details.



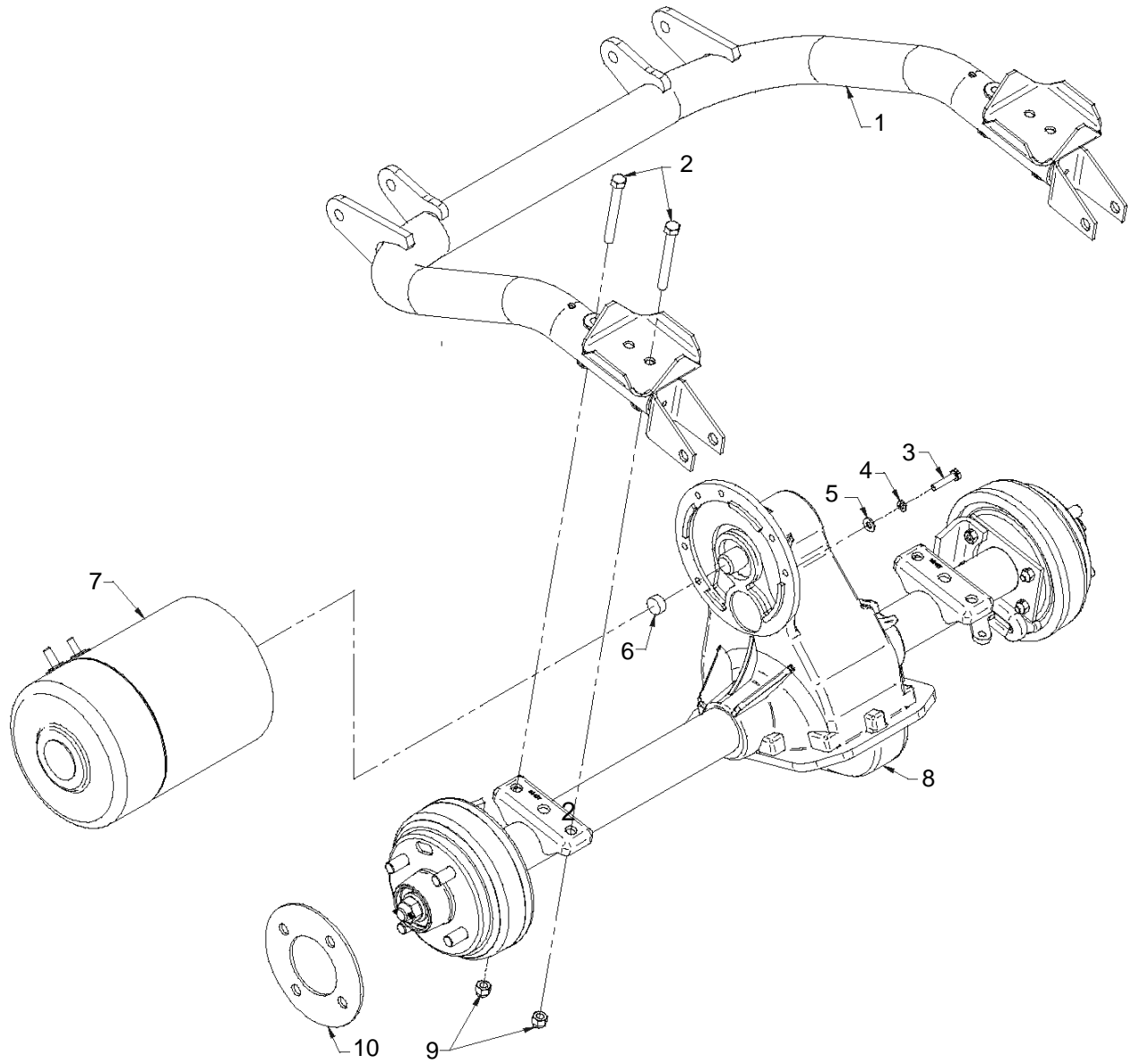
Brake Pad Kit as shown will require machining of one pad.

# **Shuttle Parts Manual**

## **Section 3**

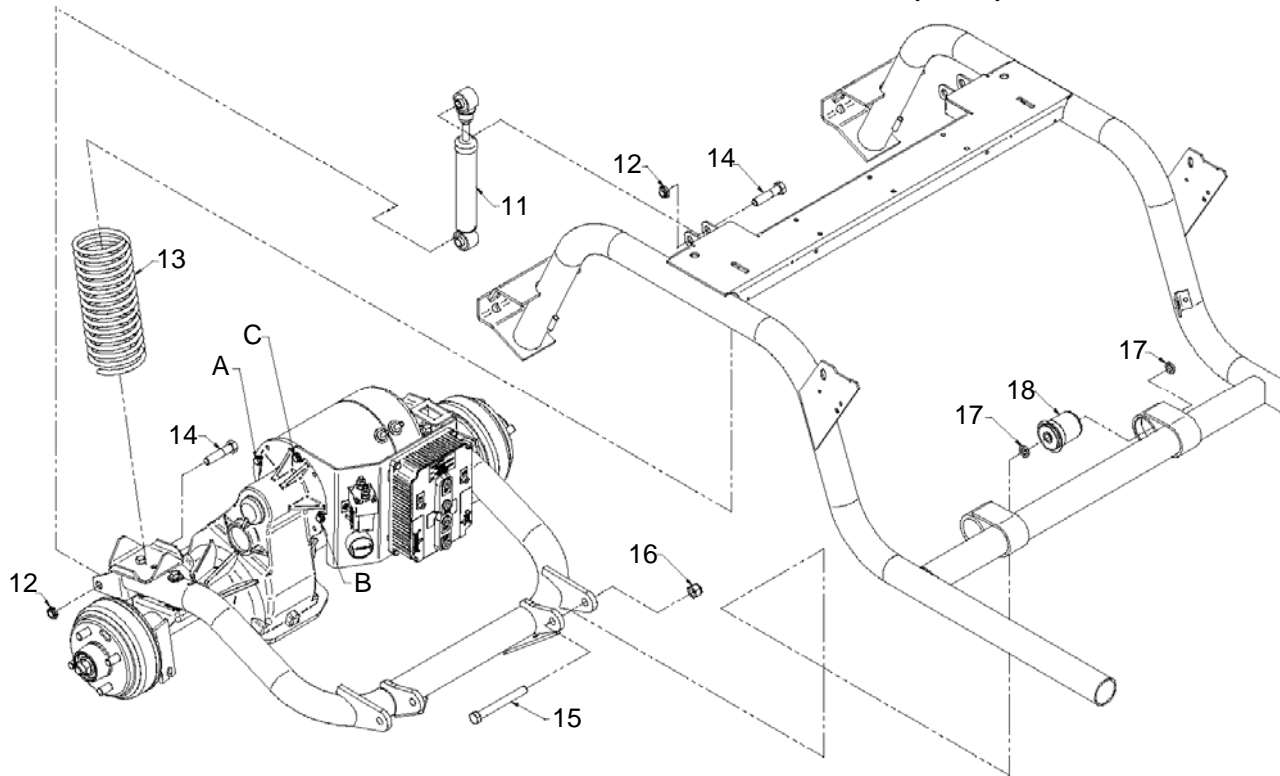
### **Rear Suspension, Axle and Motor**

# REAR SUSPENSION, AXLE AND MOTOR – C6





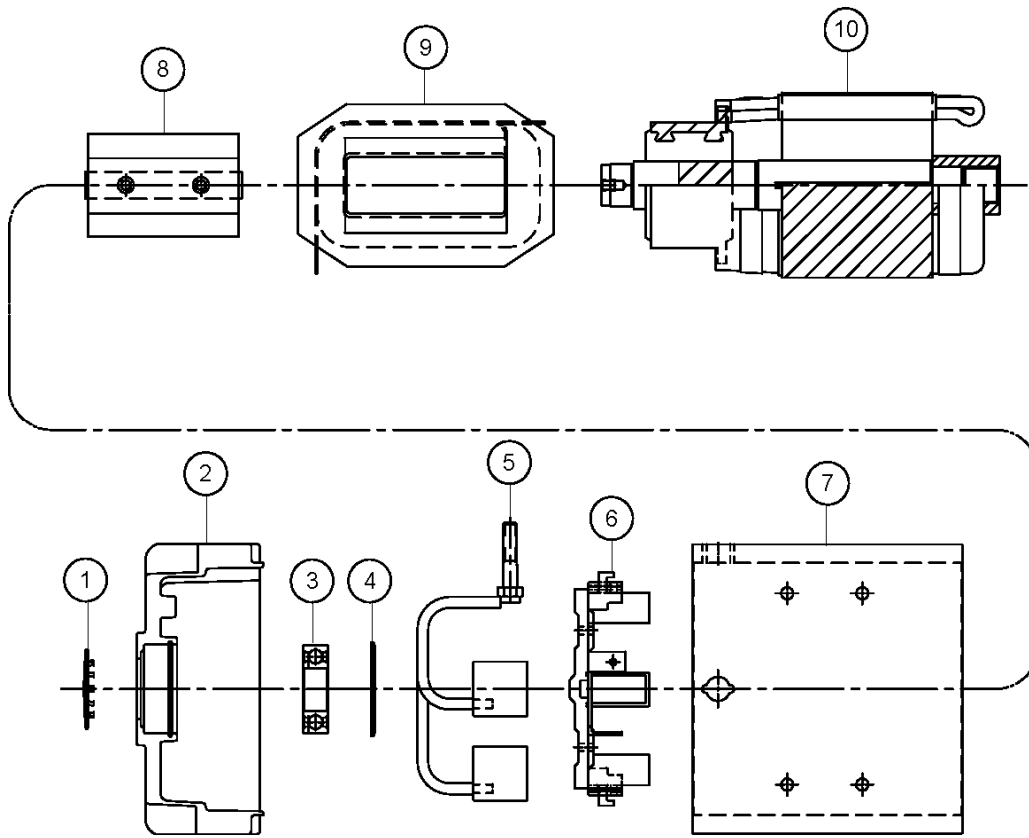
## REAR SUSPENSION, AXLE AND MOTOR – C6 (Cont.)



Loosely tighten screws (Item # 3 A & B. Loosely tighten screw C to draw face of motor up to flange on axle evenly. Torque A & B to 100 ft. lbs. then torque C to 100 ft. lbs.

ITEM	CPC P/N	DESCRIPTION	QTY	SEATS P/N
1	47039-89	REAR FORK,	1	308381
2	4434-W	SCREW, 3/8-24X 31/4, HHCS, (Torque to 35 ft.lbs.)	4	719687
3	708616	SCREW, 1/4-20X1 1/4, (See above note for torque)	3	708616
4	7036-B	WASHER, 1/4, REGULAR SPRING LOCK	3	719834
5	6703-B	WASHER, 1/4, SAE FLT STL	3	719811
6	11423	RESILIENT BUMPER-ELEC MOTOR	1	709050
7	69300-03	MOTOR, ELEC 48V SEP EX, STD DUTY	1	719135
8	82652-02A	AXLE, 12.44 MECH. BRAKE	1	760381
8A	82821-04A	AXLE, HYD BRAKE, 10.35	1	760368
9	7775	NUT, 3/8-24, NYLOC, GR A	4	719900
10	43740-04	WHEEL SPACER .134 THK 4 BOLT (Only used with standard duty axle with 12" or greater wheels)	2	509958PL
11	54514-89	SHOCK ABSORBER	2	709006
12	7685	NUT, 1/2-13, NTE NYLOC, GR A	4	719878
13	54569-92	SPRING, REAR COIL	2	709380
14	3407	SCREW, 1/2-13X2 1/4, HHCS (Torque to 45 ft. lbs.)	4	719611
15	4004	SCREW, 1/2-20X4 1/2, HHCS, (Torque to 45 ft. lbs.)	2	719647
16	7778	NUT, 3/8-16, NYLOC, GR A	2	719902
17	6568-B	WASHER, .515 X .812 X .134, FLT STL	4	719802
18	47524-66	BUSHING, REAR FORK	2	709024

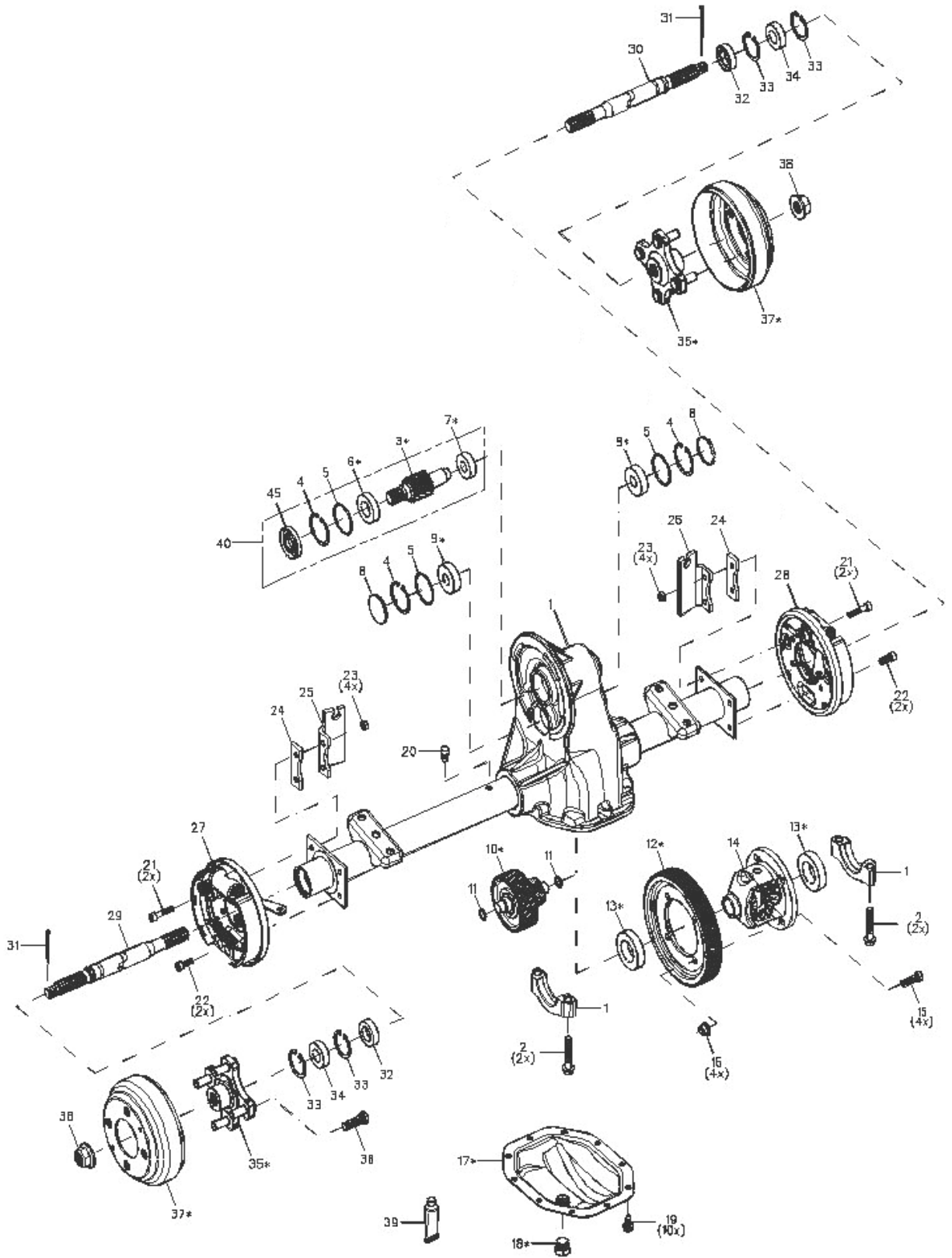
## MOTOR – C6



ITEM	CPC P/N	DESCRIPTION	QTY	SEATS P/N
1	*	HOLE PLUG		N/A
2	*	COMMUTATOR END HEAD (Includes Fasteners)	1	N/A
3	83310-07	BEARING	1	759896
4	*	RETAINING RING	1	N/A
5	30402-06	BRUSH ASSY. (Includes Fasteners)	2	759780
6	30403-06	BRUSH BOX ASSY. (Includes Fasteners)	1	759781
7	*	MOTOR FRAME	1	N/A
8	*	POLE SHOE ASSY. (Includes Fasteners)	4	N/A
9	*	SHUNT COIL ASSY. (Includes Fasteners)	1	N/A
10	*	ARMATURE ASSY.	1	N/A
N/A	69300-03	MOTOR, COMPLETE (INCLUDES ITEMS 1-10)	1	719135

\* SPECIAL ORDER

# AXLE - C6



\*ITEM INCLUDED IN A KIT

**AXLE – C8 (Cont.)**

ITEM	CPC P/N	DESCRIPTION	QTY	SEATS P/N
1	N/A	HOUSING, AXLE	1	N/A
2	N/A	BOLT, DIFFERENTIAL CAP (Included with Item 1)	4	N/A
3	N/A	SHAFT, INPUT (See gear set info)	1	N/A
4	90006-90	RING, SNAP	3	749701
5	11118	O-RING	3	729030
6	90003-90A	BEARING, BALL	1	760375
7	90004-90	BEARING, BALL	1	749699
8	N/A	PLUG, END CAP	2	N/A
9	82810-90	BEARING, BALL	2	749419
10	N/A	SHAFT, INTERMEDIATE GEAR	1	N/A
11	11119	O-RING	2	719132
12	N/A	GEAR, FINAL DRIVE (See gear set info)	1	N/A
13	90005-90	BEARING, BALL	2	749700
14	83212-00	DIFFERENTIAL ASSEMBLY	1	749575
15	N/A	SCREW, CAP	4	N/A
16	N/A	NUT, LOCK	4	N/A
17	90007-00	PLATE, COVER	1	749702
18	90008-00	PLUG, DRAIN/FILL	1	749704
19	N/A	SCREW, TAPPING	10	N/A
20	82701-90	VENT	1	759791
21	N/A	SCREW, FLANGE HEAD LONG	4	N/A
22	N/A	SCREW, FLANGE HEAD SHORT	4	N/A
23	7810	NUT, LOCK	8	719906
24	N/A	SPACER BRACKET	2	N/A
25*	47757-88	BRACKET, BRAKE CABLE (MECHANICAL BRAKES)	1	503969
25	47756-88	BRACKET, BRAKE CABLE (HYDRAULIC BRAKES)	1	503970
26*	47756-88	BRACKET, BRAKE CABLE (MECHANICAL BRAKES)	1	503970
26	47757-88	BRACKET, BRAKE CABLE (HYDRAULIC BRAKES)	1	503969
27*	41813-86B	ASSEMBLY, BRAKE, LH (MECHANICAL BRAKES)	1	709171
27	41813-02	ASSEMBLY, BRAKE, LH (HYDRAULIC BRAKES)	1	719137
28**	41814-86B	ASSEMBLY, BRAKE, RH (MECHANICAL BRAKES)	1	709170
28	41814-02	ASSEMBLY, BRAKE, RH (HYDRAULIC BRAKES)	1	719138
29	90001-90	SHAFT, AXLE, LH (LONG)	1	749696
30	90002-90	SHAFT, AXLE, RH (SHORT)	1	749698
31	560	PIN, COTTER	2	707337
32	82704-78	SEAL, OIL	2	749367
33	82706-78	RING, RETAINING	4	749370
34	82705-78	BEARING, BALL	2	749369
35	N/A	ASSEMBLY, HUB, WHEEL (Includes Item 36 & 47 See Item 44)	2	N/A

**AXLE – C6 (Cont.)**

<b>ITEM</b>	<b>CPC P/N</b>	<b>DESCRIPTION</b>	<b>QTY</b>	<b>SEATS P/N</b>
36	719463-05	BOLT, WHEEL (1.680" LONG)	8	719463
37	N/A	DRUM, BRAKE (See Item 44)	2	N/A
38	N/A	NUT, LOCKING 5/8-18 HEX FLANGE	2	N/A
39	N/A	SEALANT, ANAEROBIC	A/R	N/A
40*	N/A	KIT, INPUT GEAR (Includes Items 3-7 & 45 see gear info)	1	N/A
41*	N/A	KIT, GEAR (Includes Items 3, 10 & 12 see gear info)	1	N/A
42*	N/A	KIT, BEARING (Includes Items 6, 7, 9 & 13)	1	N/A
43*	N/A	KIT, COVER PLATE (Includes Items 17 & 18)	1	N/A
44*	41844-96	KIT, HUB/DRUM (Includes Items 35 & 37)	2	719281
45	83165-08	OIL SEAL – INPUT SHAFT	1	760371
46*	82772-06A	KIT, INPUT BEARING & O-RING (Includes Items 4 - 7 & 45 see gear info)	1	191697U
47*	N/A	HUB (See Item 44)	2	N/A

\* Not Shown

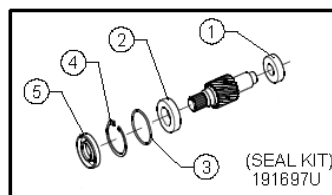
## GEAR SETS – C6

NOTE A:  
CAN BE USED FOR SERVICING 2008 & EARLIER AXLES  
WHEN REPLACEMENT GEARS NEEDED -  
ORDER NEW PINION SHAFT DESIGN COMPLETE ASM.

NOTE B:  
NEW SEAL LIP PINION &  
GEAR SET KIT NOW INCLUDES:  
- SEALING O-RINGS  
- END CAP PLUGS  
- BEARINGS

NOTE C:  
CAN ALSO SERVICE EARLIER AXLES

NOTE D:  
PINION SEAL KIT 191697U  
(CPC 82779-08)  
FOR USE ONLY WITH  
NEW PINION SHAFT DESIGN



SEE  
NOTE A

KIT (INCLS GEARS, PINION&SEAL KIT & COMPONENT PARTS)		
CPC PN	SI PN	GEAR RATIO
82773-08	191700U	10.35:1
82774-08	191701U	12.44:1
82775-08	191702U	14.76:1
82776-08	191703U	16.99:1

INTERMEDIATE & RING GEAR SET			INTERMEDIATE GEARS			RING GEAR		
SI PN	DANA PN	GEAR RATIO	DANA PN	NO. OF TEETH	QTY	DANA PN	NO. OF TEETH	QTY
760376	012KG112	10.35:1	012GZ156X	22 & 53	1	012GS395	116	1
760402	012KG114	12.44:1	012GZ134X	24 & 55	1	012GS284	114	1
760401	012KG115	14.76:1	012GZ146X	22 & 56	1	012GS323	116	1
760400	012KG113	16.99:1	012GZ150X	22 & 58	1	012GS323	116	1

SEE  
NOTE C

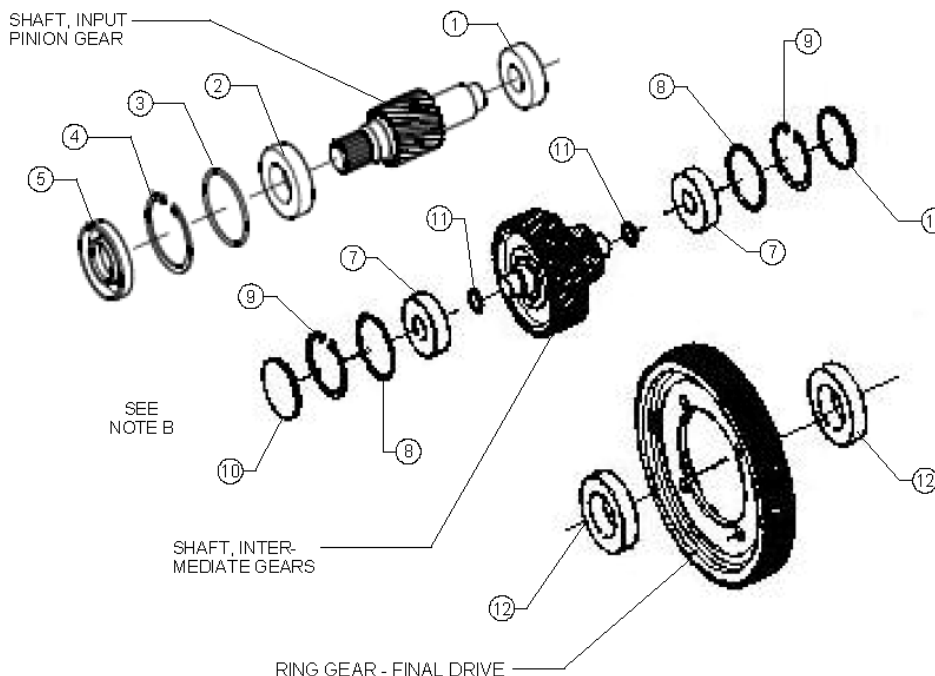
PINION & SEAL KIT (INCLUDES ITEMS IN SEAL KIT 191697U)					PINION GEAR			
CPC PN	SI PN	DESCRIPTION	DANA	QTY	GEAR RATIO	DANA PN	NO. OF TEETH	QTY
83218-08	760372	NEW LIP SEAL PINION KIT	012LK173	1	10.35:1	012GS392	27	1
83297-08	760373	NEW LIP SEAL PINION KIT	012LK174	1	12.44:1	012GS389	21	1
83214-08	760386	NEW LIP SEAL PINION KIT	012LK175	1	14.76:1	012GS390	20	1
83219-08	760374	NEW LIP SEAL PINION KIT	012LK177	1	16.99:1	012GS393	18	1

SEE  
NOTE D

PINION SEAL KIT 191697U / (CPC # 82779-08)				
QTY	CPC PN	SI PN	DESCRIPTION	DANA
1	90004-90	749699	BEARING, BALL, INNER	012HD104
2	90014-08	760375	BEARING, BALL, OUTER	012HD112
3	11118	729030	O-RING	012HH118
4	90006-90	749701	RING, SNAP	012HR101
5	83165-08	760371	OIL SEAL - INPUT SHAFT	012HH152
6*	N/A	N/A	INSTRUCTION SHEET	012TG135

\* ITEM NOT SHOWN

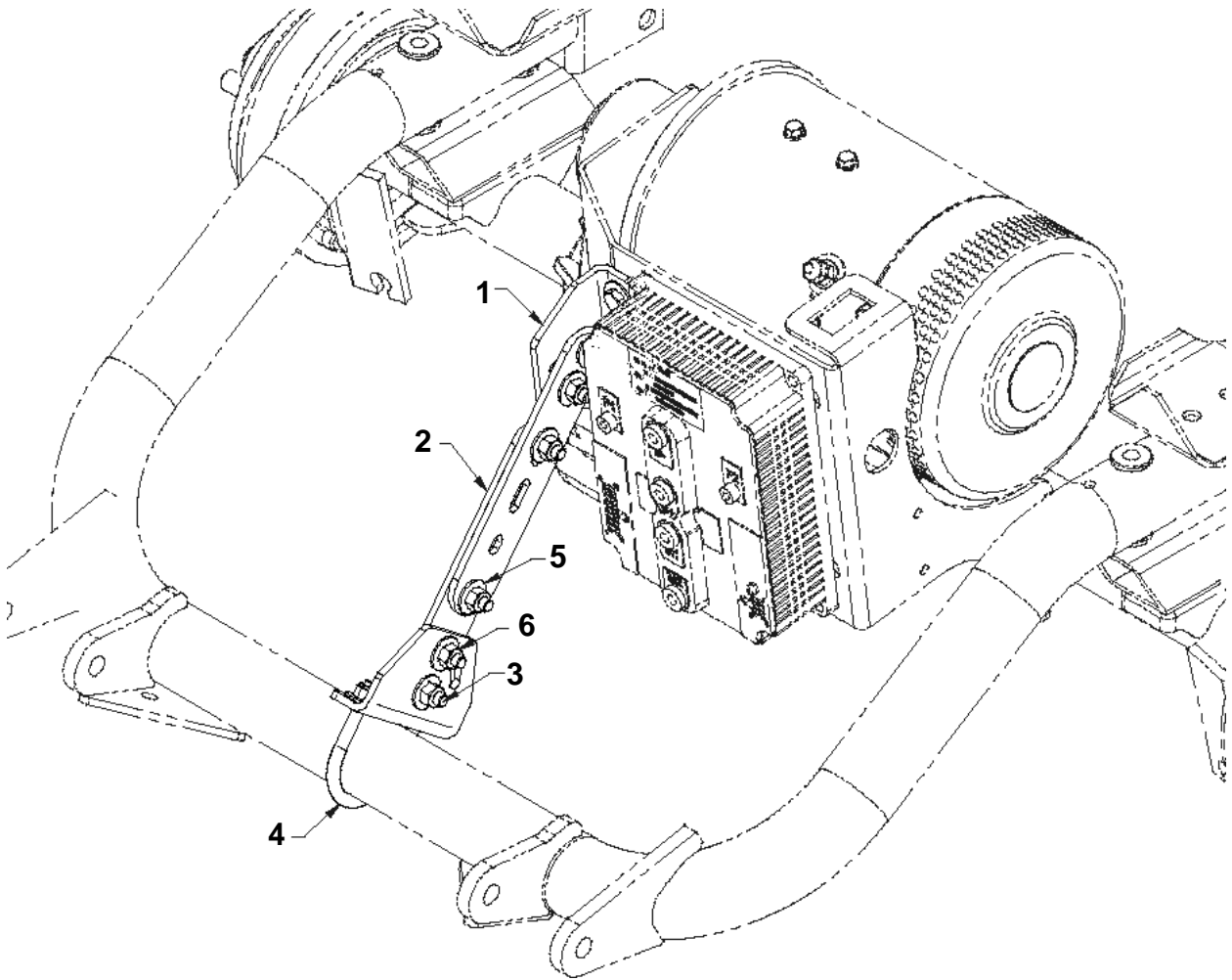
COMPONENTS FOR GEAR SET KIT (SEE KIT CHART)				
QTY	CPC PN	SI PN	DESCRIPTION	DANA
7	82810-90	749419	BEARING, BALL	012HD111
8	11118	729030	O-RING	012HH118
9	90006-90	749701	RING, SNAP	012HR101
10	82808-90	749418	PLUG, END CAP	012HG138
11	11119	719132	O-RING	012HH101
12	90005-90	749700	BEARING, BALL	585994



### AXLE BRACE KIT – C6

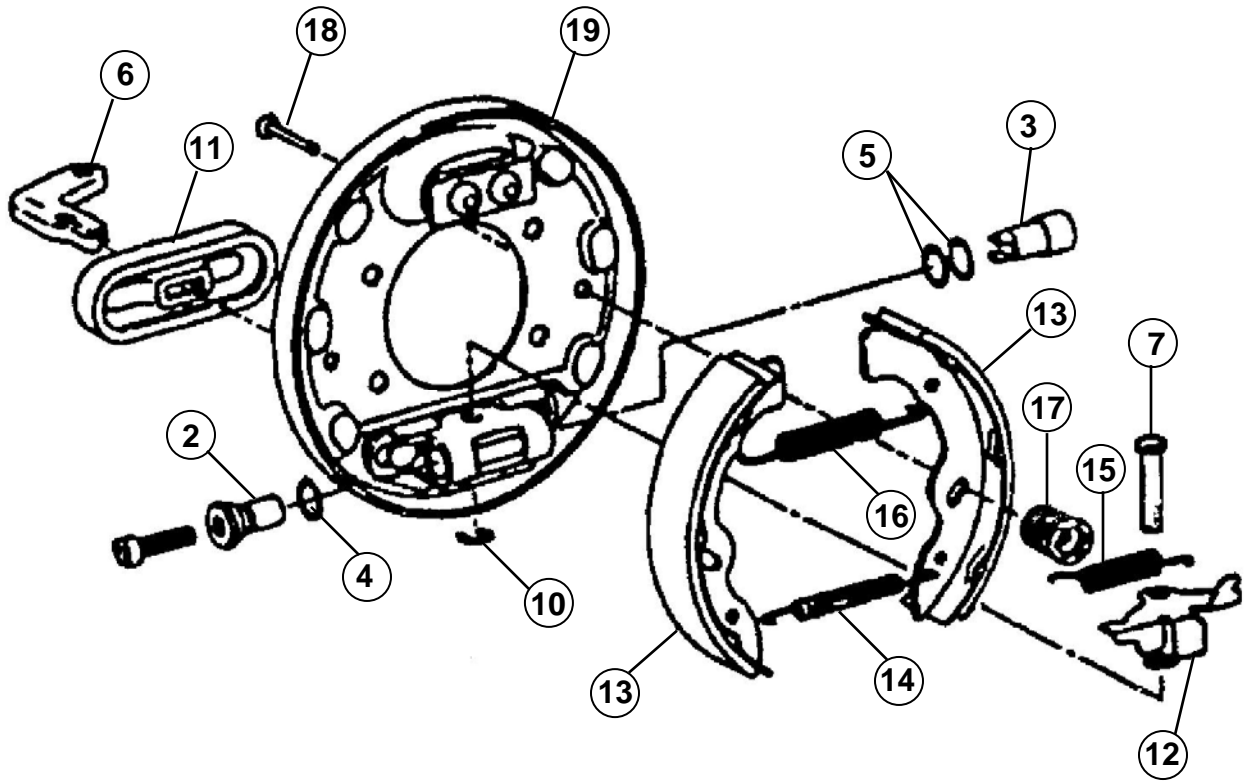
**NOTE: Only available as a kit. P/N 45310-10A. See Service Bulletin SB10-004A.**

ITEM	DESCRIPTION	QTY
1	BRACKET	2
2	STRAP	2
3	SCREW, 5/16-18X1 HHCS	8
4	U-BOLT, #014	1
5	WASHER, 5/16 USS/STD	18
6	NUT, 5/16-18 NYLOCK	10



MECHANICAL BRAKE ASSEMBLY – C6

(Left Hand Shown)



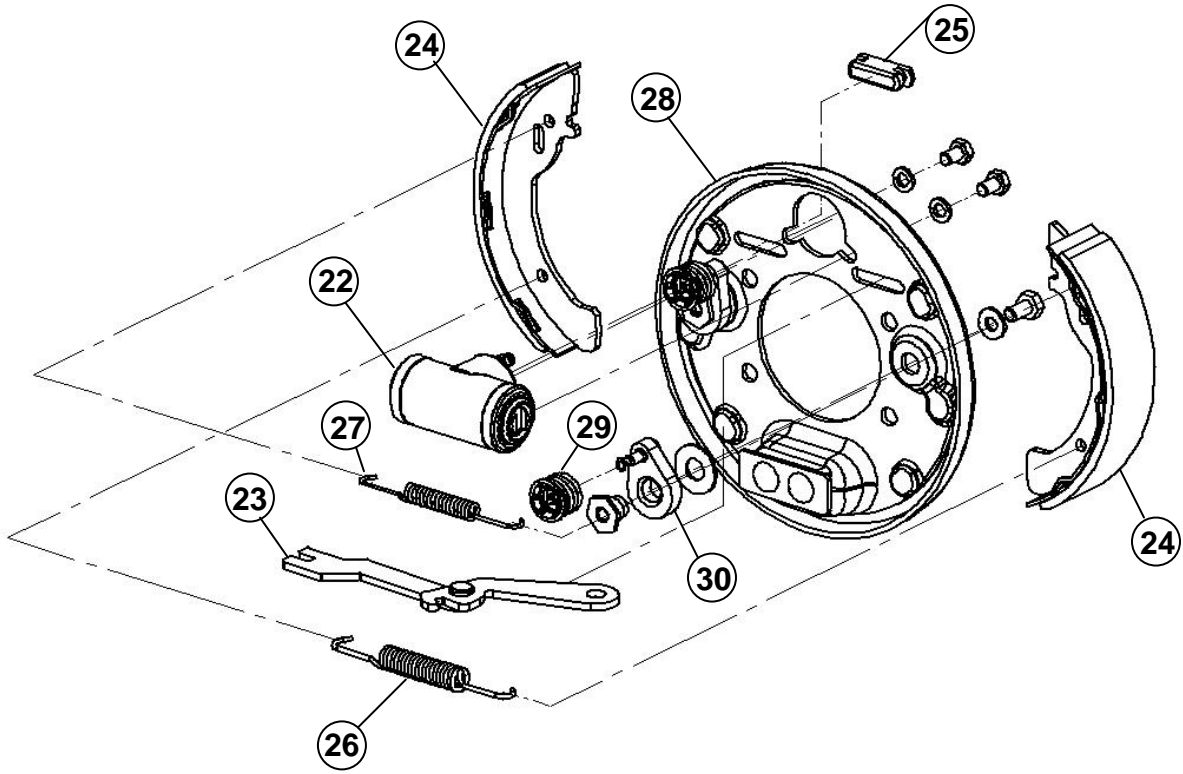


**MECHANICAL BRAKE ASSEMBLY – C6 (Cont.)**

<b>ITEM</b>	<b>CPC P/N</b>	<b>DESCRIPTION</b>	<b>QTY</b>	<b>SI P/N</b>
1	41813-86B	MECH. BRAKE ASSY, LH (Includes Items 2 -19)	1	709171
1A*	41814-86B	MECH. BRAKE ASSY, RH (Includes Items 2 -19)	1	709170
2	N/A	ADJUSTER, LH	1	N/A
2A*	N/A	ADJUSTER, RH	1	N/A
3	N/A	PUSH ROD	1	N/A
4	N/A	WASHER, FLAT	2	N/A
5	N/A	SHIM	A/R	N/A
6	N/A	LEVER, ACTUATOR	1	N/A
7	N/A	PIN, PIVOT	1	N/A
8*	N/A	WASHER, WAVE, ACTUATOR PIVOT	1	N/A
9*	N/A	WASHER, FLAT, ACTUATOR PIVOT	1	N/A
10	N/A	E-CLIP	1	N/A
11	N/A	PROTECTOR BOOT	1	N/A
12	N/A	SELF ADJUSTER, LH	1	N/A
12A*	N/A	SELF ADJUSTER, RH	1	N/A
13	41819-86C	SET, SHOE & LINING ASSEMBLY (2 Shoes)	1	759746
14	N/A	SPRING, RETURN (See Item 20.)	1	N/A
15	N/A	SPRING, SELF ADJUSTER (See Item 20.)	1	N/A
16	N/A	SPRING, SHOE RETAINING (See Item 20.)	1	N/A
17	N/A	SPRING CLIP, SHOE RETAINER (See Item 20.)	2	N/A
18	N/A	PIN, SHOE RETAINING (See Item 20.)	2	N/A
19	N/A	SHIELD, DUST	1	N/A
20*	41816-86B	KIT, SPRING (Includes Items 14-18)	1	729999
21*	42400-89B	BRAKE CABLE ASSEMBLY 48"	1	709091
22*	42401-89B	BRAKE CABLE ASSEMBLY 39"	1	709081

\* NOT SHOWN

**HYDRAULIC BRAKE ASSEMBLY – C6**  
**(Left Hand Shown)**



**HYDRAULIC BRAKE ASSEMBLY – C6 (Cont.)**

<b>ITEM</b>	<b>CPC P/N</b>	<b>DESCRIPTION</b>	<b>QTY</b>	<b>SI P/N</b>
21	41813-02	HYD. BRAKE ASSY, LH (Includes Items 22 -29)	1	719137
21A*	41814-02	HYD. BRAKE ASSY, RH (Includes Items 22 -29)	1	719138
22	41260-02	WHEEL CYLINDER, COMPLETE	1	759795
23	N/A	STRUT & LEVER ASSY LH	1	N/A
23A*	N/A	STRUT & LEVER ASSY RH	1	N/A
24	41818-05	KIT, SHOE & LINING ASSY, 160 mm (4 Shoes)	1	759740
25	N/A	COVER, PARK BRAKE LEVER	1	N/A
26	N/A	SPRING, SHOE RETURN (See Item 32)	1	N/A
277	N/A	SPRING, SHOE RETAINING (See Item 32)	1	N/A
28	N/A	SHIELD, DUST (See Items 21 or 21A.)	1	N/A
29	N/A	SPRING CLIP, SHOE RETAINING (See Items 31 or 32.)	1	N/A
30	N/A	ADJUSTER (See Items 31 or 32.)	1	N/A
31*	N/A	KIT HARDWARE. (Includes items 25, 26, 28, & 29 – Services two brake assemblies.)	1	N/A
32*	41732-07	KIT, ADJUSTER (Includes items 28, 29 & installation hardware. Services two brake assemblies.)	1	759796
33*	41860-06	BRAKE CABLE 69"	2	719209

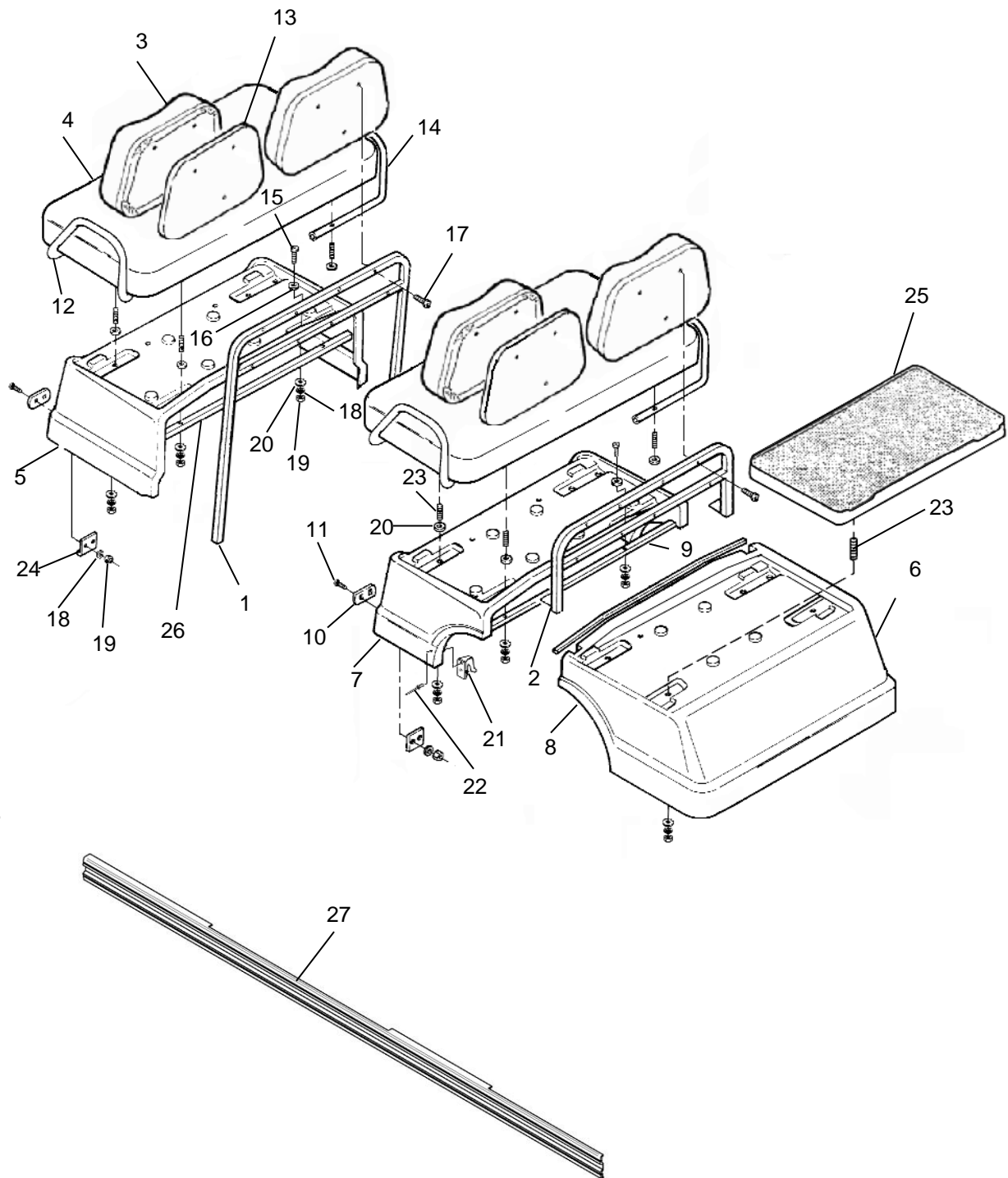
\* NOT SHOWN

# **Shuttle Parts Manual**

## **Section 4**

### **Body, Seating and Console Instrumentation**

# BODY BENCH - C6



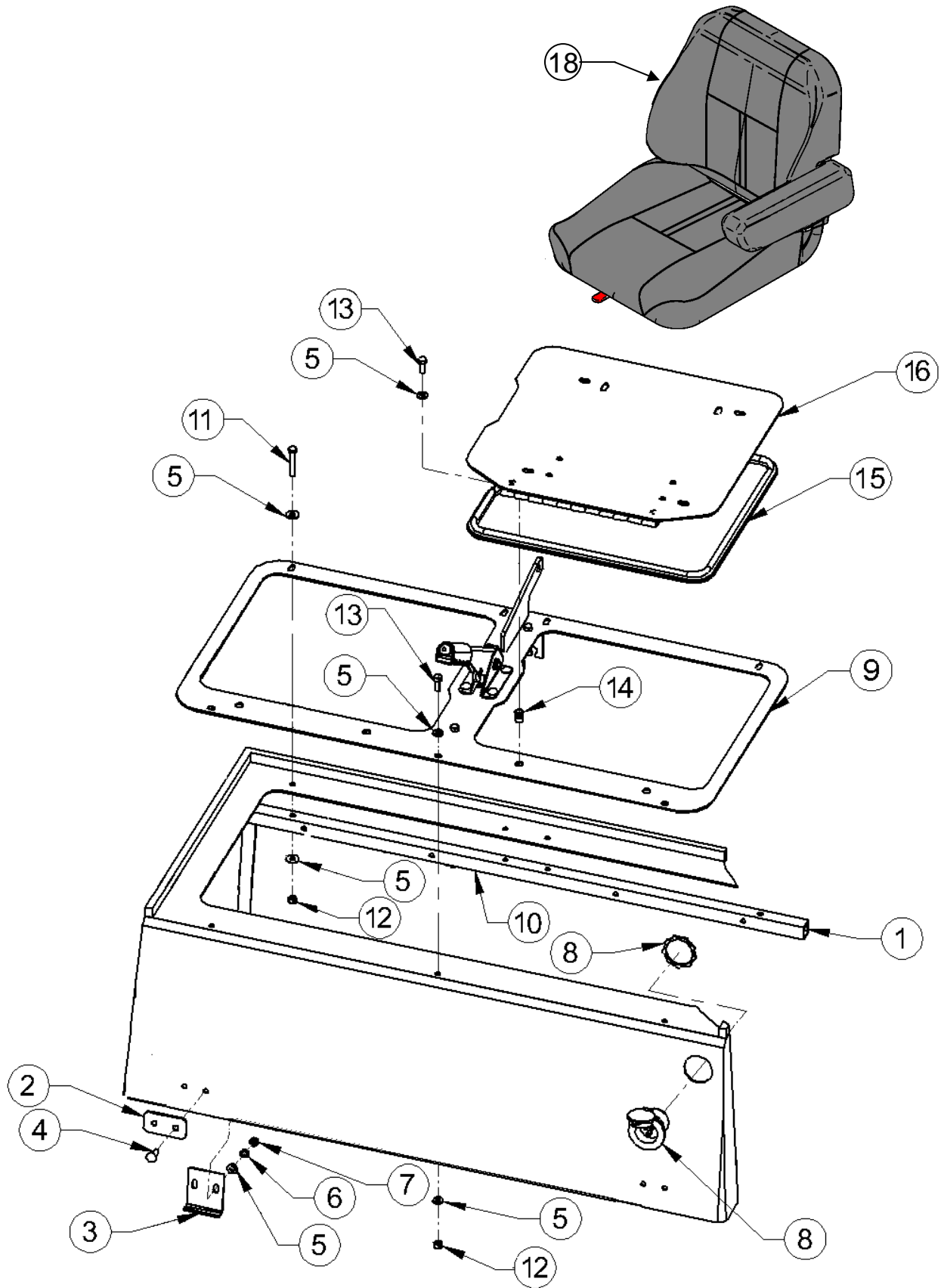
**BODY BENCH – C6 (Cont.)**

ITEM	CPC P/N	DESCRIPTION	QTY	SEATS P/N
1	51501-98	FRAME, FRONT BACKREST	1	304275
2	50503-98	FRAME, BACK BACKREST	1	304303
3	52001-96	CUSHION, SEAT BACK (See Note)	4	304216%
4	52004-96	CUSHION, SEAT BOTTOM (See Note)	2	304212%
3A*	52018-04	CUSHION, SEAT BACK NEV4 REAR SEAT (See Note)	4	307597%
4A*	52019-04	CUSHION, SEAT BOTTOM NEV4 REAR SEAT (See Note)	2	307598%
5	50160-91	FRONT MID-BODY	1	467050
6	50590-03	REAR DECK BODY	1	467184
7	50106-08	REAR MID-BODY	1	467185
8	29284-04	WHEEL WELL TRIM (Trim to length")	5.5'	719355
9	N/A	SEAT SUPPORT	1	303048
10	50203-89	HINGE FRONT	4	510217
11	5400-BS	SCREW, 5/16-18X1 CARR G5	8	719744
12	84922-00	HANDRAIL, LH	2	510376
13	52948-96	SEAT CUSHION BACK	4	709025
14	84923-00	HANDRAIL, RH	2	510377
15	57111-11	SCREW, 5/16-18X1 1/2 HHCS, G8	4	781924
16	6702-B	WASHER, 5/16	4	719810
17	2001-BS	SCREW, 1/4-20X2 OVAL HEAD	12	719541
18	7041-B	WASHER, 5/16 SPLIT	28	719838
19	7748-B	NUT, 5/16-18 NYLOCK	28	719892
20	6000-B	WASHER, 5/16 USS/STD	28	719771
21	50308-91	BODY GUIDE HDPE	2	709016
22	8212	RIVET, #610, 3/16 AL, DH, BLIND	4	719931
23	52109-87	STUD, 5/16-24X2 1/4 DBL-END	8	719733
24	50271-89A	FRONT HINGE BRACKET	4	510128
25	15151-06	REAR DECK, MOLDED W/INSERT	1	759826
26	51503-01	SEAT SUPPORT	1	508991
27	50455-92	SIDE EXTRUSION LH	1	462906
28*	50456-92	SIDE EXTRUSION RH	1	462907
29*	50501-98	BODY REINFORCEMENT	4	510418
30*	51012-04	TAB, SUPPORT MID-BODY	4	510127
31	29284-04	MOLDING, BLACK (Services both sides)	5.5'	719355

\* NOT SHOWN

NOTE: Specify VIN to insure proper color.

# BODY BUCKET SEATS – C6



**BODY BUCKET SEATS – C6 Cont.**

ITEM	CPC P/N	DESCRIPTION	QTY	SEATS P/N
1	50105-04	MID BODY, BUCKET	1	467167
2	50203-89	FRONT HINGE	4	510217
3	50271-89A	FRONT HINGE BRACKET	4	510128
4	5400-BS	BOLT, 5/16-18 X 1, CARRIAGE, GR 5	8	719744
5	6702-B	WASHER, 5/16, SAE FLAT	34	719810
6	7041-B	WASHER, 5/16", SAE SPRING LOCK	4	719838
7	7748-B	NUT, 5/16-24, HEX, FULL, GR 2	4	719896
8	70036-05	CHARGER CORD W/RECEPTICLE ASSEMBLY	1	467405
*	66493-67A	EXTENSION CORD	1	709890
*	66100-10	EXTENSION CORD W/GFCI	1	760620
9	39805-08	SEAT BASE W/HANDBRAKE	1	467576
*	**	SEAT BASE W COVER – MECHANICAL BRAKES	1	467575
10	51502-04	SUPPORT, SEAT	1	509703
11	3419	SCREW, 5/16-18 X 2 1/4, GR 5, HHCS	4	719616
12	7739	NUT, 5/16-18, NE NYLOC, GR A	13	719892
13	3991	SCREW, 5/16-18 X 7/8, HHCS, GR 5	7	719643
14	8206	THREADED INSERT, 5/16-18	4	719929
15	84085-ZZ	TRIM SEAL, .06 X .38, CUT TO 61"	2	709206
16	39801-04	WELDMENT, SEAT PIVOT -LH	1	307529EP
17*	39802-04	WELDMENT, SEAT PIVOT -RH	1	307528EP
18*	52911-04LH	DELUXE BUCKET SEAT, LEFT ARMREST ONLY NEV4 (Various colors – see Note)	1	N/A
18A*	52912-04RH	DELUXE BUCKET SEAT, RIGHT ARMREST ONLY NEV4 (Various colors – see Note)	1	N/A

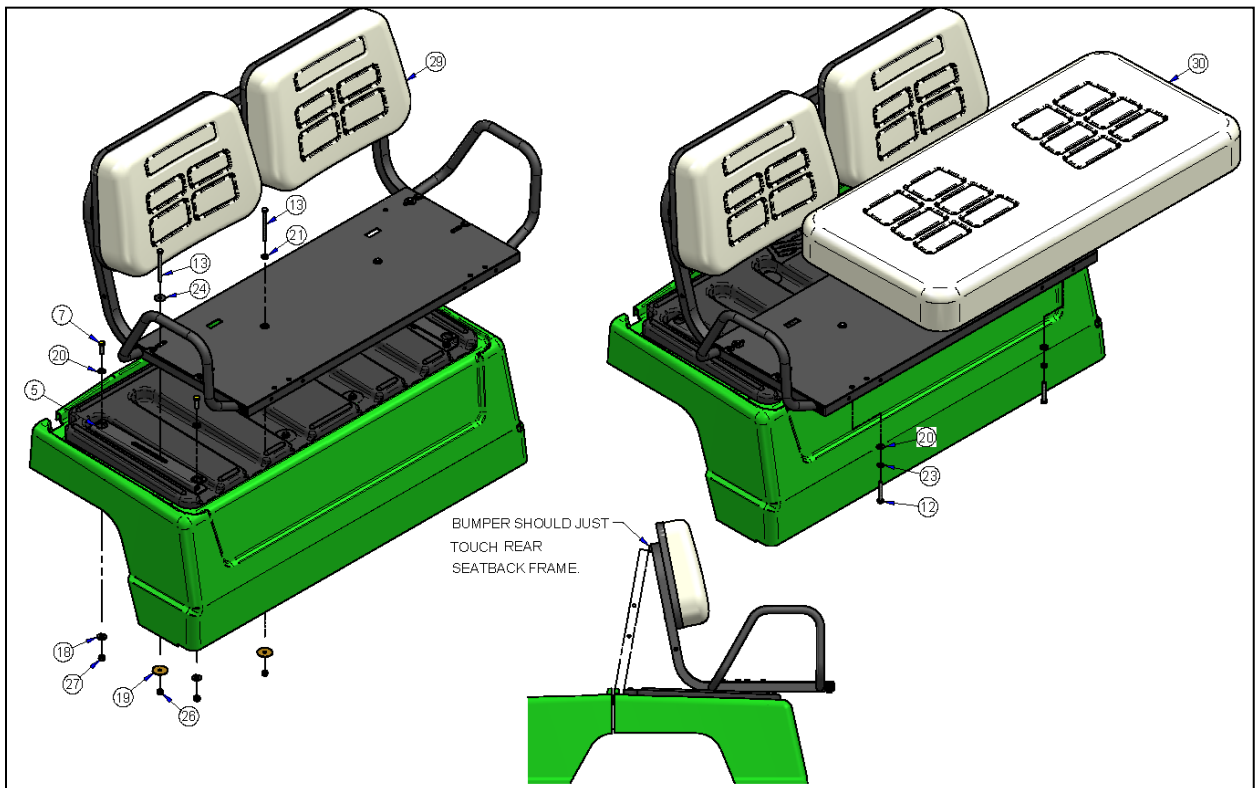
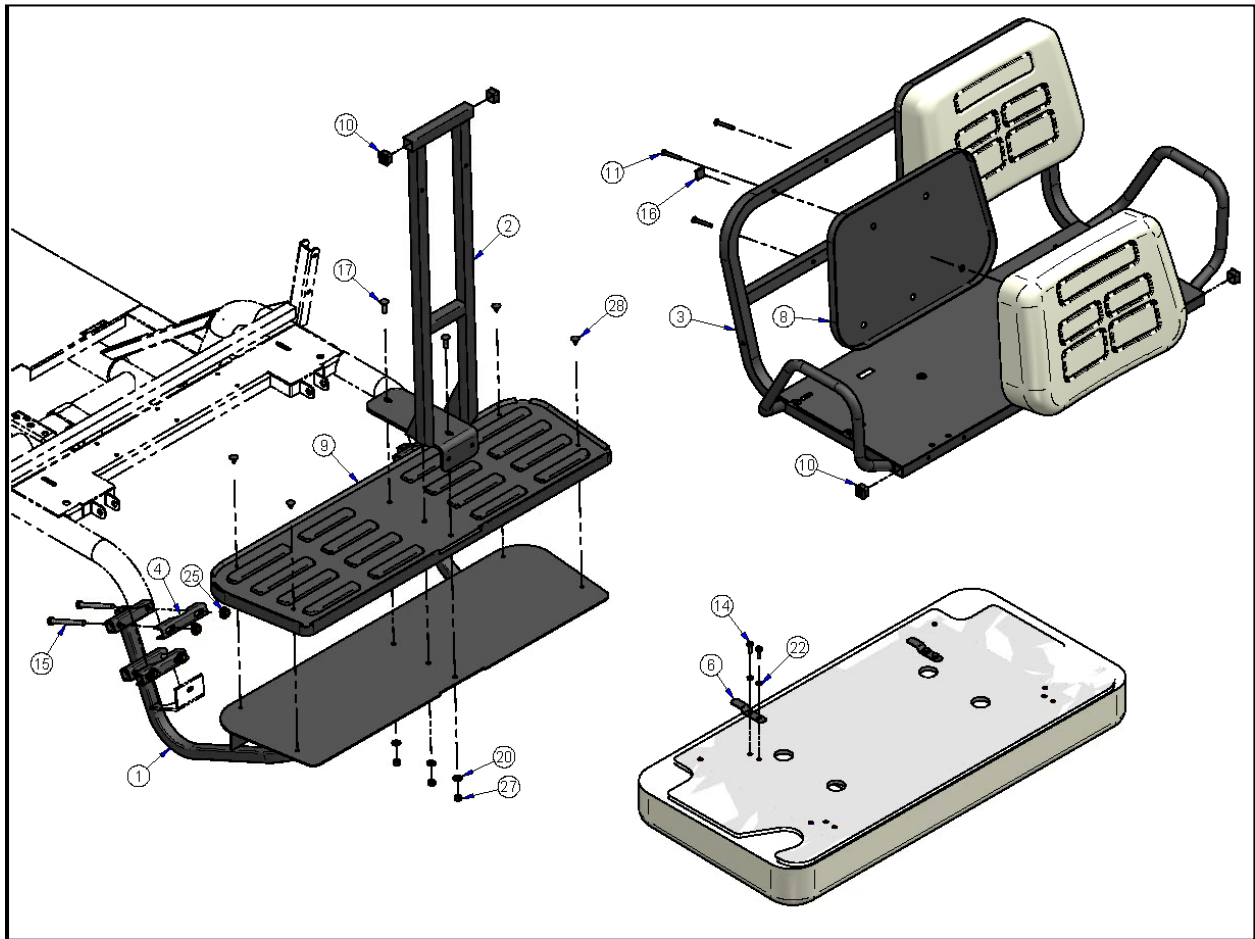
\* NOT SHOWN

\*\* SPECIAL ORDER

NOTE: Include VIN to insure correct color.



# REAR FACING SEAT – C6

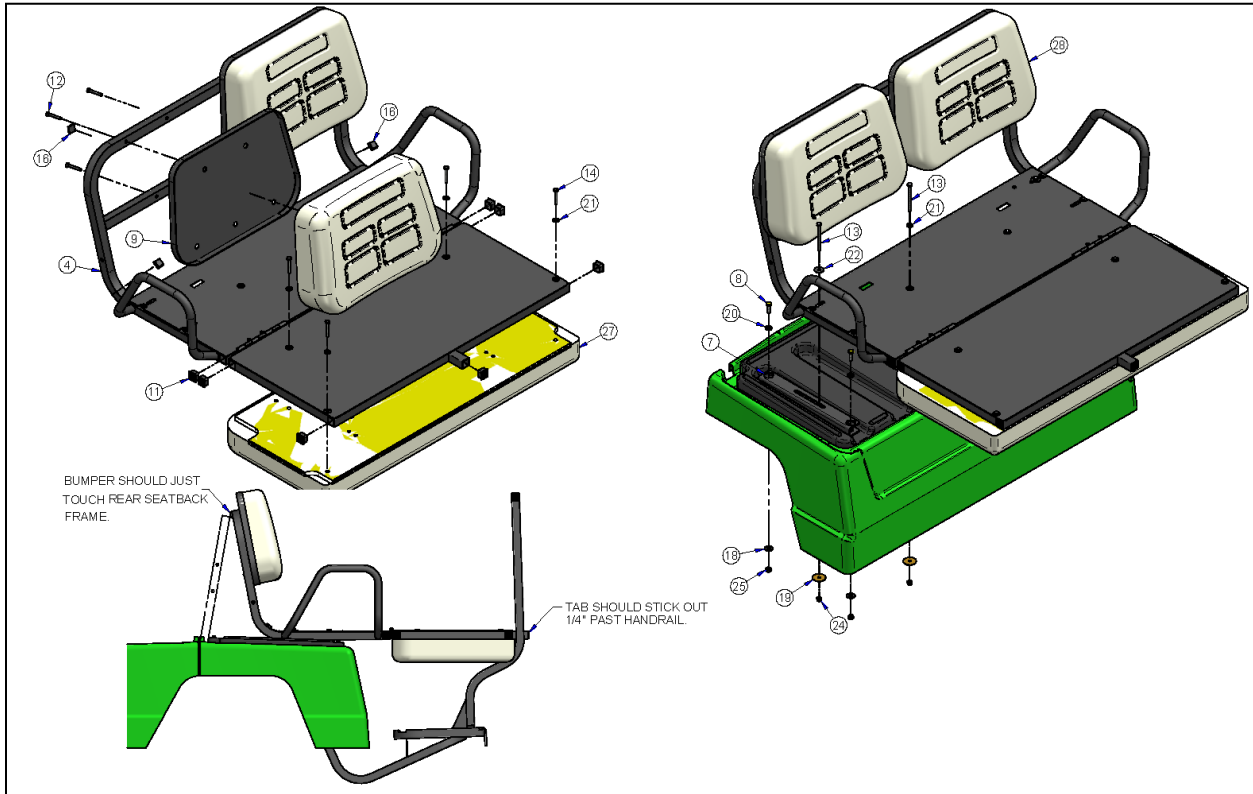
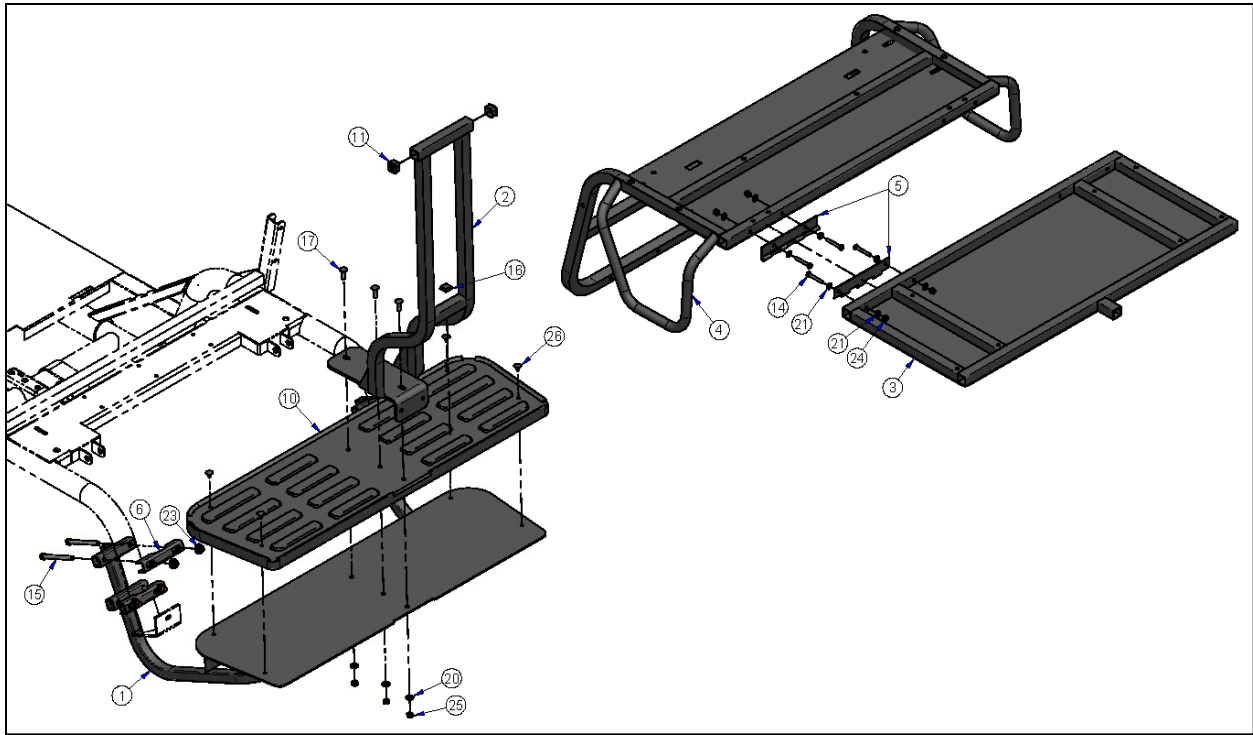


**REAR FACING SEAT – C6 Cont.**

<b>ITEM</b>	<b>CPC P/N</b>	<b>DESCRIPTION</b>	<b>QTY</b>	<b>SEATS P/N</b>
1	91534-91A	FOOTREST	1	302680
2	84926-07	HANDRAIL	1	308292EP
3	51505-07	CARGO SEAT FRAME	1	308294EP
4	47105-91	CLAMP	4	510186
5	51508-07	SUPPORT RAIL	2	511652
6	51509-07	TAB, BOTTOM CUSHION	2	511664
7	4017	SCREW, 5/16-18X1 HHC G8	4	708085
8	52948-96	COVER, SEAT BACK	2	709025
9	52970-96	COVER, FOOTREST	1	709584
10	11433	CAPLUG	4	719526
11	2001-BS	SCREW, 1/4-20X2 PCH	6	719541
12	2667	SCREW, 5/16-18X2 HHC G5	2	719585
13	3413	SCREW, 1/4-20X1 3 1/4 HHC	4	719614
14	3787-B	SCREW, 1/4-20X3/4 HHC	4	719636
15	4721	SCREW, 3/8-16X4 HHC	8	719697
16	52330-86	BUMPER, BLACK	2	719738
17	5400-BS	SCREW, 5/16-18X1 CARR	3	719744
18	6000-B	WASHER 5/16	4	719771
19	6257-W	WASHER, .28X1.375X.05	4	719787
20	6702-B	WASHER, 5/16 BLK	9	719810
21	6703-B	WASHER 1/4 BLK	2	719811
22	7036-B	WASHER 1/4 BLK LOCK	4	719834
23	7041-B	WASHER 5/16. SPRING LOCK	2	719838
24	7266	WASHER 1/4X1	2	719856
25	7512	NUT 3/8-16 SERRATED	8	719860
26	7686	NUT, 1/4-20 NYLOCK	4	719879
27	7739	NUT, 5/16-18 NYLOCK	7	719892
28	8200	FASTENER	4	719926
29	52004-96	CUSHION, SEAT BOTTOM (See Note)	1	304212%
30	52001-96	CUSHION, SEAT BACK (See Note)	2	304216%
N/A	52111-96A	KIT, REAR FACING SEAT	1	190998U

NOTE: Specify VIN to insure proper color.

# CARGO REAR FACING SEAT – C6



**CARGO REAR FACING SEAT – C6 Cont.**

ITEM	CPC P/N	DESCRIPTION	QTY	SEATS P/N
1	91534-91A	FOOTREST	1	302680
2	84927-07	HANDRAIL	1	308291EP
3	52927-07	FOLDING DECK	1	308293EP
4	51505-07	CARGO SEAT FRAME	1	308294EP
5	52918-07	CARGO SEAT HINGE	2	308737PL
6	47105-91	CLAMP	4	510186
7	51508-07	SUPPORT RAIL	2	511652
8	4017	SCREW, 5/16-18X1 HHC G8	4	708085
9	52948-96	COVER, SEAT BACK	2	709025
10	52970-96	COVER, FOOTREST	1	709584
11	11433	CAPLUG	9	719526
12	2001-BS	SCREW, 1/4-20X2 PCH	6	719541
13	3413	SCREW, 1/4-20X1 3 1/4 HHC	4	719614
14	3454-BS	SCREW, 1/4-20X1 3/4 HHC	12	719623
15	4721	SCREW, 3/8-16X4 HHC	8	719697
16	52330-86	BUMPER, BLACK	5	719738
17	5400-BS	SCREW, 5/16-18X1 CARR	3	719744
18	6000-B	WASHER 5/16	4	719771
19	6257-W	WASHER, .28X1.375X.05	4	719787
20	6702-B	WASHER, 5/16 BLK	7	719810
21	6703-B	WASHER 1/4 BLK	22	719811
22	7266	WASHER 1/4X1	2	719856
23	7512	NUT 3/8-16 SERRATED	8	719860
24	7686	NUT, 1/4-20 NYLOCK	12	719879
25	7739	NUT, 5/16-18 NYLOCK	7	719892
26	8200	FASTENER	4	719926
27	52004-96	CUSHION, SEAT BOTTOM (See Note 1)	1	304212%
28	52001-96	CUSHION, SEAT BACK (See Note 1)	2	304216%
N/A	52959-07	KIT, CARGO REAR FACING SEAT	1	191406U

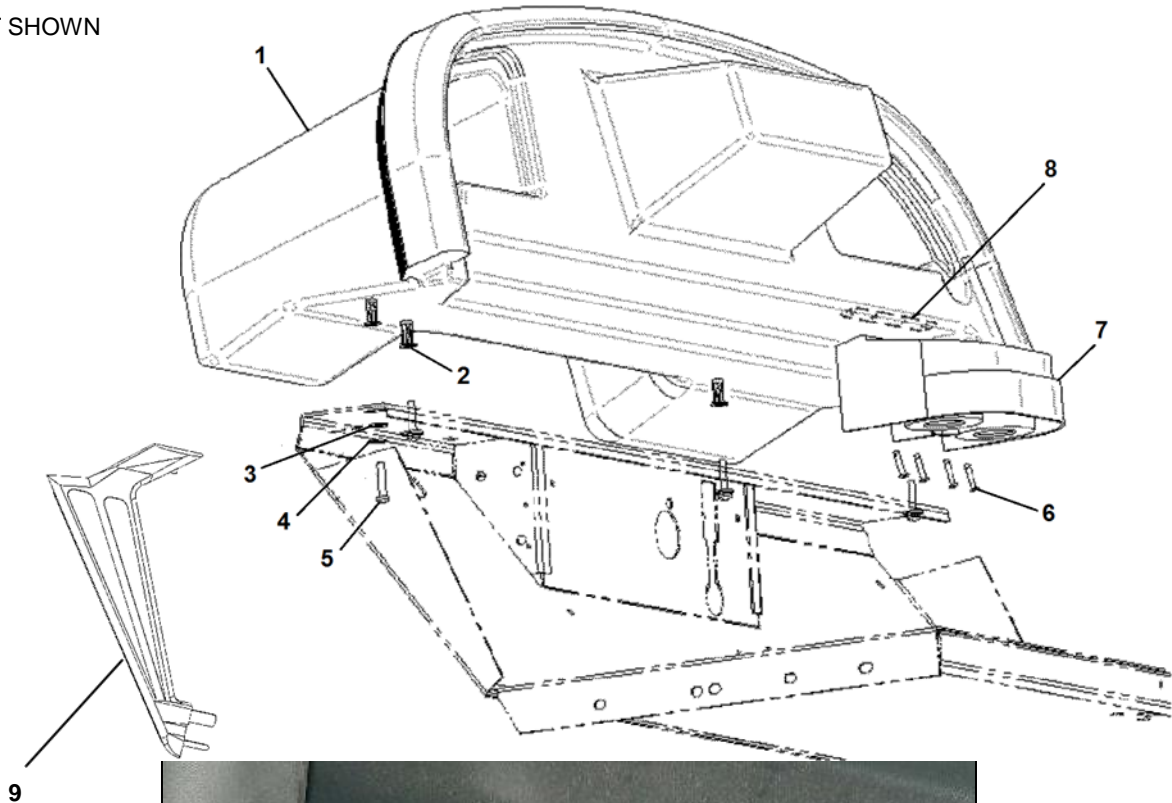
**NOTE:**

1. Include VIN to insure correct color.
2. Vehicle must have inner rear springs installed (CPC P/N 54570-93).

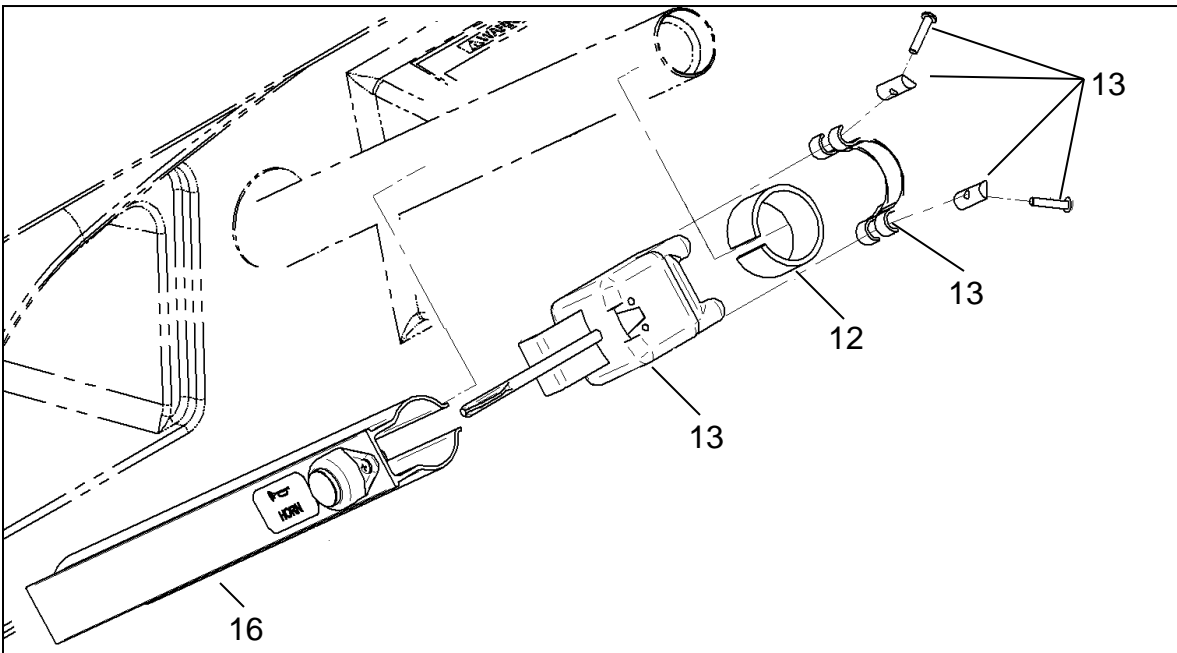
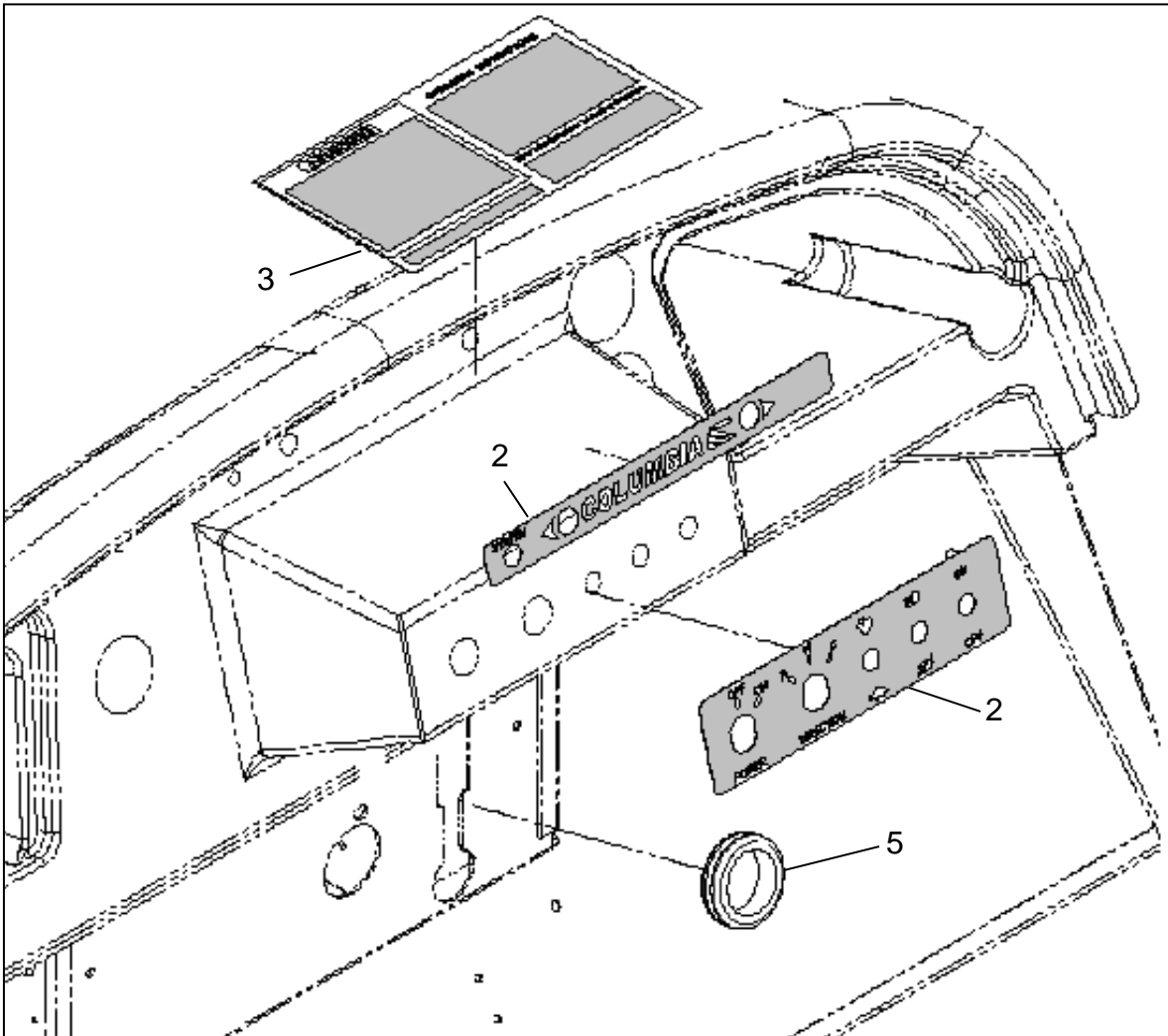
## CONSOLE – C6

ITEM	CPC P/N	DESCRIPTION	QTY	SEATS P/N
1	82996-07	FRONT CONSOLE (Drilled, includes Items 2, 6 - 8, 14 – 16))	1	467507
2	50190-86	NUT, JACK, 1/4-20	4	719717
3	6702-B	WASHER 5/16 FLT STL	4	719810
4	7036-B	WASHER 1/4, LOCK	4	719834
5	2602	SCREW, 1/4-20X1 1/4 PPH	4	719569
6	8308	RIVET, BLIND 3/16 AL, BH #10	4-8	782117
7	31412-07	CUP HOLDER, DUAL	1-2	759871
8	16236-07	STRAP, CUP HOLDER	1-2	512029
9	50087-96	SIDE PANEL, LH (Attach using Items 11, 12 & 13)	1	709062
10*	50088-96	SIDE PANEL, RH (Attach using Items 11, 12 & 13)	1	709063
11	2653-B	SCREW, #10-16X3/4, HWH, TEK	6	719583
12	6716	WASHER, #10, SAE	6	719812
13	1787	SCREW, #14-15X3/4 PPH	2	719540
14	33794-08	DECAL, DASH (Shown on Page 4-10)	1	712084
15	11418-A	GROMMET (Shown on Page 4-10)	1	719523
16	50197-96	FRONT CONSOLE (Not drilled)	1	759866

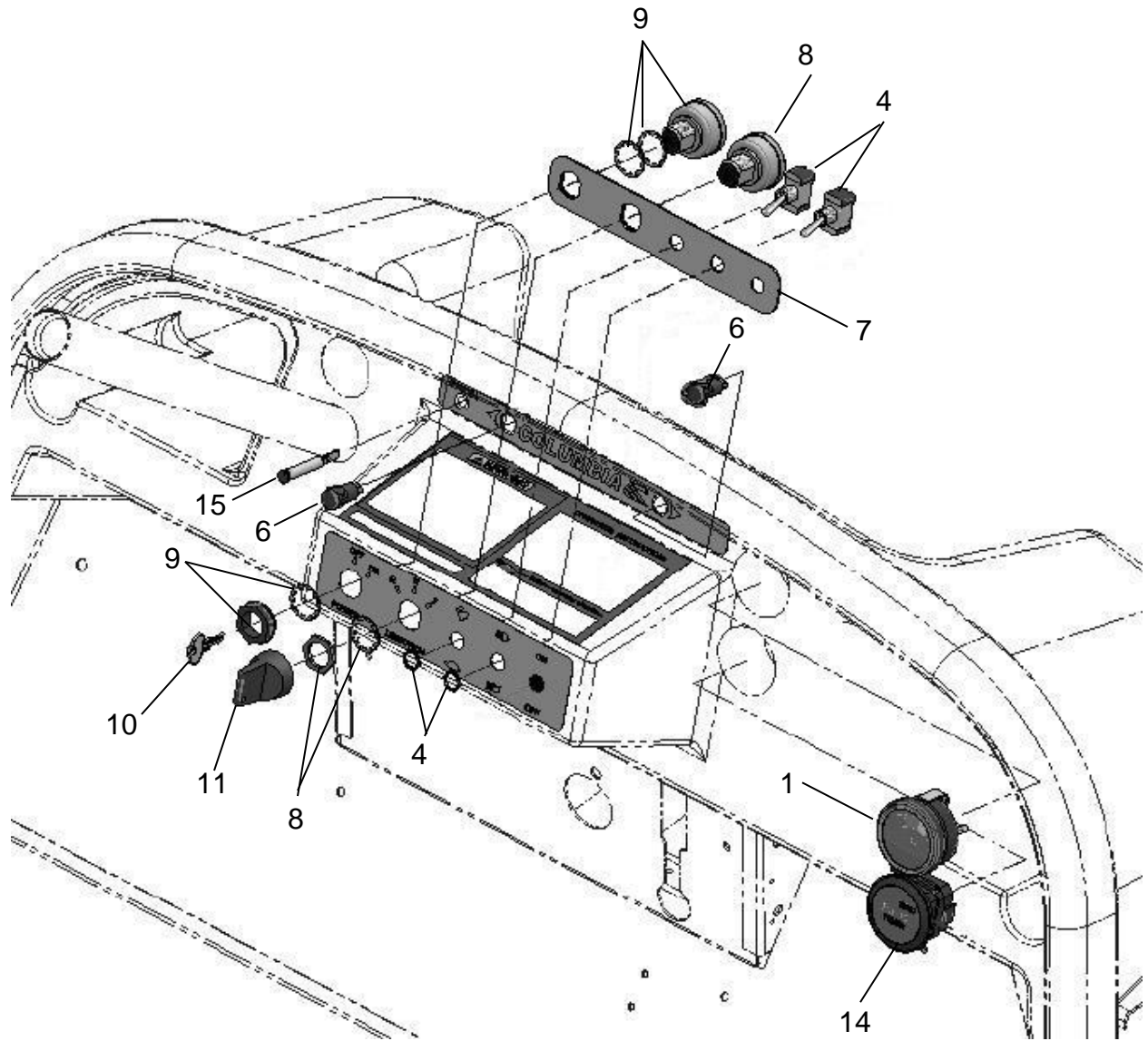
\* NOT SHOWN



DASH - C6



DASH - C6 (Cont.)



**DASH – C6 (Cont.)**

ITEM	CPC P/N	DESCRIPTION	QTY	SEATS P/N
1	75061-07	BDI METER, 48V	1	759842
1A	75062-07	BDI METER, 36V	1	759874
2	33794-08	DASH OVERLAY SET -ELECTRIC VEHICLE	1	712084
3	43960-07	DECAL, WARNING/OP INST, ELECT	1	712055
4	72000-10	SWITCH, TOGGLE, ON/OFF	2	760600
5	11418-A	GROMMET, 2775 EPDM, 3/16 GROOVE	1	719523
6	67790-00	LIGHT, TURN SIGNAL DASH INDICATOR	2	709111
7	71740-08	PLATE, SWITCH RETAINER	1	513254
8	71730-01	DIRECTIONAL KEYSWITCH	1	709040
9	71732-06	POWER KEYSWITCH	1	759706
10	71731-01	KEYSET, UNIV. 2 KEYS W/RING	1	749184
11	71767-05	ASSY, KEY, NON-REMOVABLE, W/COVER	1	719432
12	49713-08	FOAM TAPE, 1/8" T X 1" W X 4.88" L	1	709783
13	71426-02	TURN SIGNAL ASSEMBLY	1	464193
14	75033-91A	HOUR METER 10-80 VOLT DC	1	709452
15	67791-08	SYSTEM STATUS LIGHT	1	759932
16	56903-10	ASM, HORN EXTRUSION	1	467347
*	50635-00	COLUMN COVER. (Included W/Item 16)	1	462975
*	71808-00	HORN SWITCH (Included W/Item 16)	1	709176
*	2612-B	SCREW #8-32X1/2 (Included W/Item 16)	2	719571
*	7609-W	NUT 8-32 (Included W/Item 16)	2	719868
*	53266-95	DECAL, HORN (Included W/Item 16)	1	759787
*	69600-10	HARNES, HORN SWITCH (Included W/Item 16)	1	759836
*	69001-76A	HORN 12V	1	709089
*	69005-00	WIRE HARNES UNIV HORN	1	709360
*	64219-03	GLOVE BOX SET, BLACK	1	719152
	8212	RIVET #619 (To attach Glove Box)	4	719931
*	70148-00	KIT, DELUXE HORN	1	190798U

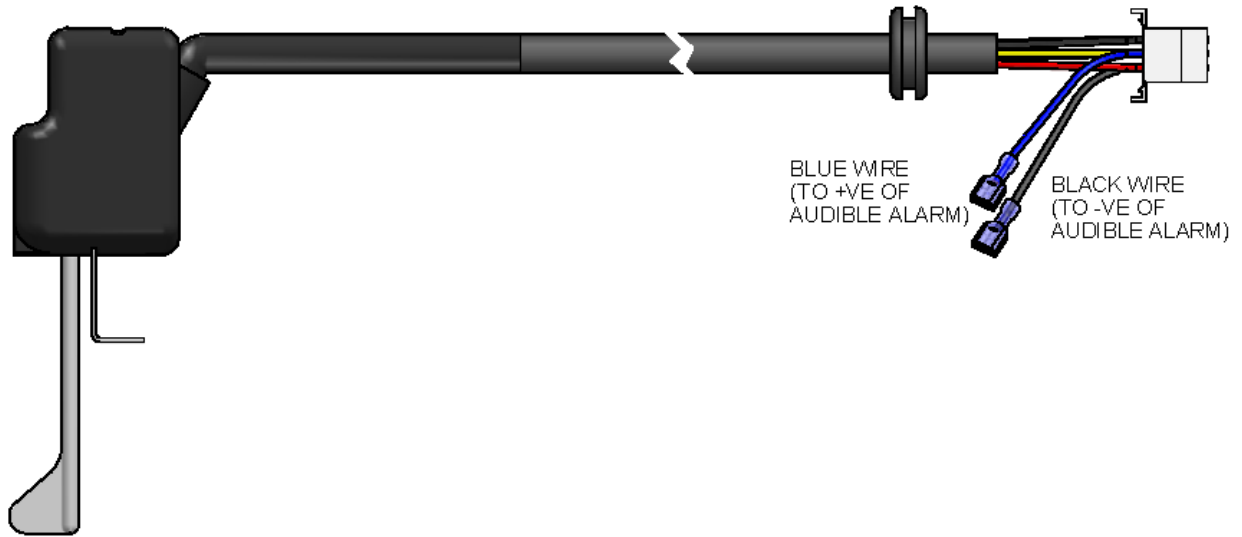
\* NOT SHOWN

KEYSET	3 POSITION POWERSWITCH		2 POSITION POWERSWITCH		STANDARD KEYS	
	CPC P/N	SI P/N	CPC P/N	SI P/N	CPC P/N	SI P/N
A	71730-01	709040	71732-06	759706	71731-01	749184
B	71730-03B	719297	71732-06B	759722	71731-03B	719301
C	71730-03C	719298	71732-06C	759723	71731-03C	719302
D	71730-03D	719299	71732-06D	759724	71731-03D	719303
E	71730-03E	719300	71732-06E	759721	71731-03E	719304



# TURN SWITCH ASSEMBLY – C6

P/N 71426-02

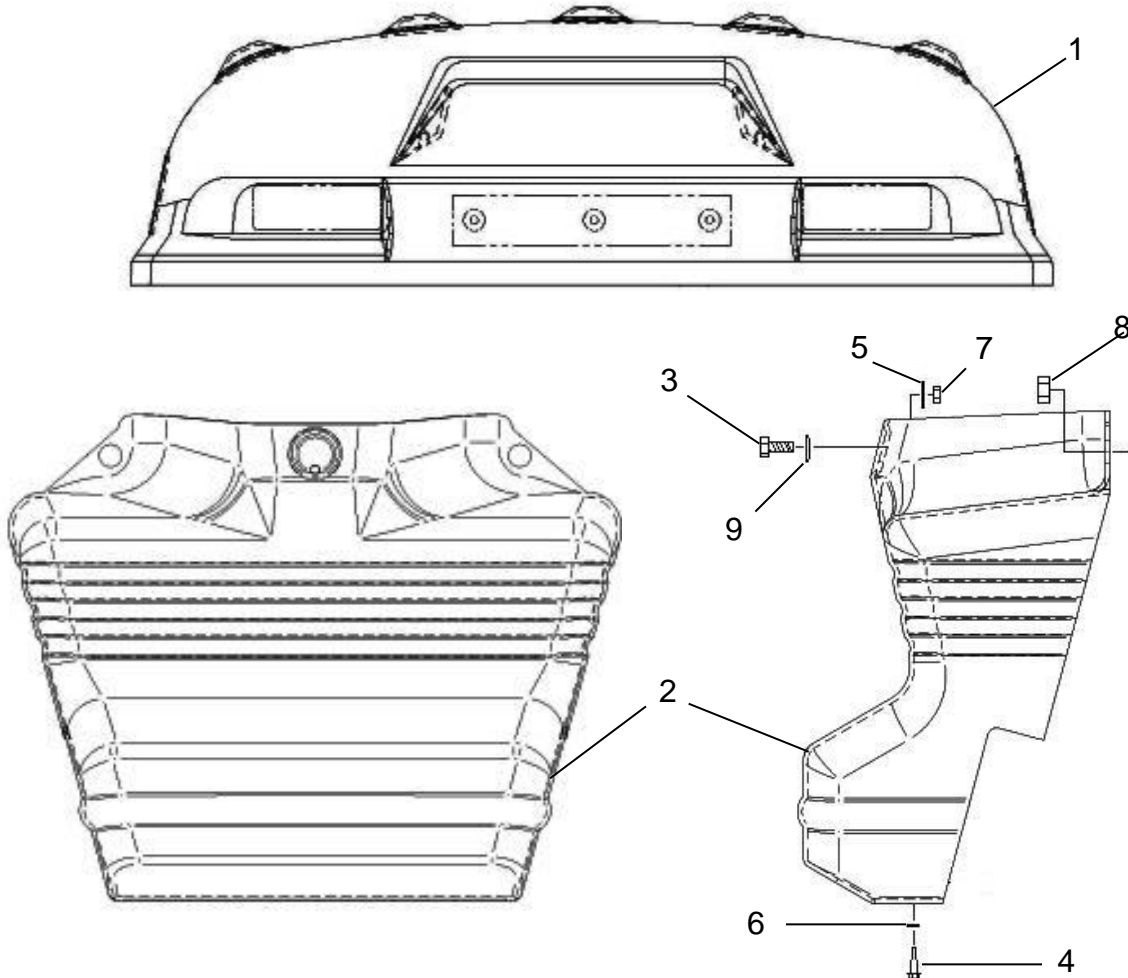


## FRONT HOOD AND COVER – C6

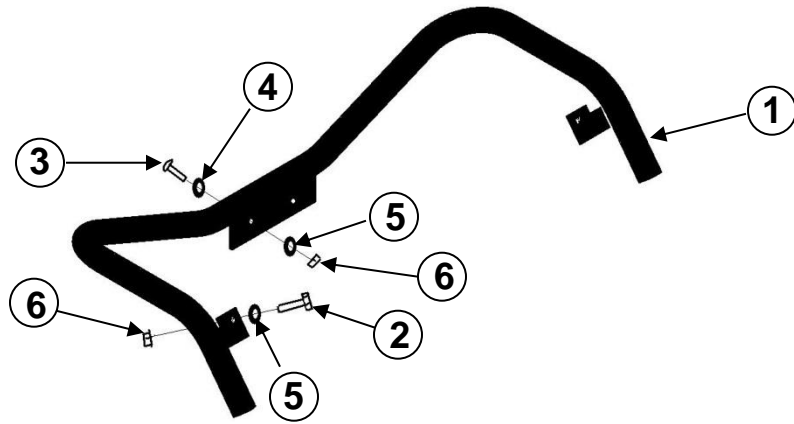
ITEM	CPC P/N	DESCRIPTION	QTY	SEATS P/N
1	50131-96	FRONT HOOD	1	462627
2	91059-96	FRONT COVER, BUMPER	1	709047
3	2551-W	SCREW, 1/4-20X1, HHC	1	719564
4	2653-B	SCREW, 10-16X3/4	2	719583
5	6703-B	WASHER, 1/4	1	719811
6	6716	WASHER, # 10	2	719812
7	7686	NUT, 1/4-20 NYLOCK	1	719879
8	7880	NUT, 1/2-13 HEX	2	719913
9	37084-41	SPR. WASHER	1	729782
*	84205-92A	COLUMBIA DECAL	1	709397

\* NOT SHOWN

NOTE: Items 3 & 9 pass through the center hole of Item 1 behind the decal.

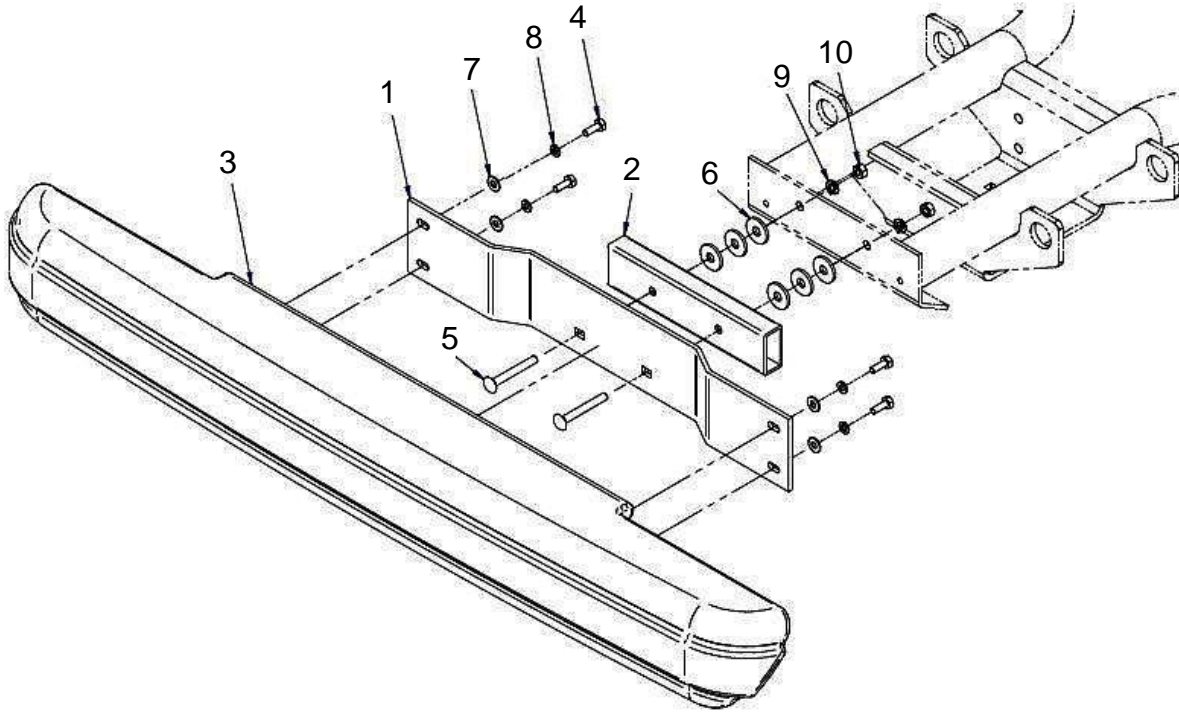


### FRONT WRAPAROUND BUMPER – C6



ITEM	CPC P/N	DESCRIPTION	QTY	SEATS P/N
1	44922-97	BUMPER, FRONT WRAPAROUND	1	309811
2	4017	SCREW, 5/16-18X1, HHCS, G5	2	708085
3	5207-BS	SCREW, 5/16-18X2. PPH	2	719730
4	6000-B	WASHER, 5/16 USS/STD	2	719771
5	6417-W	WASHER, .391X1.125X.120 F/W	4	719797
6	7525	NUT, 5/16 GR A, SERRATED FLNG LOCK	4	719864
7	82100-97A	WRAPAROUND BUMPER KIT (Includes Items 1 – 6)	1	190709U

## FRONT DUROBUMPER – C6



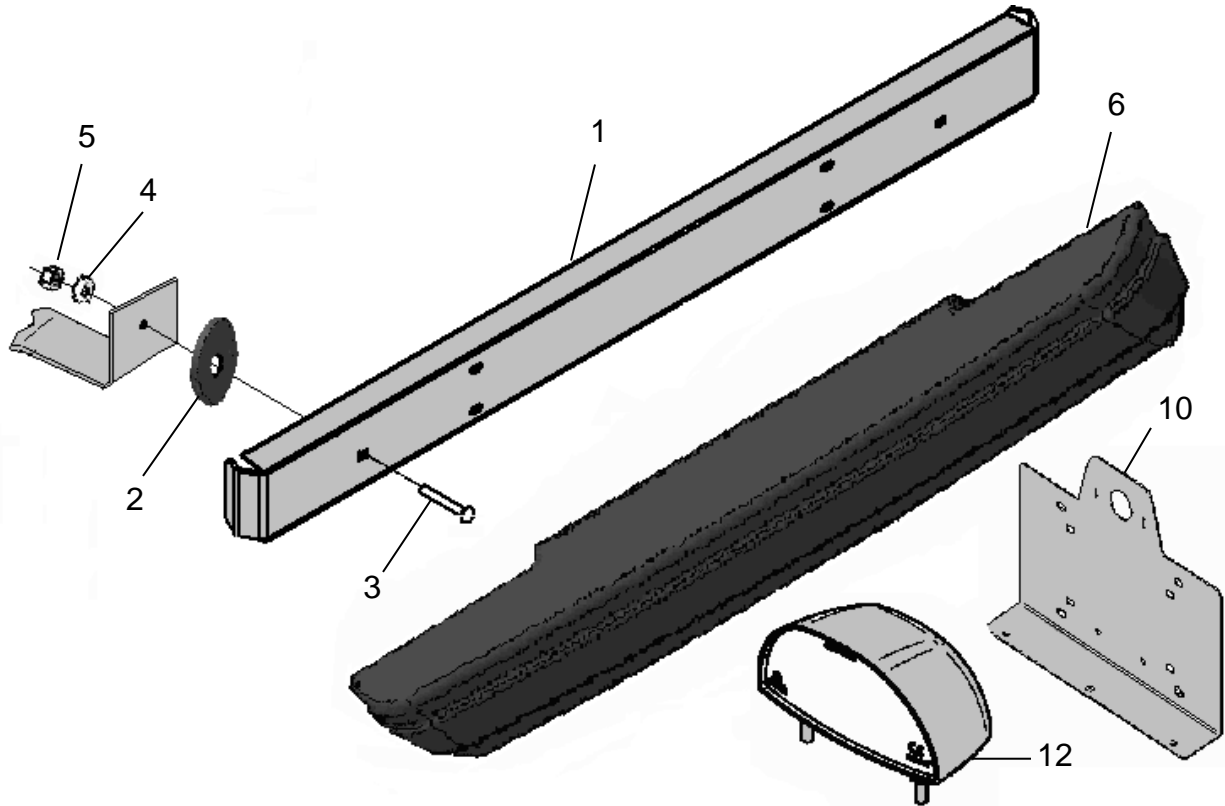
ITEM	CPC P/N	DESCRIPTION	QTY	SEATS P/N
1	91061-96MZ	BRACKET	1	510282
2	43736-06	SPACER (See Note)	1	511241
3	91010-96MZ	DURO BUMPER	1	709169
4	3787-B	SCREW, 1/4-20X3/4"	4	719636
5	5447-BS	SCREW, 5/16-18X2 1/2 (See Note)	2	719749
5A	5449-BS	SCREW 5/16-18X1 1/2	2	719750
6	6417-W	WASHER, .391X1.125X.120 F/W	6	719797
7	6703-B	WASHER 1/4	4	719811
8	7036-B	WASHER, LOCK 1/4	4	719834
9	7041-B	WASHER, 5/16 SPRING LOCK	2	719838
10	7748-B	NUT, 5/16-18 HEX	2	719896
11	89109-06	KIT, FRONT DUROBUMPER	1	191232U

NOTE: Items 2 and 5 used only with lifted vehicles.

## REAR BUMPER C6

ITEM	CPC P/N	DESCRIPTION	QTY	SEATS P/N
1	44412-11	BUMPER ALUMINUM	1	513275
1A	91006-03	BUMPER STEEL	1	509017
2	52329-85	WASHER, .375X1.5X.5 F/W, NYL	2	719737
3	5460	SCREW, 5/16-18X3.5, CARR, HD, G5	2	719122
4	6000-B	WASHER, 5/16, USS/STD	2	719771
5	7739	NUT, 5/16 NYLOCK	2	719892

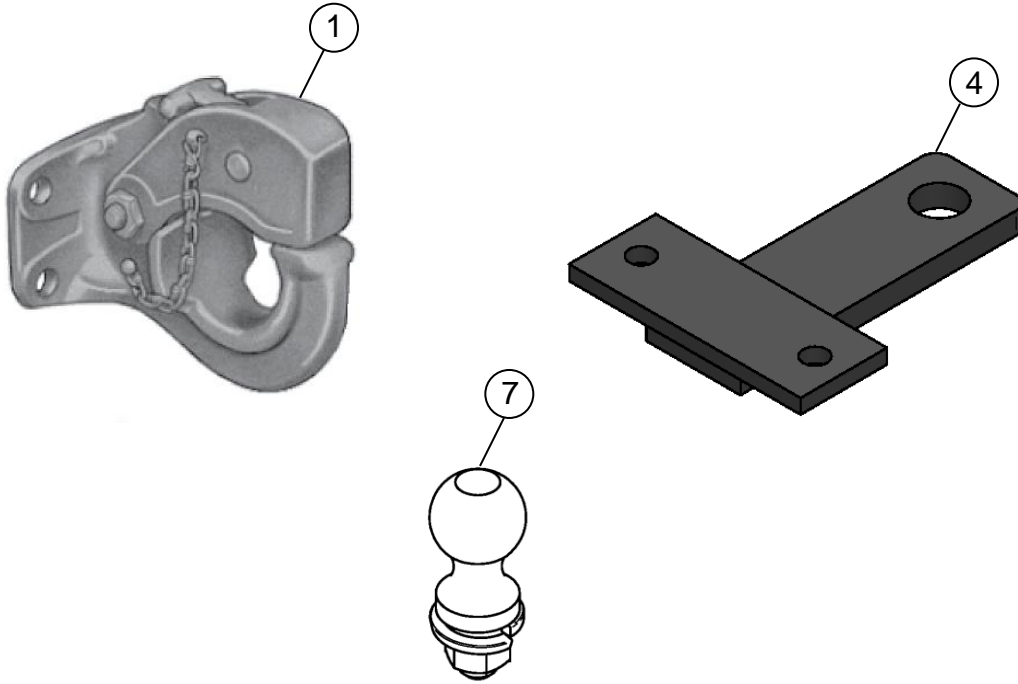
\* SPECIAL ORDER



ITEM	CPC P/N	DESCRIPTION	QTY	SEATS P/N
6	91010-96MZ	DURO BUMPER	1	709169
7*	3787-B	SCREW, 1/4-20X3/4 (Attaches Item 6 To Item 1, Item 10 to Item 6 & Item 12 to Item 10)	11	719636
8*	6703-B	WASHER 1/4 (Attaches Item 6 To Item 1, Item 10 to Item 6 & Item 12 to Item 10)	11	719811
9*	7036-B	WASHER LOCK 1/4 (Attaches Item 6 To Item 1 Item 10 to Item 6 & Item 12 to Item 10)	11	719834
10	68026-04	BRACKET, LICENSE/LIGHT	1	509726EP
11*	50190-86	NUT, JACK #8 (Attaches Item 10 to Item 6)	3	719717
12	68027-04	LIGHT, LICENSE	1	719326
13*	69007-02	HARNESS, LIGHT, LICENSE	1	709823

\* NOT SHOWN

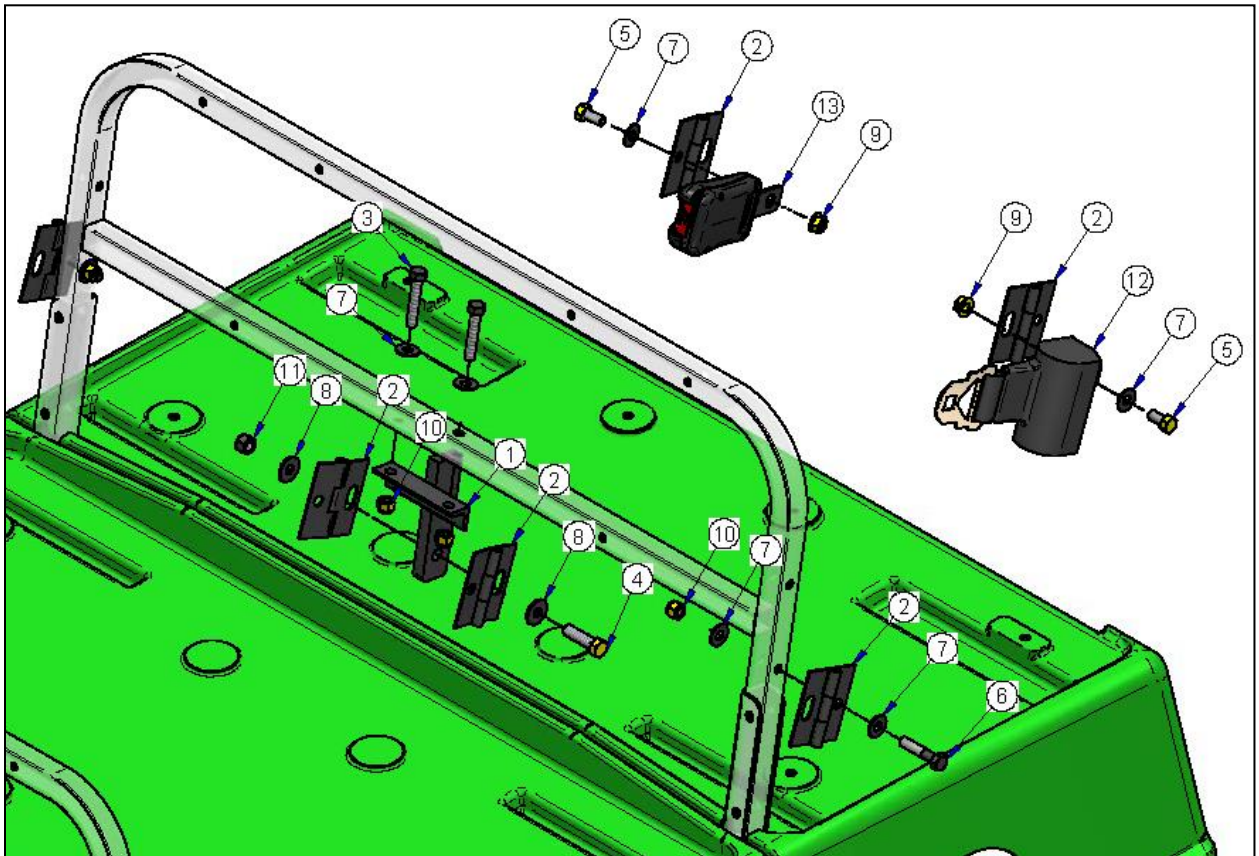
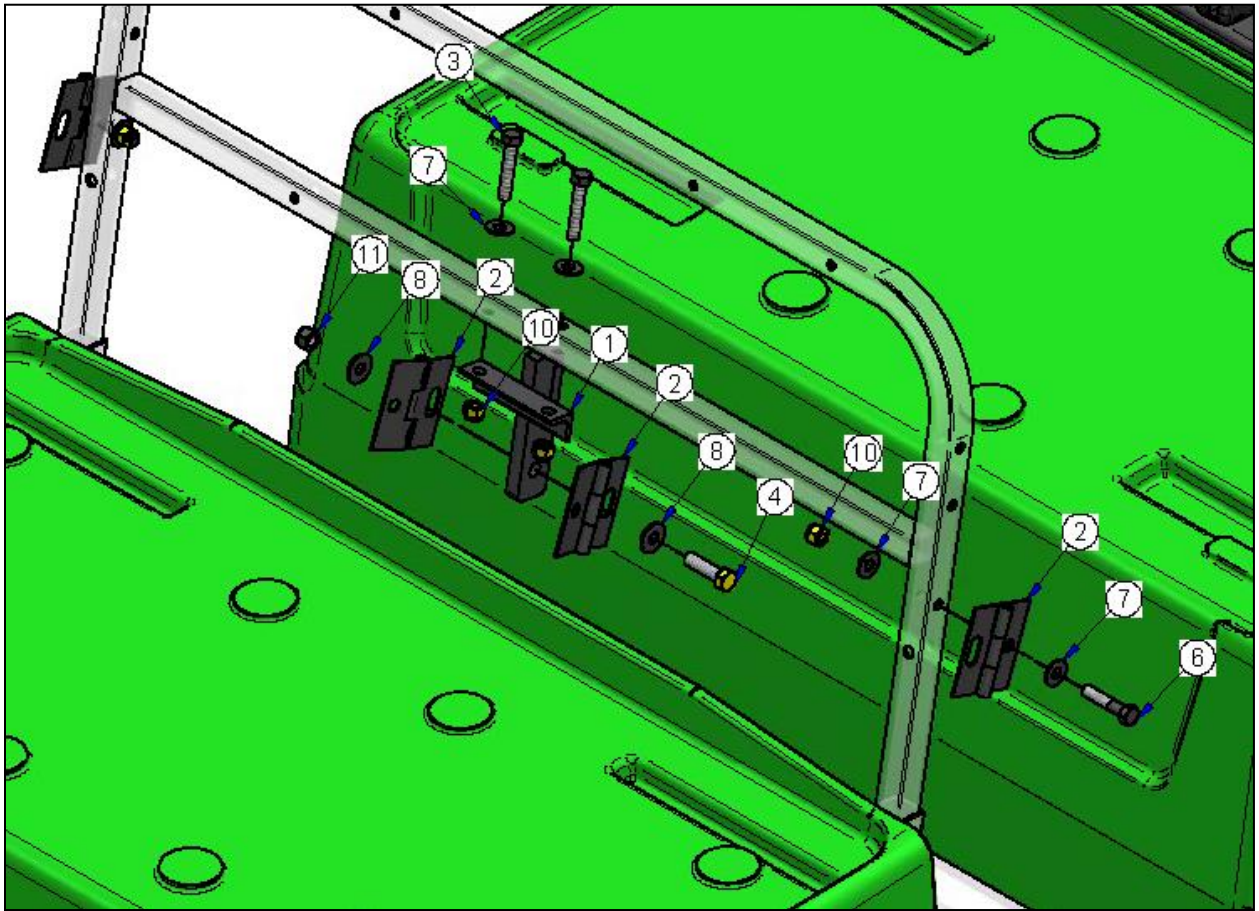
## HITCHES – C6



ITEM	CPC P/N	DESCRIPTION	QTY	SEATS P/N
1	57315-96	PINDLE HOOK HITCH	1	709833
2*	7812-W	NUT, 1/2-20 NYLOK GR A (Used with Item 1)	4	719907
3*	4010	SCREW, 1/2-20x1.5 HHCS G5 (Used with Item 1)	4	729809
4	93778-91A	TOW PLATE	1	304326
5*	4716-W	SCREW 3/8-16X1 1/4 HHCS, G5 (Used with Item 4)	2	719694
6^	7778	NUT, 3/8-16 NYLOCK (Used with Item 4)	2	719902
7	82065-98	HITCH BALL, CHROME 1 7/8"	1	719008
7A	82064-02	HITCH BALL, 2"	1	719207

\* NOT SHOWN

# SEATBELTS BENCH – C6



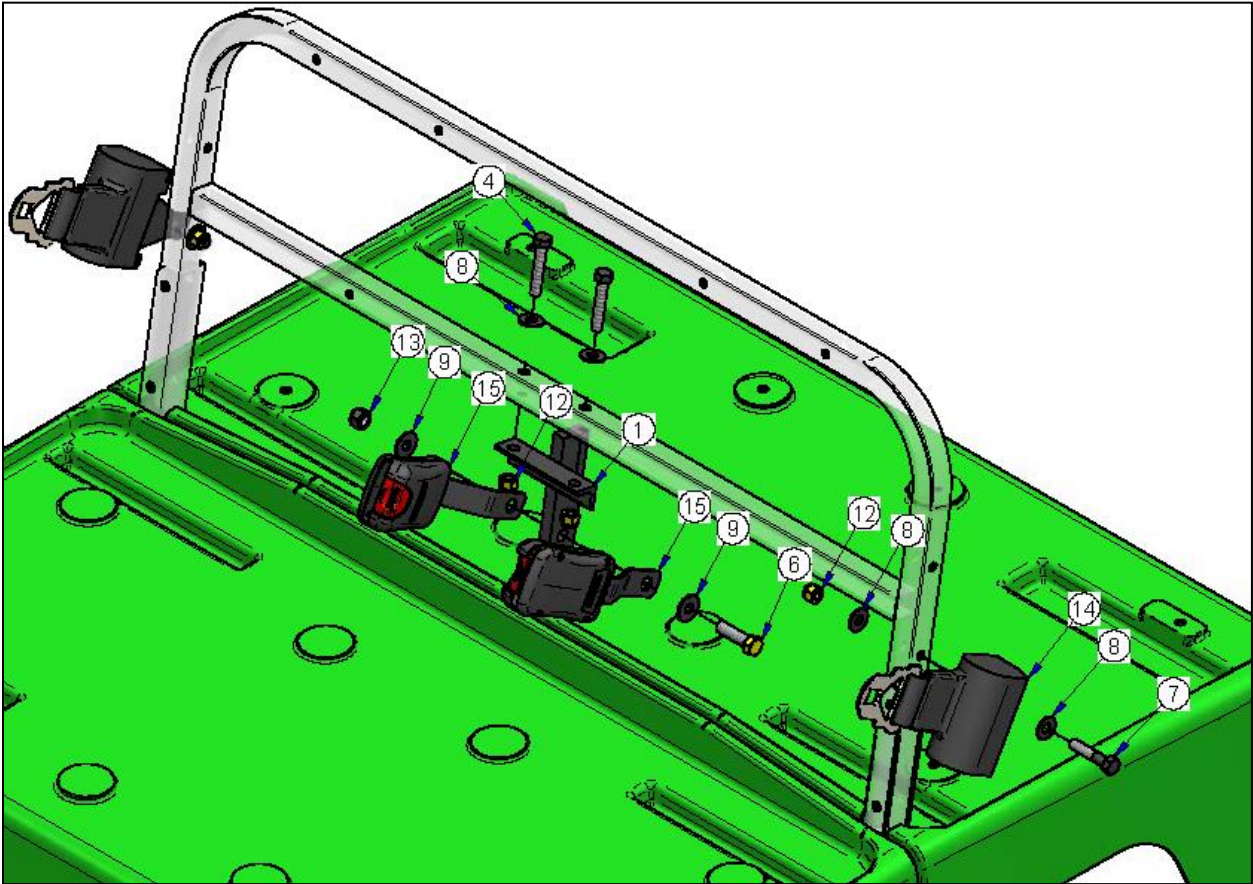
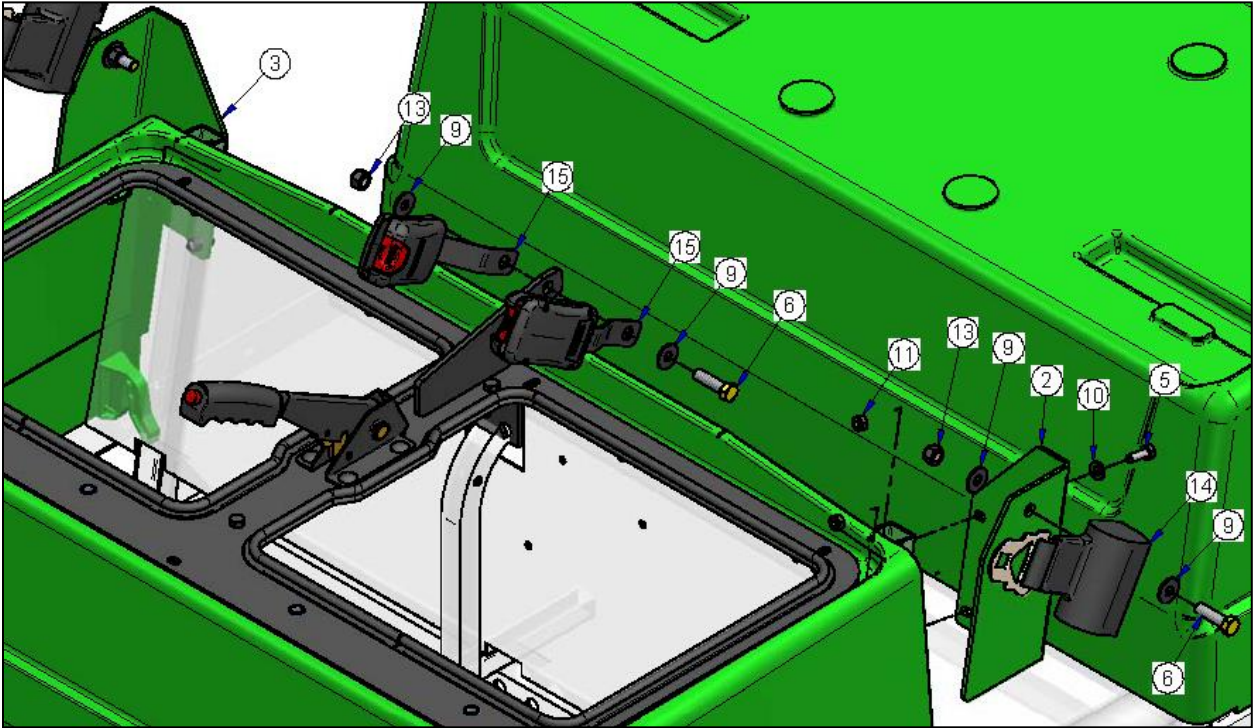
**SEATBELTS BENCH – C6 (Cont.)**

<b>ITEM</b>	<b>CPC P/N</b>	<b>DESCRIPTION</b>	<b>QTY</b>	<b>SEATS P/N</b>
1	75508-99	BRACKET	2	306478
2	75509-99	HINGE	8	709037
3	3775	SCREW, 3/8-16X2 HHC	4	719634
4	4256	SCREW, 7/16-20X1 1/2 HHC	2	719665
5	4713-W	SCREW, 3/8-16X3/4 HHC	8	719693
6	4720-B	SCREW, 3/8-16X1 3/4 HHC	4	719696
7	6000-B	WASHER, 5/16	20	719771
8	6416	WASHER, 3/8	4	719796
9	7755	NUT, 3/8-16 FLANGE, LOCK	8	719899
10	7778	NUT,3/8-16 NYLOCK	8	719902
11	7825	NUT, 7/16-20 NYLOCK	2	719908
12	75504-09	SEAT BELT 48"	4	741359
13	75502-09	SEAT BELT, BUCKLE	4	741361

\* SPECIAL ORDER



SEATBELTS BUCKET – C6

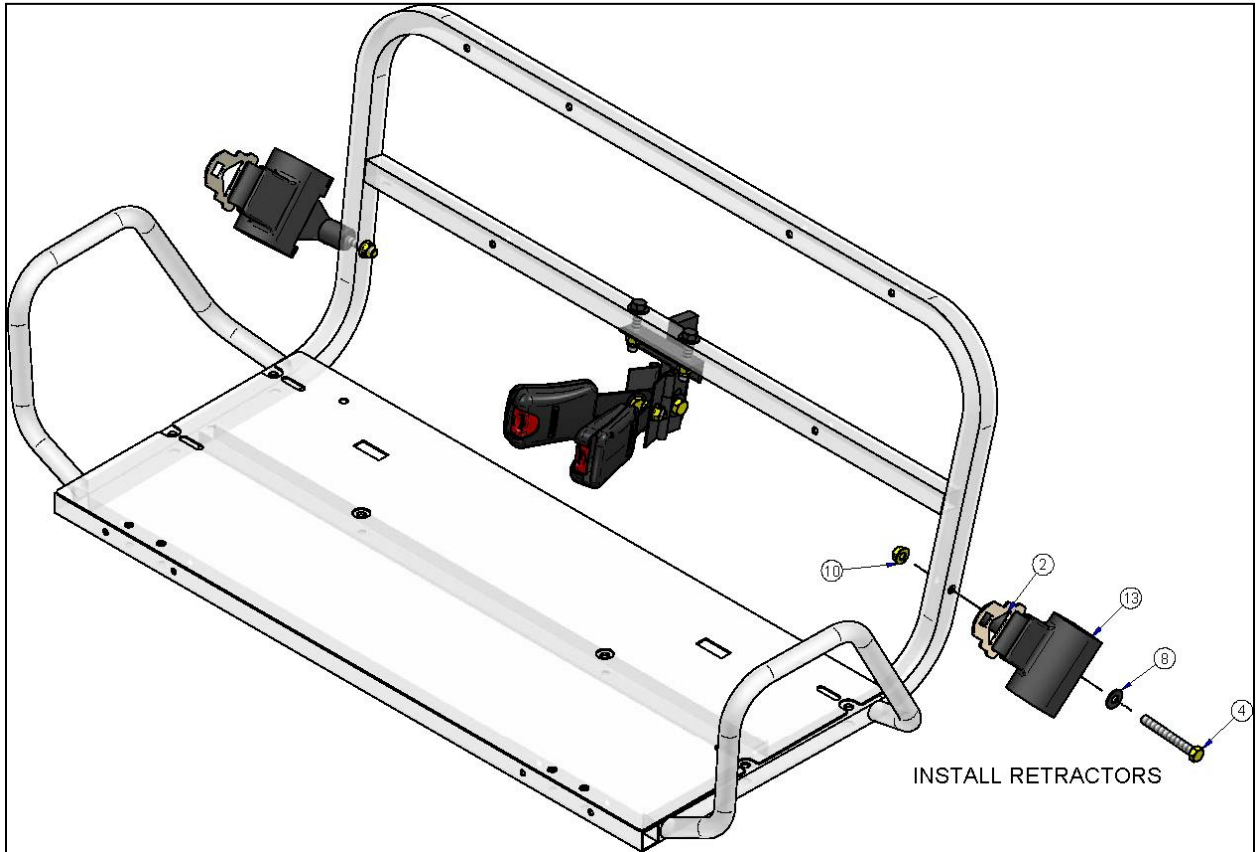
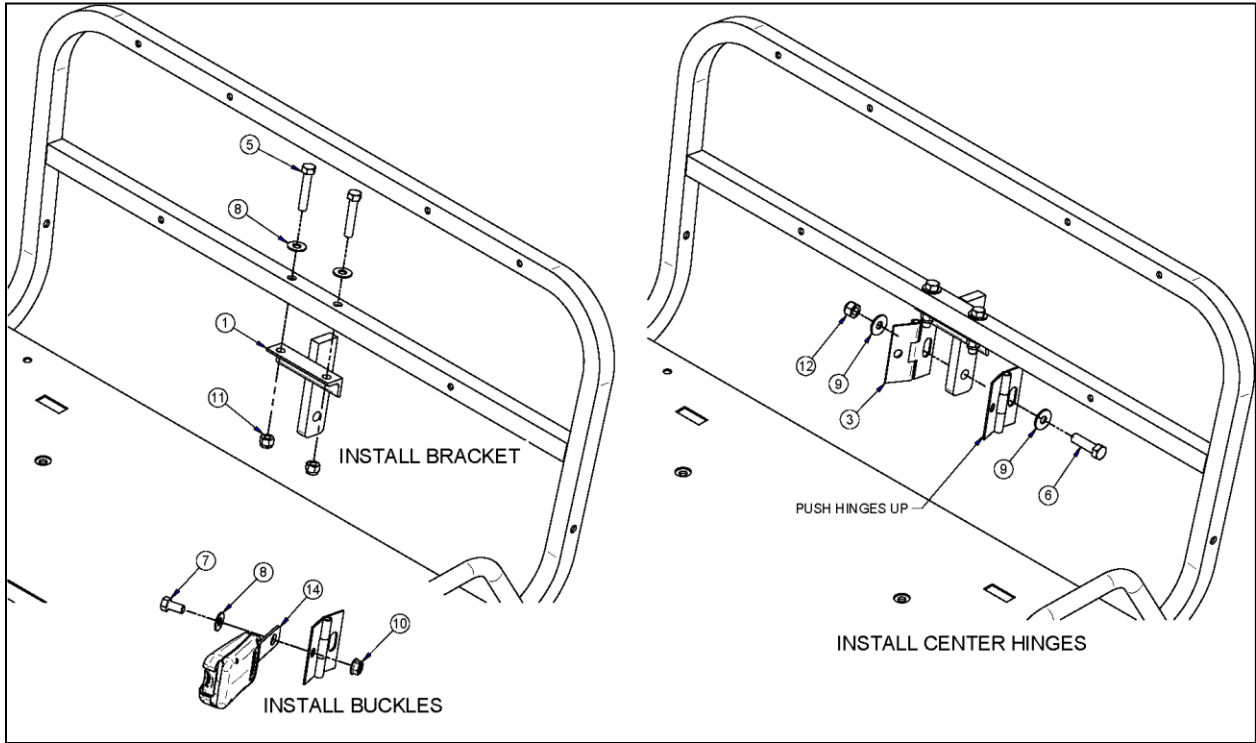


**SEATBELTS BUCKET – C6 Cont.**

<b>ITEM</b>	<b>CPC P/N</b>	<b>DESCRIPTION</b>	<b>QTY</b>	<b>SEATS P/N</b>
1	75505-08	SEATBELT BRACKET	1	306478
2	*	SEATBELT MOUNT - LH	1	467189
3	*	SEATBELT MOUNT - RH	1	467190
4	3775	SCREW, 3/8-16X2 HHCS, G5	2	719634
5	3991	SCREW, 5/16-18X7/8 HHC G5	4	719643
6	4256	SCREW, 7/16-20X1.5 HX HD G5	4	719665
7	4720-B	SCREW, 3/8-16X1 3/4 HHC	2	719696
8	6000-B	WASHER, 5/16	6	719771
9	6416	WASHER FLAT STL 3/8	8	719796
10	6702-B	WASHER FLAT STL 5/16	4	719810
11	7739	NUT, 5/16-18 NYLOCK	4	719892
12	7778	NUT, 3/8-16 NYLOCK	4	719902
13	7825	NUT, 7/16-20 NYLOCK	4	719908
14	75504-09	SEAT BELT 48" BLK 1.3" MOUNT	4	741359
15	75503-09	ATS BUCKLE W/OFFSET STRAP SEAT BELT	4	760553

\* SPECIAL ORDER

# SEAT BELTS, REAR FACING SEAT-C6



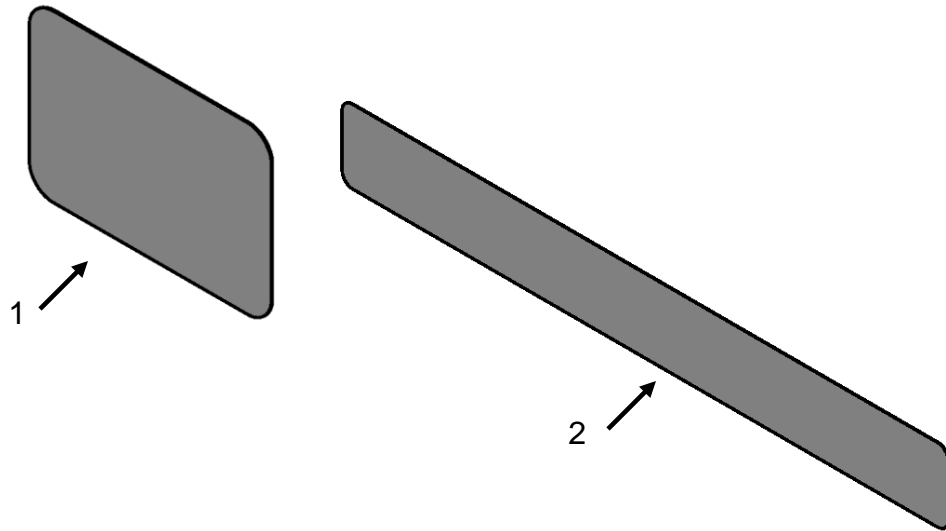
**SEAT BELTS, REAR FACING SEAT-C6 Cont.**

<b>ITEM</b>	<b>CPC P/N</b>	<b>DESCRIPTION</b>	<b>QTY</b>	<b>SEATS P/N</b>
1	75508-99	BRACKET	1	306478
2	5845	SPACER	2	510324
3	75509-99	HINGE	2	709037
4	2828-W	SCREW, 3/8-16X3 HHC G5	2	719591
5	3775	SCREW, 3/8-16X2 HHC	2	719634
6	4256	SCREW, 7/16-20X1 1/2 HHC	1	719665
7	4713-W	SCREW, 3/8-16X3/4 HHC	2	719693
8	6000-B	WASHER, 5/16	6	719771
9	6416	WASHER, 3/8	2	719796
10	7755	NUT, 3/8-16 FLANGE, LOCK	4	719899
11	7778	NUT,3/8-16 NYLOCK	2	719902
12	7825	NUT, 7/16-20 NYLOCK	1	719908
13	75504-09	SEAT BELT 48"	2	741359
14	75502-09	SEAT BELT, BUCKLE	2	741361

**WHEELS – C6**

<b>ITEM</b>	<b>CPC P/N</b>	<b>DESCRIPTION</b>	<b>QTY</b>	<b>SEATS P/N</b>
1	41016-02	TIRE/WHL ASSY, 5.7X8 DOT 6-PLY 4 BOLT Uses Item 2)	4	709363
1A	45010-04	TIRE/WHL ASSY, 175/50R13 CHROME	4	719334
1B	45251-12	TIRE/WHL ASSY, 165/65R13	4	514169
2	43152-66	LUG NUT, 1/2-20 TAPERED WHEEL	16	709002
2A	43154-04	LUG NUT, CHROME	16	719332
3	43740-04	PLTD, SPACER WHEEL 10 GA, 4 HOLE	4	509958PL
4	43606-87	HUB CAP, 8" CHROME & BLACK - TURF	4	709371
4A	43605-87	HUB CAP, 8" GOLD & BLACK - TURF	4	709083
4B	83961-63A	HUB CAP, 8" CHROME BABY MOON TURF	4	709185
4C	40513-04	HUB CAP CHROME CENTER	4	719387
5	41702-09	DECAL PSI	4	712173

## FRONT HEEL GUARD KIT – C6



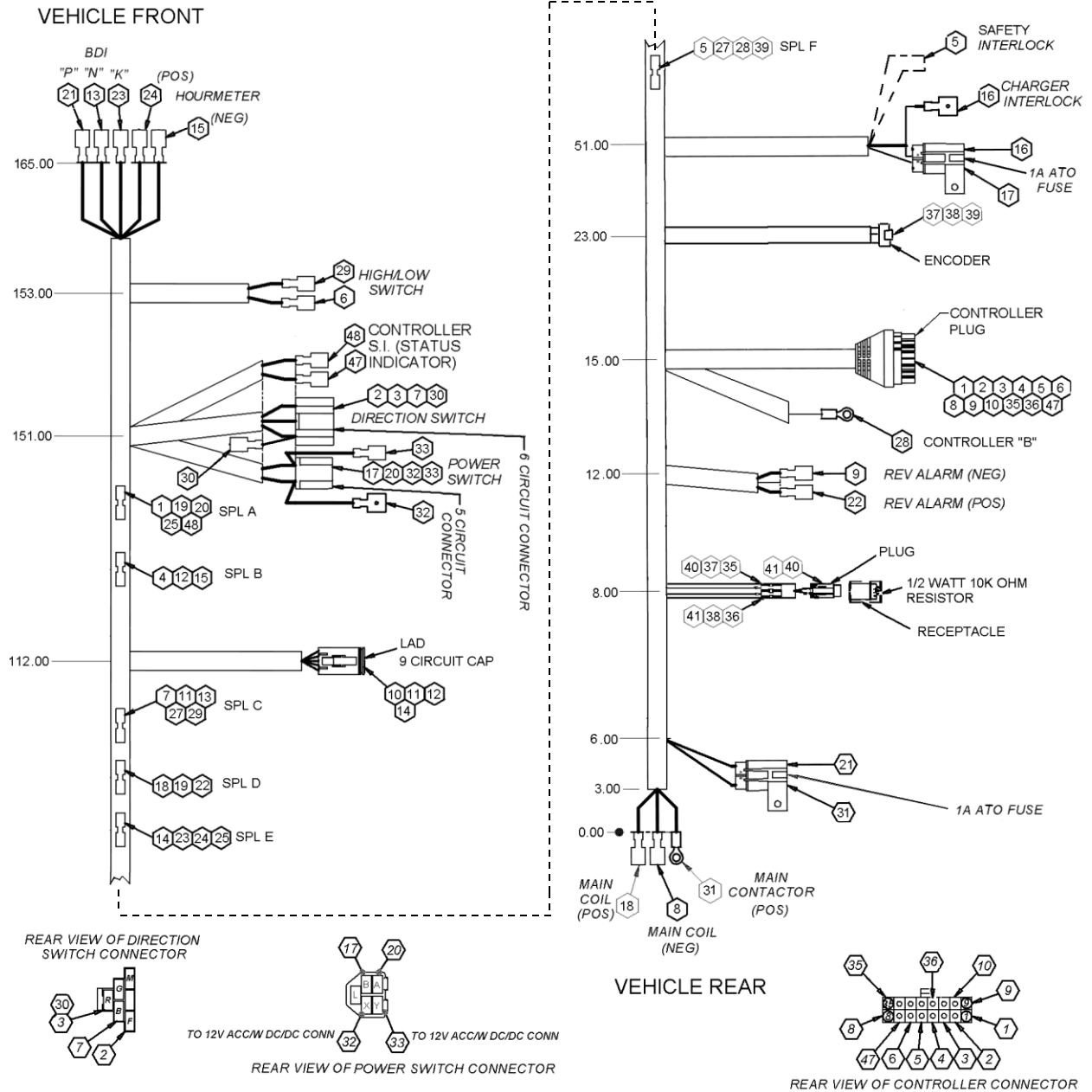
ITEM	CPC P/N	DESCRIPTION	QTY	SEATS P/N
1	50216-90A	GUARD, FRONT HEEL END	4	709039
2	50215-90A	GUARD, FRONT HEEL MIDDLE	2	709175
3	50220-90	HEEL GUARD KIT (Includes Items 1 & 2)	1	191025U

# **SHUTTLE Parts Manual**

## **Section 5**

### **Electrical Systems**

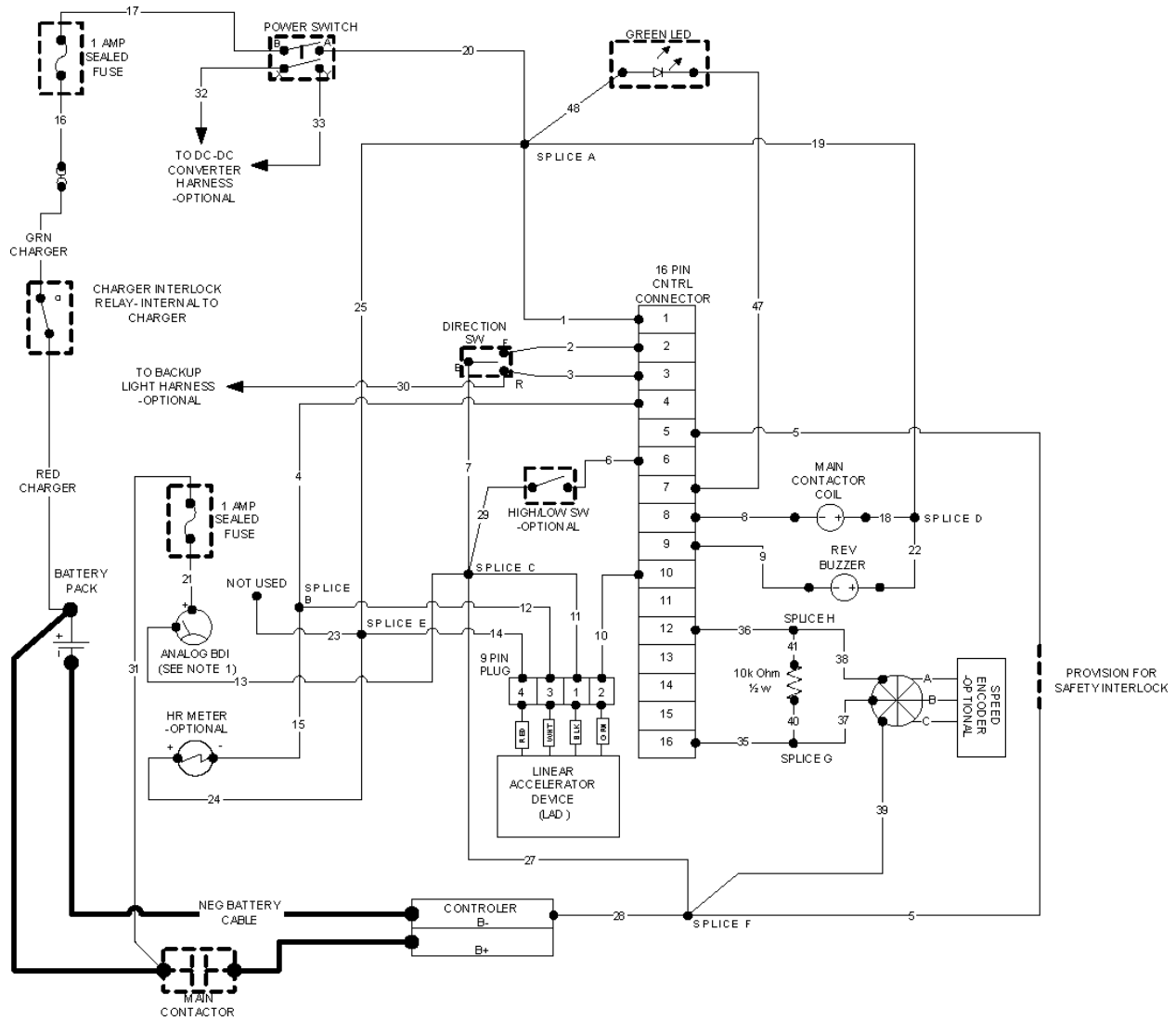
# MAIN WIRE HARNESS – C6 P/N 70068-07



CIRCUIT NO.	WIRE COLOR	CIRCUIT NO.	WIRE COLOR	CIRCUIT NO.	WIRE COLOR	CIRCUIT NO.	WIRE COLOR
1	RED	11	BLK	21	RED	31	RED
2	GRN	12	WHT	22	YEL	32	RED
3	GRY	13	BLK	23	WHT	33	RED
4	BLK	14	RED	24	WHT	35	GRN
5	BLK	15	BLK	25	WHT	36	RED
6	BLK	16	RED	26	—	37	GRN
7	BLK	17	RED	27	BLK	38	RED
8	BLK	18	RED	28	BLK	39	BLK
9	BLK	19	RED	29	BLK	40	GRN
10	GRN	20	RED	30	GRY	41	RED
						47	BLK
						48	RED



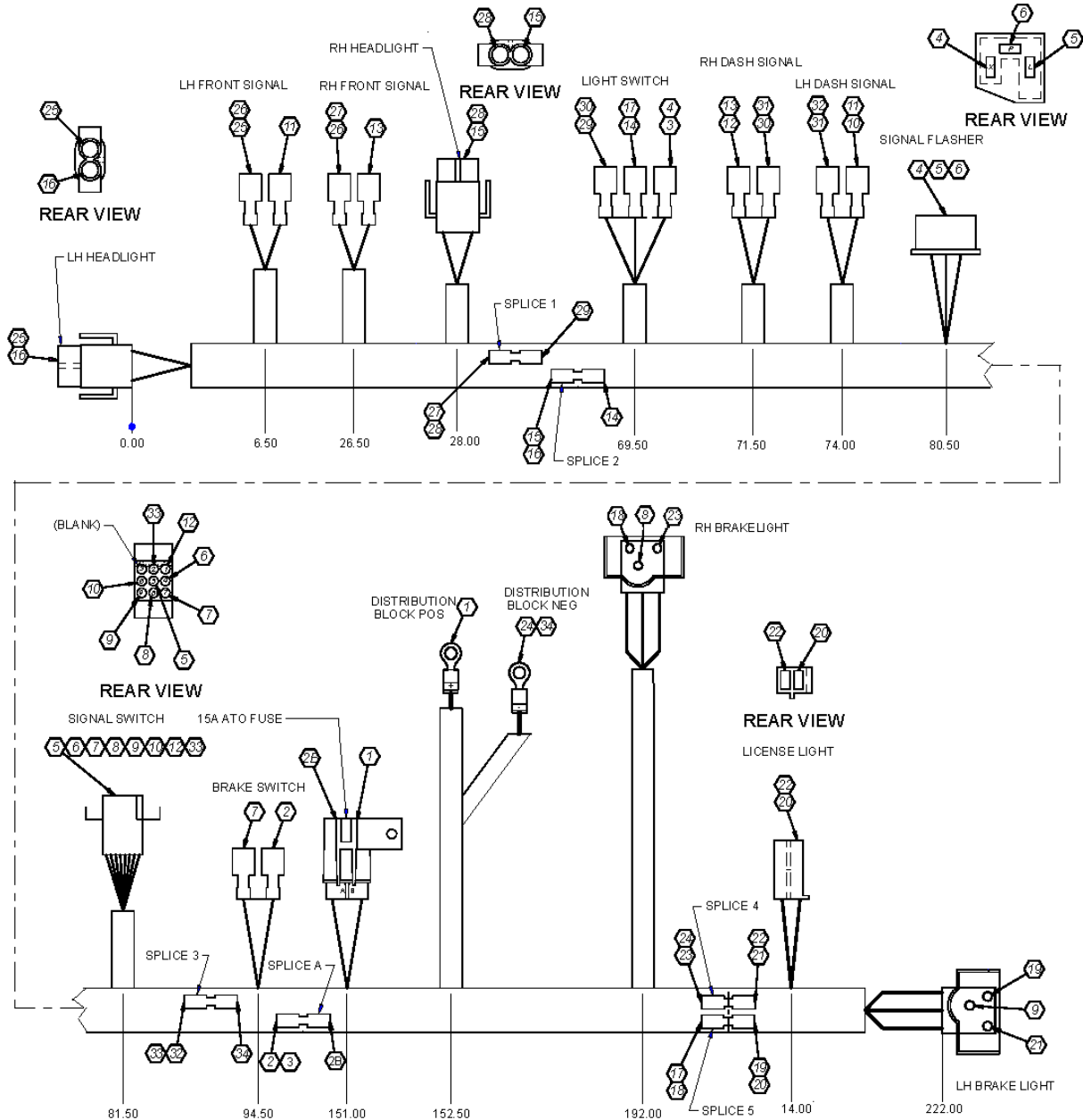
## MAIN WIRE HARNESS SCHEMATIC – C6 P/N 70068-07



ITEM	CPC P/N	DESCRIPTION	QTY	SEATS P/N
1	75061-07	BDI METER, 48V	1	759842
1A	75062-07	BDI METER, 36V	1	759874
2	75033-91A	HOURLY METER	1	709452
3	69900-10	SPEED SWITCH, TOGGLE.	1	760600
4	71425-87	DIRECTION SWITCH	1	719432
5	67791-08	LIGHT, LED, GREEN	1	759932
6	71732-06	KEYSWITCH	1	759706
7	70226-07	ACCELERATOR, LINEAR	1	759803
8		CHARGER DELTA Q (See Page 5-14)	1	
9	75594-04	FUSE - 1.0 AMP	2	719444
10	47895-05A	CONTROLLER, SEVCON REGEN HP, 24/-48 (Programmed 760576)	1	467696
11	71408-96A	ALARM, AUDIBLE	1	759831
12	70590-07	RESISTOR, ASSEMBLY	1	759934
13	71455-01A	CONTACTOR W/ MTG BRKT - 24 V (SW80)	1	709166
14	70068-07	MAIN HARNESS (See Note)	1	759890

NOTE: For vehicles with a pot box, an adapter is required. See page 5-16.

## 12V ELECTRICAL ACCESSORY WIRING – C6 P/N 68870-02

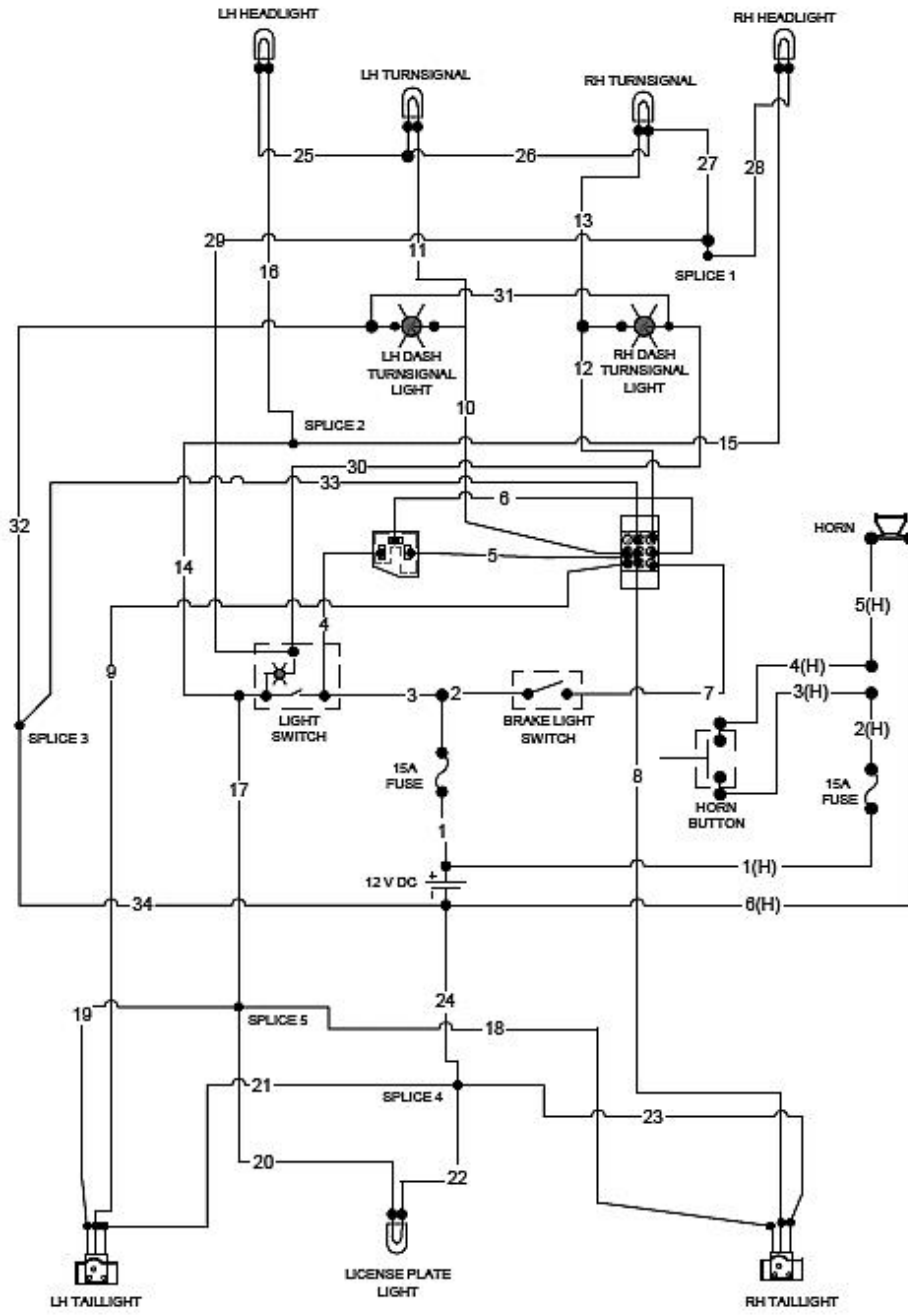


ITEM	CPC P/N	DESCRIPTION	QTY	SEATS P/N
1	68900-10	HEADLIGHTS, GLASS (PAIR, RECTANGULAR)	1	467666
2	68499-96	ASSY, FRONT TURN LIGHT	2	467420
3	72000-10	SWITCH, TOGGLE	1	760600
4	67790-00	LIGHT, DASH SIGNAL INDICATOR	2	709111
5	71977-04	FLASHER	1	719366
6	71426-02	ASSY, TURN SWITCH W/GROMMET	1	464193
7*	71412-07	ALARM, AUDIBLE	1	759790
8	74595-01	FUSE, 15 AMP ATO/ATC	2	709255
9*	68020-92	LIGHT, 4" TAIL LAMP ASSY W/PLUG	2	709109
10*	69001-76A	HORN 12V (see note)	1	709089
10*	69003-12	HORN 48V	1	760753

\* NOT SHOWN

NOTE: Vehicle produced after mid 2012 are equipped with a 48 V horn. If replacing a 12V horn it is recommended replacing it with a 48V horn. See Horn Harness information page 5-10.

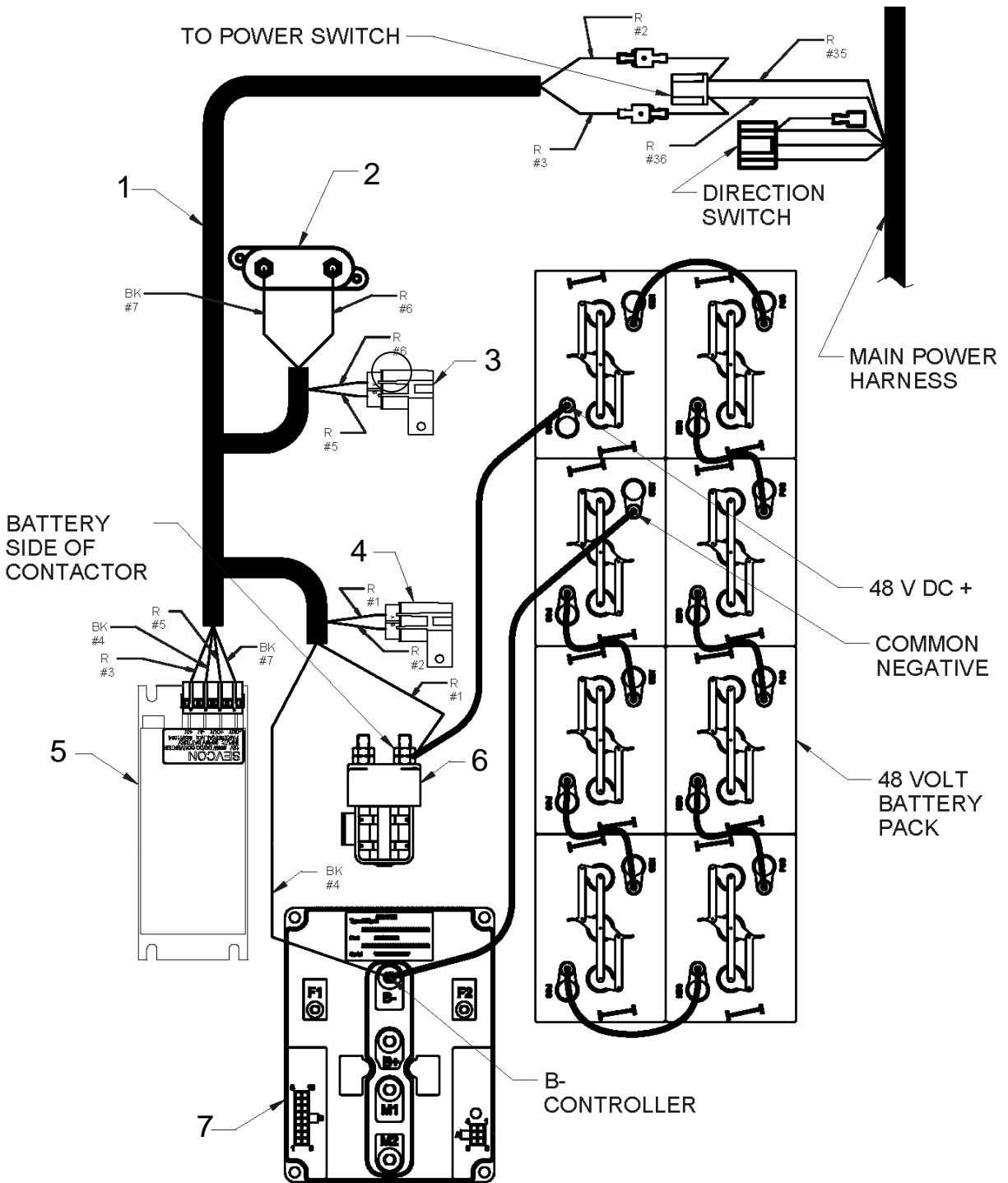
# 12V ACCESSORY SCHEMATIC -C6



CIRCUIT NO.	WIRE COLOR
1	RED
2	RED
3	RED
4	RED
5	YEL
6	BLU
7	WHT
8	GRY
9	ORG
10	GRN
11	GRN
12	RED
13	RED
14	BLU
15	BLU
16	BLU
17	BLU
18	BLU
19	BLU
20	BLU
21	BLK
22	BLK
23	BLK
24	BLK
25	BLK
26	BLK
27	BLK
28	BLK
29	BLK
30	BLK
31	BLK
32	BLK
33	BLK
34	BLK
1(H)	WHT
2(H)	WHT
3(H)	WHT
4(H)	WHT
5(H)	WHT
6(H)	BLK

(H) HORN HARNESS CIRCUIT

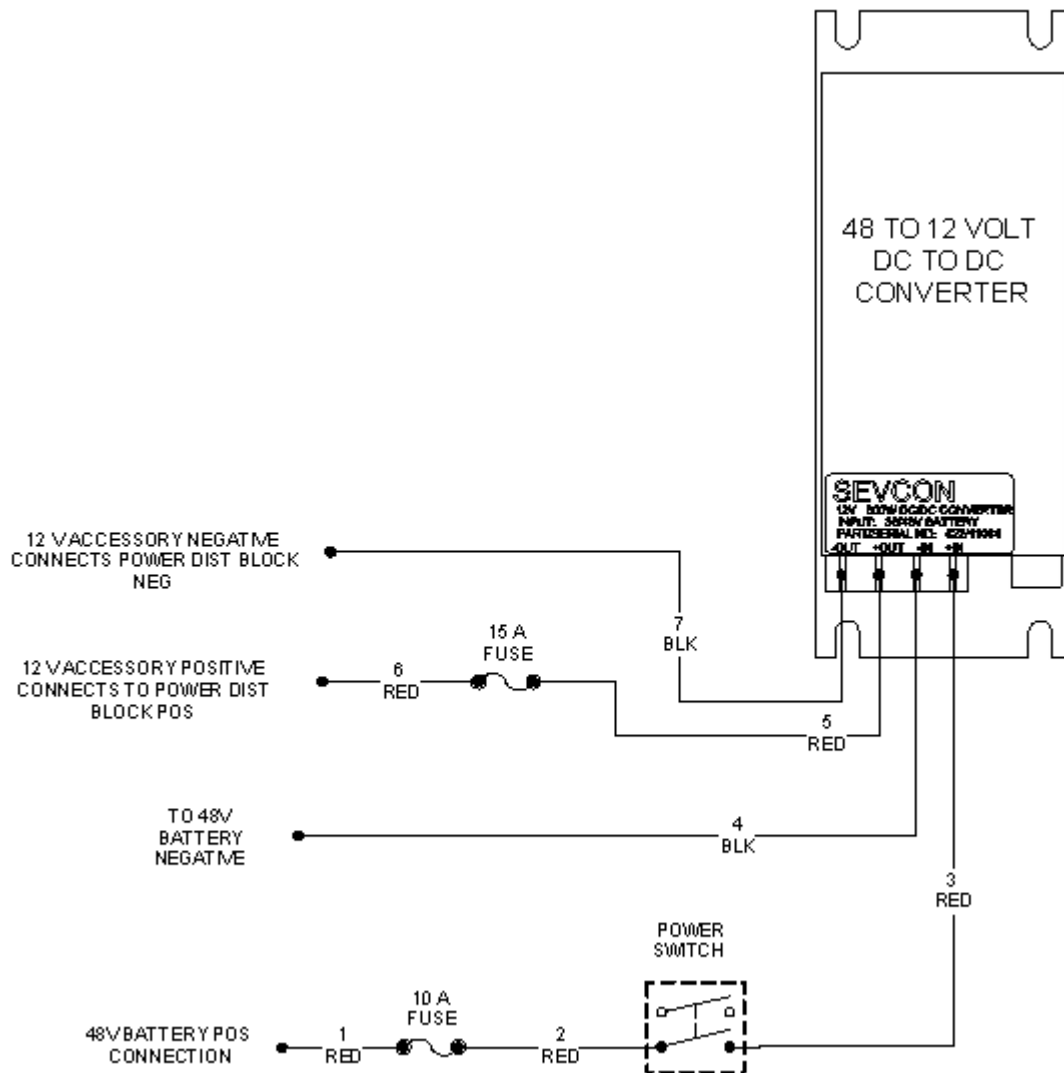
# DC/DC CONVERTER WIRING - C6



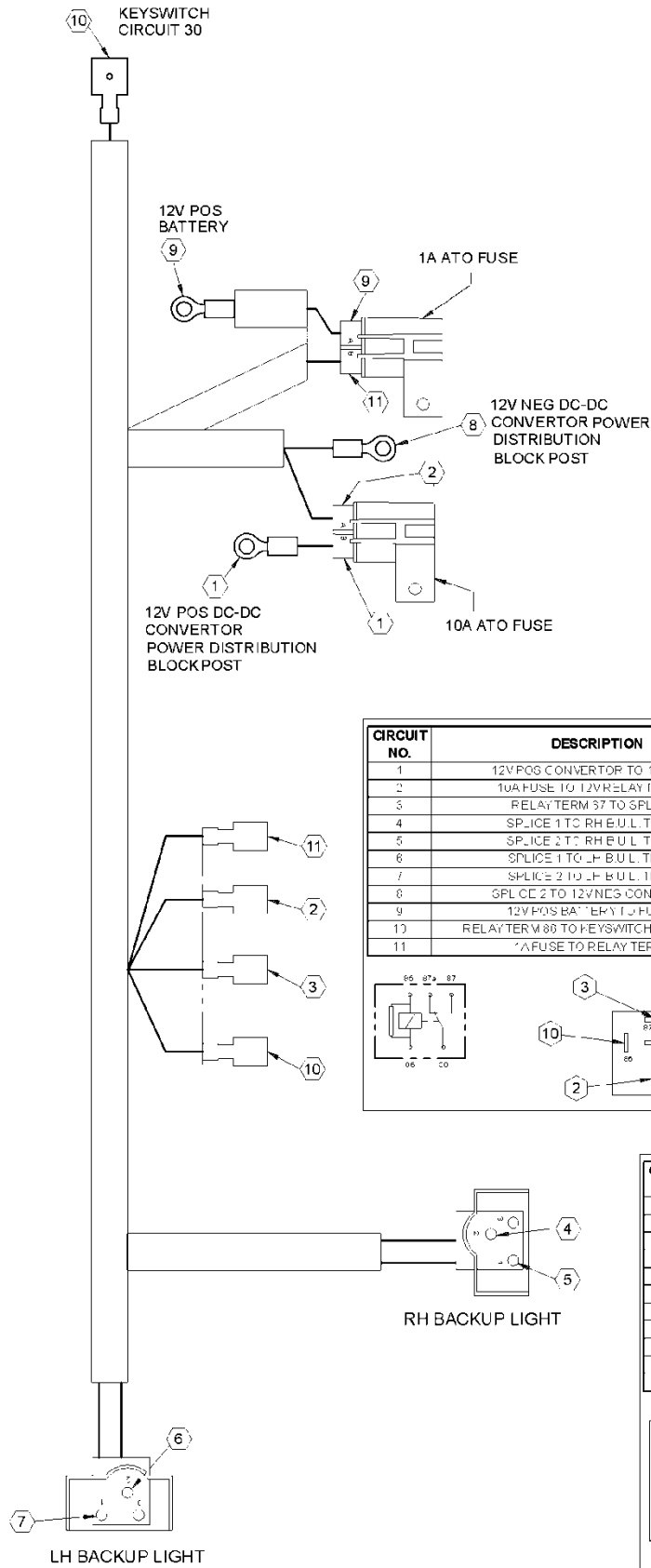
## DC/DC CONVERTER WIRING – C6 Cont.

ITEM	CPC P/N	DESCRIPTION	QTY	SEATS P/N
1	70030-06	HARNESS, DC-DC CONVERTER	1	759778
2	71854-06	POWER DISTRIBUTION BLOCK	1	759792
3	74595-01	FUSE, 15 AMP ATO/ATC	1	709255
4	74596-02	FUSE, 10 AMP ATO/ATC	1	709786
5	69642-05	48V TO 12V DC-DC CONVERTER	1	760378
6	71455-01A	CONTACTOR & MOUNT BRACKET 24V	1	709166
7	47895-05A	CONTROLLER, SEVCON RGEN-SEPEX (Programmed 760576)	1	467696

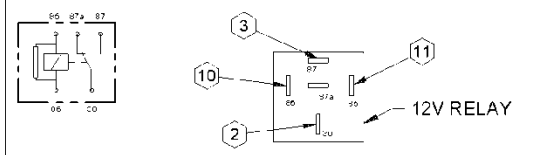
## DC/DC CONVERTER SCHEMATIC – C6



# BACK UP LIGHT WIRING – C6

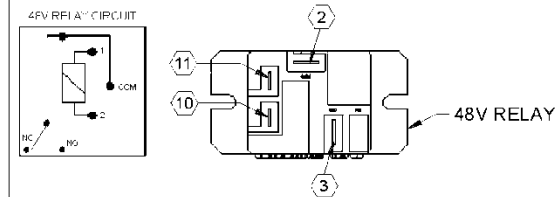


CIRCUIT NO.	DESCRIPTION	WIRE COLOR	WIRE GAGE
1	12V POS CONVERTOR TO 10A FUSE	YEL	16
2	10A FUSE TO 12V RELAY TERM 35	YEL	16
3	RELAY TERM 37 TO SPLICE 1	YEL	16
4	SPLICE 1 TO RH B.U.L. TERM 2	YEL	16
5	SPLICE 2 TO RH B.U.L. TERM 1	BLK	16
6	SPLICE 1 TO LH B.U.L. TERM 2	YEL	16
7	SPLICE 2 TO LH B.U.L. TERM 1	BLK	16
8	SPLICE 2 TO 12V NEG CONVERTOR	BLK	16
9	12V POS BATTERY TO FUSE 1A	YEL	16
10	RELAY TERM 80 TO KEYSWITCH - CIRCUIT 30	GRY	16
11	1A FUSE TO RELAY TERM 35	YEL	16

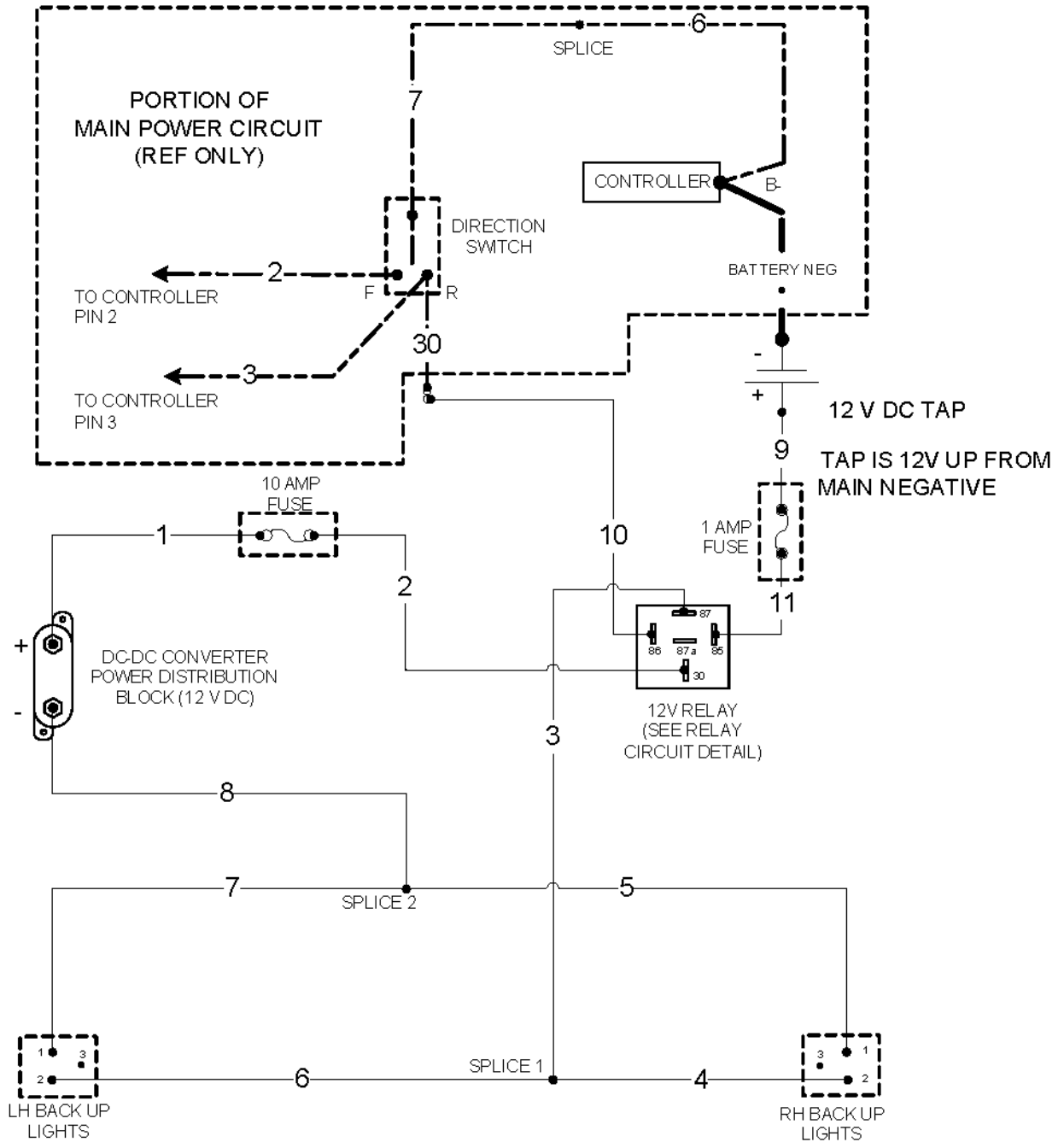


## UNTAPPED BATTERY - AFTER VIN 7C6E4-4ZL0106

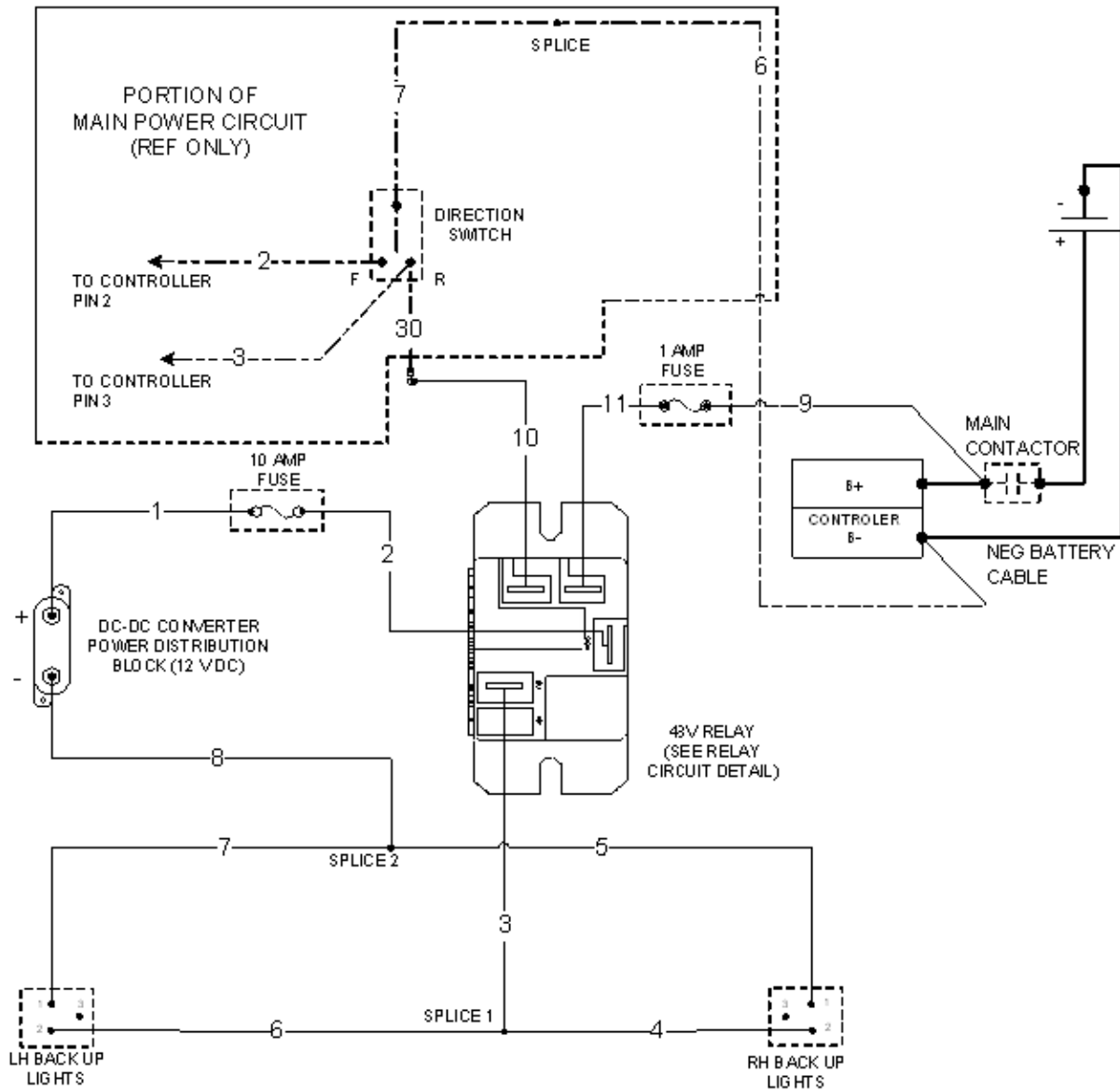
CIRCUIT NO.	DESCRIPTION	WIRE COLOR	WIRE GAGE
1	48V POS DC CONVERTOR TO 1A FUSE	YEL	16
2	1A FUSE TO 48V RELAY COM TERM	YEL	16
3	RELAY NO (NORM OPEN) TERM TO SPLICE	YEL	16
4	SPLICE 1 TO RH B.U.L. TERM 2	YEL	16
5	SPLICE 2 TO RH B.U.L. TERM 1	BLK	16
6	SPLICE 1 TO LH B.U.L. TERM 2	YEL	16
7	SPLICE 2 TO LH B.U.L. TERM 1	BLK	16
8	SPLICE 2 TO 48V NEG CONVERTOR	BLK	16
9	48 POS CONTACTOR TO FUSE 1A	YEL	16
10	RELAY TERM 10 FOR 48V CIR 30	GRY	16
11	1A FUSE TO RELAY COM TERM 48V	YEL	16



## BACK UP LIGHT WIRING SCHEMATIC – C6 WITH DC-DC CONVERTER (Battery Tap)



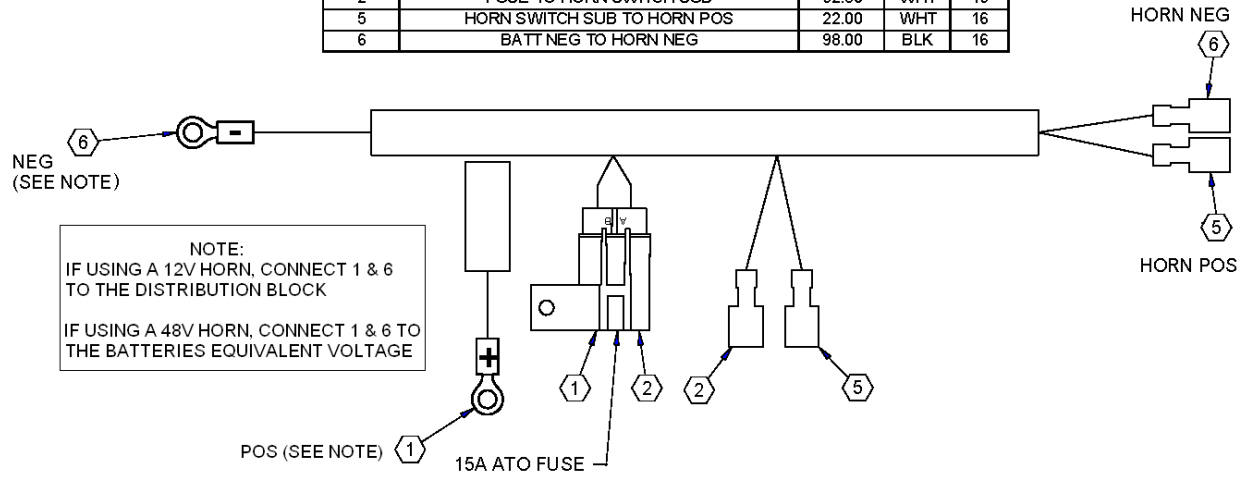
## BACK UP LIGHT WIRING SCHEMATIC – C6 WITH DC-DC CONVERTER (Non-battery Tap)



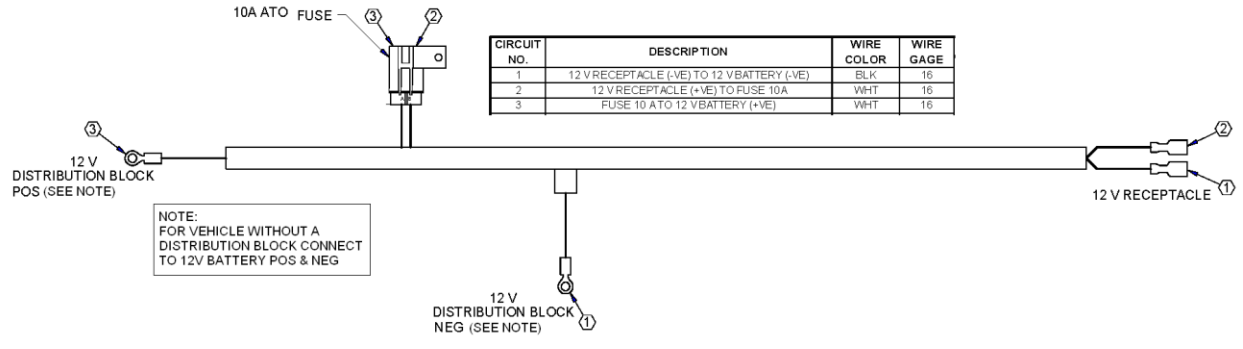


## HORN HARNESS – C6 P/N 69005-00

CIRCUIT NO.	DESCRIPTION	WIRE LENGTH*	WIRE COLOR	WIRE GAGE
1	BATT POS TO FUSE	35.50	WHT	16
2	FUSE TO HORN SWITCH SUB	62.50	WHT	16
5	HORN SWITCH SUB TO HORN POS	22.00	WHT	16
6	BATT NEG TO HORN NEG	98.00	BLK	16

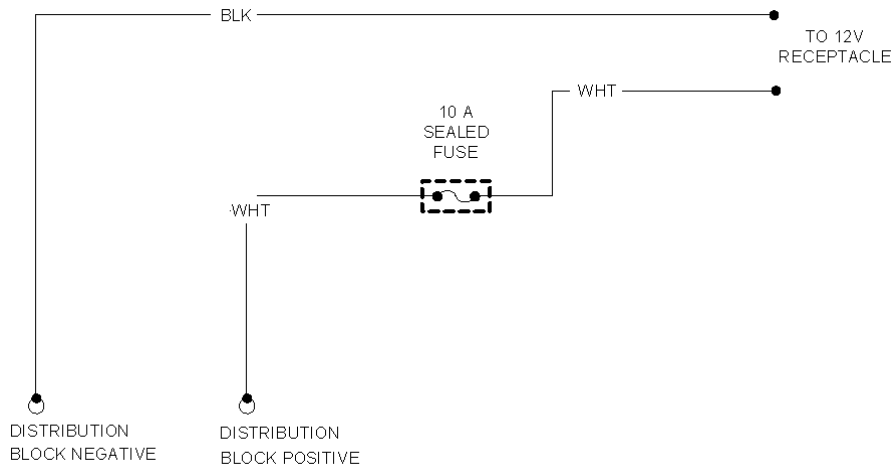


## 12V ACCESSORY OUTLET HARNESS P/N 68879-03



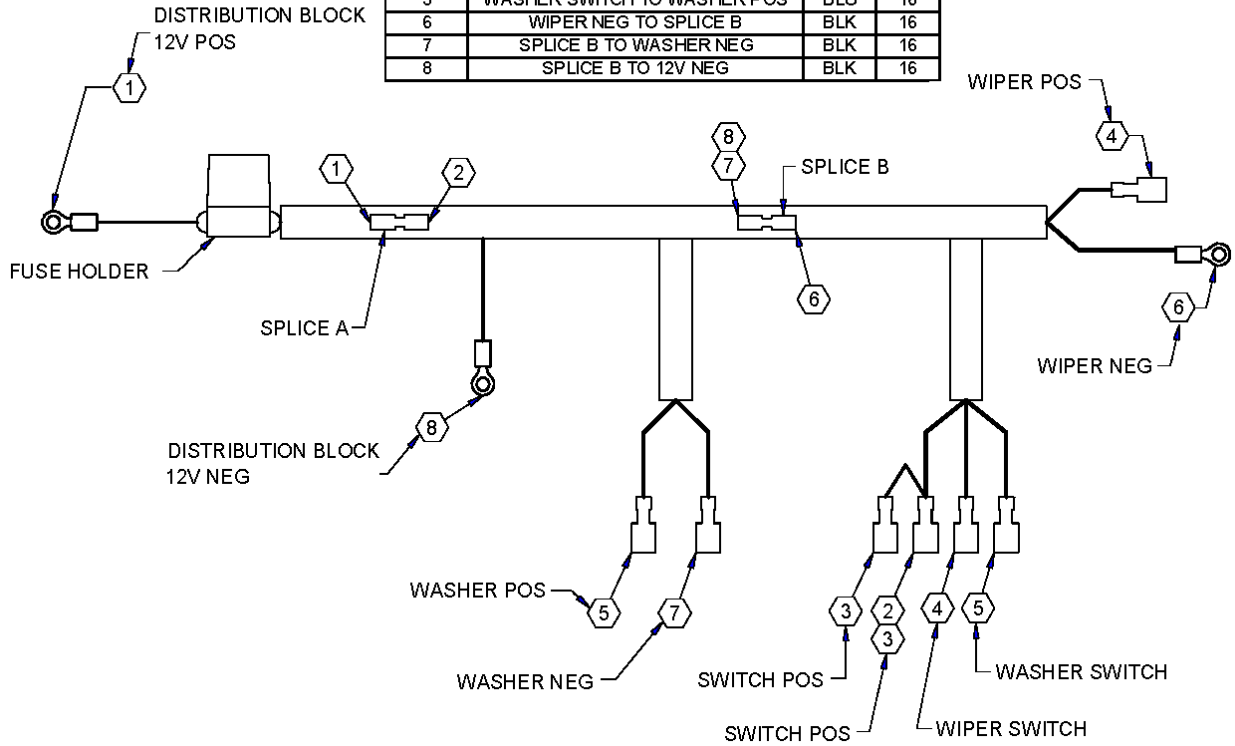
CIRCUIT NO.	DESCRIPTION	WIRE COLOR	WIRE GAGE
1	12 V RECEPTACLE (-VE) TO 12 V BATTERY (-VE)	BLK	16
2	12 V RECEPTACLE (+VE) TO FUSE 10A	WHT	16
3	FUSE 10 A TO 12 V BATTERY (+VE)	WHT	16

## ACCESSORY OUTLET HARNESS SCHEMATIC



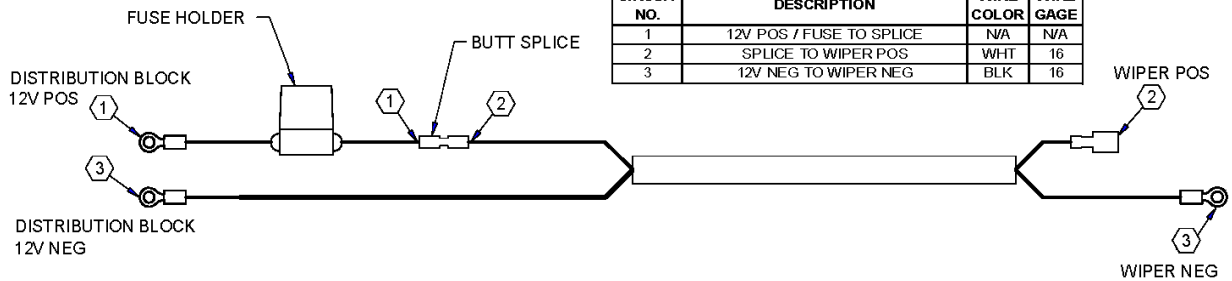
## WIPER/WASHER HARNESS – C6 P/N 58201-10

CIRCUIT NO.	DESCRIPTION	WIRE COLOR	WIRE GAGE
1	12V POS / FUSE TO SPLICE A	N/A	N/A
2	SPLICE A TO SWITCH POS	RED	16
3	SWITCH POS TO SWITCH POS	RED	16
4	WIPER SWITCH TO WIPER POS	WHT	16
5	WASHER SWITCH TO WASHER POS	BLU	16
6	WIPER NEG TO SPLICE B	BLK	16
7	SPLICE B TO WASHER NEG	BLK	16
8	SPLICE B TO 12V NEG	BLK	16

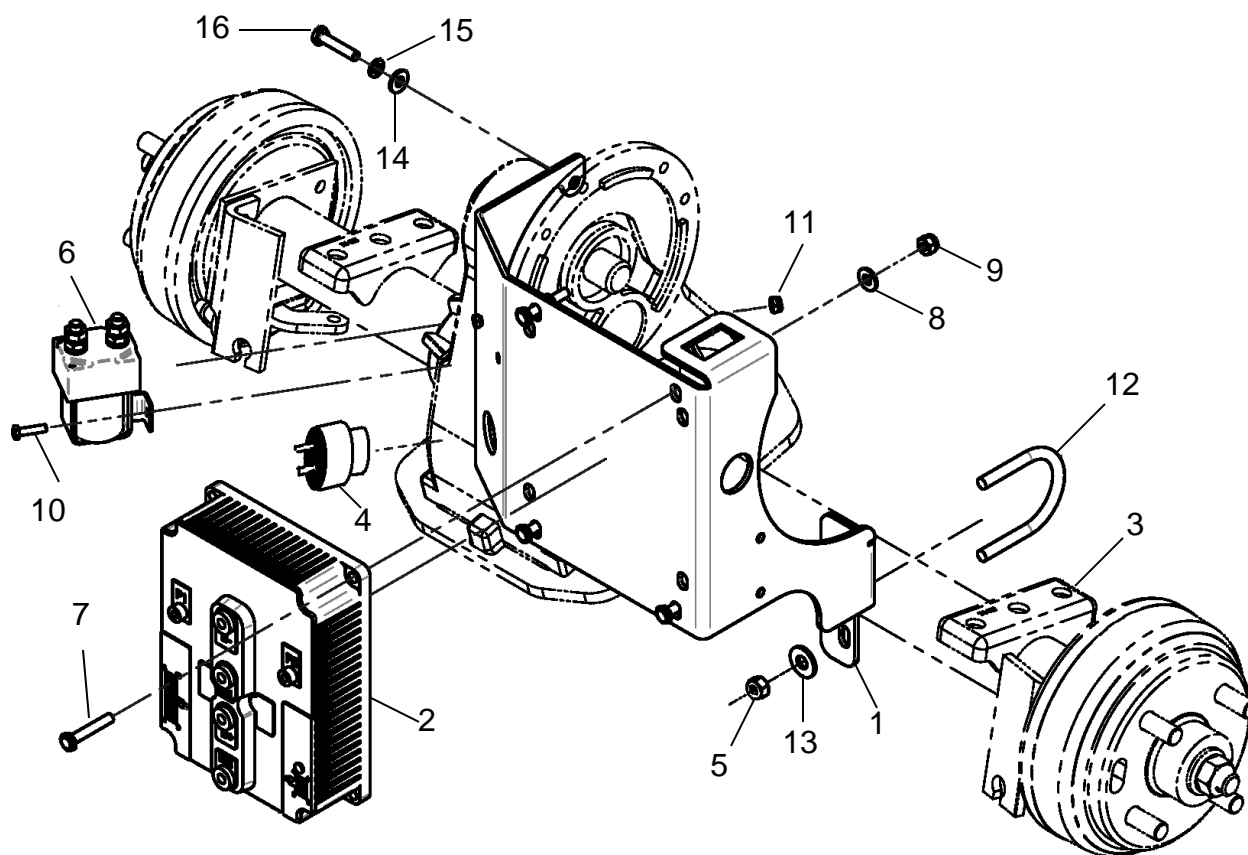


## WIPER MOTOR HARNESS – C6 P/N 84118-96

CIRCUIT NO.	DESCRIPTION	WIRE COLOR	WIRE GAGE
1	12V POS / FUSE TO SPLICE	N/A	N/A
2	SPLICE TO WIPER POS	WHT	16
3	12V NEG TO WIPER NEG	BLK	16



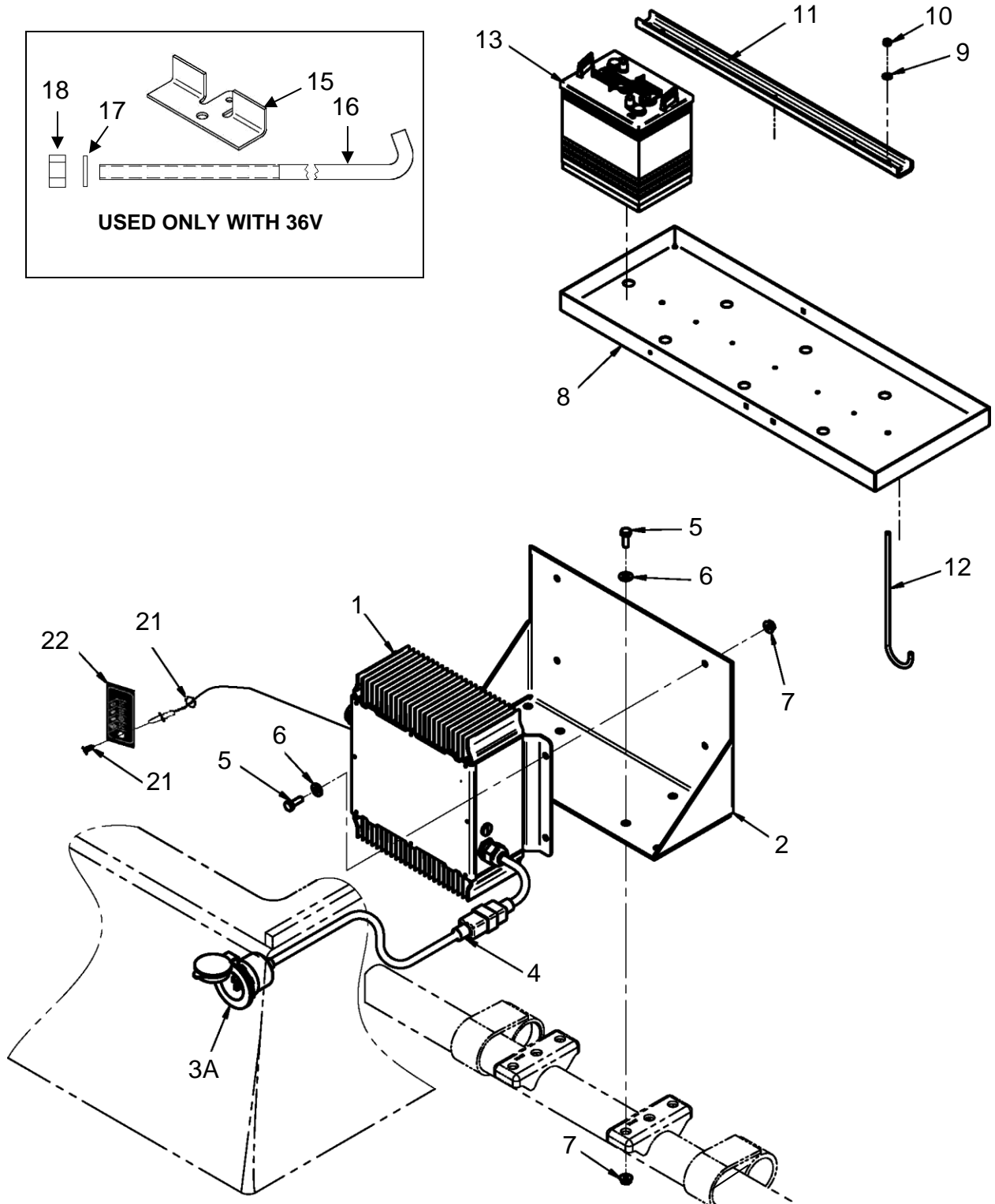
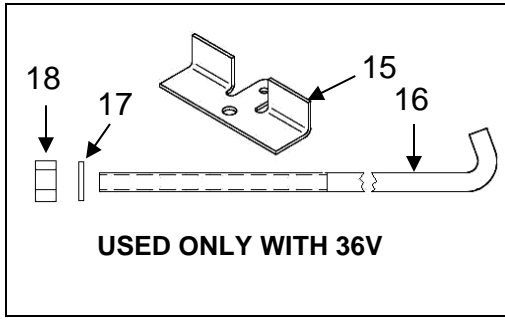
## CONTROL PANEL COMPONENTS



ITEM	CPC P/N	DESCRIPTION	QTY	SEATS P/N
1	71020-01	MOUNTING BRKT - PANEL CONTROLLER	1	510394
2	47895-05A	CONTROLLER, SEVCON REGEN HP, SEPEX 24/-48 (Programmed 760576)	1	467696
3		AXLE, ELECTRIC (See Section 3)	1	
4	71408-96A	ALARM, BACK UP	1	759831
5	7739	NUT, 5/16-18, NE, NYLON INSERT, GA, YWZC	2	719892
6	71455-01A	CONTACTOR W/ MTG BRKT - 24 V (SW80)	1	709166
7	2551-W	SCREW, 1/4-20X1, HHCS,G5, YWZC	4	719564
8	6703-B	WASHER FLAT STL 1/4 SAE - BLK	4	719811
9	7686	NUT 1/4-20 NYLOCK, GA YWZC	4	719879
10	2685-W	SCREW, #10-24 X 5/8 HWH TRD ROL	2	719586
11	7624	NUT, #10-24 GR A NM MACH NYLON LOCK	2	719870
12	5211	U-BOLT, #014,ZC	1	719734
13	6000-B	WASHER, 5/16,USS, STD, F/W BLK MAX	2	719771
14	708616	SCREW, 1/4-20 X 1 1/4" HHCS, G5, YWZC150	3	708616
15	7036-B	WASHER, LOCK 1/4 BLACK ZINC	3	719834
16	6703-B	WASHER, FLAT STL 1/4 SAE- BLK	3	719811

\* NOT SHOWN

# CHARGER & BATTERY – C6



**CHARGER & BATTERY – C6 (Cont.)**

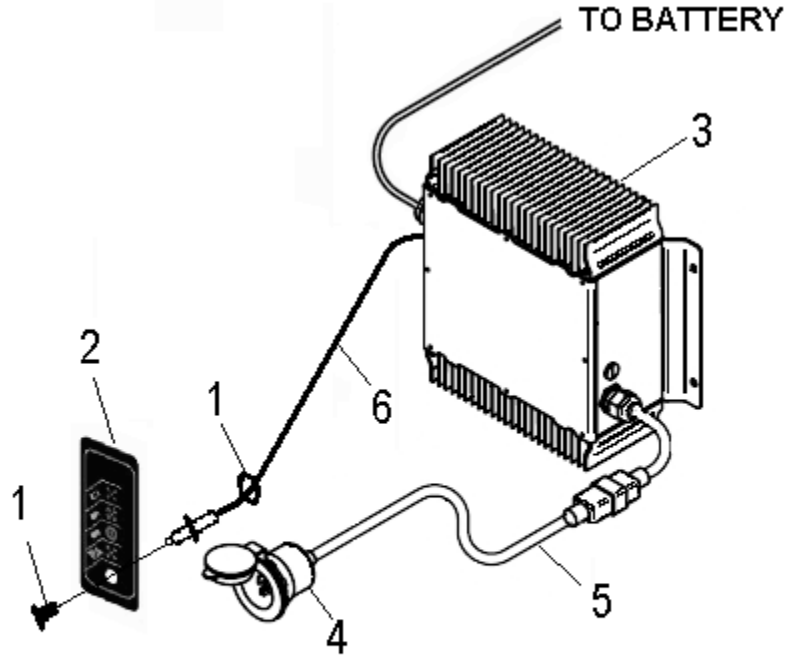
ITEM	CPC P/N	DESCRIPTION	QTY	SEATS P/N
1**	66501-12	CHARGER, DELTA Q 36V W/LED, STANDARD	1	760743
1A**	66583-12	CHARGER, DELTA Q 48V W/LED, STANDARD	1	760742
1B**	66582-12	CHARGER, DELTA Q 48V W/LED, AGM	1	467839
2	66437-03	BRACKET, CHARGER MOUNT, DELTA Q	1	307471
3	70036-05	CHARGER CORD W/RECEPTACLE ASSY (Includes 3A & 4)	1	467405
3A	66034-02	RECEPTACLE, POWER INLET (120V) W/ HARDWARE	1	709558
4	66493-03	CHARGER CORD, 6 FT 14/3 WIRE BLACK	1	719264
5	3787-B	SCREW, HEX HEAD CAP 1/4-20 X 3/4 G5	8	719636
6*	6703-B	WASHER FLAT STL 1/4 SAE UNHARD BLK	8	719811
7	7724-B	NUT 1/4-20 GR A SERRATED FLNG LOCK	5	719887
8	47105-10	BATTERY TRAY	1	309820
9	708859-SW	WASHER, 3/8", STD FLAT, STAINLESS	2	708859
10	708860-LN	NUT, 3/8-16 NYLOCK	2	708860
11	47711-98A	HOLD DOWN, BATTERY	1	709196
12	66561-02	J-HOOK, Ø2.60 X 13.86	2	708862
13	66014-03	BATTERY, 6V, DC, US2200	6/8	719229
13A	66200-10	BATTERY, 6V DC, SEALED, AGM, GC2	6/8	760586
13B	66005-03	BATTERY, 6V DC, US145	6	719231
*14	70099-88	CABLE, 4GA, 8.75"	5/7	709004
15	66385-00	BATTERY TRAY SUPPORT	2	510353
16	66561-90A	ROD, BATTERY HOLD DOWN	1	709059
17	6256	WASHER, FLT, SS .28X1.375X.06	1	719786
18	7680	NUT, 1/4-20 SS, NYLOCK	1	719876
*19	66493-67A	EXTENSION CORD	1	709890
*20	66100-10	EXTENSION CORD 9' W/GFIC	1	760620
21	9951	CR-174 CLIP & RING	1	781989
22**	66584-12	LED FRONT LABEL	1	760754
23*	10043	CABLE TIE	8	719504
24*	6085	WASHER, 5/16 LOCK (Used with Item 13A)	12/16	781621

\* NOT SHOWN

**\*\*NOTES:**

1. See Service Bulletin SB11-004 if replacing a non-led charger.
2. LED & label position will be located adjacent to the charger receptacle

**CHARGER WITH REMOTE LED – C6**



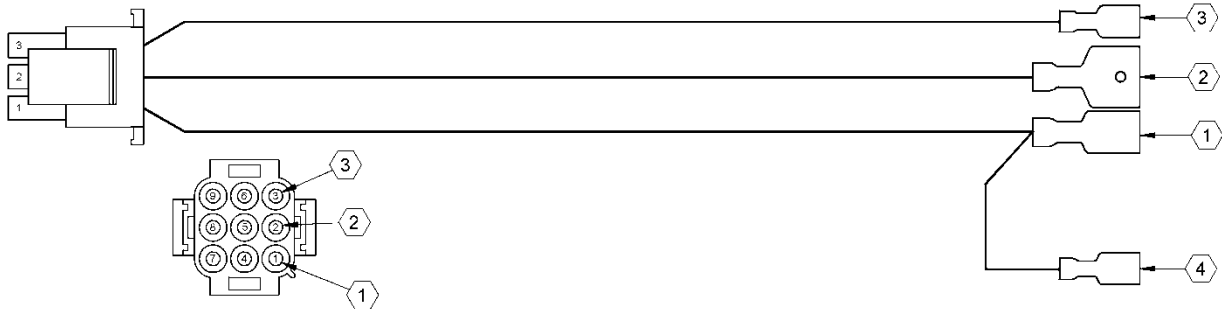
**LED & LABEL POSITION WILL BE LOCATED  
ADJACENT TO THE CHARGER AC RECEPTACLE**

ITEM	CPC P/N	DESCRIPTION	QTY	SEATS P/N
1	9951	CR-174 CLIP & RING	1	781989
2	66584-12	LED FRONT LABEL	1	760754
3	66501-12	CHARGER, 36V W/LED, STANDARD	1	760743
3A	66583-12	CHARGER,-48V W/LED, STANDARD	1	760742
3B	66582-12	CHARGER, 48V W/LED, AGM	1	467839
4	66034-02	PLUG, POWER INLET 120V SEALED	1	709558
5	66493-03	CHARGER CORD 6'	1	719264
6	66029-12	LED 25' CABLE	1	760817
N/A	70036-05	ASSEMBLY, CORD W/ RECEPTACLE (Includes Item 4 & 5)	1	467405

**NOTE: SEE SERVICE BULLETIN SB11-004 IF REPLACING A NON-LED CHARGER.**

## HARNESS, POT BOX ADAPTER – C6 P/N 71001-10

CIRCUIT NO.	DESCRIPTION	WIRE LENGTH *	WIRE COLOR	WIRE GAGE
1	CONNECTS TO POT LEAD BLACK	8.00	BLK	16
2	CONNECTS TO POT LEAD WHITE	8.00	GRN	16
3	CONNECTS TO PEDAL SWITCH	8.00	WHT	16
4	CONNECTS TO PEDAL SWITCH	4.00	BLK	16



**SHUTTLE**  
**Parts Manual**

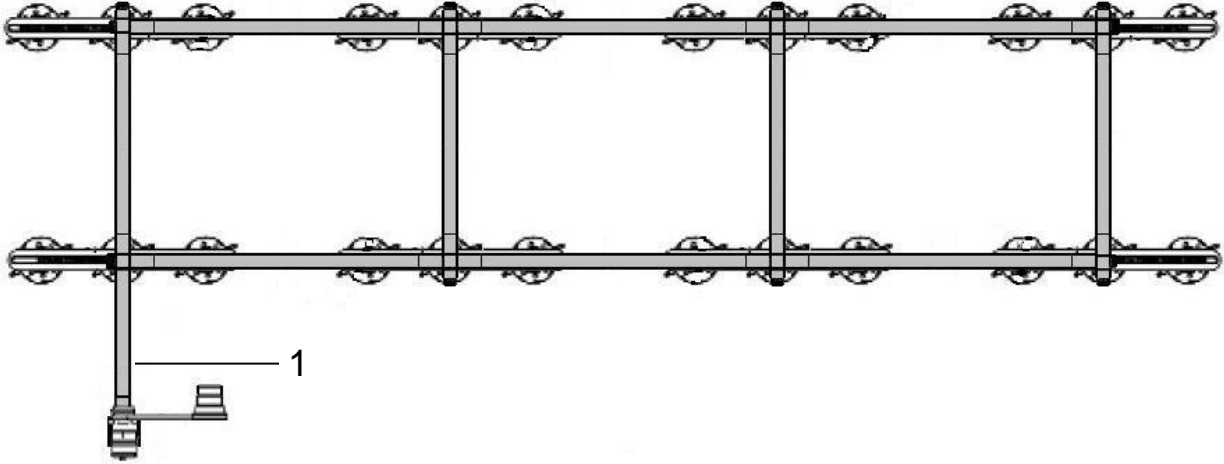
**Section 6**

**Accessories**

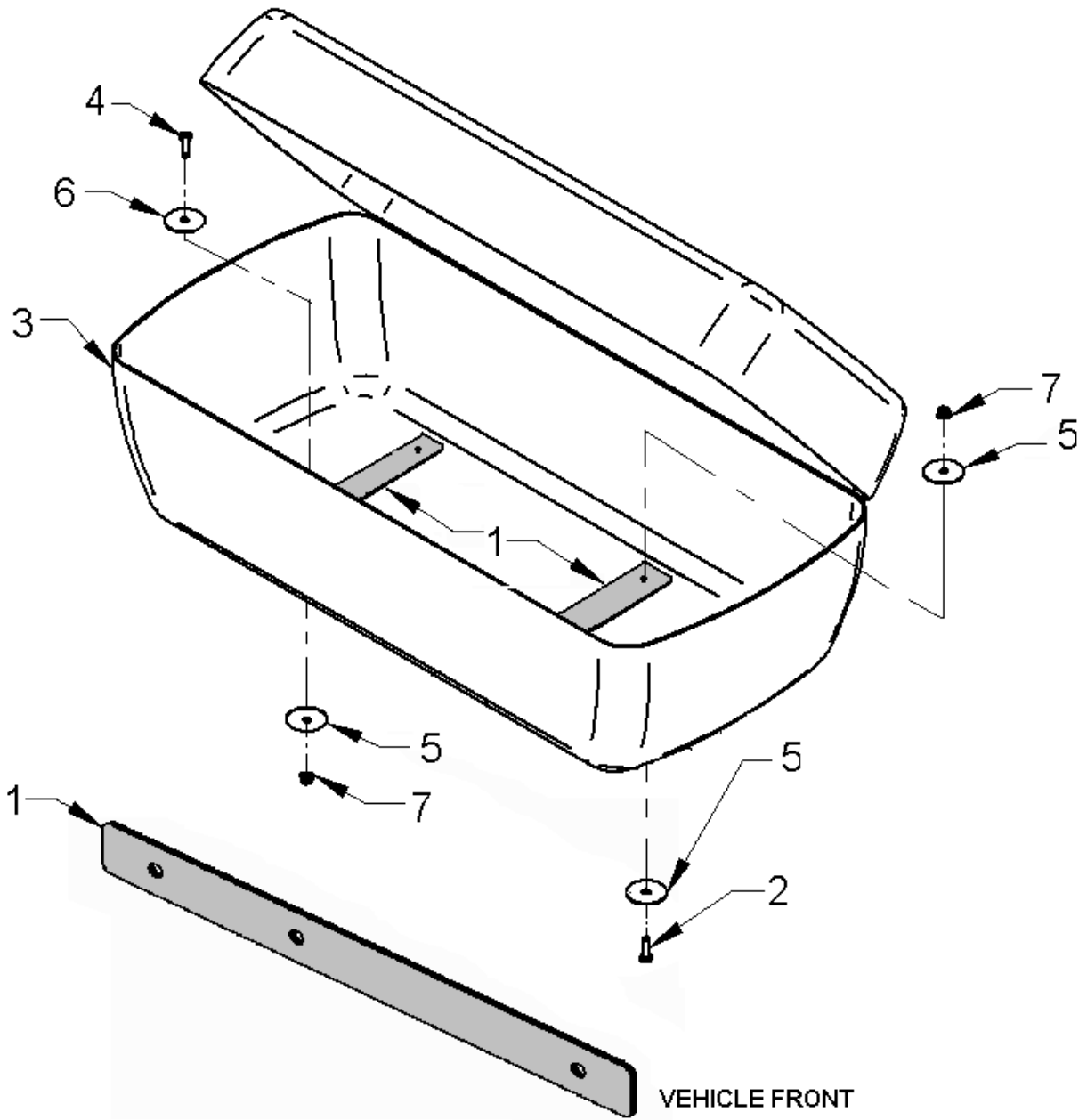


BATTERY WATERING SYSTEM – C6

ITEM	CPC P/N	DESCRIPTION	QTY	SEATS P/N
1	66210-07	WATERING ASSEMBLY	1	759857
2	66211-07	PUMP	1	759858

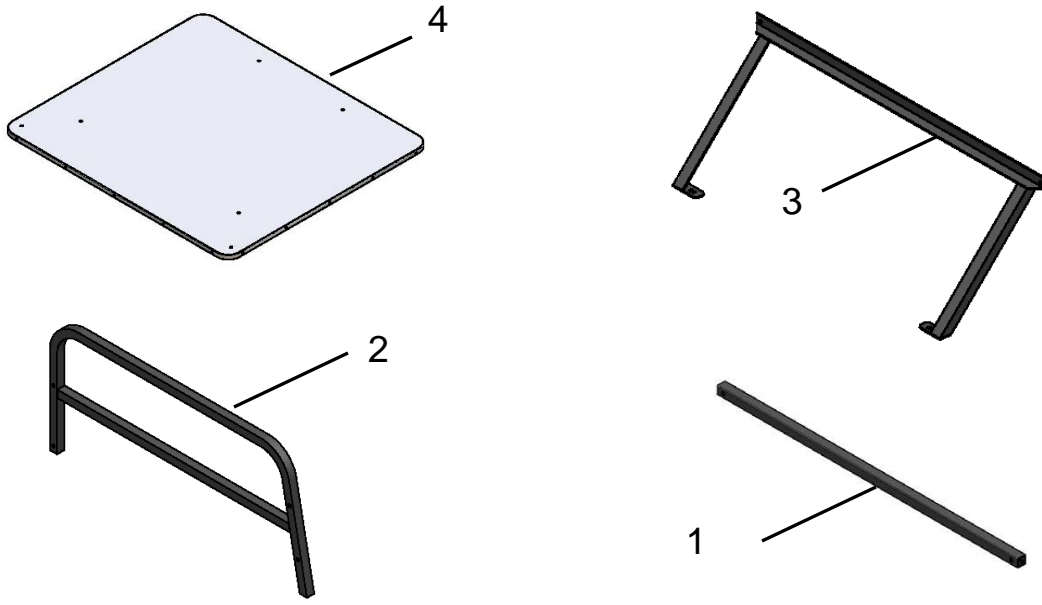


TRUNK – C6



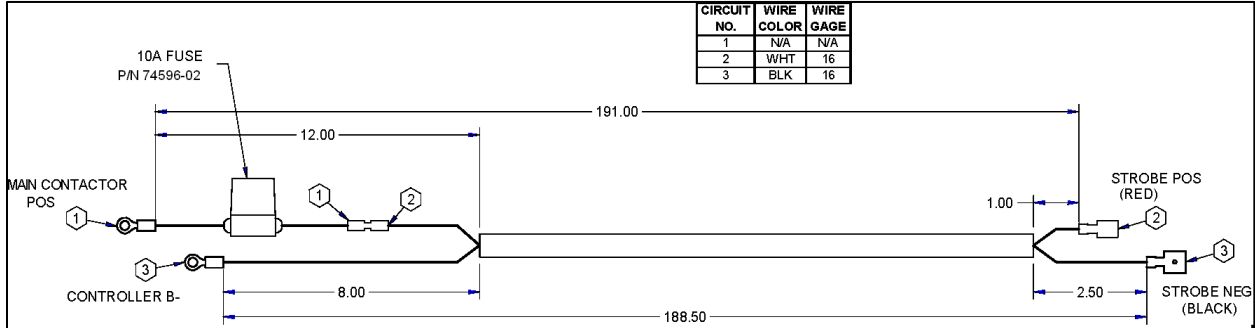
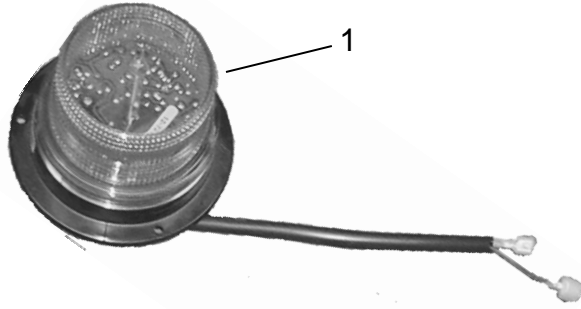
ITEM	CPC P/N	DESCRIPTION	QTY	SEATS P/N
1	N/A	TRUNK BRACKET	2	509944
2	4017	SCREW, 5/16-18X1 HHCS G8	2	708085
3	50632-03	LOCKABLE TRUNK	1	719328
4	3412	SCREW, 5/16-18X2 1/2 HHCS G8	4	719613
5	6000-B	WASHER 5/16	8	719771
6	6412	WASHER, FLT STL .375X1.95X.06	4	719795
7	7739	NUT, 5/16-18 NYLOCK	6	719892
8	50631-06	KIT, LOCKABLE TRUNK (Contains Items 1 – 7)	1	190708U

### CARGO SIDES – C6



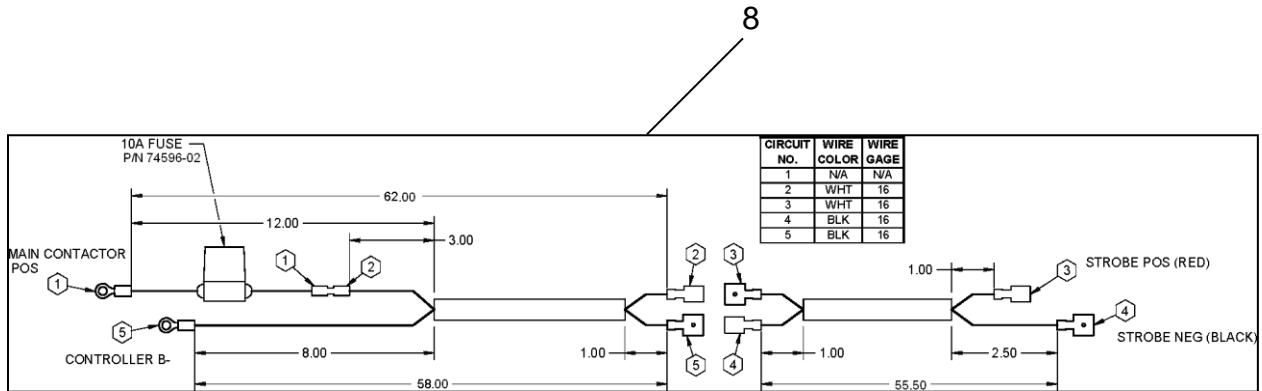
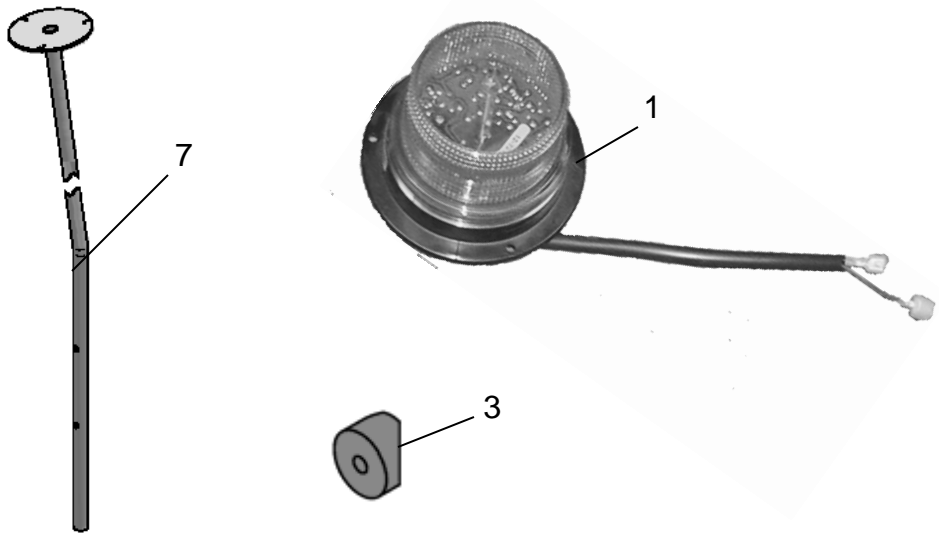
ITEM	CPC P/N	DESCRIPTION	QTY	SEATS P/N
1	N/A	X-BRACE	1	304284
2	85002-93	SI PANEL	2	304285
3	N/A	RACK BRACE	1	304302
4	N/A	LUGGAGE RACK DECK ASSEMBLY	1	464711
5*	31067-63	WASHER, .334X1.64X.70 STL	2	719597
6*	4086	SCREW, 5/16-18X3 HHCS G5	2	719654
7*	5207-BS	SCREW, 5/16-18X2 PPH	2	719730
8*	5208-B	SCREW, 5/16-18X2 1/2 PPH	2	719731
9*	5447-BS	SCREW, 5/16-18X2 1/2 CARR G5	2	719749
10*	6000-B	WASHER 5/16	2	719771
11*	7041-B	WASHER 5/16 R-SPLIT	6	719838
12*	7748-B	NUT 5/16-18 FFHEX G5	4	719896
13*	85020-93	KIT, LUGGAGE RACK (includes Items 1 – 12)	1	191016U

## AMBER STROBE LIGHT CAB/SUNTOP -C6



ITEM	CPC P/N	DESCRIPTION	QTY	SEATS P/N
1	68029-06	STROBE LIGHT ASSY	1	467408
2*	10043	CABLE TIE	2	719504
3*	10008	CABLE TIE 5 3/4"	2	719501
4*	10020	CABLE TIE MOUNTING BRACKET	2	719503
5	**	HARNESS, LIGHT CAB	1	467409
6*	2339	SCREW, #10-24X3/4, HH	3	719551
7*	7624	NUT, 1/4-20 NYLOCK	3	719870
8*	6716	WASHER #10	3	719812
9*	68831-97	KIT, STROBE LIGHT AMBER CAB	1	190937U

## AMBER STROBE LIGHT W/MAST – C6



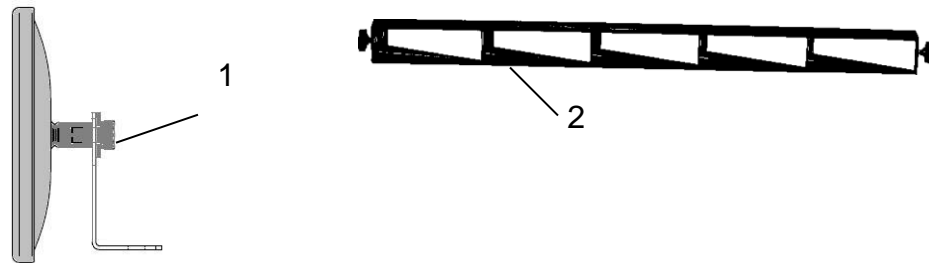
ITEM	CPC P/N	DESCRIPTION	QTY	SEATS P/N
1	68029-06	STROBE LIGHT ASSY	1	467408
2*	10043	CABLE TIE	2	719504
3	5717	PLASTIGUIDE	2	719762
4*	7686	NUT, 1/4-20 NYLOCK	2	719879
5*	11416	GROMMET 3/8X7/8	1	719522
6*	2595	SCREW, #10-24X1, PPH	3	719567
7	68505-97	LIGHT POLE (Mounts to body with Items 3, 4 & 9)	1	305177
8	N/A	HARNASS, LIGHT MAST	1	464040
9*	3650	SCREW, 1/4-20X3 HHCS G5	2	719627
10*	6703-B	WASHER 1/4	4	719811
11*	7624	NUT, 10-24 NYLOCK	3	719870
12	68829-97	KIT, POLE STROBE LIGHT	1	190807U

\* NOT SHOWN

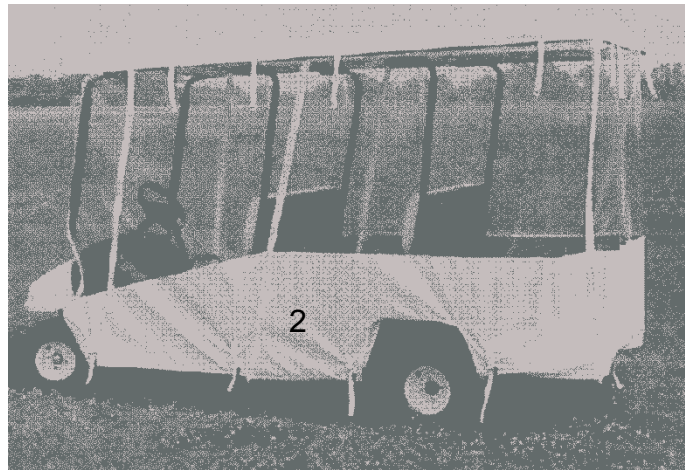
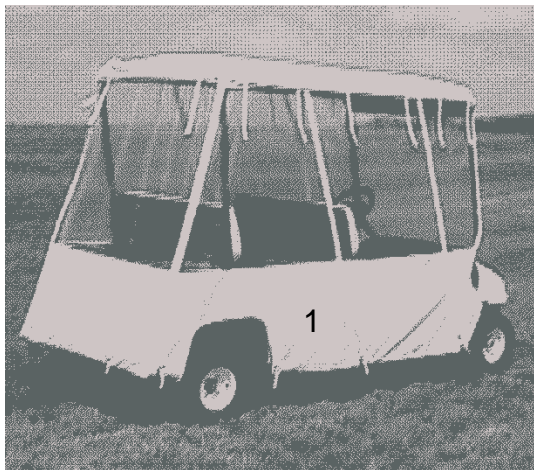
## MIRRORS w/SUNTOP – C6

ITEM	CPC P/N	DESCRIPTION	QTY	SEATS P/N
1	91876-00	SIDE MIRROR, 5" ROUND (Requires Suntop)	2	709437
2	84270-98	5 PANEL REAR VIEW MIRROR (Requires Suntop)	1	709408
3*	57111-11	SCREW 5/16-18X1 1/2 HHC G8 (Use with 1 & Bench Seats)	2	781924
4*	6000-B	WASHER, 5/16 (Use with 1 & Bench/Bucket Seats)	2	719771
5*	7525	NUT 5/16 SERR. FLNG LOCK (Use with 1 & Bench Seats)	2	719864
6*	4017	SCREW, 5/16-18X1 HHC (Use with 1 & Bucket Seats)	2	708085
7*	7041-B	WASHER 5/16 LOCK (Use with 1 & Bucket Seats)	2	719838
8*	51000-10	MOUNTING BRACKET (Use with 2)	1	510334
9*	3787-B	SCREW 1/4-20X3/4 HHC(Use with 2)	2	719636
10*	50190-86	NUT, JACK #8(Use with 2)	2	719717
11*	6703-B	WASHER 1/4 (Use with 2)	2	719811
12*	7036-B	WASHER, LOCK (Use with 2)	2	719834
13*	64008-10	KIT, SIDE MIRROR, BUCKET (Includes Items 1, 4, 6, & 7)	1	191227U
14*	91874-10	KIT, SIDE MIRROR, BENCH (Includes Items 1, 3, 4, & 5)	1	190926U
15*	84288-98	KIT, 5 PANEL MIRROR (Includes Items 8 thru 12)	1	190928U

\* NOT SHOWN

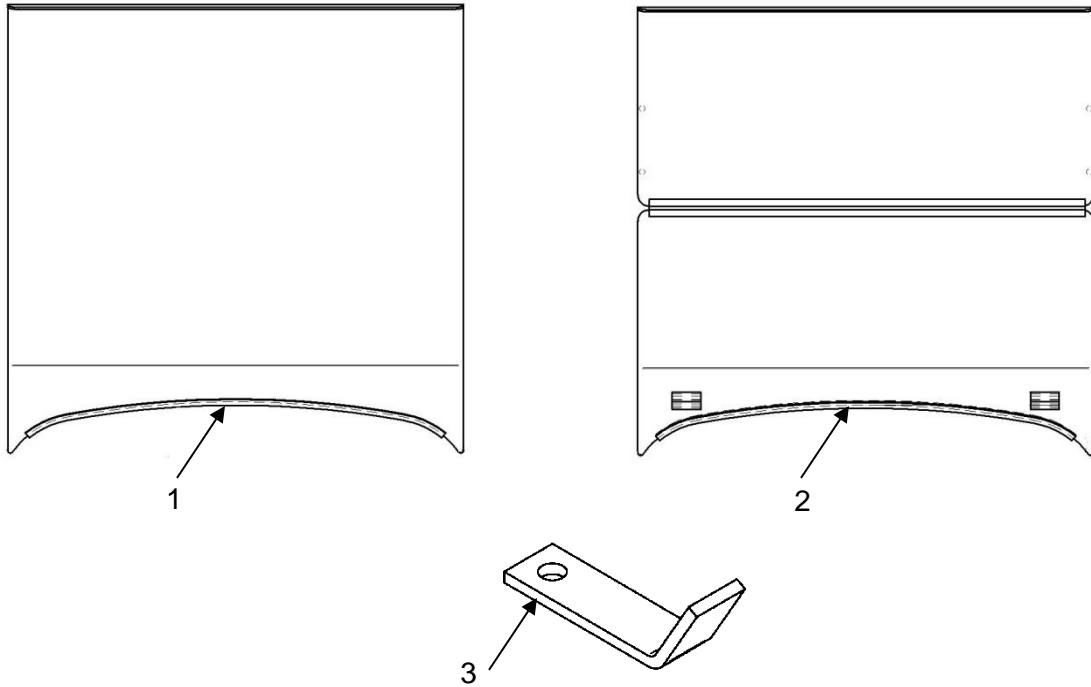


## ENCLOSURES – C6



ITEM	CPC P/N	DESCRIPTION	QTY	SEATS P/N
1	11620-98	80" ENCLOSURE W/O REAR FACING SEATS	1	729057
2	11612-96	115" ENCLOSURE W/ REAR FACING SEATS	1	729056

## WINDSHIELDS -C6



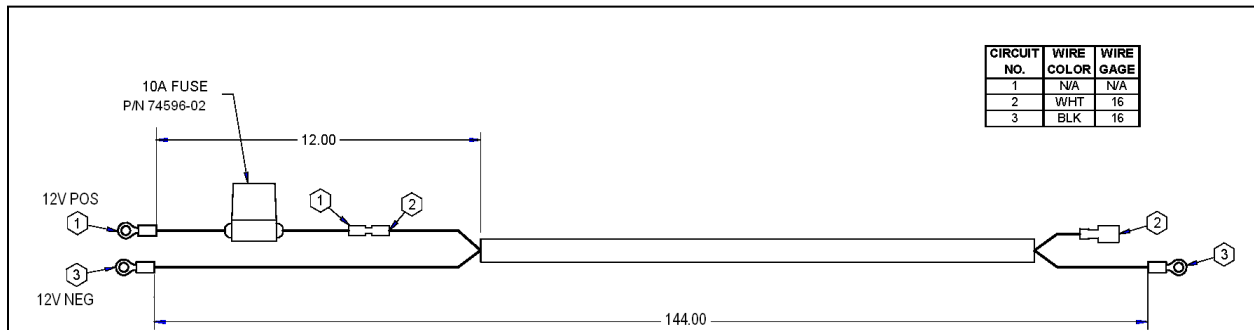
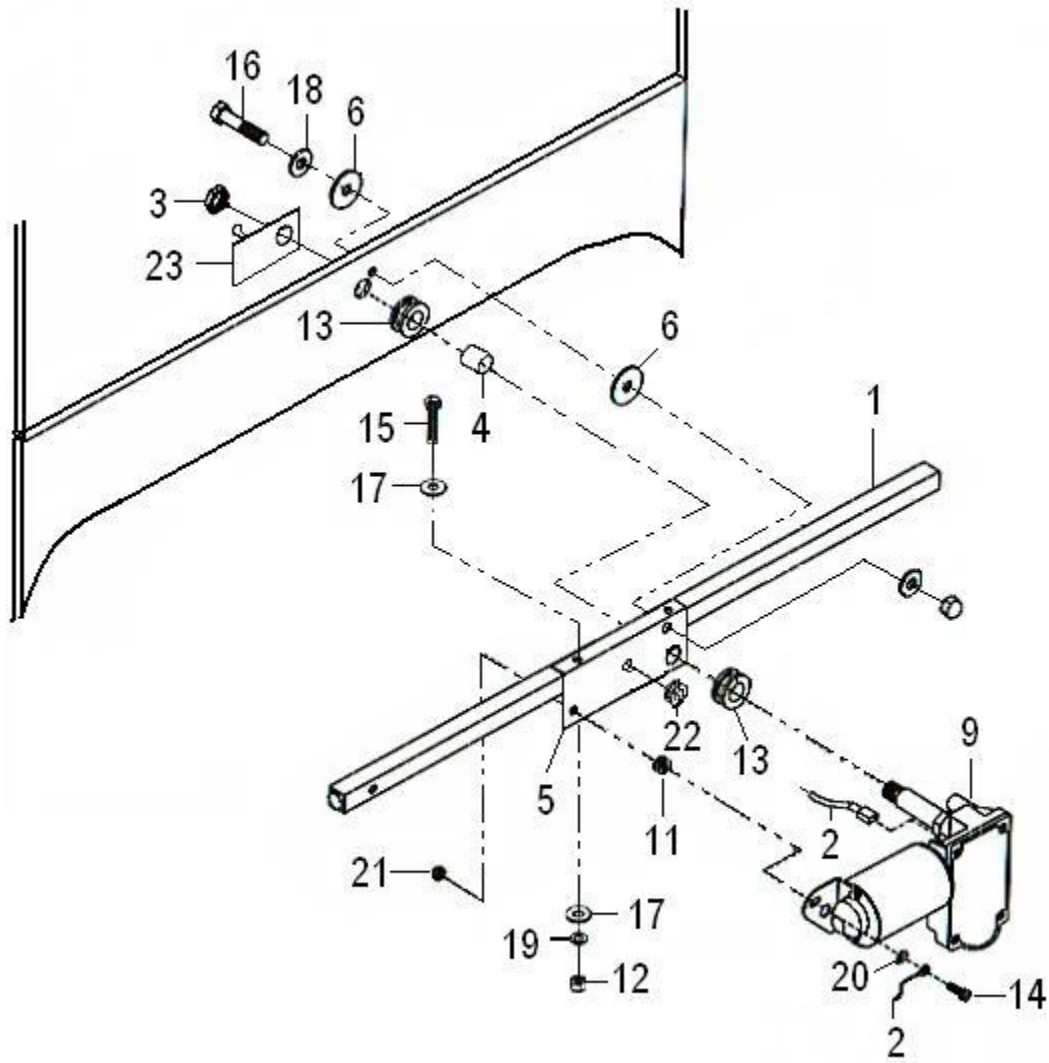
ITEM	CPC P/N	DESCRIPTION	QTY	SEATS P/N
1	58019-98	WINDSHIELD, HARDCOAT 40" (See Note)	1	709432
1A	58018-98	WINDSHIELD, ACRYLIC 40" (See Note)	1	709422
1B	**	WINDSHIELD, HARDCOAT 40" FOR WIPER (See Note)	1	463549
2	58028-98	WINDSHIELD, FOLDING, TINTED (See Note)	1	709359
3	42530-98	BRACKET	1	510343
4*	52330-86	BUMPER	5	719738
5*	8675	RIVET	1	719944
6*	58430-90	SIDE EXTRUSION, 24" (Used with Items 1 & 1A)	2	739716
7*	58431-90	SIDE EXTRUSION TOP 12" (Used with Items 2 & 2A)	2	739717
8*	58432-96	SIDE EXTRUSION BOTTOM 2" (Used with Items 2 & 2A)	2	739718
9*	58038-98	KIT, WINDSHIELD, HARDCOAT 40" (Includes Items 1, 3, 4, 5 & 6) (See Note)	1	190794U
10*	58020-98	KIT, WINDOWSHIELD, ACRYLIC 40"(Includes Items 1A, 3, 4, 5 & 6) (See Note)	1	190793U
11*	58052-98	KIT, WINDSHIELD, FOLDING, TINTED (Includes Items 2, 3, 4, & 5) (See Note)	1	191080U

\* NOT SHOWN

\*\* SPECIAL ORDER

NOTE: Items cannot be shipped UPS. Ship via freight or local pickup.

# WINDSHIELD WIPER - C6



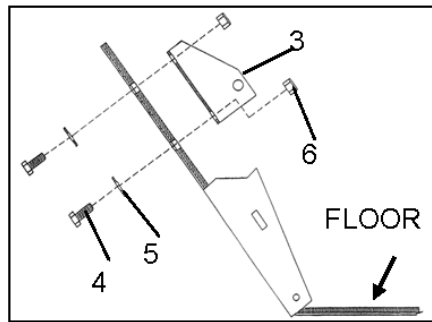
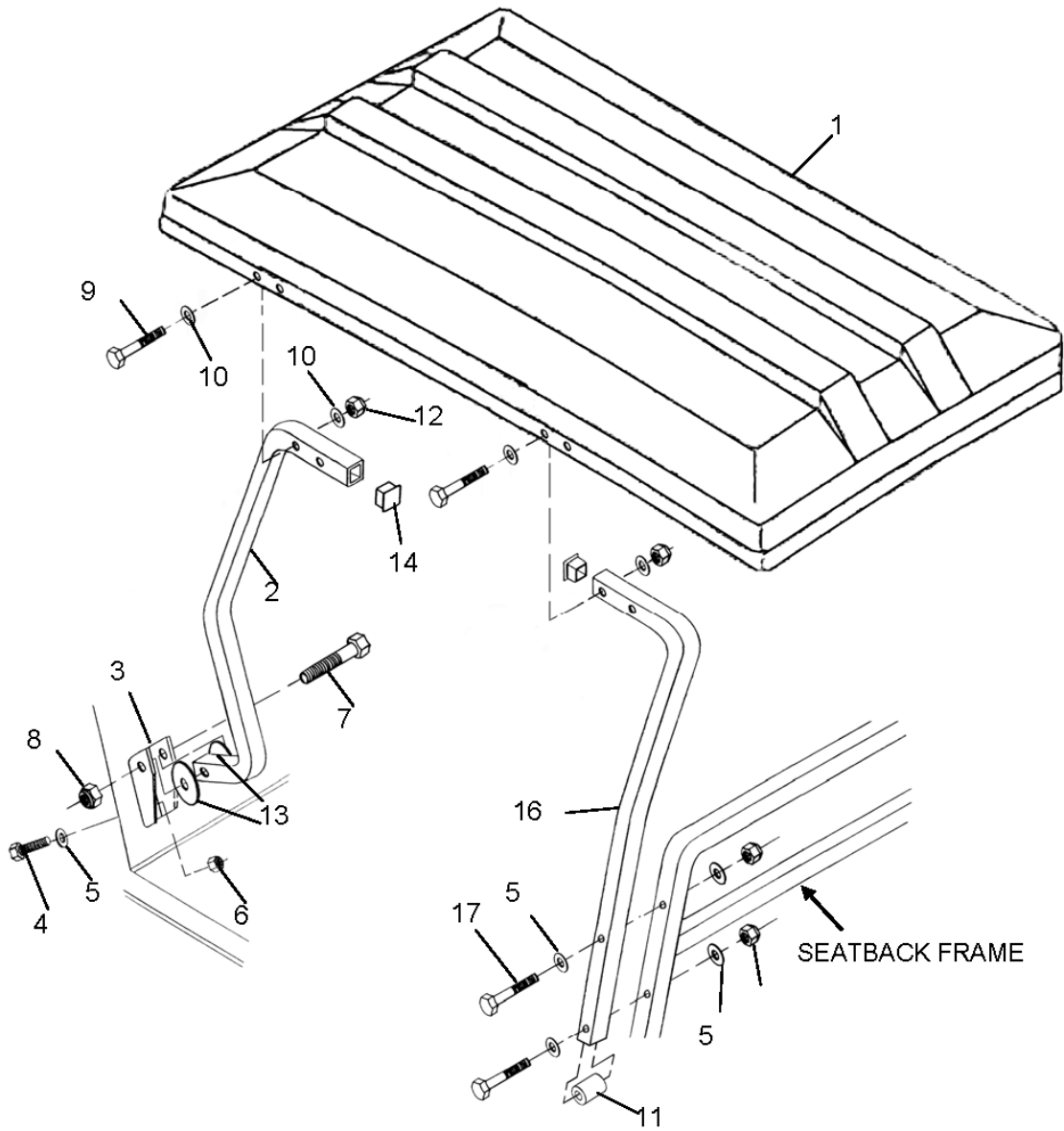


**WINDSHIELD WIPER C6 Cont.**

<b>ITEM</b>	<b>CPC P/N</b>	<b>DESCRIPTION</b>	<b>QTY</b>	<b>SEATS P/N</b>
1	57974-02	WIPER BAR	1	307119
2	84118-96	MOTOR WIPER WIRING HARNESS	1	464578
3	7735-B	CROWN NUT, 3/8-16 (Supplied with Item 9)	1	719891
4	5712	WIPER SPACER	1	508993
5	84117-92A	MOTOR MOUNTING BRACKET	1	510271
6	89470-74	WASHER, NEOPRENE	2	709003
7*	84168-01	WIPER ARM	1	709268
8*	84169-01	18" WIPER BLADE	1	709269
9	84111-92	WIPER MOTOR	1	709592
10*	10043	CABLE TIES 11 3/4"	9	719504
11	11409	RUBBER GROMMET	1	719520
12	7748-B	NUT, HEX, BLK	2	719896
13	11446	RUBBER GROMMET	2	719529
14	2665	SCREW, 10-24X5/8" PH	1	719584
15	2818	SCREW, 5/16-18X1 1/2"	4	781924
16	3775	SCREW, 3/8-16X2" HC	1	719634
17	6000-B	WASHER, FLAT 5/16"	6	719771
18	6416	WASHER, FLAT 3/8"	2	719796
19	7041-B	LOCK WASHER 5/16"	4	719838
20	7220	LOCK WASHER, ITEM # 10 EXTERNAL TOOTH	1	719851
21	7624	NYLOCK NUT 10-24	1	719870
22	11416	3/8X7/8 GROMMET	1	719522
23	N/A	BRACKET (Supplied with Item 7)	1	N/A
24	N/A	INSTRUCTION SHEET	1	712061
N/A	84167-01	KIT, WINDSHIELD WIPER (Includes above items)	1	190809U

\* NOT SHOWN

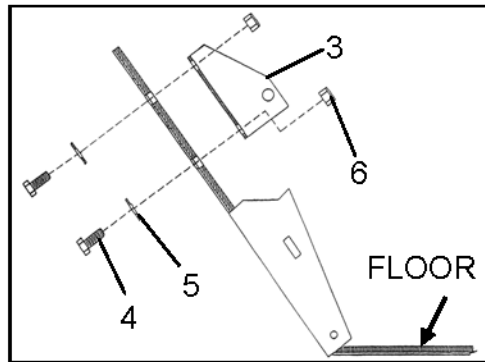
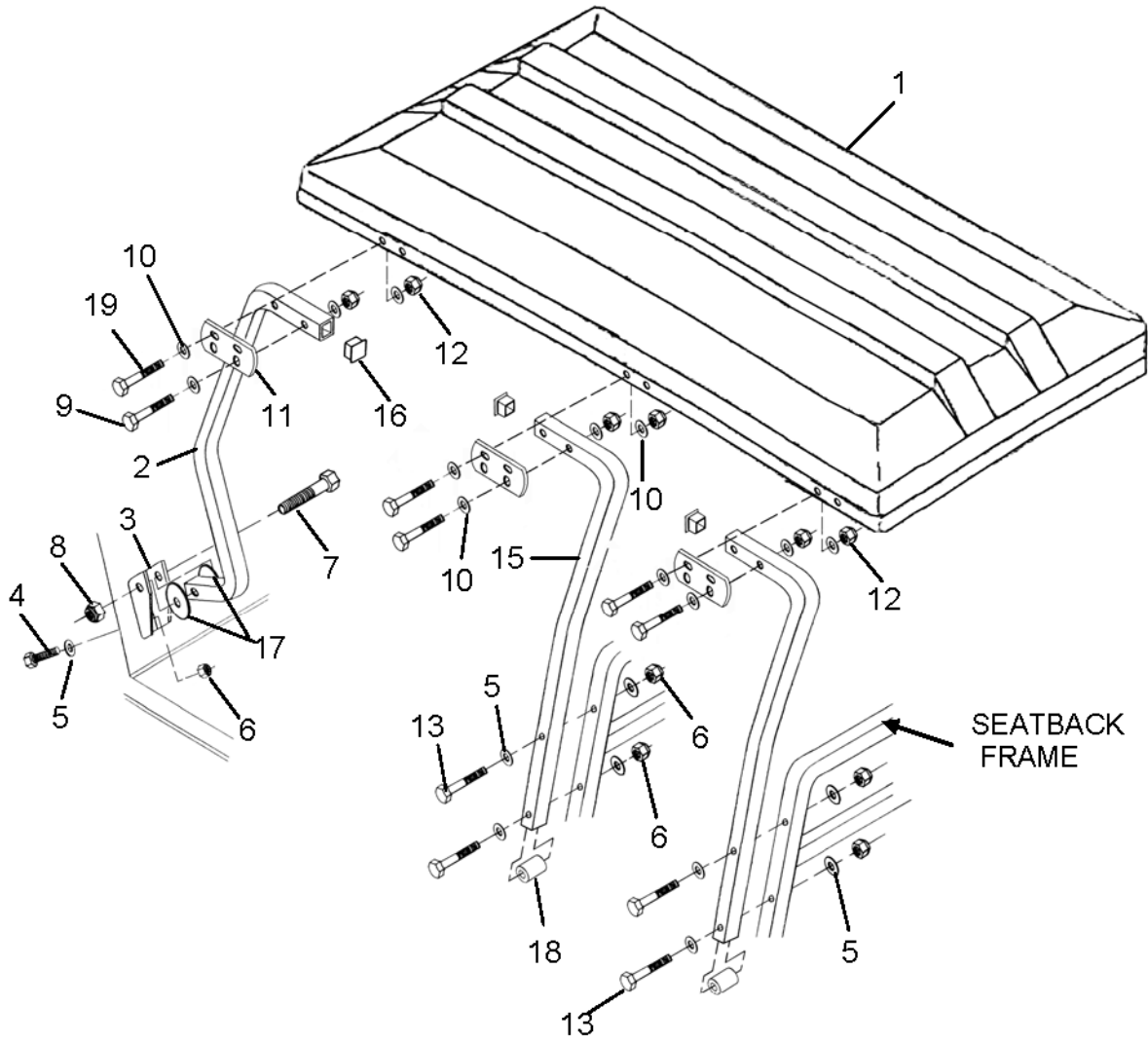
# 80" SUNTOP, BENCH - C6



**80" SUNTOP, BENCH – C6 Cont.**

<b>ITEM</b>	<b>CPC P/N</b>	<b>DESCRIPTION</b>	<b>QTY</b>	<b>SEATS P/N</b>
1	89547-98	80" SUNTOP BIRCH	1	464963
1A	89416-98	80" SUNTOP WHITE	1	467046
2	89406-98	FRONT SUNTOP SUPPORT	2	510333
3	89537-96	SUNTOP TUBE BRACKET	2	510318
4	3991	SCREW 5/16-18 X 7/8" HEX	4	719643
5	6000-B	WASHER, ¼ W, PLAIN	12	719771
6	7739	LOCKNUT. 5/16-18 NYLOK	4	719892
7	4720-B	SCREW, 3/8-16 X 3/4" BLACK	2	719696
8	7778	LOCKNUT. 3/8-16 NYLOK	2	719902
9	3768	SCREW, ¼-20 X 2 1/2 HHC	8	719631
10	6703-B	WASHER, ¼ N-PLAIN	40	719811
11	5713	SPACER, .3/8 ID X 27/32 LONG	2	510322
12	7692	NUT, 1/4-20 NYLOCK	20	719882
13	6346	WASHER, NYLON	4	719791
14	11433	PLUG FINISH, 7/8"	4	719526
15*	89403-96	REAR SUNTOP TUBE SUPPORT (RH)	1	510332
16	89400-96	REAR SUNTOP TUBE SUPPORT (LH)	1	510331
17	5208-B	SCREW 5/16-18X2 1/2	4	719731
18	7739	NUT 5/16-18 NYLOCK	8	719892
19	N/A	INSTALLATION INSTRUCTIONS	1	712149
20	89412-98	KIT, 80" SUNTOP BIRCH	1	191018U
21	89415-98	KIT, 80" SUNTOP WHITE	1	191019U

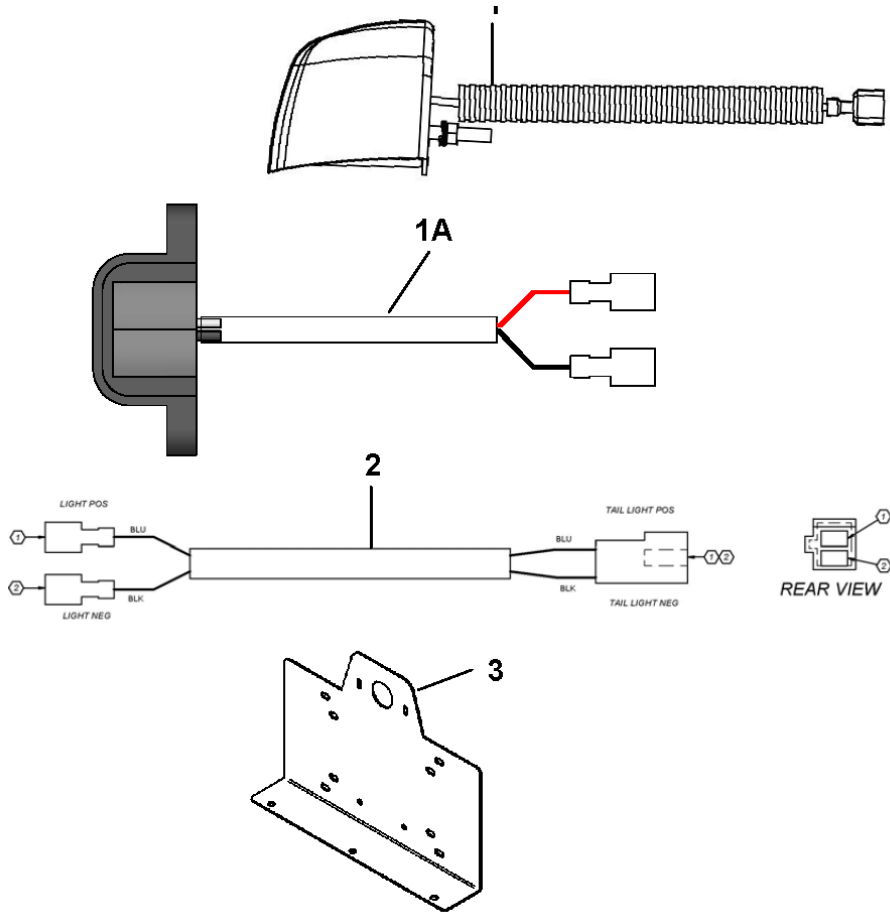
# 115" SUNTOP, BENCH - C6



**115" SUNTOP, BENCH – C6 Cont.**

<b>ITEM</b>	<b>CPC P/N</b>	<b>DESCRIPTION</b>	<b>QTY</b>	<b>SEATS P/N</b>
1	89690-98	SUNTOP 115"	1	465072
2	89406-98	FRONT SUNTOP SUPPORT	2	510333
3	89537-96	SUNTOP TUBE BRACKET	2	510318
4	3991	SCREW 5/16-18 X 7/8" HEX	4	719643
5	6000-B	WASHER, ¼ W, PLAIN	20	719771
6	7739	LOCKNUT. 5/16-18 NYLOK	12	719892
7	4720-B	SCREW, 3/8-16 X 3/4" BLACK	2	719696
8	7778	LOCKNUT. 3/8-16 NYLOK	2	719902
9	2872-W	SCREW, ¼-20 X 1 ¼ HEX	12	719593
10	6703-B	WASHER, ¼ N-PLAIN	48	719811
11	89463-96	SUPPORT PLATE	6	509212
12	7692	NUT, 1/4-20 NYLOCK	24	719882
13	5208-B	SCREW,	8	719731
14*	89403-96	REAR SUNTOP TUBE SUPPORT (RH)	2	510331
15	89400-96	REAR SUNTOP TUBE SUPPORT (LH)	2	510332
16	11433	PLUG FINISH, 7/8"	6	719526
17	6346	WASHER, NYLON	4	719791
18	5713	SPACER, .3/8 ID X 27/32 LONG	4	510322
19	3993	SCREW, 1/4-20X1 1/4 HHC G5	12	719644
N/A	89330-96A	KIT, 115" SUNTOP BENCH	1	191020U

## LICENSE PLATE LIGHT & REFLECTORS – C6



ITEM	CPC P/N	DESCRIPTION	QTY	SEATS P/N
1	68027-04	LICENSE LIGHT (See Note 1)	1	719326
1A	69008-19	LICENSE LIGHT (See Note 2)	1	467887
2	69007-02	LICENSE LIGHT WIRE HARNESS	1	709823
*	68572-03	FRONT AMBER REFLECTOR 2 3/4X1 3/4	2	719336
*	68573-03	REAR RED REFLECTOR 4 5/16X13/16	4	719337
3	68026-04	LICENSE PLATE BRACKET	1	509726EP

\* NOT SHOWN

\*\* SPECIAL ORDER

**NOTE:**

1. If replacing this light order Kit 68027-04A, License Plate Light Retrofit
2. Vehicles produced after 8/2012 use this light.

## SUNTOP HEATER – C6

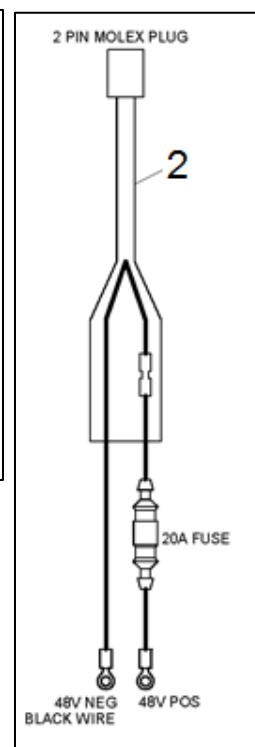
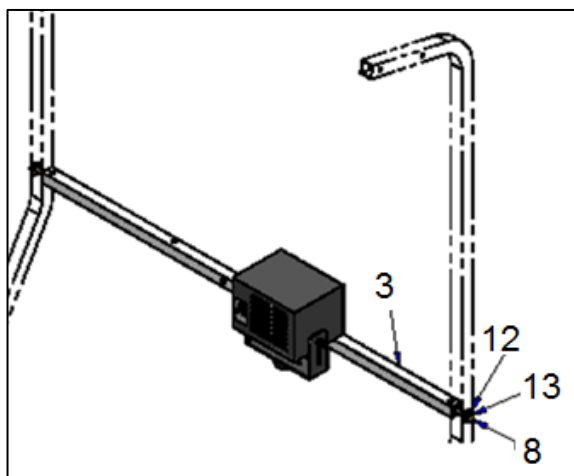
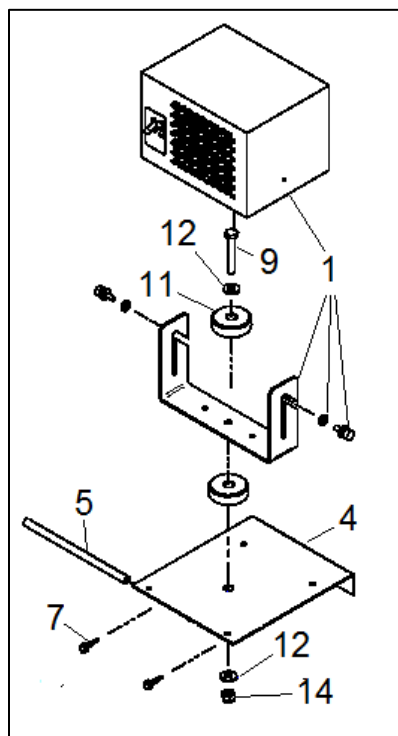
ITEM	CPC P/N	DESCRIPTION	QTY	SEATS P/N
1	65199-11	HEATER 48V	1	467801
2	**69936-15	HEATER HARNESS ASSEMBLY 48V	1	467803
3	57974-02	WINDSHIELD WIPER BAR	1	307119
4	51150-11	DOME LIGHT MOUNT	1	510315
5	29284-04	MOLDING, BLACK 5.50"	1	719355
6*	10043	CABLE, TIE	6	719504
7	2653-B	SCREW, #10X3/4 HWH, TEK	2	719583
8	**57111-11	SCREW, 5/16-18X1 1/2	2	781924
9	3454-BS	SCREW, 1/4-20X1 3/4, HHCS, G5	1	719623
10	6000-B	WASHER, 5/16 USS, STD	2	719771
11	**52329-85	WASHER, .375X1.5X.5 F/W, NYLON	2	719737
12	6703-B	WASHER, 1/4 F/W, SAE, STL	2	719811
13	**7041-8	WASHER, 5/16, REG-SPRG, LOCK	2	719838
14	7686	NUT, 1/4-20 NYLOCK	1	719879

\* NOT SHOWN

\*\*ITEMS NOT USED WITH VEHICLES HAVING WINDSHIELD WIPERS

**NOTE:**

1. If the toggle switch is in the Fan/Heat position and no heat is occurring, a circuit reset may be needed. On a heater side panel is a 3/8" hole. Inside is a circuit reset tab. Using a non-conductive device push the tab to reset the circuit.
2. This heater/harness is not interchangeable with heater/harness installed on vehicles prior to 8/10/2010. Connect black wire to 48V negative and red wire to 48V positive.
3. If previous heater had a three (3) wire harness, a new two (2) wire harness (Item 2) is required.





**Columbia ParCar Corp.**

1115 Commercial Avenue • Reedsburg, WI 53959  
Phone: (608) 524-8888 • (800) 222-4653 • Web: [www.parcar.com](http://www.parcar.com)